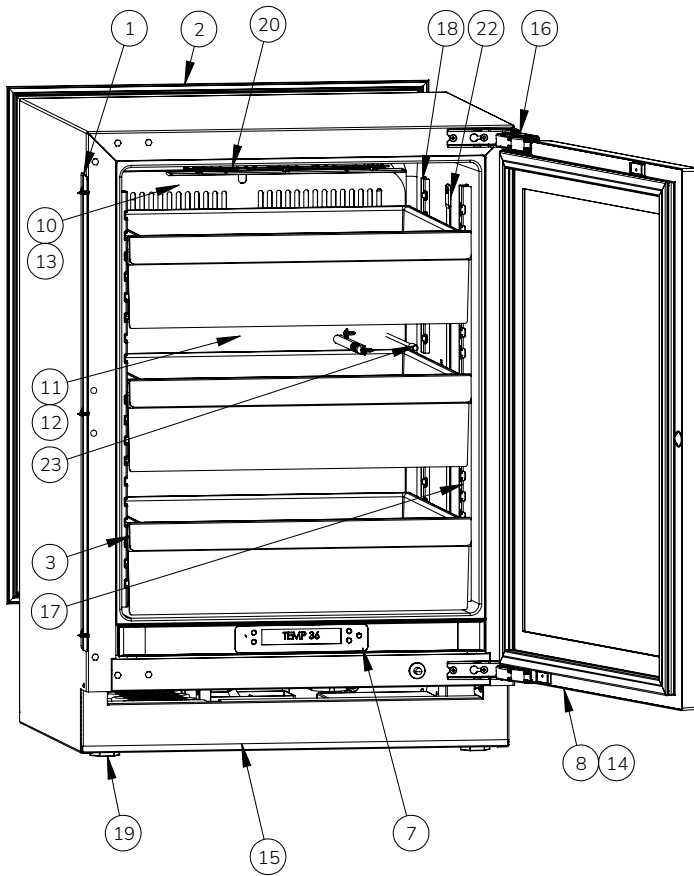


USER GUIDE

Parts



| URRE424-IG01A | | |
|---------------|--|-------------|
| Item | Description | Part Number |
| 1 | ANTI-TIP BRACKETS, BLACK | 90-54215-00 |
| 2 | BACK PANEL ASSY, 24" | 90-54214-00 |
| 3 | BIN ASSEMBLY, 24" | 90-54218-24 |
| 4 | COMPRESSOR ASSY - FMSA4C (115V SERIAL) | 90-54214-03 |
| 5 | CONDENSER ASSY - 24" | 90-54215-01 |
| 6 | CONDENSER FAN ASSY, PX, STANDARD | 90-54214-01 |
| 7 | CONTROL ASSY - USER INTERFACE 24" | 90-54215-08 |
| 8 | DOOR ASSY, 24", INT., 2X GLASS | 90-54214-23 |
| 9 | DRAIN PAN | 90-54214-05 |
| 10 | EVAP COVER 24" | 90-54215-02 |
| 11 | EVAP FAN COVER | 90-54214-12 |
| 12 | EVAPORATOR FAN | 90-54214-13 |
| 13 | EVAPORATOR, BLACK | 90-54215-03 |
| 14 | GASKET, DOOR | 90-54214-25 |
| 15 | GRILLE ASY - ADJUSTABLE, 24" BLACK | 90-54214-24 |
| 16 | HINGE ASSY, DAMPENED, RT LFT | 90-54214-22 |
| 17 | LADDERS, FRONT | 90-54218-00 |
| 18 | LADDERS, REAR 24" | 90-54219-00 |
| 19 | LEG LEVELERS | 90-54158-00 |
| 20 | LIGHT ASSY LED, VYV | 90-54214-16 |
| 21 | MAIN BOARD | 90-54214-02 |
| 22 | RGB LED ASSY, PX, LONG | 90-54215-09 |
| 23 | SELCO THERMISTOR-BLACK | 90-54214-14 |
| 24 | WIRE HARNESS ASSY, STD * | 90-54214-06 |
| 25 | WOOD INTEGRATED KIT * | 90-54214-26 |
| 26 | CARBON FILTER ASSEMBLY-UL* | 90-54224-01 |

*NOT PICTURED

