



<i>EAN code</i>	8034122370613
<i>Model Code</i>	FNVUX36W6SS-R Wall - 36" (90 cm) - Inox - 600 CFM
<i>Collection</i>	Silence - NRS

FEATURES AND PROPERTIES

<i>Materials/Finishes</i>	Scotch brite stainless steel
<i>Lighting</i>	Strip LED Dynamic Light (2700K - 5600K)
<i>Control</i>	Electronic control
<i>Installation type</i>	Wall
<i>Ducting type</i>	External ducting/Recirculating
<i>Filters</i>	Metallic grease filter, removable and washable Baffle filter, removable and dishwasher safe Charcoal filter (optional)
<i>Dimensions</i>	36 in
<i>Features</i>	SRS Speed reduction system NRS technology for a quieter kitchen Automatic cut-off timer

ELECTRICAL CONNECTION AND CONSUMPTION

<i>Maximum consumption</i>	340W
<i>Voltage/Frequency</i>	110-120V 60Hz
<i>Connection type</i>	Hood comes standard with Nema 5-15P power cord

BLOWER PERFORMANCE

Motor 600 CFM

TECNICAL SPECS OF COOKERHOOD WITH 600 CFM NRS MOTOR

Motor Speed	SRS 2*		SRS 3*	
	1	2	3	4
CFM (rated at the motor)	210	295	395	600
Sones (estimated value)	1	2	3	4.25
Duct Size	6"	6"	6"	6"

*If activated SRS has 2 settings; 3 speed max & 2 speed max

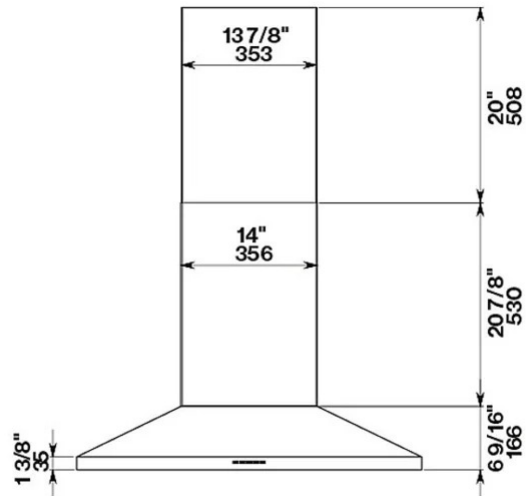
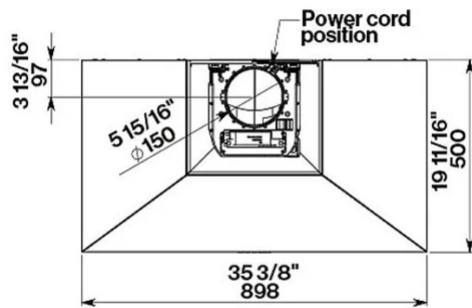
WEIGHTS AND DIMENSIONS

Gross weight 78 lbs

Net weight 59 lbs

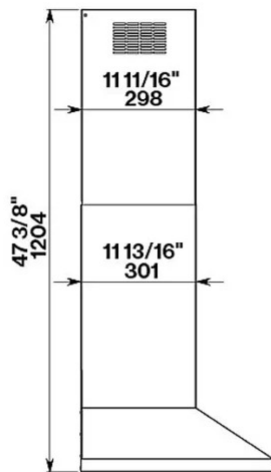
Packaging dimensions L 41 in H 24 in D 30 in

Notes Recommended mounting height from cooking surface to hood bottom: 24" - 35"



Top view

Frontal view



Side view