

ASSEMBLY INSTRUCTIONS
COASTER FINE FURNITURE



Fine Furniture for every stage of life

509672
LOVESEAT

ITEM:509672



ASSEMBLY INSTRUCTIONS

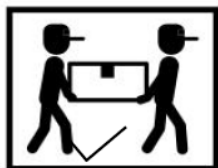
ASSEMBLY TIPS:

- 1.Remove plastic legs from loveseat bottom and sort by size.
- 2.Please check to see that all parts are present prior to start of assembly.
- 3.Please follow attached instruction in the same sequence as numbered to assure fast & easy assembly.



WARNING!

- 1.Don't attempt to repair or modify parts that are broken or defective. Please contact the store immediately.
- 2.This product is for home use only and not intended for commercial establishment.

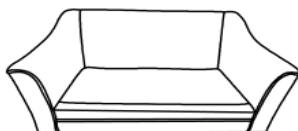


ASSEMBLY TIME

5 MINUTES

PARTS IDENTIFICATION

A BASE



1 PC

B SEAT CUSHION



2PCS

C BACK CUSHION



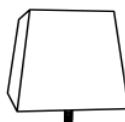
2PCS

D PILLOW



2PCS

E PLASTIC LEG



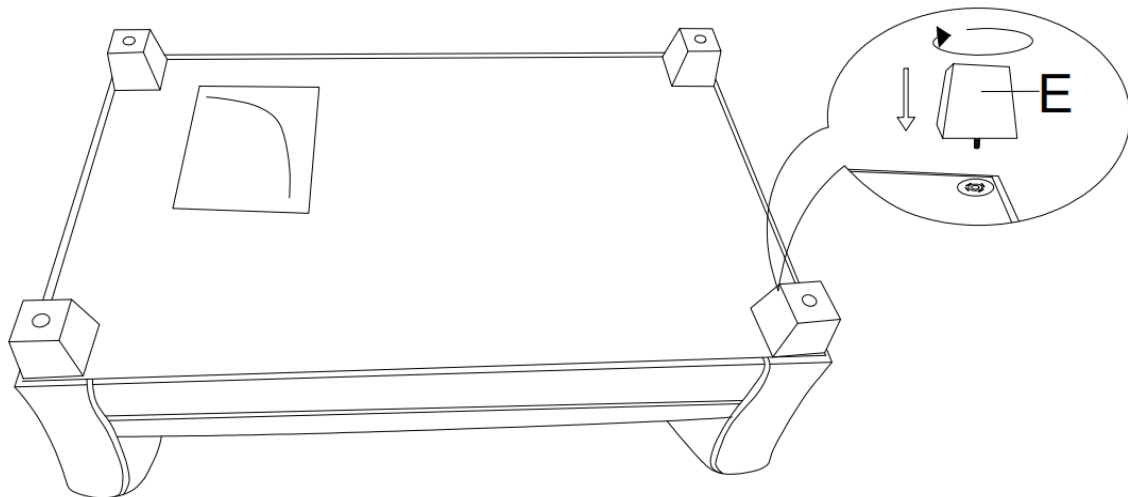
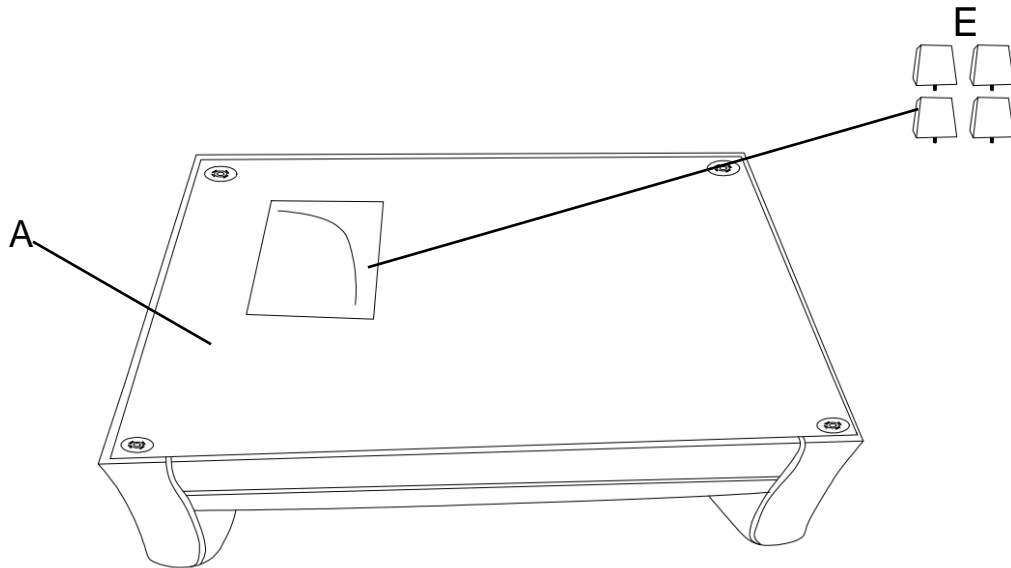
4PCS

ITEM: **509672**

ASSEMBLY INSTRUCTIONS



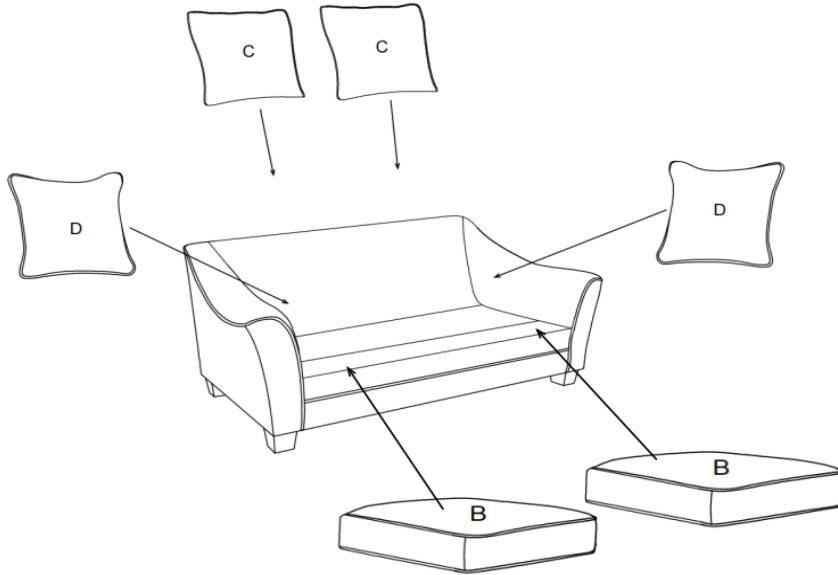
STEP 1



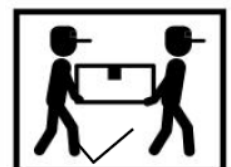
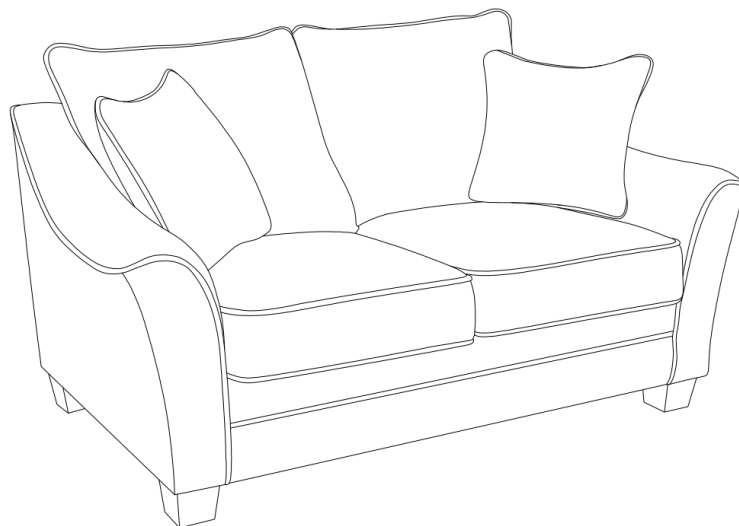
ITEM: **509672**

ASSEMBLY INSTRUCTIONS

STEP 2



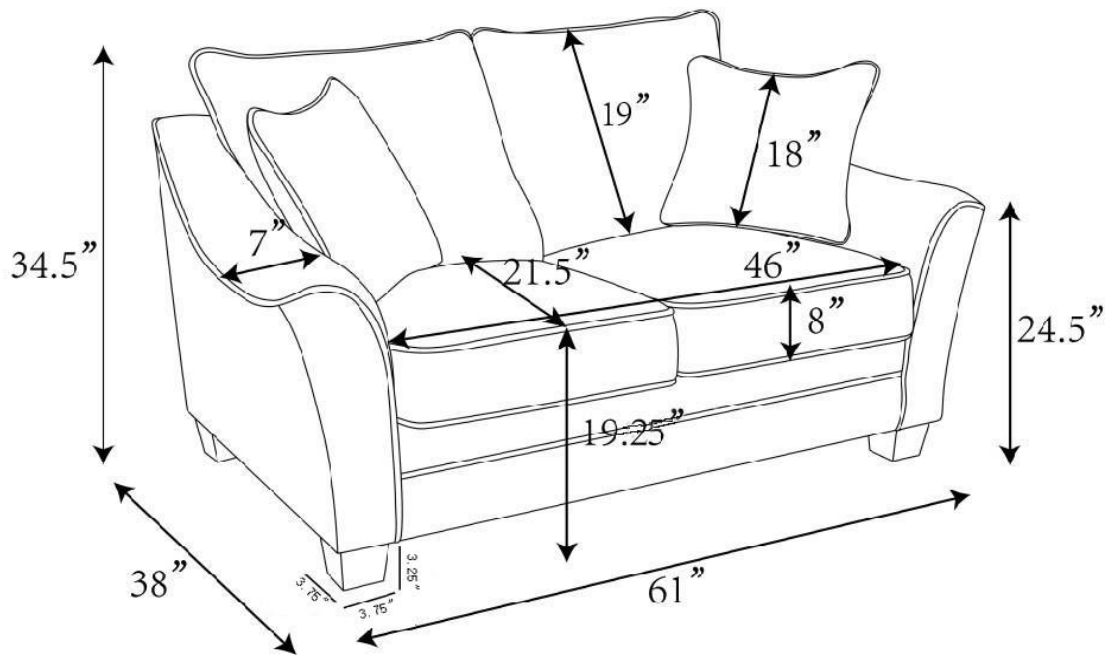
STEP 3 Assembly completed



ITEM:509672



ASSEMBLY INSTRUCTIONS



Note: Dimension tolerance $\pm 5\%$