

# CLASSIC RANGE SERIES (CDR)

48 in. 6.7 cu. ft. Dual Fuel Range with 8-Burner Gas Cooktop and Electric Double Oven

**ZLINE**  
ATTAINABLE LUXURY®

## CDR48 Stainless Steel

All 48" models come standard with 2 brass dual burners



Satin Stainless Steel



Black Stainless Steel



## GENERAL PROPERTIES

SKUs	CDR48, CDRS-48, CDRB-48
Base Finishes	Stainless Steel, Black Stainless Steel, Satin Stainless Steel
Fuel Type	Convection Electric Oven-Gas Cooktop
Burners	8
Mount Type	Free Standing
Timer	No
Material	430 Grade Stainless Steel
Grates	Professional
Certification	ETL Certified

## DIMENSIONS AND WEIGHT

Product Dimensions	47 7/8" W x 27 3/4" D x 36" H
Cutout Dimensions	48 1/8" W x 24 3/4" D x 36" H
Product Weight	396.70 lb (179.95 kg)

## COOKTOP FEATURES

Burners	(6) Aluminum Burners and (2) Brass Burners
Cooktop	Porcelain With Electronic Spark Ignition For All Burners

## COOKTOP BTU (Electronic Ignition and Auto Re-ignition)

Back Left (Semi-Rapid)	9,000 BTU
Back Right (Rapid)	12,000 BTU
Back Right Middle (Semi-Rapid)	9,000 BTU
Back Left Middle (Rapid)	12,000 BTU
Front Left (Auxiliary)	6,000 BTU
Front Left Middle (Dual)	20,000 BTU
Front Right (Dual)	20,000 BTU
Front Right Middle (Auxiliary)	6,000 BTU

## FEATURES AND BENEFITS

**Italian-Made Auto Re-ignition Burners:** 8 Italian-made gas burners utilize automatic re-ignition innovation for improved temperature control and cooktop safety.

**Landscape Oven Windows:** The Classic Series ranges feature a sleek Landscape oven door design that provides ample viewing space to ensure dishes inside both ovens are perfectly cooked.

**Powerful Convection Cooking:** Handle multiple bakes with ease with a high-speed and high-wattage convection fan that maintains precise heat distribution inside the large oven.

**Dual Function Burners:** 2 Dual Function Burners allow you to simmer at 800 BTU or perfectly sear at 20,000 BTU.

**Dual Fuel Flexibility:** Enjoy the benefits of dual fuel cooking with a high-powered gas cooktop and 2 electric ovens with high-grade heating elements that ensure consistent temperature ranges.

**Large Oven Capacity:** An expansive oven capacity of 6.7 cu. ft. fits pans up to 20 in. wide in the larger oven and 10 in. wide in the smaller oven for maximum space and convenience.

**Premium Oven Insulation:** A 3-layered glass door on both ovens with large viewing windows and aluminum mesh seals offer superior heat retention and consistent temperatures.

**Smooth Glide Ball-Bearing Oven Racks:** 4 durable ball bearing racks, 2 inside each oven, provide extra convenience and ease when working with larger dishes.

**LP Conversion Kit:** Comes equipped with an LP conversion kit to convert from natural gas to liquid propane (must be done by a professional), offering versatility with your cooking preference.

## OVEN FEATURES

(Lg) Interior Dimensions	24 7/8" W x 17 3/4" D x 16" H
(Sm) Interior Dimensions	13 3/8" W x 17 3/4" D x 16" H
Self-Clean	No
Oven Lighting	(3) Halogen
Oven Features	Bake, Broil, Convection Bake
Convection Fan	Yes (Large Oven Only)
Number of Racks	4
Child Lock	No

## OVEN WATTAGE

(Lg) Broil Output	4200 W
(Lg) Bake Output	3000 W
(Sm) Oven Bake/Broil Output	Bake 1600 W / Broil 2000 W

## ELECTRICAL REQUIREMENTS

240 V / 60 Hz / 35 A Dedicated Circuit

## WARRANTY

**Manufacturing Warranty:** 1-year parts and labor.

**Italian Burners and Spark Tips:** Limited Lifetime Warranty.

*Limited Lifetime includes: parts replacements for burners, burner caps, and parts and labor for the spark tip if parts prove to be defective in materials or workmanship.*

*\*Appliance protection plans sold separately, contact for more information.*

**Not the right fit?** [Click here](#) to view our range collections.

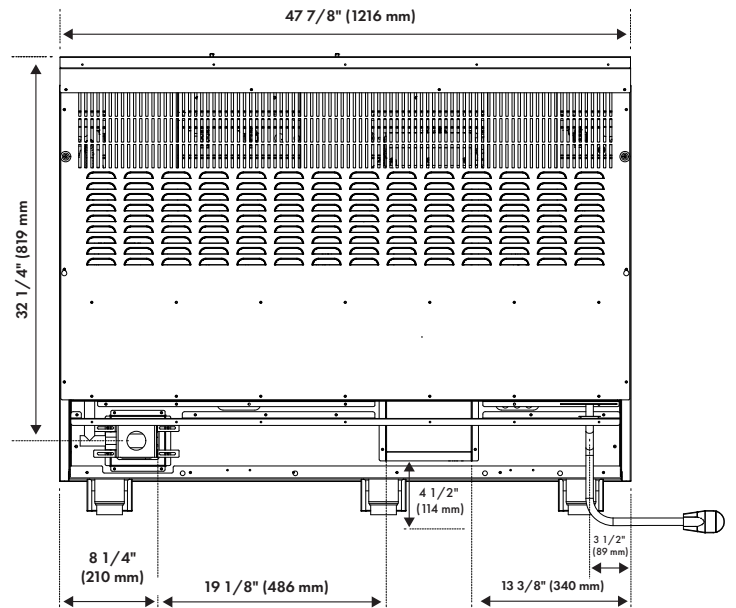
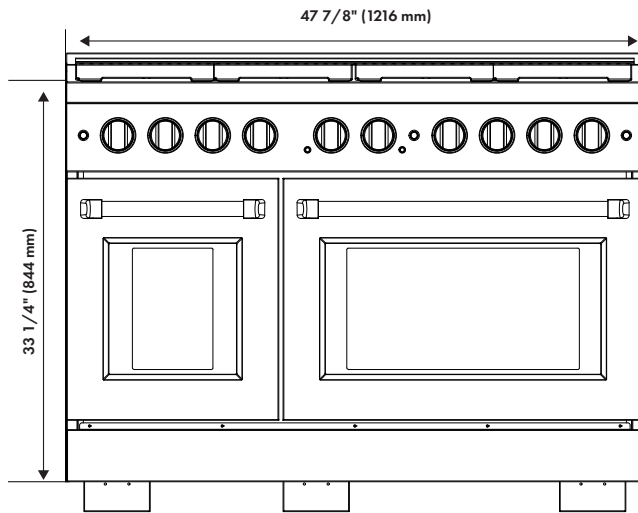
# CLASSIC RANGE SERIES (CDR)

48 in. 6.7 cu. ft. Dual Fuel Range with 8-Burner Gas Cooktop and Electric Double Oven

**ZLINE**  
ATTAINABLE LUXURY®

FRONT VIEW

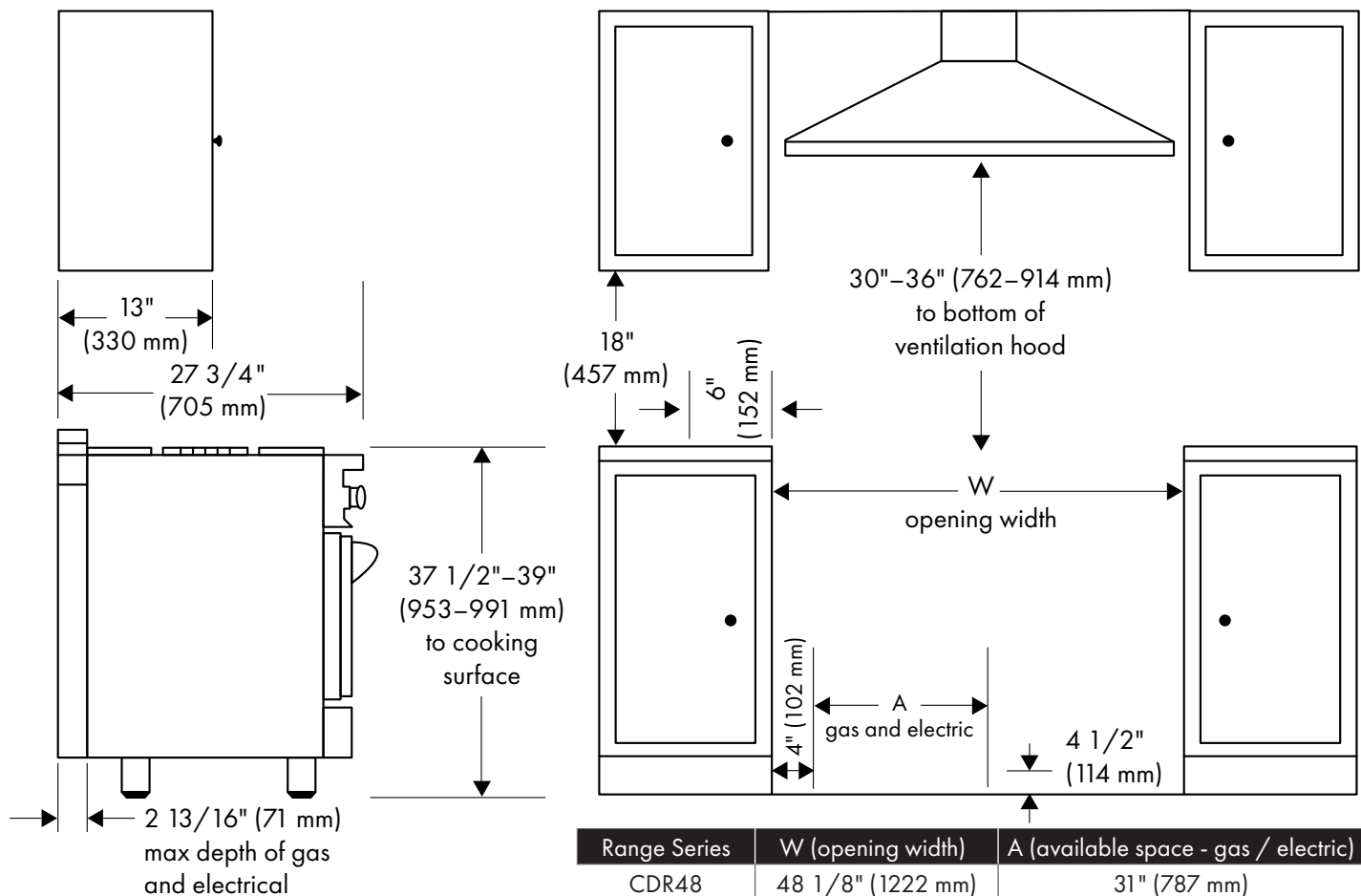
BACK VIEW



## INSTALLATION RESOURCES

Installation / User Manual

[Click Here](#)



# AUTOGRAPH EDITION

*Andrew Zuro*

Satin Stainless Steel  
With Matte Black Accents



### SATIN STAINLESS STEEL

Polished Gold	CDRSZ-48-G
Champagne Bronze	CDRSZ-48-CB
Matte Black	CDRSZ-48-MB

Stainless Steel With  
Champagne Bronze Accents



### STAINLESS STEEL

Polished Gold	CDRZ-48-G
Champagne Bronze	CDRZ-48-CB
Matte Black	CDRZ-48-MB

Black Stainless Steel With  
Polished Gold Accents



### BLACK STAINLESS STEEL

Polished Gold	CDRBZ-48-G
Champagne Bronze	CDRBZ-48-CB

## AUTOGRAPH EDITION + COLORED DOORS

Stainless Steel With White Matte  
Doors And Black Matte Accents



### STAINLESS STEEL WITH WHITE MATTE DOORS

Polished Gold	CDRZ-WM-48-G
Champagne Bronze	CDRZ-WM-48-CB
Matte Black	CDRZ-WM-48--MB

Stainless Steel With Black Matte  
Doors And Champagne Bronze Accents



### STAINLESS STEEL WITH BLACK MATTE DOORS

Polished Gold	CDRZ-BLM-48-G
Champagne Bronze	CDRZ-BLM-48-CB

### SATIN STAINLESS STEEL WITH WHITE MATTE DOORS

Polished Gold	CDRSZ-WM-48-G
Champagne Bronze	CDRSZ-WM-48-CB
Matte Black	CDRSZ-WM-48-MB

### SATIN STAINLESS STEEL WITH BLACK MATTE DOORS

Polished Gold	CDRSZ-BLM-48-G
Champagne Bronze	CDRSZ-BLM-48-CB

## AUTOGRAPH ACCENT COLORS

Autograph Edition Includes:  
Brass Burners, Autograph Edition Knobs, Knob Rings, 2 Handles and 3 Feet Covers.

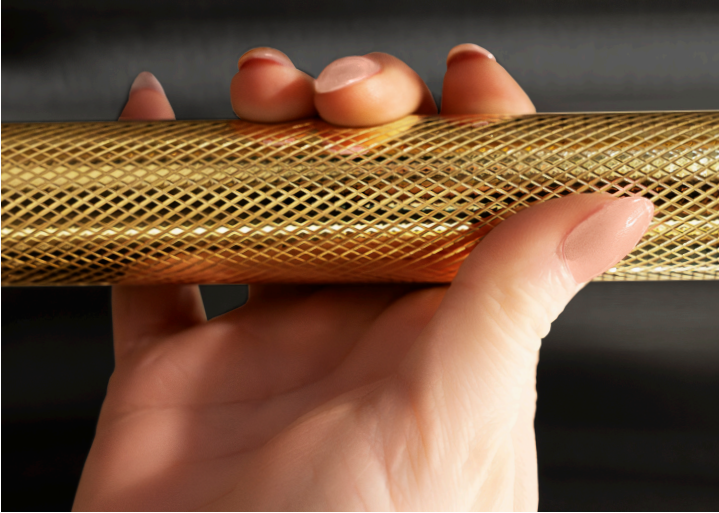


## BASE FINISHES



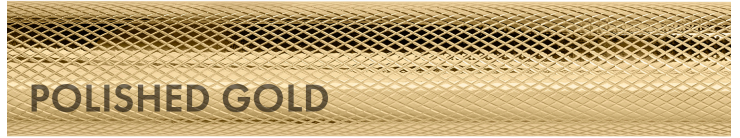
# AUTOGRAPH EDITION

*Andrew Ferro*



Helix Handles:

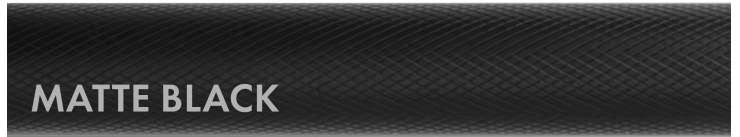
Not offered as a range bundle SKU. Handles must be purchased separately.



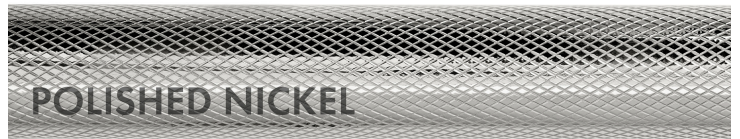
**POLISHED GOLD**



**CHAMPAGNE BRONZE**



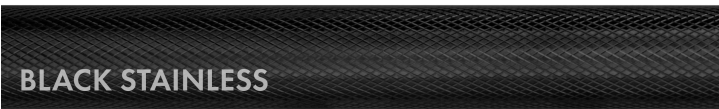
**MATTE BLACK**



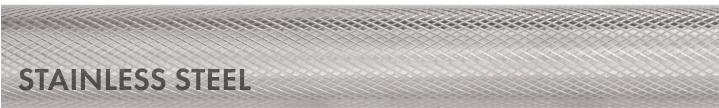
**POLISHED NICKEL**

## STANDARD HELIX HANDLE SET (SET OF 2)

Black Stainless Steel Helix Handles	SGZ-054-K-BS-48
Stainless Steel Helix Handles	SGZ-054-K-ST-48



**BLACK STAINLESS**



**STAINLESS STEEL**

## AUTOGRAPH HELIX HANDLE (SET OF 2)

Polished Gold Helix Handles	SGZ-054-K-G-48
Champagne Bronze Helix Handles	SGZ-054-K-CB-48
Matte Black Helix Handles	SGZ-054-K-MB-48
Polished Nickel Helix Handles	SGZ-054-K-PN-48

## RANGE + COLORED DOORS

Stainless Steel  
With White Matte Doors



### STAINLESS STEEL

Black Matte Doors	CDR-BLM-48
White Matte Doors	CDR-WM-48

Satin Stainless Steel  
With Black Matte Doors



### SATIN STAINLESS STEEL

Black Matte Door	CDRS-BLM-48
White Matte Door	CDRS-WM-48

## BRASS BURNER BUNDLE

Stainless Steel  
With Brass Burners



### STAINLESS STEEL

Stainless Steel	CDR-BR-48
Black Stainless Steel	CDRB-BR-48

Set of 8 Italian  
Brass Burners



### SATIN STAINLESS STEEL

Satin Stainless Steel	CDRS-BR-48
-----------------------	------------

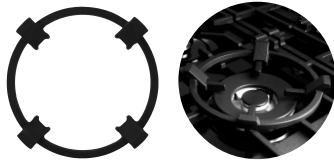
\*Assembly Required: Colored doors will ship separately

\*Assembly Required: Brass burners will ship separately

# ZLINE KITCHEN ACCESSORIES

Range + Kitchen Compatible Accessories

**ZLINE**  
ATTAINABLE LUXURY®



Cooktop Wok Ring | RA-005A



Cleaner/Polish | STCLT-8



Reversible Cast Iron Griddle | SR-GRNS



German Steel  
15 Piece Knife Set | KSETT-GS-15



German Steel  
3 Piece Knife Set | KSETT-GS-3



Japanese Damascus  
3 Piece Knife Set | KSETT-JD-3



10-Piece  
Stainless Steel  
Cookware Set | CWSETL-ST-10



10-Piece Stainless  
Steel and Ceramic  
Cookware Set | CWSETL-NS-10



5-Piece Black  
Matte Enameled  
Cast Iron Set | CWSETS-BLM-5



5-Piece White  
Matte Enameled  
Cast Iron Set | CWSETS-WM-5

## CONTACT INFORMATION



### PHONE

**Customer Service**  
1-614-777-5004

**Dealer Assistance**  
1-833-597-2461



### HOURS OF OPERATION

**Customer Service**  
Monday–Friday 6:00am–4:30pm CST

**Dealer Assistance**  
Monday–Friday 7:00am–4:00pm CST



### EMAIL

**Customer Service**  
contact@zlinekitchen.com

**Dealer Assistance**  
dealer@zlinekitchen.com