

# 30-Inch Double Wall Oven with Steam

## TRANSITIONAL

**dacor**



**DOB30T977DS/DA** - Silver Stainless

### Features & Benefits

- Steam-Assist oven
- Dual Four-Part Pure Convection system
- BrightVue™ LED & halogen lighting
- 7-inch LCD control panel with SmartThings Wi-Fi connectivity
- Chef Mode guided cooking
- Digital temperature probe
- Self-clean oven
- SoftShut™ hinges

### Controls

<b>CONTROL TYPE</b>	7" LCD Touchscreen & Knobs
<b>CHEF MODE GUIDED COOKING</b>	Yes
<b>NUMBER OF KNOBS</b>	4
<b>ILLUMINA™ KNOBS</b>	White
<b>WI-FI + SMARTTHINGS</b>	Yes
<b>CLOCK</b>	Yes
<b>DELAY START</b>	Yes
<b>KITCHEN TIMER</b>	Yes
<b>CHILD LOCK</b>	Yes
<b>SABBATH MODE</b>	Yes

### Steam Oven

<b>OVEN CAPACITY (CU. FT.)</b>	4.8 (Upper) / 4.8 (Lower)
<b>CONVECTION</b>	Dual Four-Part Pure (Upper & Lower)
<b>STEAM</b>	Steam-Assist (Upper)
<b>BAKE ELEMENT</b>	3,000W - 8 Pass
<b>BROIL ELEMENT</b>	4,400W - 10 Pass
<b>CONVECTION ELEMENT</b>	2 x 1,300W
<b>INSTANTHEAT™ (NO PREHEAT)</b>	Yes
<b>TEMPERATURE PROBE</b>	Yes
<b>LIGHTING</b>	BrightVue™ - LED & Halogen
<b>SELF-CLEAN</b>	Self-Clean, GreenClean™
<b>SOFTSHUT™</b>	Yes

### Weights & Dimensions

<b>NET WEIGHT (LBS.)</b>	149
<b>SHIPPING WEIGHT (LBS.)</b>	165
<b>PRODUCT DIMENSIONS (W X H X D IN INCHES)</b>	29 ¾ x 51 ½ x 24 ½
<b>STANDARD CUTOUT REQUIRED (W X H X D IN INCHES)</b>	28 ½ x 50 ¼ x 23 ½
<b>FLUSH CUTOUT REQUIRED (W X H X D IN INCHES)</b>	30 ¼ x 51 ¾ x 24 ¾

### Technical Details

<b>ELECTRICAL REQUIREMENT</b>	240/208V, 60 Hz, 50A
-------------------------------	----------------------

### Warranty

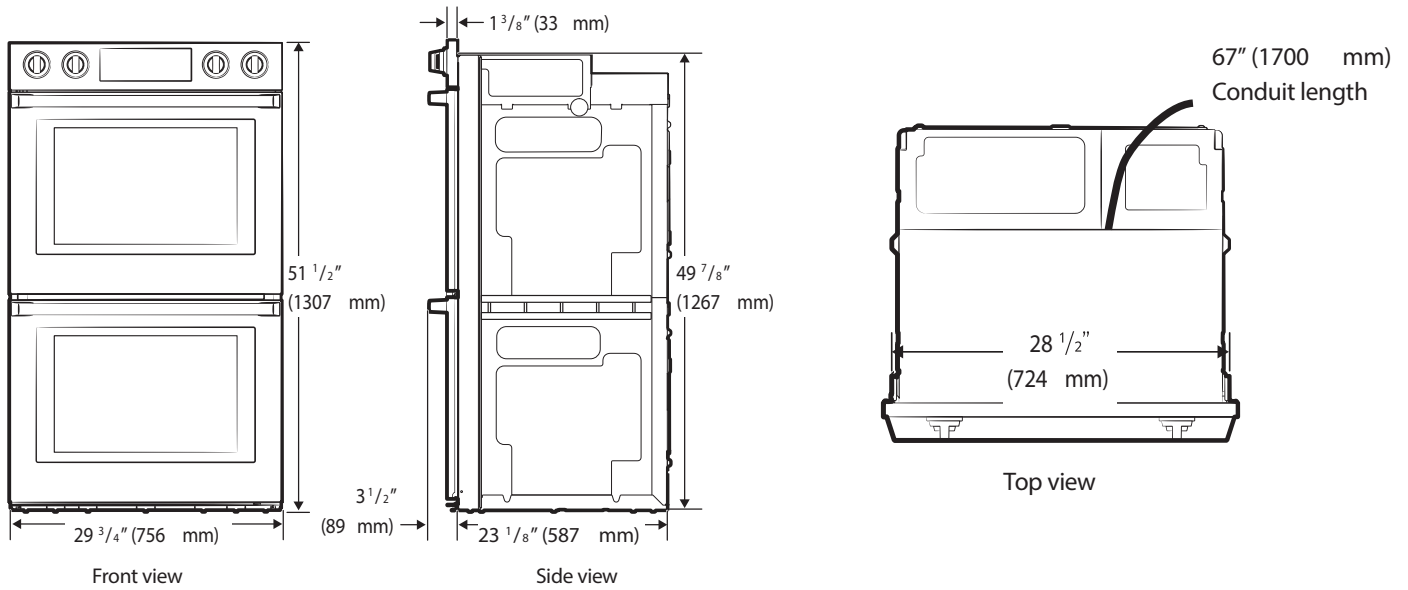
<b>FULL COVERAGE</b>	2 Years
----------------------	---------

# 30-Inch Double Wall Oven with Steam

## TRANSITIONAL

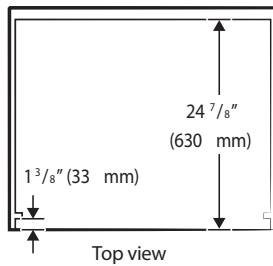


### Product Dimensions



### Installation Cutout Dimensions (Flush)

Allow a minimum of 22" for clearance to adjacent corners, drawers, walls, etc. when door is open.



### Installation Cutout Dimensions (Standard)

