

K 2902 Vi

MasterCool™ refrigerator

For high-end design and technology on a large scale.



EAN: 4002516321828 / material number: 11502710

- Push2open for convenient door-opening assistance
- Food stays fresh for up to 3 x longer thanks to SmartFresh
- Light floods the interior thanks to LED elements – BrilliantLight
- Communication with the machine could not be easier – WiFi Conn@ct
- Convenient control thanks to color touch display MasterSensor

Appliance category	
Fridge	•
Construction type	
Built-in	•
Built-in integrated	•
Door hinge side	right
Convertible hinging	•
Can be installed side-by-side	•
Design	
Lighting	BrilliantLight
Control panel	
Freshness system	MasterFresh
ComfortClean	•
DynaCool	•
SoftClose door closing damper	•
SelfClose	•
Push2open	•
FullAccess	•
EasyClean	•
MaxLoad hinge	•
Control	
Electronic temperature display and control	MasterSensor
Super Cooling	•
No. of temperature zones	2
Sabbath mode	•
Fridge / Fridge compartment	
Height-adjustable toughened glass shelves	2
No. of removable fruit and vegetable drawers	1
No. of PerfectFresh drawers	2
SlidingShelf	•
Door rack for tins	1
Inner door racks for bottles	3
Efficiency and sustainability	
Energy Star Qualified	•
Appliance networking	
Miele@home	•
WiFiConn@ct	•
MobileControl	•
Safety	
Lock function	•
Overflow protection	•
Acoustic door alarm	•
Acoustic temperature alarm, freezer section	•
Optical door alarm	•
Optical temperature alarm	•

More information at www.MieleUSA.com

For further information please see next page...

K 2902 Vi

MasterCool™ refrigerator

For high-end design and technology on a large scale.

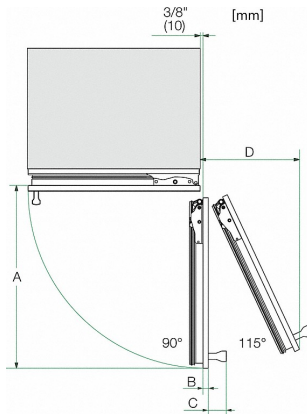


Technical data	
Appliance width in in.(mm)	35 3/4 (908)
Appliance height in in.(mm)	83 3/4 (2,127)
Appliance depth in in.(mm)	24 (608)
Weight in lbs.(kg)	397 (180.00)
Maximum fridge compartment door front weight in lbs. (kg)	82 (37)
Fridge compartment volume in l	582
Freezing capacity in h/lbs. (h/kg)	0 (0.0)
Current consumption in milliampere (mA)	4,000
Voltage in V	120
Fuse rating in A	10
Wire length in ft (m)	9 (3.0)
Standard accessories	
Active AirClean filter	•

K 2902 Vi

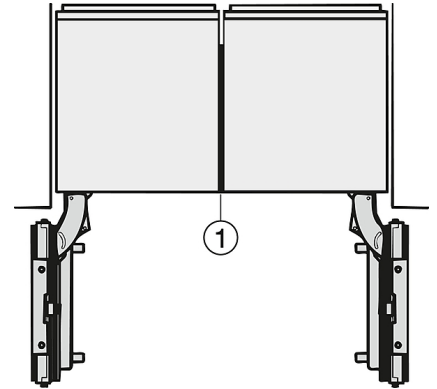
MasterCool™ refrigerator

For high-end design and technology on a large scale.



Opening angle 90°/115°, right side stop, MasterCool (Sketch) *footnote

- A) Appliance door width
- F 2461 Vi: 525 mm (20 2/3 inch);
- F 2462 Vi: 525 mm (20 2/3 inch);
- K 2601 Vi, K 2601 SF, F 2661 Vi, KWT 2601 Vi, KWT 2601 SF, KWT 2661 ViS, KWT 2661 SFS: 677 mm (26 2/3 inch);
- K 2602 Vi, K 2602 SF, F 2662 Vi, KWT 2602 Vi, KWT 2602 SF, KWT 2662 ViS, KWT 2662 SFS: 677 mm (26 2/3 inch);
- K 2801 Vi, K 2801 SF, F 2801 Vi, KF 2801 Vi, KF 2801 SF: 829 mm (32 2/3 inch);
- K 2802 Vi, K 2802 SF, F 2802 Vi, KF 2802 Vi, KF 2802 SF: 829 mm (32 2/3 inch);
- K 2901 Vi, K 2901 SF, F 2901 Vi, KF 2901 Vi, KF 2901 SF: 982 mm (38 2/3 inch);
- K 2902 Vi, K 2902 SF, F 2902 Vi, KF 2902 Vi, KF 2902 SF: 982 mm (38 2/3 inch);
- B) Furniture front (max. 38 mm) (1 1/2 inch)
- C) Door handle
- D) Distance door to wall (without furniture front and door handle):
- F 2461 Vi: 237 mm (9 1/3 inch);
- F 2462 Vi: 237 mm (9 1/3 inch);
- K 2601 Vi, K 2601 SF, F 2661 Vi, KWT 2601 Vi, KWT 2601 SF, KWT 2661 ViS, KWT 2661 SFS: 296 mm (11 2/3 inch);
- K 2602 Vi, K 2602 SF, F 2662 Vi, KWT 2602 Vi, KWT 2602 SF, KWT 2662 ViS, KWT 2662 SFS: 296 mm (11 2/3 inch);
- K 2801 Vi, K 2801 SF, F 2801 Vi, KF 2801 Vi, KF 2801 SF: 363 mm (14 1/3 inch);
- K 2802 Vi, K 2802 SF, F 2802 Vi, KF 2802 Vi, KF 2802 SF: 363 mm (14 1/3 inch)
- K 2901 Vi, K 2901 SF, F 2901 Vi, KF 2901 Vi, KF 2901 SF: 428 mm (16 7/8 inch)
- K 2902 Vi, K 2902 SF, F 2902 Vi, KF 2902 Vi, KF 2902 SF: 428 mm (16 7/8 inch)
- E) ONLY valid for SF versions: A + 25 mm (1 inch)



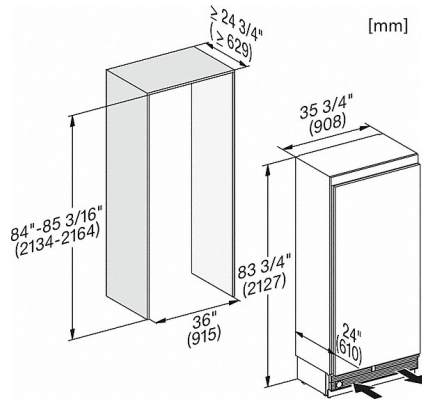
Side-by-side, MasterCool, without partition wall, with heating mat (Sketch) (with footnote)

- 1) Heating mat KSK 2001 (EU, AUS, CN) or KSK 2002 (US, CA, MX, BR)

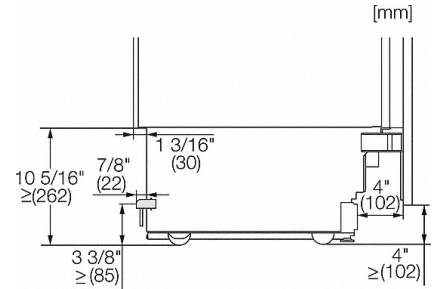
K 2902 Vi

MasterCool™ refrigerator

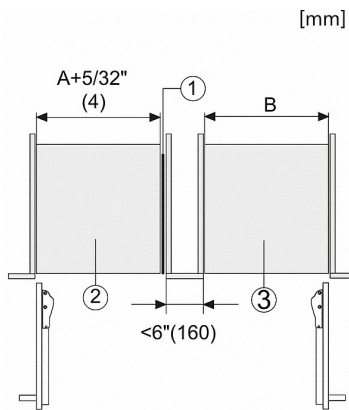
For high-end design and technology on a large scale.



K2902Vi, K2912Vi, F2902Vi, F2912Vi, K2901Vi, K2911Vi, F2901Vi, F2911Vi, inner space, MasterCool, installation drawings

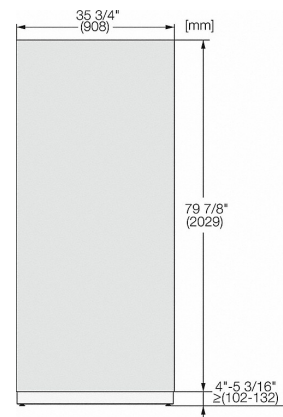


Sideview, MasterCool, Sketch



Side-by-Side, MasterCool, footnote, installation drawings

1. KSK 2001/2002
 2. Device A
 3. Device B
- A = niche device A
B = niche device B

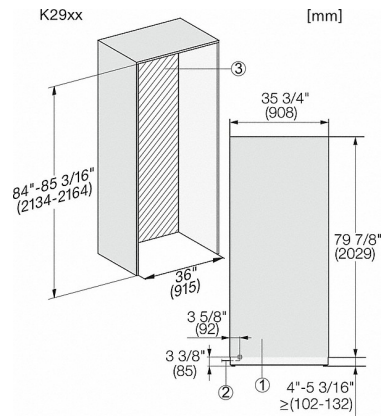


KFP3605ed/cs, KFP3604ed/cs, Front panel, Front dimensions, MasterCool, installation drawings

K 2902 Vi

MasterCool™ refrigerator

For high-end design and technology on a large scale.



K2902Vi, K2902SF, K2912Vi, K2912SF, installation, MasterCool, *footnote, installation drawings

1. View from the front
2. Mains connection cable, L = 3000 mm (118 inch)
3. No water/ELT connections permitted in this area