

**COMPANION OVENS**  
**ACCESSORY 30"/76CM TRIM KIT**

US CA NZ AU

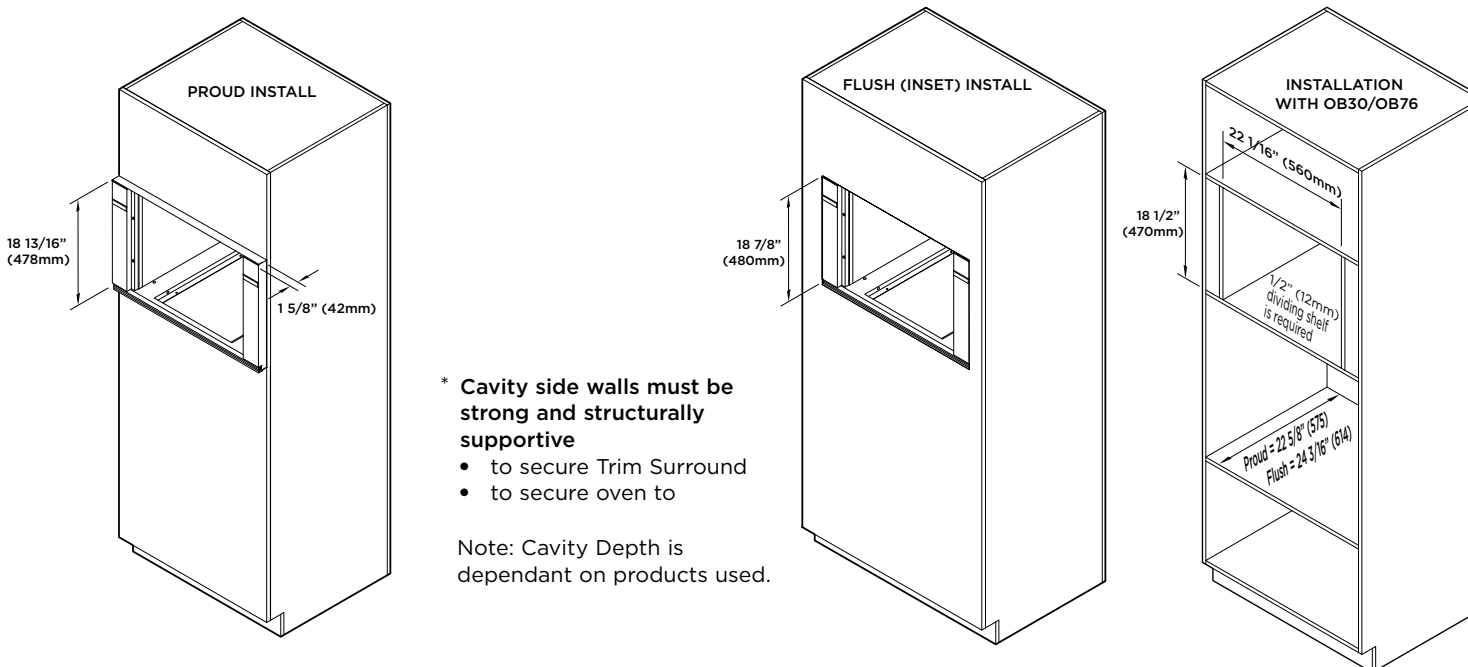
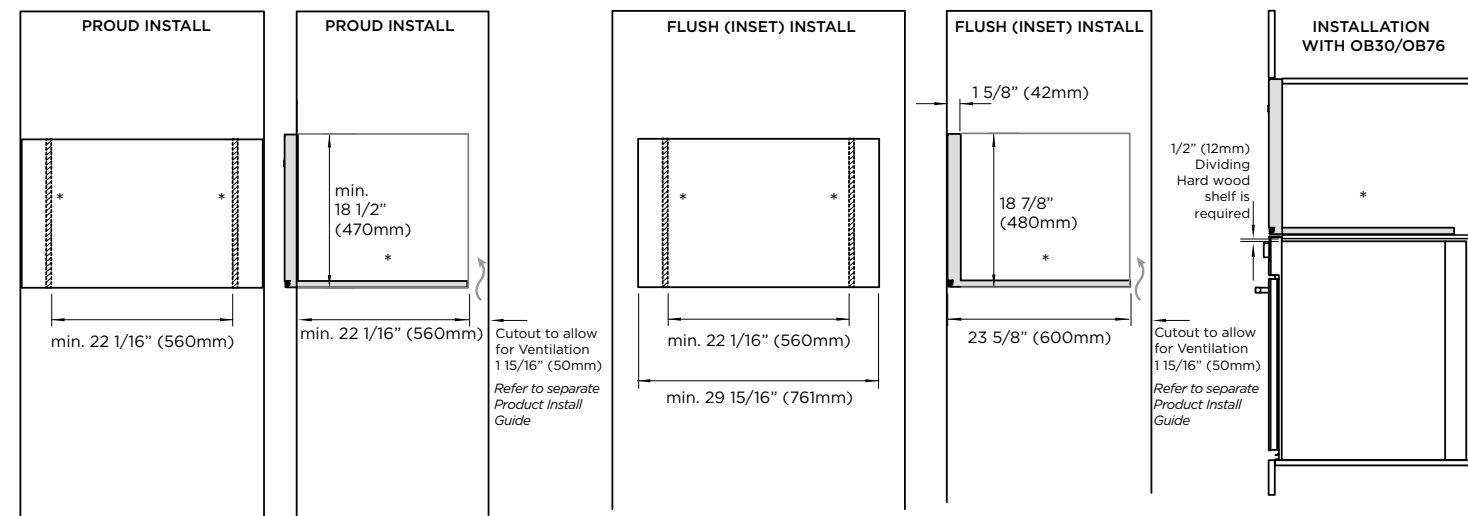
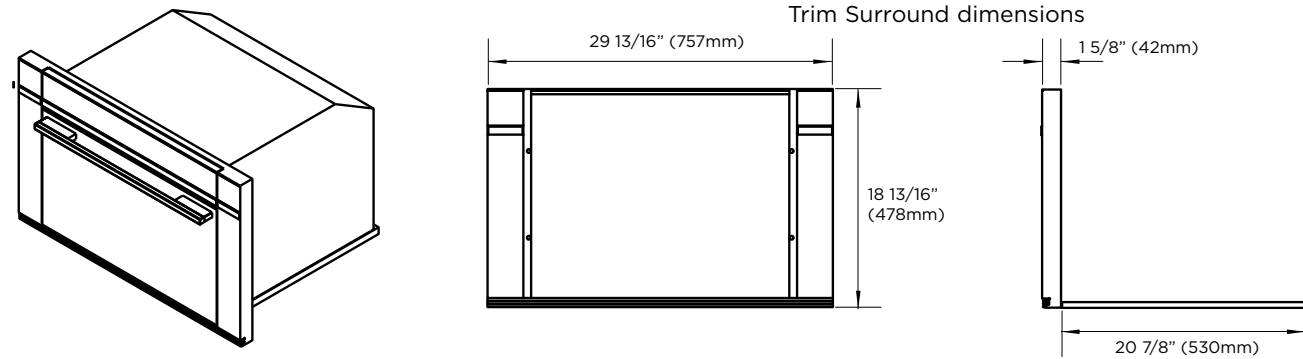
Keep this document handy for easy reference.

- This Trim Kit is designed to complement your companion product if installing into 30" (760mm) wide cabinetry.
- For contact information or if you require service, assistance or replacement parts, see your 'Service & warranty' booklet.

**This Trim Kit is designed to be installed ONLY with the following FISHER & PAYKEL products:**

- Companion Ovens
- or in combination with OB30/OB76 Ovens

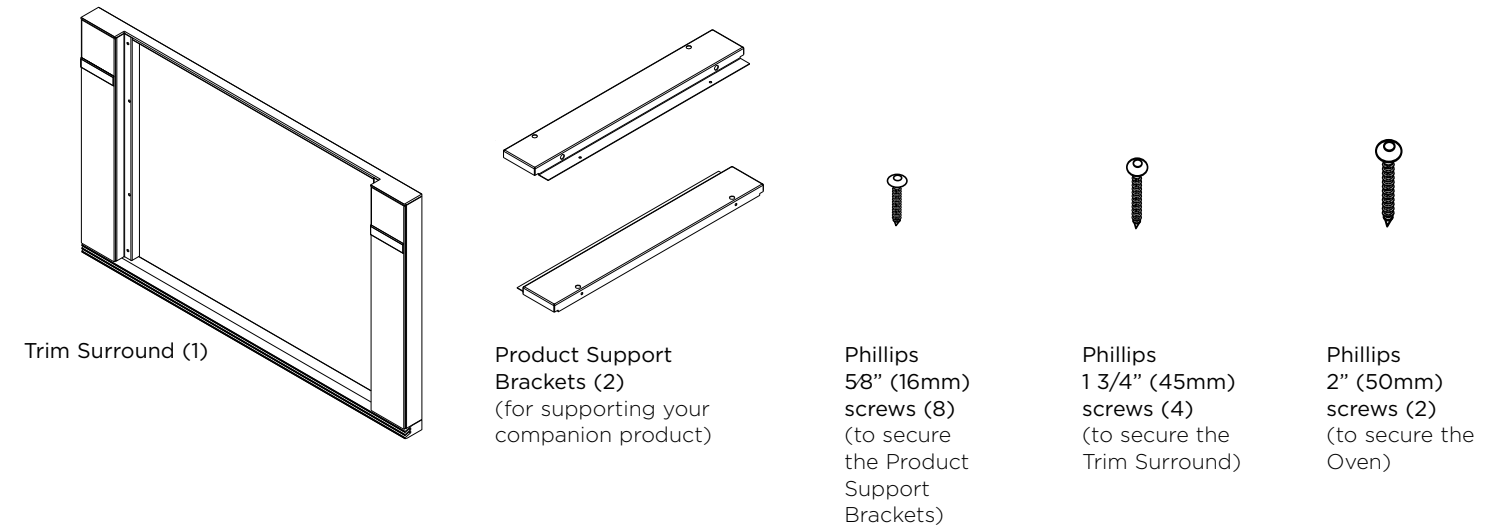
**1 CABINETY SPECIFICATION**



\* Cavity side walls must be strong and structurally supportive

- to secure Trim Surround
- to secure oven to

Note: Cavity Depth is dependant on products used.



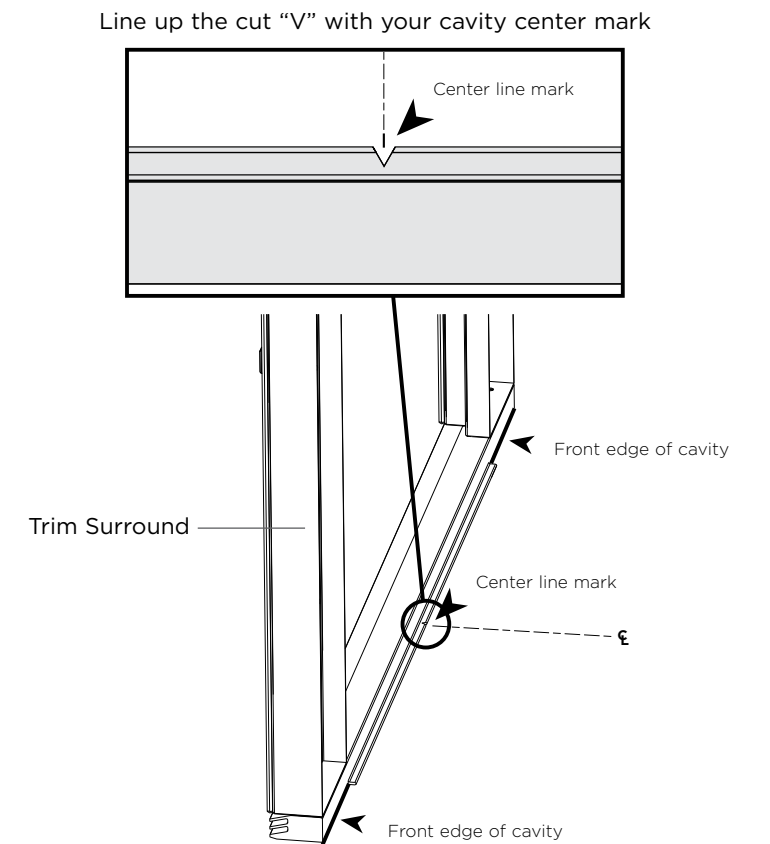
**3 POSITION TRIM SURROUND ON CABINETY**

**IMPORTANT!**

- Ensure all packaging and protective film is removed from the Trim Surround before installing.

- 1 Mark the center of your cavity at the front.
- 2 Mount the Trim Surround with the small lip resting flat on the front edge of the cabinetry shelf.
- 3 Center the Trim Surround by lining up the small cut "V" in the lip with your center mark from Step 1.

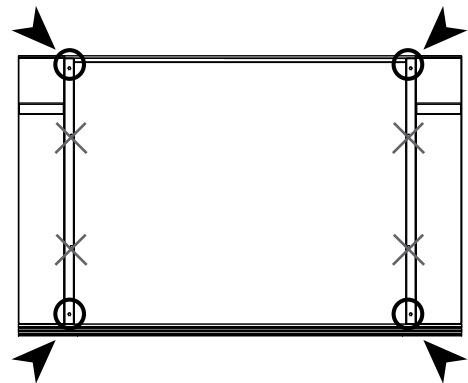
Note: If installing above an Oven, ensure both products are centered and aligned in the cabinetry.



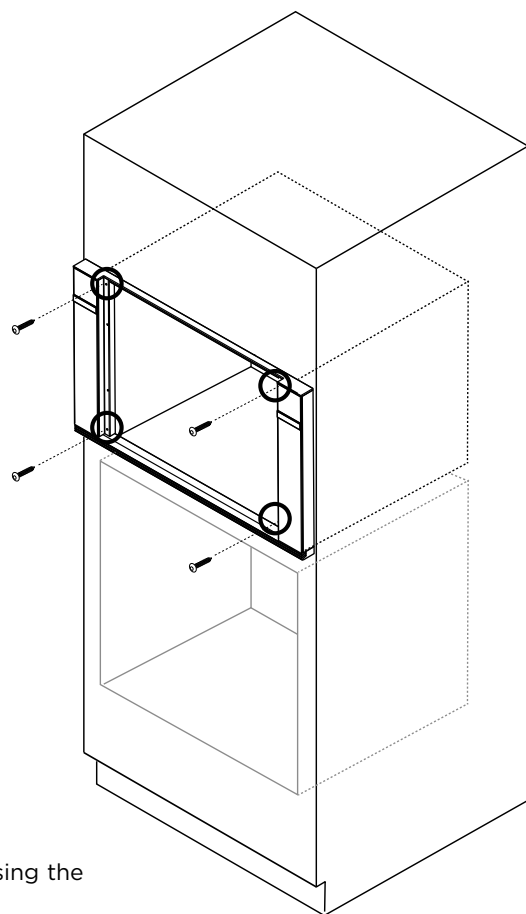
#### 4 SCREW THE TRIM SURROUND ONTO THE CABINETRY

Using the 4 supplied screws, secure the Trim Surround to the cabinetry in the correct hole positions, as shown. Pre-drill as necessary to avoid splitting the wood.

**IMPORTANT!**  
Do not screw through either center holes in the Trim Surround.

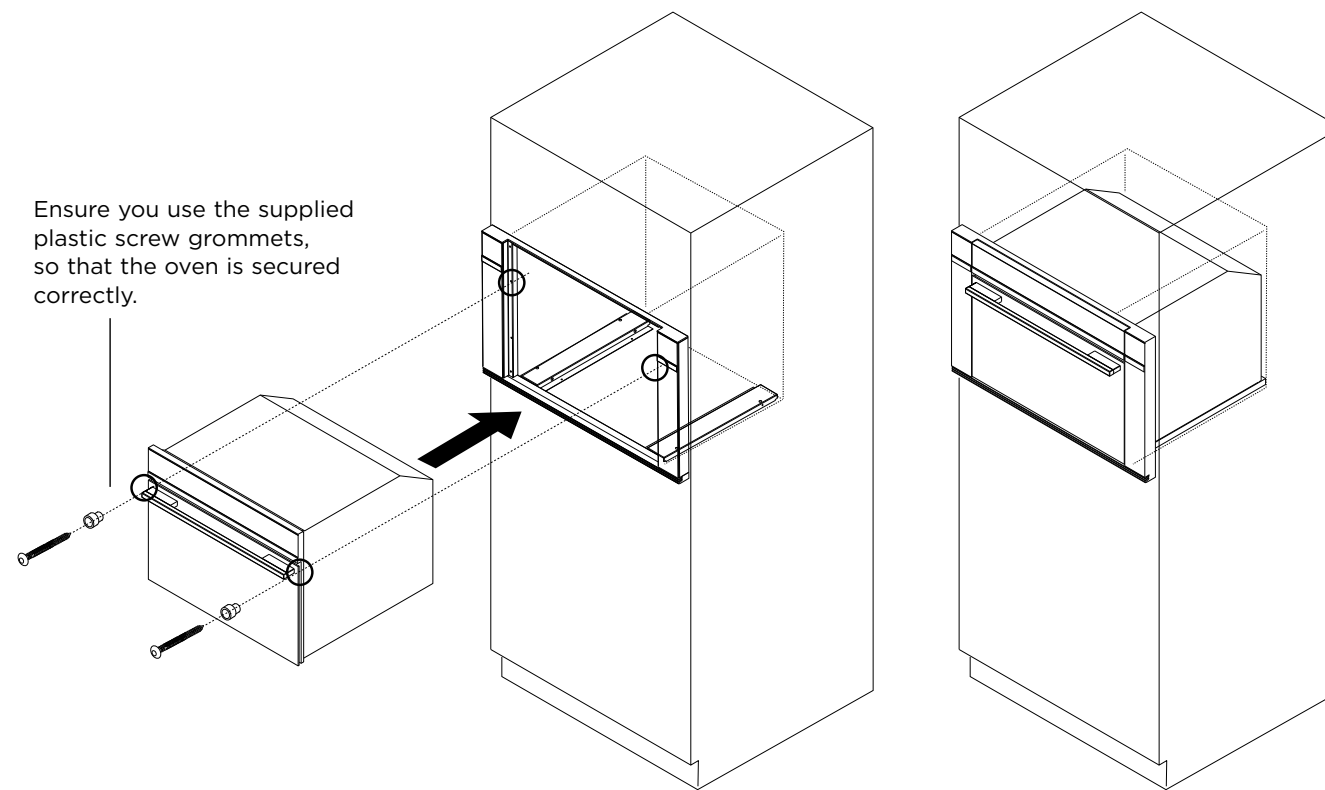


Secure the Trim Surround using the screw hole locations shown



#### 6 INSTALL YOUR OVEN (REFER TO SEPARATE INSTRUCTIONS SUPPLIED WITH OVEN)

Ensure you use the supplied plastic screw grommets, so that the oven is secured correctly.



- ① Install your oven as per the oven installation instructions.
- ② Ensure the oven and Trim Kit are correctly aligned and the oven door can open and close freely, before securing.
- ③ Using the 2 supplied Phillips 2" (50mm) screws, secure through the inner frame of the oven and then through the two upper hole locations on either side of the Trim Surround, as shown.

#### 5 SECURE THE TWO SUPPORT BRACKETS IN THE CAVITY

- ① Position left and right support brackets as shown inside, against the walls of the cavity. We recommend butting the brackets up against the rear frame of the Trim Surround.
- ② Secure through front and rear hole locations on both brackets using the screws supplied.

