

Installation
GUIDE

Microwave and Trim Kit

MBCS MBT30CS



Table of contents

1 Microwave energy	3
2 IMPORTANT SAFETY INSTRUCTIONS	4
2.1 Safety definitions.....	4
2.2 General information.....	4
2.3 General safety instructions.....	4
2.4 Appliance handling safety	5
2.5 Safety codes and standards.....	5
2.6 Electrical safety.....	5
2.7 GROUNDING INSTRUCTIONS	6
2.8 Microwave safety	6
2.9 State of California Proposition 65 Warnings	6
3 Before you begin	7
3.1 Removing packaging.....	7
3.2 Parts included	7
3.3 Tools and parts needed	8
3.4 Power requirements and grounding	8
4 Location requirements	8
4.1 Appliance dimensions	8
4.2 Installation dimensions.....	8
4.3 Location of power outlet.....	9
5 Electrical installation - GROUNDING INSTRUCTIONS	10
5.1 Electrical requirements.....	10
5.2 Electrical connection	10
6 Installation procedure	10
6.1 Preparing the cabinet.....	10
6.2 Installing the appliance.....	11
6.3 Installing the trim kit frame	12
7 Testing the operation	13
8 Customer Service	13
8.1 Model number (E-Nr.) and production number (FD)	13
8.2 Rating plate location.....	13

1 Microwave energy

⚠ PRECAUTIONS TO AVOID POSSIBLE EXPOSURE TO EXCESSIVE MICROWAVE ENERGY

- (1) Do not attempt to operate this appliance with the door open, since open-door operation can result in harmful exposure to microwave energy. It is important not to defeat or tamper with the safety interlocks.
- (2) Do not place any object between the appliance front face and the door or allow soil or cleaner residue to accumulate on sealing surfaces.
- (3) Do not operate the appliance if it is damaged. It is particularly important that the appliance door close properly and that there is no damage to the:
 - door (bent)
 - hinges and latches (broken or loosened)
 - door seals and sealing surfaces.
- (4) The appliance should not be adjusted or repaired by anyone except authorized service personnel. Improper installation, service or maintenance can cause injury or property damage. Refer to this manual for guidance.
Refer all servicing to a factory authorized service provider.



IMPORTANT SAFETY INSTRUCTIONS

READ ALL INSTRUCTIONS BEFORE USING THE APPLIANCE

WARNING - Read all instructions carefully before use. These precautions will reduce the risk of burns, electric shock, fire, injury to persons, or exposure to excessive microwave energy. When using kitchen appliances, basic safety precautions must be followed including those in the following pages.

2.1 Safety definitions

Here you can find explanations of the safety signal words used in this manual.

WARNING

This indicates that death or serious injuries may occur as a result of non-observance of this warning.

CAUTION

This indicates that minor or moderate injuries may occur as a result of non-observance of this warning.

NOTICE:

This indicates that damage to the appliance or property may occur as a result of non-compliance with this advisory.

Note: This alerts you to important information and/or tips.

2.2 General information

Here you can find general information about this manual.

- Please read this manual carefully.
- Observe the safety instructions and warnings.
- Keep the manual and the product information in a safe place for future reference or for the next owner.
- Check the appliance for damage after unpacking it. Do not connect the appliance if it has been damaged in transit.

All product manuals may be downloaded online at www.thermador.com/us/support/owner-manuals.

2.3 General safety instructions

Read these instructions before beginning the installation of your appliance.

IMPORTANT: SAVE THESE INSTRUCTIONS FOR THE LOCAL ELECTRICAL INSPECTOR'S USE.

INSTALLER: LEAVE THESE INSTRUCTIONS WITH THE APPLIANCE AFTER INSTALLATION IS COMPLETE.

WARNING

If the information in this manual is not followed exactly, fire or shock may result causing property damage or personal injury.

WARNING

When using electrical appliances basic safety precautions should be followed, including the following:

- ▶ Read all instructions before using the appliance.
- ▶ Read and follow the specific PRECAUTIONS TO AVOID POSSIBLE EXPOSURE TO EXCESSIVE MICROWAVE ENERGY found on → *Page 3*
- ▶ This appliance must be grounded. Connect only to properly grounded outlet. See → *"Electrical installation - GROUNDING INSTRUCTIONS", Page 10.*
- ▶ Install or locate this appliance only in accordance with the provided installation instructions.
- ▶ Some products such as whole eggs and sealed containers – for example, closed glass jars – are able to explode and should not be heated in this appliance.
- ▶ Use this appliance only for its intended use as described in the manual. Do not use corrosive chemicals or vapors in this appliance. This type of appliance is specifically designed to heat, cook, or dry food. It is not designed for industrial or laboratory use.
- ▶ **HOT CONTENTS CAN CAUSE SEVERE BURNS. DO NOT ALLOW CHILDREN TO USE THE MICROWAVE.** Use caution when removing hot items.
- ▶ Do not operate this appliance if it has a damaged cord or plug, if it is not working properly, or if it has been damaged or dropped.
- ▶ This appliance should be serviced only by an authorized service provider. Contact nearest authorized service provider for examination, repair, or adjustment.
- ▶ Do not cover or block any vents or openings on the appliance.
- ▶ Do not store this appliance outdoors. Do not use this product near water – for example, near a kitchen sink, in a wet basement, near a swimming pool, or similar locations.
- ▶ Do not immerse cord or plug in water.
- ▶ Keep cord away from heated surface.
- ▶ Do not let cord hang over edge of table or counter.



IMPORTANT SAFETY INSTRUCTIONS

READ ALL INSTRUCTIONS BEFORE USING THE APPLIANCE

- ▶ When cleaning surfaces of door and appliance that come together on closing the door, use only mild, non-abrasive soaps, or detergents applied with a sponge or soft cloth. See door surface cleaning instructions.

WARNING

Do not repair, replace or remove any part of the appliance unless specifically recommended in the manuals. Improper installation, service or maintenance can cause injury or property damage.

- ▶ Refer to this manual for guidance.
 - ▶ All other servicing should be done by an authorized service provider.
- Never modify or alter the construction of the appliance.
- ▶ For example, do not remove leveling legs, panels, wire covers or anti-tip brackets/screws.

WARNING

Remove all tape and packaging before using the appliance.

- ▶ Dispose of packaging in an environmentally responsible manner.
- ▶ Never allow children to play with packaging material.

CAUTION

For general ventilating use only.

- ▶ To avoid a fire or explosion hazard, do not use to exhaust hazardous or explosive materials and vapors.

WARNING

To reduce the risk of fire, use only metal ductwork.

2.4 Appliance handling safety

WARNING



Unit is heavy and requires at least two people or proper equipment to move.

- ▶ Do not lift appliance by door handle.

WARNING



Hidden surfaces may have sharp edges.

- ▶ Use caution when reaching behind or under appliance.
- ▶ Wear gloves to avoid cutting fingers on sharp edges during installation.

2.5 Safety codes and standards

This appliance complies with the latest version of one or more of the following standards:

- CAN/CSA C22.2 No. 150 - Microwave Ovens
- CAN/CSA C22.2 No. 61 - Household Cooking Ranges
- CSA C22.2 No. 64 - Household Cooking and Liquid-Heating Appliances
- UL 1026 - Electric Household Cooking and Food Serving Appliances
- UL 923 - Microwave Cooking Appliances
- UL 858 - Household Electric Ranges
- UL 507 - Electric Fans
- CAN/CSA C22.2 No. 113 - Fans and Ventilators

It is the responsibility of the owner and the installer to determine if additional requirements and/or standards apply to specific installations.

2.6 Electrical safety

- **Installer** - show the owner the location of the circuit breaker or fuse. Mark it for easy reference.
- If required by the National Electrical Code (or Canadian Electrical Code), this appliance must be installed on a separate branch circuit.
- Local codes vary. The installer is responsible for ensuring that the installation, connections, and grounding comply with all applicable codes. The manufacturer is not responsible for improper installation or the failure to follow appropriate local codes and regulations.
- Be sure your appliance is properly installed and grounded by a qualified technician. Installation, electrical connections and grounding must comply with all applicable codes.
- Refer to the rating plate for more information.
→ "Rating plate location", Page 13

WARNING

Before installing, turn power OFF at the service panel.

- ▶ Lock service panel to prevent power from being turned ON accidentally.

The appliance must be disconnected from the source of supply before attempting the installation.

For appliances equipped with a cord and plug, do not cut or remove the ground prong.

- ▶ It must be plugged into a matching grounding type receptacle to avoid electrical shock.

SAVE THESE INSTRUCTIONS.



IMPORTANT SAFETY INSTRUCTIONS

READ ALL INSTRUCTIONS BEFORE USING THE APPLIANCE

- ▶ If there is any doubt as to whether the wall receptacle is properly grounded, the customer should have it checked by a qualified electrician.

Before you plug in an electrical cord or turn on power supply, make sure all controls are in the OFF position.

2.7 GROUNDING INSTRUCTIONS

This appliance must be grounded. Grounding reduces the risk of electric shock by providing a safe pathway for electric current in the event of a short circuit.

This appliance must be grounded. Connect only to properly grounded outlet.

→ "Electrical installation - GROUNDING INSTRUCTIONS", Page 10

WARNING

IMPROPER GROUNDING CAN RESULT IN A RISK OF ELECTRIC SHOCK

- ▶ Consult a qualified electrician if the grounding instructions are not completely understood, or if doubt exists as to whether the appliance is properly grounded.
- ▶ DO NOT USE AN EXTENSION CORD.
- ▶ If the power supply cord is too short, have a qualified electrician install an outlet near the appliance.

This appliance is equipped with a cord having a grounding wire with a grounding plug. The plug must be plugged into an outlet that is properly installed and grounded.

2.8 Microwave safety

PRECAUTIONS TO BE OBSERVED BEFORE AND DURING SERVICING TO AVOID POSSIBLE EXPOSURE TO EXCESSIVE MICROWAVE ENERGY

- Do not operate or allow the appliance to be operated with the door open.
- Make the following safety checks on all appliances to be serviced before activating the magnetron or other microwave source, and make repairs as necessary:
 - Interlock operation
 - Proper door closing
 - Seal and sealing surfaces (arcing, wear, and other damage)
 - Damage to or loosening of hinges and latches
 - Evidence of dropping or abuse

- Before turning on microwave power for any service test or inspection within the microwave generating compartments, check the magnetron, wave guide or transmission line, and cavity for proper alignment, integrity, and connection.
- Any damaged or misadjusted components in the interlock, monitor, door seal, and microwave generation and transmission systems shall be repaired, replaced, or adjusted by procedures described in this manual before the appliance is released to the owner.
- A microwave leakage check to verify compliance with the Federal Performance Standard should be performed on each appliance prior to release to the owner.

2.9 State of California Proposition 65 Warnings

This product may contain a chemical known to the State of California, which can cause cancer or reproductive harm. Therefore, the packaging of your product may bear the following label as required by California:

STATE OF CALIFORNIA PROPOSITION 65 WARNING:



WARNING

Cancer and Reproductive Harm - www.P65Warnings.ca.gov

3 Before you begin

Read these instructions before you begin to install your appliance.

All graphics are representative. Your appliance may vary in appearance and features.

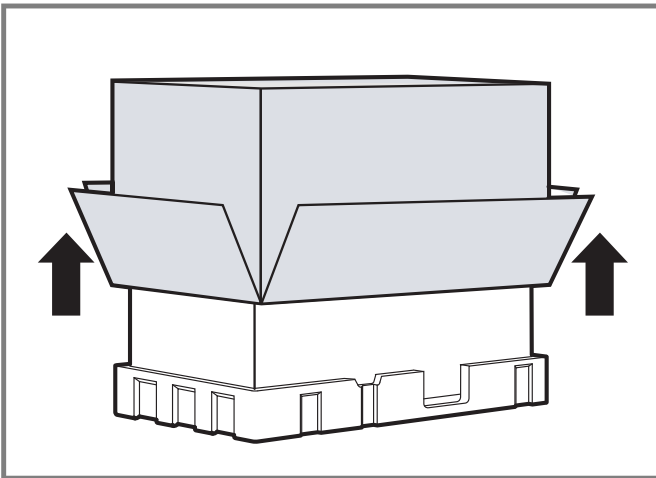
3.1 Removing packaging

NOTICE:

To avoid damage to the appliance, do not grip or use the door or door handle while the appliance is being moved.

1. Unpack the appliance box.

- Fold back all 4 carton flaps fully against the carton sides.
- Remove the glass tray turntable and roller ring.
- Carefully roll the appliance and carton over onto the top side. The appliance should be resting in the packaging.
- Pull the carton up and off the appliance.



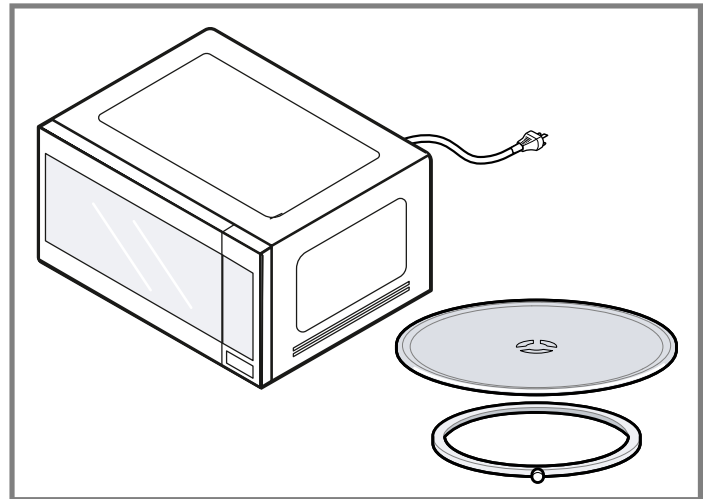
2. Unpack the trim kit box. DO NOT use a knife or sharp object!

- Carefully break the tape then fold back all 4 carton flaps to access the trim kit accessories.

3.2 Parts included

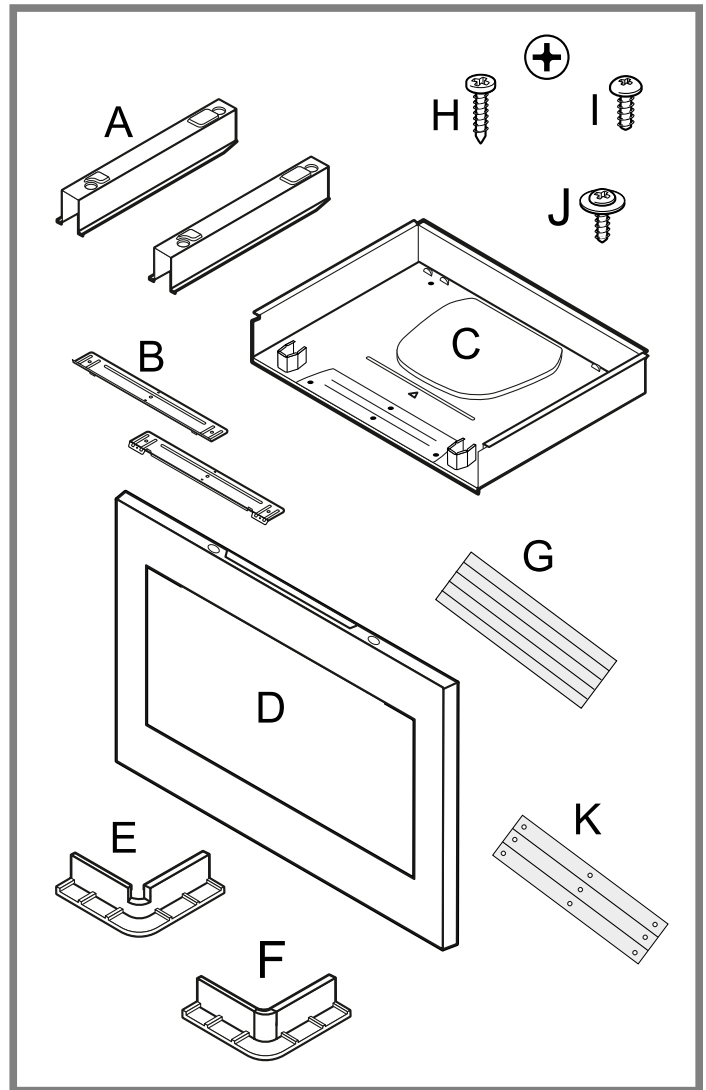
After unpacking all the parts, check for any damage in transit and for completeness of delivery. The microwave and trim kit are supplied in two separate boxes.

Appliance



- Microwave
- Glass tray turntable with roller ring

Trim kit



- | | |
|---|--------------------------------|
| A | Microwave support brackets (2) |
| B | Trim kit brackets (2) |
| C | Base pan (1) |

D	Trim kit frame
E	Adjustment shims type ① (2) For trim kit frame
F	Adjustment shims type ② (2) For trim kit frame
G	Foam strips (5)
H	Wood screws (9)
I	Sheet metal screws (6)
J	Washer screws (4)
K	Gap sheet (3)

3.3 Tools and parts needed

Prepare these tools and accessories before you start to install your appliance.

- Cross head screwdriver
- Pencil
- Measuring tape
- Straight edge
- Drill with bit 1/16" (1.5 mm)
- Safety gloves
- Safety glasses
- Level

Additional parts needed:

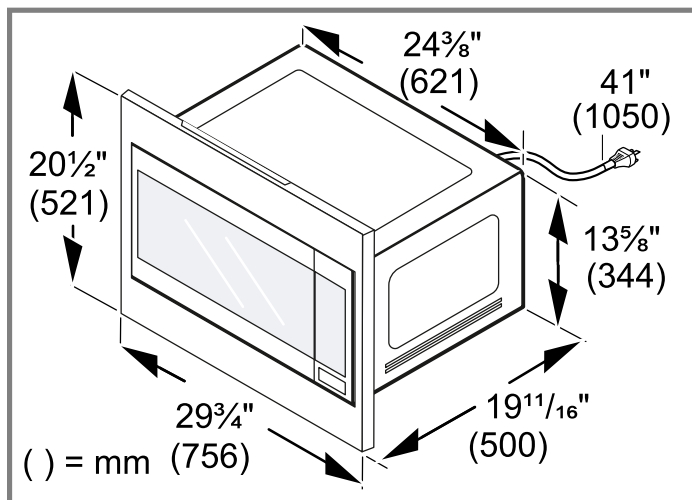
- 30" Trim kit (to be purchased separately): **MBT30CS**

3.4 Power requirements and grounding

The outlet must be properly grounded in accordance with all applicable codes.

4 Location requirements

4.1 Appliance dimensions

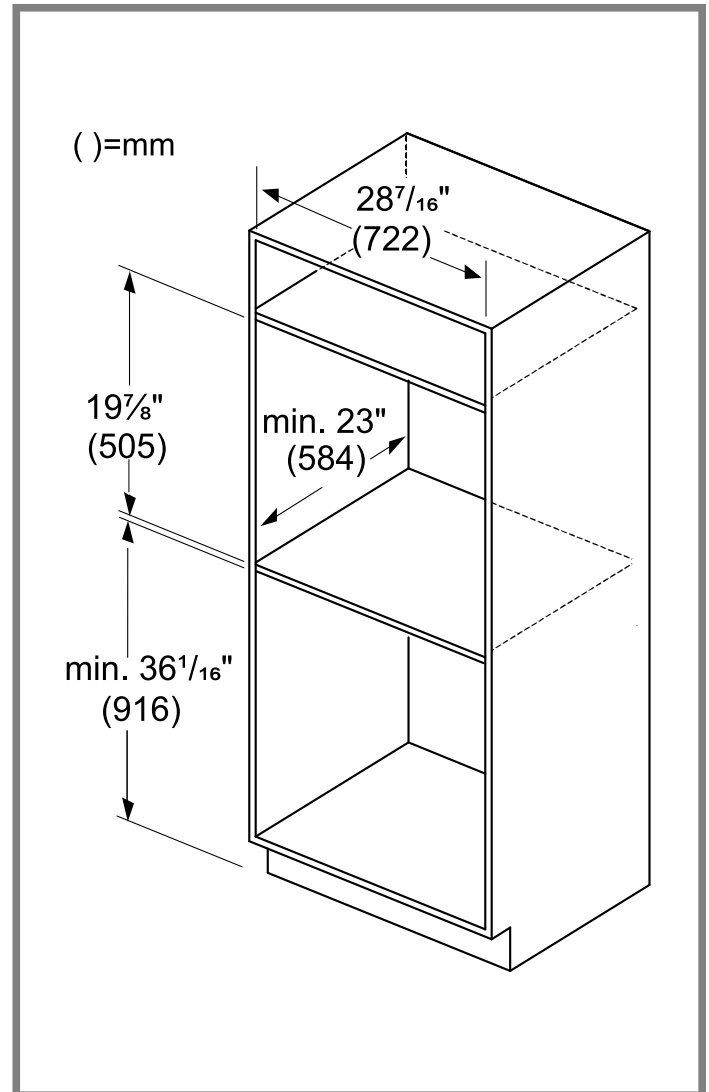


4.2 Installation dimensions

⚠ WARNING

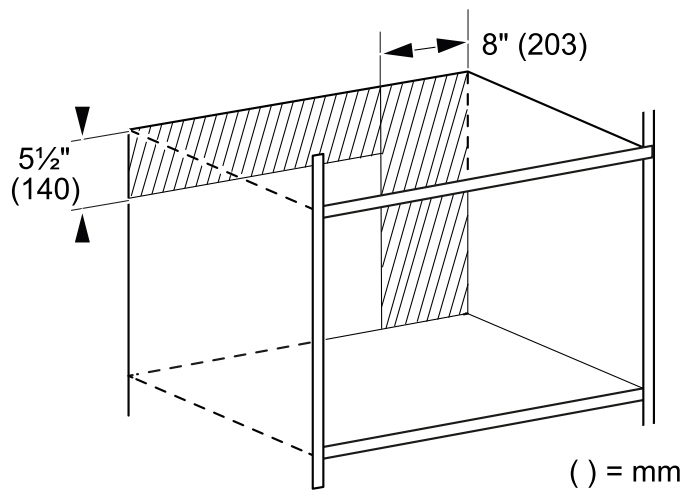
This appliance may be used as a countertop, or as a built-in unit.

- ▶ For built-in installation, the appliance must be mounted at a minimum height of 36 1/16" (916 mm).
- ▶ For built-in installation, the Thermador appliance model **MBCS** must be installed with the dedicated Thermador trim kit **MBT30CS**, according to the Installation Guide.



4.3 Location of power outlet

The power outlet can be located anywhere within the shaded area.



5 Electrical installation - GROUNDING INSTRUCTIONS

Read these instructions to safely connect your appliance to the electrical supply.

5.1 Electrical requirements

Make sure your electrical installation supports the following requirements.

⚠ WARNING

Electrical grounding instructions

- ▶ This appliance is equipped with a three-prong grounding plug for your protection against shock hazard and should be plugged directly into a properly grounded receptacle. **DO NOT** cut or remove the grounding prong from this plug.

Model	Connection	Circuit requirements
MBCS	NEMA 5-15	120 VAC / 60 Hz; 15 A

5.2 Electrical connection

⚠ WARNING

The voltage used must be the same as specified on this appliance. Using a higher voltage is dangerous and may result in a fire or appliance damage.

Electrical requirements:

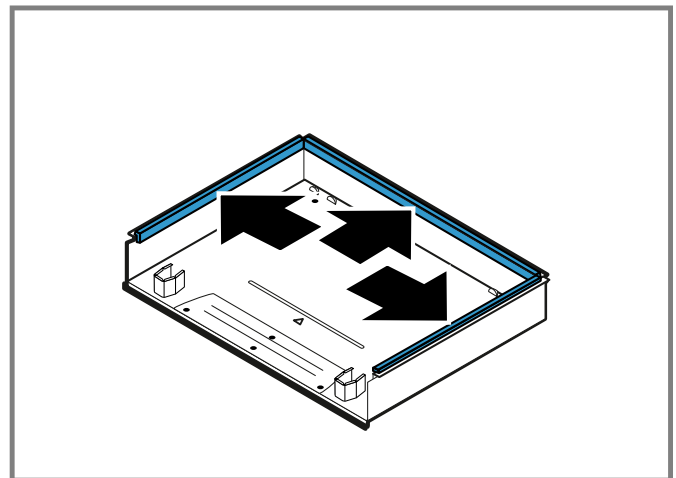
- All 120 volt models must be plugged into a mating 3-prong, grounding-type receptacle.
- The receptacle must be connected to a properly dedicated grounded and polarized electrical power supply rated at 120 VAC, single phase, 60 Hz.
- 15 A electrical supply with a fuse or a circuit breaker.
- This product must be connected to a dedicated supply circuit of the proper voltage and frequency.
- Wire size must conform to the requirements of the National Electric Code or the prevailing local code for this rating.
- The power supply cord should be plugged into a separate 15 A single-phase grounded receptacle outlet.
- The outlet box should be located in the area behind the appliance.
- The outlet box and dedicated supply circuit should be installed by a qualified electrician and conform to the National Electrical Code or the prevailing local code.
- The voltage used must be the same as specified on the rating plate of this appliance.
→ "Rating plate location", Page 13. Using a higher voltage is dangerous and may result in a fire or appliance damage.
Using a lower voltage will cause slow cooking. The manufacturer is not responsible for any damages resulting from the use of the appliance with any voltage other than specified.
- The appliance should only be connected to a dedicated circuit (with ground) that has been installed according to relevant regulations.

6 Installation procedure

6.1 Preparing the cabinet

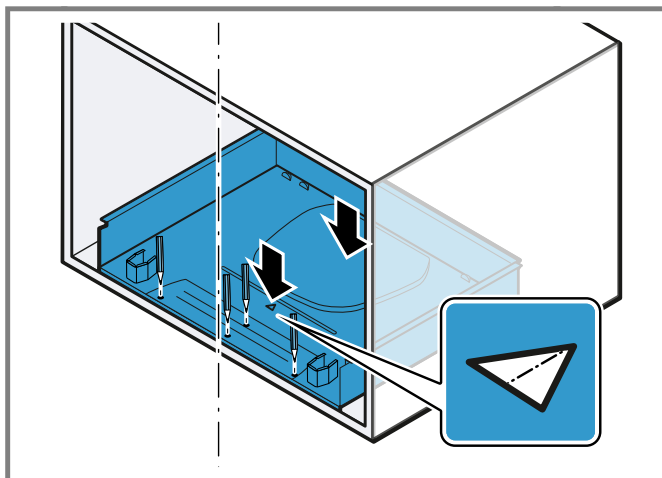
Requirement: The cabinet needs to be level and square.

1. Attach the foam strips around the top edges of the base pan as shown.

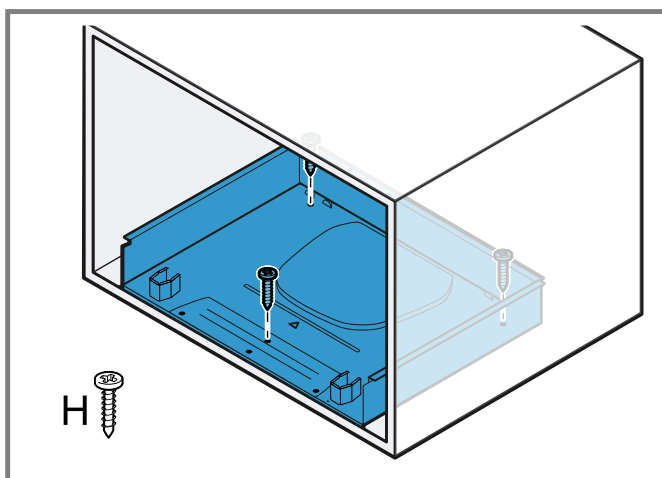


2. Disconnect power supply to the outlet at the circuit breaker box.
3. Draw a centerline at the cabinet bottom.

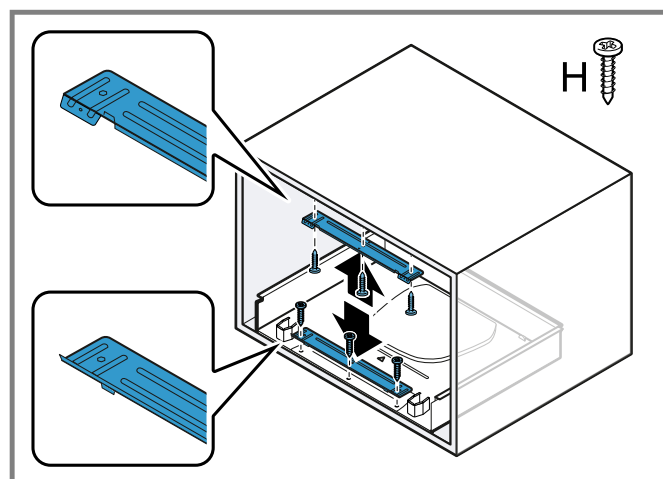
4. Place the base pan into the cabinet opening, pushing it back until the front edge of the base pan rests against the front edge of the cabinet bottom. Use the triangular punch holes to align the base pan with the center line on the cabinet bottom.



5. Mark 6 holes for the fixing screws.
 6. Remove the base pan from the cabinet and drill 6 holes at the marked locations using a $\frac{1}{16}$ " (1.6 mm) drill bit.
 7. Place the base pan back into the cabinet opening, align it as before and secure it with 3 wood screws.



8. Secure the trim kit brackets at the top and bottom of the cabinet opening with 3 wood screws each.
- Measure the height of the cabinet cutout. If the cutout is higher than $19\frac{7}{8}$ " (505 mm) attach the gap sheets (K) to the upper trim kit bracket. 1 gap sheet adds $\frac{1}{32}$ " (1 mm).
 - **Top of cabinet opening:** Measure and mark the center of the cabinet opening and align it with the center mark on the trim kit bracket. Align the trim kit bracket with the front edge of the cabinet opening. The flanges of the trim kit bracket must point toward the front and downwards.
 - **Bottom of cabinet opening:** Align the trim kit bracket with the front edge of the base pan. The flanges of the trim kit bracket must point toward the front and upwards. The bore holes in the trim kit bracket and the base pan must match.



6.2 Installing the appliance

⚠ WARNING

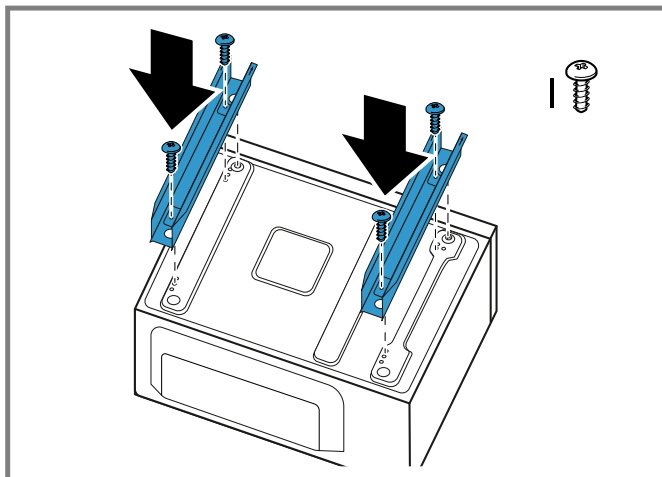
Before installing the appliance and trim kit, turn power OFF at the service panel.

- ▶ Lock the service panel to prevent the power from being turned ON accidentally.

1. Ensure the appliance cavity is empty.
2. Use 2 people to turn the appliance over to access the bottom.

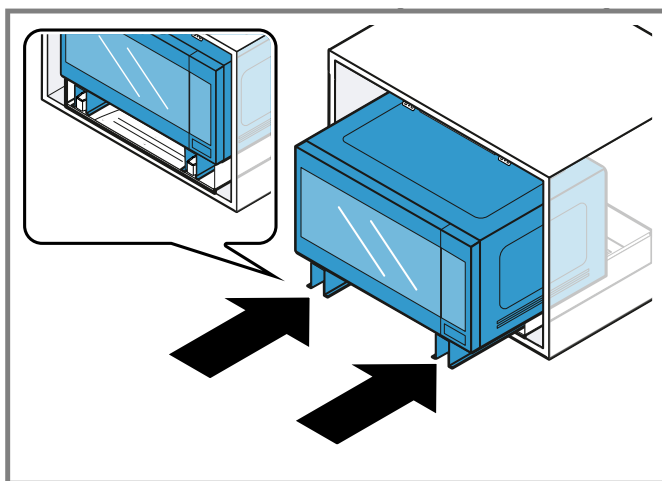
Note: Rest the appliance on the packaging material to avoid damage to the appliance and kitchen surfaces.

- Attach the microwave support brackets to the bottom of the appliance with 2 sheet metal screws on each side. The arrows on the microwave support brackets must point towards the front of the appliance.

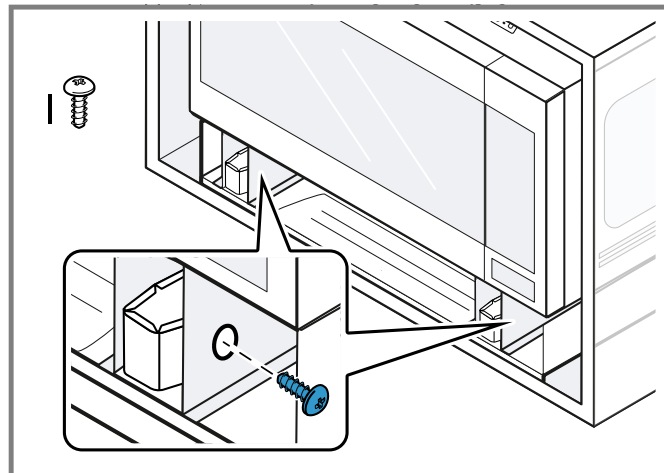


- Turn the appliance over and rest it at the front of the cabinet cutout.
- Route the power cord to the power outlet and plug it in.

Note: Make sure not to pinch the power cord while pushing the microwave into the cabinet cutout during the following steps.
- Slide the appliance into the cabinet by inserting the microwave support brackets over the guides at the front of the base pan.
 - The microwave support brackets must be flush with the front edge of the base pan.



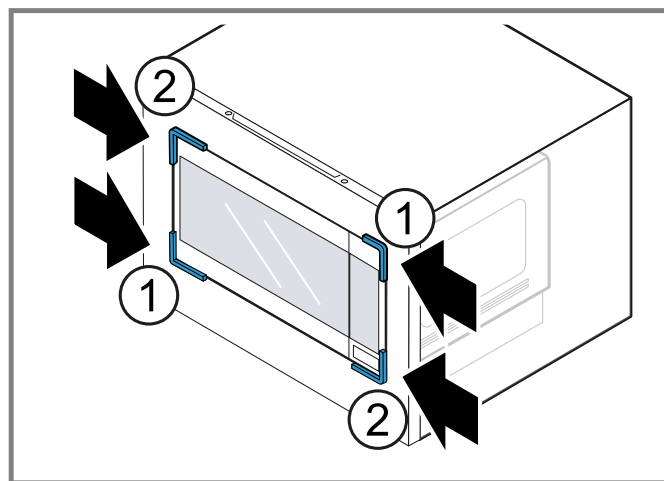
- Secure the microwave support brackets to the base pan with 2 sheet metal screws through the inside of the microwave support brackets.



6.3 Installing the trim kit frame

- Place the trim kit frame over the appliance front. The bore holes in the trim kit frame must align with the bore holes in the installation brackets.

Check the printing on the back of the trim kit frame to see which side goes up.
- Insert the 4 adjustment shims between the trim kit frame and the appliance. The thinner edge of the adjustment shims will fit in the gap at the top or bottom.

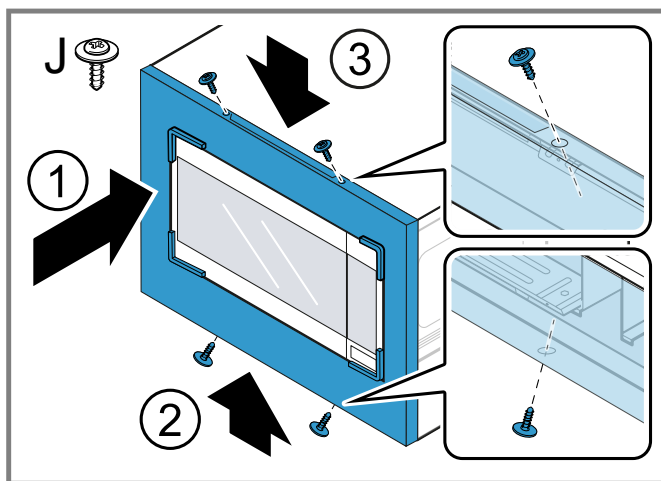


Adjustment shim type	Position
----------------------	----------

- | | |
|---|--|
| ① | <ul style="list-style-type: none"> Top right Bottom left |
| ② | <ul style="list-style-type: none"> Top left Bottom right |

- Check if the appliance face and the trim kit frame face are flush and level.
- If adjustment is necessary:
 - Remove the adjustment shims.

- Undo the fixing screws at the microwave support brackets and adjust the position of the appliance. See step 7 in → "Installing the appliance", Page 11.
 - Repeat this step until the appliance is flush and level with the trim kit frame.
5. Remove the adjustment shims and trim kit frame again and fully fasten the screws at the microwave support brackets.
 6. Place the trim kit over the appliance front and insert the 4 adjustment shims once more ①.
 7. Secure the trim kit with 4 washer screws through the bore holes. Start with the 2 bottom screws ②, then continue with the 2 top screws ③. Insert the screws at an angle and tighten.



8. Remove the adjustment shims.
9. Remove the protective film from the appliance and trim kit frame.

7 Testing the operation

Check if the appliance is working properly after completing the installation steps.

1. Turn on power at the breaker.
2. Place a cup of water into the appliance cavity. See Use and Care Guide for information about how to heat a beverage.
- ✓ Verify that the appliance cavity light comes on and the water is heated.
3. Verify that the door lock feature is activated. See section on Basic Settings in the Use and Care Guide of this appliance.
4. If the cup of water does not heat as expected, contact Customer Service for assistance.

8 Customer Service

With any warranty repair, we will make sure your appliance is repaired by an authorized service provider using genuine replacement parts. We use only genuine replacement parts for all repairs.

Detailed information on the warranty period and terms of warranty can be found in the Statement of Limited Product Warranty, from your retailer, or on our website.

If you contact Customer Service, you will need the model number (E-Nr.) and the production number (FD) of your appliance.

USA:

1-800-735-4328

www.thermador.com/support

www.thermador.com/us/accessories

CA:

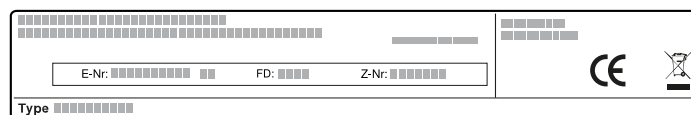
1-800-735-4328

www.thermador.ca

www.thermador.ca/en/support/filters-cleaners-accessories

8.1 Model number (E-Nr.) and production number (FD)

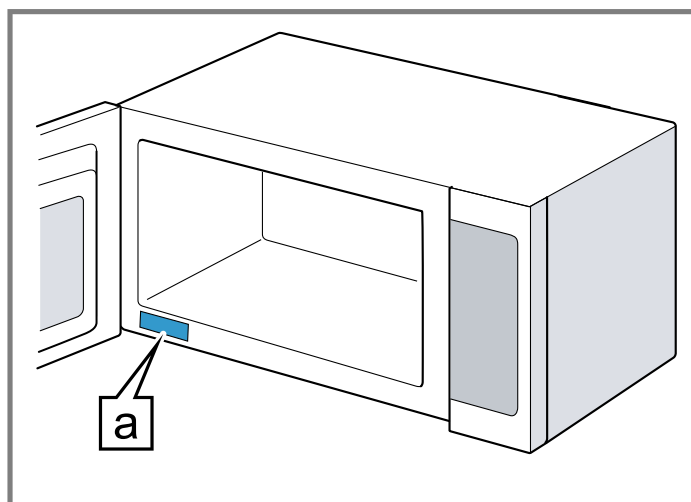
You can find the model number (E-Nr.) and the production number (FD) on the appliance's rating plate.



Making a note of your appliance's details and the Customer Service telephone number will enable you to find them again quickly.

8.2 Rating plate location

The rating plate is located in the lower left corner of the microwave front face and is visible when the door is open.



a Rating plate

Table des matières

1 Énergie micro-ondes	15
2 IMPORTANTES CONSIGNES DE SÉCURITÉ	16
2.1 Définitions des termes de sécurité	16
2.2 Informations générales.....	16
2.3 Consignes générales de sécurité	16
2.4 Manipulation sécuritaire des appareils	17
2.5 Codes et normes de sécurité	17
2.6 Sécurité électrique	18
2.7 INSTRUCTIONS DE MISE À LA TERRE	18
2.8 Sécurité du micro-ondes	18
2.9 Mises en garde conformément à la proposition 65 de l'État de Californie	19
3 Avant de commencer.....	20
3.1 Retrait de l'emballage	20
3.2 Pièces incluses	20
3.3 Outils et pièces nécessaires.....	21
3.4 Exigences d'alimentation et mise à la terre	21
4 Exigences concernant l'emplacement	21
4.1 Dimensions de l'électroménager	21
4.2 Dimensions de l'installation	21
4.3 Emplacement de la prise de courant.....	22
5 Installation électrique - INSTRUCTIONS DE MISE À LA TERRE.....	23
5.1 Exigences électriques	23
5.2 Raccordement électrique	23
6 Procédure d'installation	23
6.1 Préparation de l'armoire	23
6.2 Installation de l'appareil.....	24
6.3 Installation du cadre de la trousse de finition.....	25
7 Opération d'essai.....	26
8 Service à la clientèle.....	26
8.1 Numéro de modèle (E-Nr.) et numéro de fabrication (FD)	26
8.2 Emplacement de la plaque signalétique	26

1 Énergie micro-ondes

▲ MESURES DE PRÉCAUTION POUR ÉVITER L'EXPOSITION EXCESSIVE À L'ÉNERGIE MICRO-ONDE

- (1) Lorsque vous faites fonctionner l'appareil, ne laissez pas la porte de l'appareil ouverte car l'exposition à l'énergie micro-onde peut être nocive. Il est important de ne pas endommager les verrous de sécurité et de ne pas essayer de les forcer.
- (2) Aucun objet ne doit empêcher la porte de l'appareil de bien se refermer et ne laissez pas les résidus d'aliments ou de produit d'entretien s'accumuler sur les joints d'étanchéité.
- (3) Ne faites pas fonctionner l'appareil s'il est endommagé. Il est particulièrement important que la porte de l'appareil puisse être refermée correctement, et donc que les pièces suivantes ne soient pas endommagées :
- poerte(bosselée)
 - charnières et loquets (brisés ou desserrés)
 - joints de porte et surfaces d'étanchéité.
- (4) Confier toute réparation ou réglage uniquement à un personnel autorisé par l'usine. Toute installation, réparation ou maintenance inadéquate peut entraîner des blessures ou des dommages matériels. Se reporter à ce manuel pour obtenir des conseils sur la façon de procéder. Toute réparation doit être confiée à un centre de service agréé par l'usine.



IMPORTANTES CONSIGNES DE SÉCURITÉ

LISEZ TOUTES LES INSTRUCTIONS AVANT D'UTILISER L'APPAREIL

ATTENTION - Lisez toutes les instructions attentivement avant l'utilisation. Ces précautions réduiront le risque de brûlures, de choc électrique, d'incendie, de blessures corporelles ou d'exposition à une énergie micro-ondes excessive. Lorsque vous utilisez des appareils électroménagers de cuisine, il importe de suivre des précautions de sécurité de base, y compris celles indiquées dans les pages suivantes.

2.1 Définitions des termes de sécurité

Vous trouverez ici des explications sur les mots de signalisation de sécurité utilisés dans ce manuel.

AVERTISSEMENT

Signale un risque de mort ou de blessure grave si l'avertissement n'est pas respecté.

MISE EN GARDE

Signale un risque de blessures mineures ou modérées si l'avertissement n'est pas respecté.

AVIS :

Ceci indique que la non-conformité à cet avis de sécurité peut entraîner des dégâts matériels ou endommager l'appareil.

Remarque : Ceci vous signale des informations et/ou indications importantes.

2.2 Informations générales

Vous trouverez ici des informations générales sur ce manuel.

- Veuillez lire attentivement ce manuel.
- Respectez les consignes de sécurité et les avertissements.
- Conservez le manuel et les informations sur le produit dans un endroit sûr pour référence future ou pour le prochain propriétaire.
- Vérifiez que l'appareil n'est pas endommagé après l'avoir déballé. Ne branchez pas l'appareil s'il a été endommagé pendant le transport.

Tous les manuels des produits peuvent être téléchargés en ligne à l'adresse www.thermador.ca/fr/soutien/manuels-du-propietaire.

2.3 Consignes générales de sécurité

Lisez ces instructions avant de commencer l'installation de votre appareil.

IMPORTANT : CONSERVEZ CES INSTRUCTIONS POUR L'UTILISATION DE L'INSPECTEUR ÉLECTRIQUE LOCAL.

INSTALLATEUR : LAISSEZ CES INSTRUCTIONS AVEC L'APPAREIL UNE FOIS L'INSTALLATION COMPLÈTE.

AVERTISSEMENT

Si les consignes du présent manuel ne sont pas suivies à la lettre, il y a un risque d'incendie ou d'électrocution pouvant entraîner des dommages matériels ou des blessures.

AVERTISSEMENT

Quand vous utilisez des appareils électriques, observez les consignes de sécurité de base, y compris ce qui suit :

- ▶ Lisez toutes les instructions avant d'utiliser l'appareil.
- ▶ Lisez et suivez les PRÉCAUTIONS spécifiques POUR ÉVITER UNE EXPOSITION ÉVENTUELLE À UNE ÉNERGIE EXCESSIVE DES MICRO-ONDES figurant dans → *Page 15*
- ▶ Cet appareil doit être mis à la terre. Raccordez l'appareil uniquement à une prise de courant correctement mise à la terre. Voir → "*Installation électrique - INSTRUCTIONS DE MISE À LA TERRE*", *Page 23*.
- ▶ Installez ou aménagez cet appareil uniquement en conformité avec les instructions d'installation fournies.
- ▶ Certains produits comme des œufs entiers et des contenants scellés – par exemple, des pots en verre scellés – peuvent éclater et ne doivent pas être chauffés dans cet appareil.
- ▶ Utilisez cet appareil uniquement dans le cadre de l'utilisation prévue tel que décrit dans ce manuel. N'utilisez pas de produits chimiques corrosifs ou des vapeurs dans cet appareil. Ce type d'appareil est spécifiquement conçu pour chauffer, cuire ou sécher des aliments. Il n'est pas conçu pour un usage industriel ou en laboratoire.
- ▶ LE CONTENU CHAUD PEUT CAUSER DE GRAVES BRÛLURES. NE PERMETTEZ PAS AUX ENFANTS D'UTILISER LE MICRO-ONDES. Soyez prudent lorsque vous retirez des éléments chauds.



IMPORTANTES CONSIGNES DE SÉCURITÉ

LISEZ TOUTES LES INSTRUCTIONS AVANT D'UTILISER L'APPAREIL

- ▶ N'utilisez pas cet appareil si le cordon ou la fiche est endommagé, s'il ne fonctionne pas correctement ou s'il a été endommagé ou a été échappé.
- ▶ Cet appareil ne doit être réparé que par un fournisseur de service autorisé. Contactez le fournisseur de services autorisé le plus proche pour un examen, une réparation ou un réglage.
- ▶ Ne couvrez pas ou bloquez les événements ou ouvertures de l'appareil.
- ▶ Ne rangez pas cet appareil à l'extérieur. N'utilisez pas ce produit à proximité de l'eau – par exemple, près d'un évier de cuisine, dans un sous-sol humide, près d'une piscine ou d'emplacements similaires.
- ▶ Ne plongez pas le cordon ou la fiche dans l'eau.
- ▶ Tenez le cordon à l'écart de la surface chauffante.
- ▶ Ne laissez pas le cordon suspendre par dessus le bord d'une table ou d'un comptoir.
- ▶ Lors du nettoyage des surfaces de la porte et de l'appareil qui se rejoignent lors de la fermeture de la porte, utilisez uniquement des savons doux et non abrasifs ou des détergents appliqués avec une éponge ou un chiffon doux. Voir les instructions de nettoyage de la surface de la porte.

AVERTISSEMENT

Ne pas réparer, remplacer ni retirer toute pièce de l'électroménager à moins que cela ne soit spécifiquement recommandé par les manuels. L'installation, les réparations ou l'entretien inadéquats pourraient causer des blessures ou des dégâts matériels.

- ▶ Consulter ce manuel pour les directives d'utilisation.
- ▶ Toutes les autres réparations doivent être effectuées par un prestataire de services agréé.

Ne jamais modifier ni altérer la structure de l'appareil électroménager.

- ▶ Par exemple, ne retirez pas les pieds d'ajustement, les panneaux, les couvre-fils ou les vis ou supports anti-basculement.

AVERTISSEMENT

Retirer tout le ruban adhésif et l'emballage avant d'utiliser l'électroménager.

- ▶ Éliminez l'emballage d'une manière respectueuse de l'environnement.
- ▶ Ne laissez jamais les enfants jouer avec le matériel d'emballage.

MISE EN GARDE

Uniquement aux fins de ventilation générale.

- ▶ Pour éviter tout risque d'incendie ou d'explosion, ne pas utiliser pour évacuer des matières et des vapeurs dangereuses ou explosives.

AVERTISSEMENT

Pour réduire le risque d'incendie, utiliser uniquement des systèmes de gaines/conduites en métal.

2.4 Manipulation sécuritaire des appareils

AVERTISSEMENT



L'unité est lourde et son déplacement exige au moins deux personnes ou encore un équipement approprié.

- ▶ Ne pas soulever l'appareil par la poignée de porte.

AVERTISSEMENT



Certaines surfaces cachées peuvent avoir des rebords tranchants.

- ▶ Redoubler de vigilance quand vous passez la main derrière ou sous l'appareil électroménager.
- ▶ Portez des gants pour éviter de vous couper les doigts sur les rebords pointus au cours de l'installation.

2.5 Codes et normes de sécurité

Cet appareil est conforme aux plus récentes versions de l'une ou plus des normes suivantes :

- CAN/CSA C22.2 n ° 150 - Fours à micro-ondes
- CAN/CSA C22.2 no 61 - Cuisinières domestiques
- CSA C22.2 no 64 - Appareils ménagers de cuisson et de chauffage à liquide
- UL 1026 - Appareils électroménagers pour la cuisson et la préparation des aliments
- UL 923 - Appareils de cuisson à micro-ondes
- UL 858 - Cuisinières électriques domestiques
- UL 507 - Ventilateurs électriques
- CAN/CSA-C22.2 No 113 - Ventilateurs

Il est de la responsabilité du propriétaire et de l'installateur de déterminer si des exigences et/ou des normes supplémentaires s'appliquent à des installations spécifiques.

CONSERVEZ CES INSTRUCTIONS.



IMPORTANTES CONSIGNES DE SÉCURITÉ

LISEZ TOUTES LES INSTRUCTIONS AVANT D'UTILISER L'APPAREIL

2.6 Sécurité électrique

- **Installateur** - indiquez au propriétaire l'emplacement du disjoncteur ou du fusible. Identifiez sa position pour pouvoir le retrouver facilement.
- S'il y a lieu, conformément au Code national de l'électricité (ou au Code canadien de l'électricité), cet appareil doit être installé sur un circuit de dérivation séparé.
- Les codes locaux peuvent varier. L'installateur est responsable de s'assurer que l'installation, les connexions et la mise à la terre sont conformes à tous les codes applicables. Le fabricant n'est pas responsable d'une installation incorrecte ou du non-respect des codes et réglementations locaux appropriés.
- Assurez-vous que l'appareil est correctement installé et mis à la terre par un technicien qualifié. L'installation, les raccordements électriques et la mise à la terre doivent être conformes avec tous les codes en vigueur.
- Voir la fiche signalétique pour plus d'information.
→ *"Emplacement de la plaque signalétique", Page 26*

AVERTISSEMENT

Avant l'installation, couper l'alimentation au panneau de service.

- ▶ Verrouiller le panneau de service pour empêcher que l'alimentation ne soit rétablie par accident.

L'appareil doit être débranché de la source d'alimentation électrique avant d'être installé.

Pour les électroménagers dotés d'un cordon d'alimentation avec fiche, ne pas couper ni enlever la broche de mise à la terre.

- ▶ Pour éviter toute électrocution, brancher le cordon dans une prise de courant correspondante avec mise à la terre.
- ▶ En cas de doute concernant la mise à la terre appropriée de la prise murale, le client doit faire vérifier celle-ci par un électricien qualifié.

Avant de brancher le cordon électrique ou de mettre sous tension la source d'alimentation, vérifiez que toutes les commandes sont à la position OFF (Arrêt).

2.7 INSTRUCTIONS DE MISE À LA TERRE

Cet appareil doit être mis à la terre. La mise à la terre réduit le risque de choc électrique en fournissant une voie sûre pour le courant électrique en cas de court-circuit. Cet appareil doit être mis à la terre. Raccordez l'appareil uniquement à une prise de courant correctement mise à la terre.

→ *"Installation électrique - INSTRUCTIONS DE MISE À LA TERRE", Page 23*

AVERTISSEMENT

UNE MISE À LA TERRE INADÉQUATE PEUT ENTRAÎNER UN RISQUE D'ÉLECTROCUTION

- ▶ Consultez un électricien qualifié si vous ne comprenez pas parfaitement les instructions de mise à la terre ou si vous avez des doutes concernant une mise à la terre appropriée.
- ▶ NE PAS UTILISER DE RALLONGE.
- ▶ Si le cordon d'alimentation est trop court, demandez à un électricien ou un technicien qualifié d'installer une prise à proximité de l'appareil.

Cet appareil est équipé d'un cordon ayant un fil de mise à la terre avec une prise de mise à la terre. La fiche doit être branchée dans une prise qui a été installée et mise à la terre de façon conforme.

2.8 Sécurité du micro-ondes

PRÉCAUTIONS À SUIVRE AVANT ET PENDANT L'ENTRETIEN POUR ÉVITER TOUT RISQUE D'EXPOSITION AUX MICRO-ONDES

- Ne pas utiliser ou ne pas permettre l'utilisation de l'appareil avec la porte ouverte.
- Effectuer les vérifications de sécurité suivantes sur tous les appareils faisant l'objet d'un entretien avant d'activer la magnétron ou autre source micro-ondes, et effectuer les réparations selon le besoin :
 - Opération de verrouillage
 - Fermeture appropriée des portes
 - Joint d'étanchéité et surfaces étanches (production d'arcs électriques, usure et autres dommages)
 - Endommagement ou desserrage des charnières et des loquets
 - Signe de chute ou d'abus



IMPORTANTES CONSIGNES DE SÉCURITÉ

LISEZ TOUTES LES INSTRUCTIONS AVANT D'UTILISER L'APPAREIL

- Avant de mettre sous tension le micro-ondes pour tout test de service ou inspection dans les compartiments générateurs de micro-ondes, vérifier le magnétron, le guide d'onde ou la ligne de transmission, et la cavité pour l'alignement, intégrité, raccordement approprié.
- Tout composant endommagé ou mal réglé dans l'interverrouillage, moniteur, joint d'étanchéité de porte et système de génération et de transmission de micro-ondes doit être réparé, remplacé ou réglé selon les procédures décrites dans ce manuel avant que l'appareil ne puisse être remis à son propriétaire.
- Une vérification de fuite de micro-ondes pour vérifier la conformité avec les normes de rendement fédérales doit être effectuée sur chaque appareil avant sa remise au propriétaire.

2.9 Mises en garde conformément à la proposition 65 de l'État de Californie

Ce produit pourrait contenir un produit chimique reconnu par l'État de la Californie comme cancérigène ou ayant des effets nocifs sur la reproduction. Par conséquent, vous pourriez devoir apposer l'étiquette suivante sur l'emballage du produit comme requis par la Californie :

AVERTISSEMENT ISSUE DE LA PROPOSITION 65 DE L'ÉTAT DE LA CALIFORNIE :

 **AVERTISSEMENT**

Cancer et dommages à la reproduction -
www.P65Warnings.ca.gov

CONSERVEZ CES INSTRUCTIONS.

3 Avant de commencer

Lisez ces instructions avant de commencer l'installation de votre appareil.

Tous graphiques sont représentatifs. Votre appareil peut varier en apparence et en fonctionnalités.

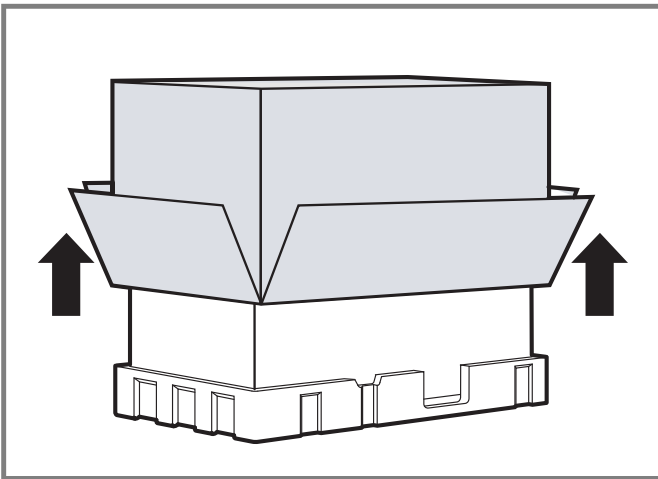
3.1 Retrait de l'emballage

AVIS :

Pour éviter d'endommager l'appareil, ne saisissez pas et n'utilisez pas la porte ou la poignée de porte pendant que l'appareil est déplacé.

1. Déballez la boîte de l'appareil.

- Repliez complètement les 4 rabats du carton contre les côtés du carton.
- Retirez le plateau tournant du plateau en verre et l'anneau à rouleaux.
- Roulez soigneusement l'appareil et le carton sur le côté supérieur. L'appareil doit reposer dans son emballage.
- Tirez le carton vers le haut et hors de l'appareil.



2. Déballez la boîte de la trousse de finition. N'utilisez PAS de couteau ou d'objet pointu !

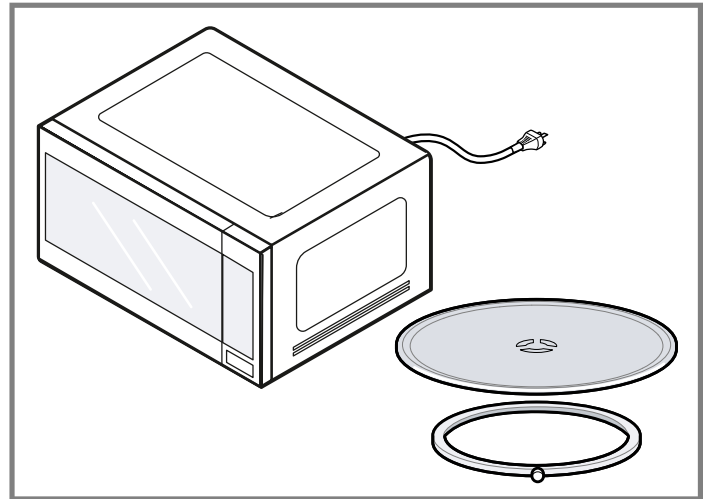
- Cassez soigneusement le ruban adhésif, puis repliez les 4 rabats du carton pour accéder aux accessoires de la trousse de finition.

3.2 Pièces incluses

Après avoir déballé le produit, inspectez toutes les pièces pour détecter d'éventuels dégâts dus au transport et pour vous assurer de l'intégralité de la livraison.

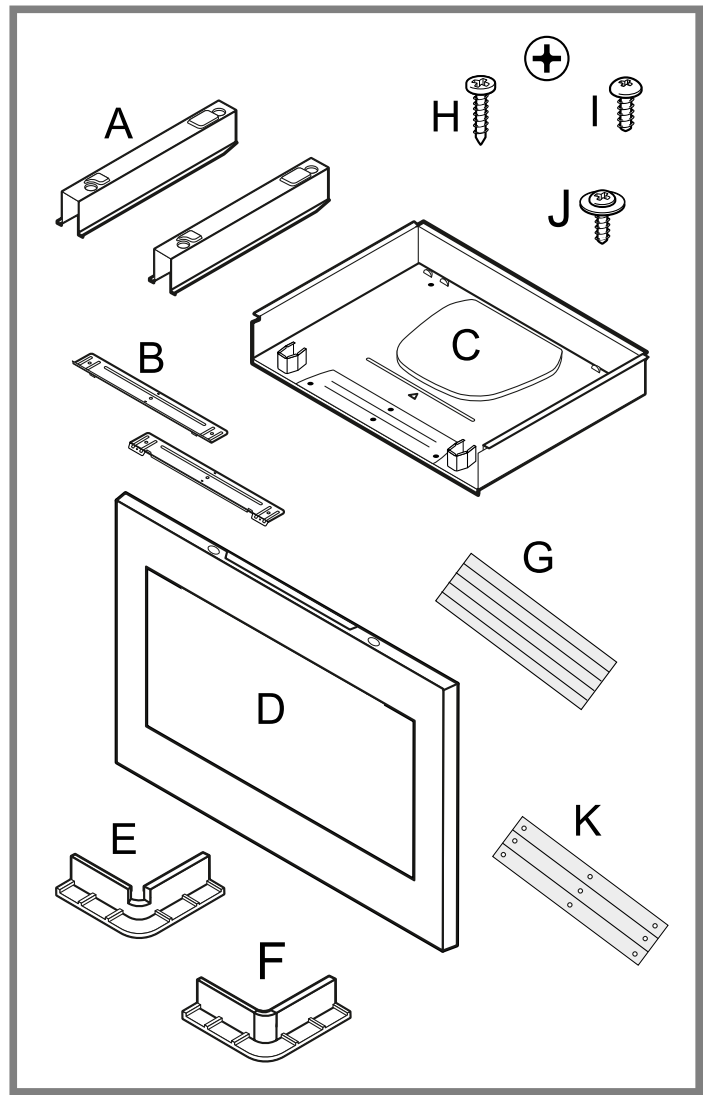
Le micro-ondes et la trousse de finition sont fournis dans deux boîtes distinctes.

Électroménager



- Micro-ondes
- Plateau tournant en verre avec anneau de roulement

Trousse de finition



- | | |
|---|-------------------------------------|
| A | Supports pour micro-ondes (2) |
| B | Supports de trousse de finition (2) |
| C | Plateau de base (1) |

D	Cadre de la trousse de finition
E	Type de cales de réglage ① (2) Pour cadre de la trousse de finition
F	Type de cales de réglage ② (2) Pour cadre de la trousse de finition
G	Bandes de mousse (5)
H	Vis à bois (9)
I	Vis à tôle (6)
J	Vis à rondelle (4)
K	Feuille d'espacement (3)

3.3 Outils et pièces nécessaires

Préparez ces outils et accessoires avant de commencer à installer votre électroménager.

- Tournevis cruciforme
- Crayon
- Ruban à mesurer
- Bord droit
- Perceuse avec mèche de 1/16 po (1,5 mm)
- Gants de sécurité
- Lunettes de protection
- Niveau

Pièces supplémentaires requises :

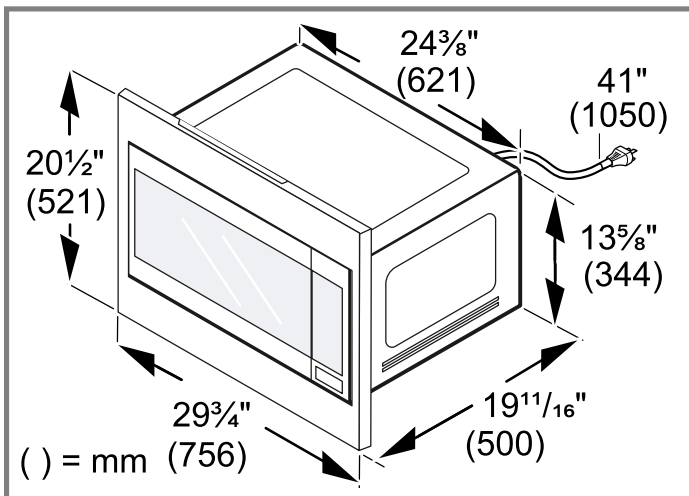
- Trousse de finition de 30 po (à acheter séparément) : **MBT30CS**

3.4 Exigences d'alimentation et mise à la terre

La prise de courant doit être correctement mise à la terre selon tous les codes applicables.

4 Exigences concernant l'emplacement

4.1 Dimensions de l'électroménager

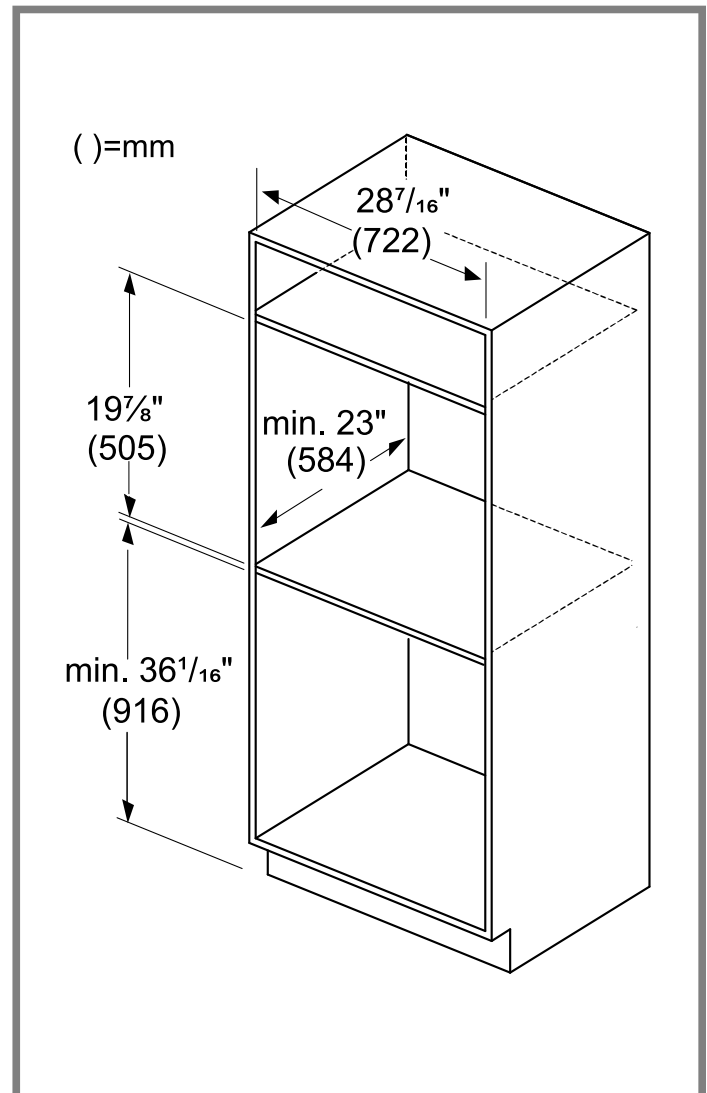


4.2 Dimensions de l'installation

⚠ AVERTISSEMENT

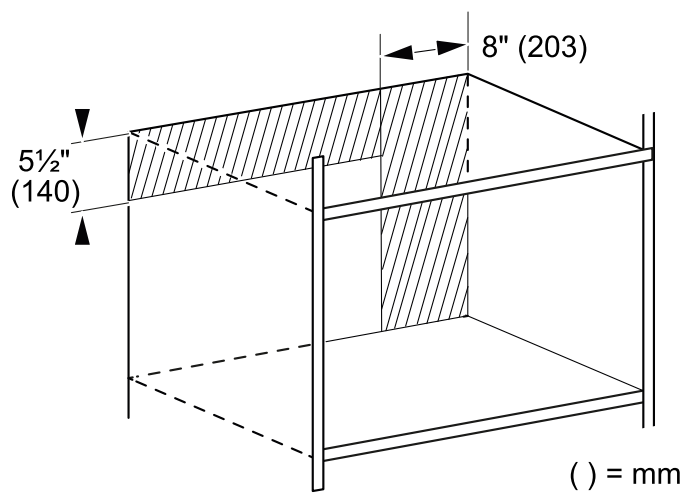
Cet appareil peut être utilisé comme plan de travail ou comme unité encastrée.

- ▶ Pour une installation encastrée, cet appareil doit être monté à une hauteur minimale de 36¹/₁₆" (916 mm).
- ▶ Pour une installation encastrée, le Thermador modèle de l'appareil **MBCS** doit être installé avec la Thermador trousse de garniture dédiée **MBT30CS**, selon les manuel d'installation.



4.3 Emplacement de la prise de courant

La prise de courant peut être située n'importe où dans la zone ombrée.



5 Installation électrique - INSTRUCTIONS DE MISE À LA TERRE

Lisez ces instructions pour connecter votre appareil en toute sécurité à l'alimentation électrique.

5.1 Exigences électriques

Assurez-vous que votre installation électrique prend en charge les exigences suivantes.

⚠ AVERTISSEMENT

Instructions de mise à la terre

- ▶ L'électroménager est doté d'une fiche à trois broches mise à la terre pour vous protéger contre le danger d'électrocution. La fiche doit être utilisée dans une prise correctement mise à la terre. **NE PAS** enlever ni couper la broche de mise à la terre de la fiche.

Modèle	Connexion	Exigences du circuit
MBCS	NEMA 5-15	120 VAC / 60 Hz; 15 A

5.2 Raccordement électrique

⚠ AVERTISSEMENT

La tension utilisée doit être la même que celle indiquée sur cet appareil. L'utilisation d'une tension plus élevée est dangereuse et peut provoquer un incendie ou endommager l'appareil.

Exigences électriques :

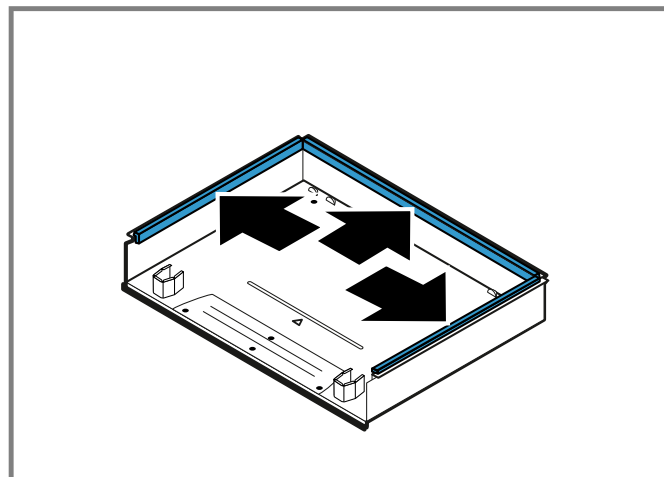
- Tous les modèles de 120 volts doivent être branchés dans une prise de courant à 3 broches avec mise à la terre.
- La prise doit être connectée à une alimentation électrique correctement mise à la terre et polarisée de 120 VAC, monophasée, 60 Hz.
- Source d'alimentation électrique de 15 ampères avec fusible ou disjoncteur.
- Ce produit doit être connecté à un circuit d'alimentation dédié de la tension et de la fréquence appropriées.
- La taille du fil doit être conforme aux exigences du Code national d'électricité ou du code local en vigueur pour cette capacité.
- Le cordon d'alimentation doit être branché sur une prise de courant monophasée séparée de 15 A mise à la terre.
- La boîte de sortie doit être aménagée dans la zone derrière l'appareil.
- La boîte de sortie et le circuit d'alimentation dédié doivent être installés par un électricien qualifié et conformes au code national de l'électricité ou au code local en vigueur.
- La tension utilisée doit être la même que celle indiquée sur la plaque signalétique de cet appareil.
→ "Emplacement de la plaque signalétique", Page 26.
L'utilisation d'une tension plus élevée est dangereuse et peut provoquer un incendie ou endommager l'appareil. L'utilisation d'une tension plus basse ralentira la cuisson. Le fabricant n'est pas responsable de dommages résultant de l'utilisation de l'appareil sur une tension autre que celle spécifiée.
- L'appareil ne doit être connecté qu'à un circuit dédié (avec terre) qui a été installé conformément aux réglementations en vigueur.

6 Procédure d'installation

6.1 Préparation de l'armoire

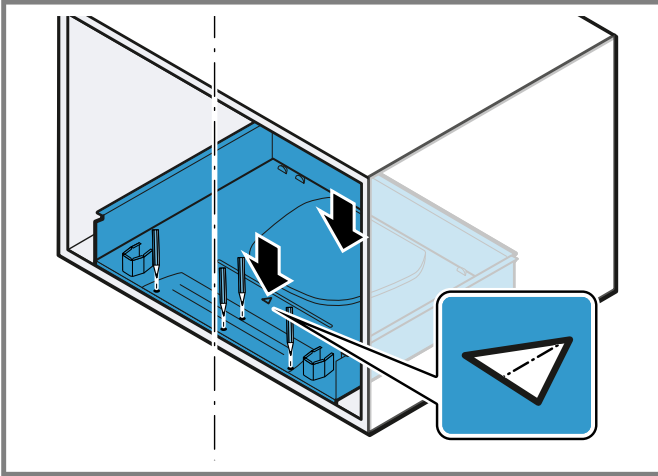
Exigence : L'armoire doit être de niveau et d'équerre.

1. Fixez les bandes de mousse autour des bords supérieurs du plateau de base, comme indiqué.

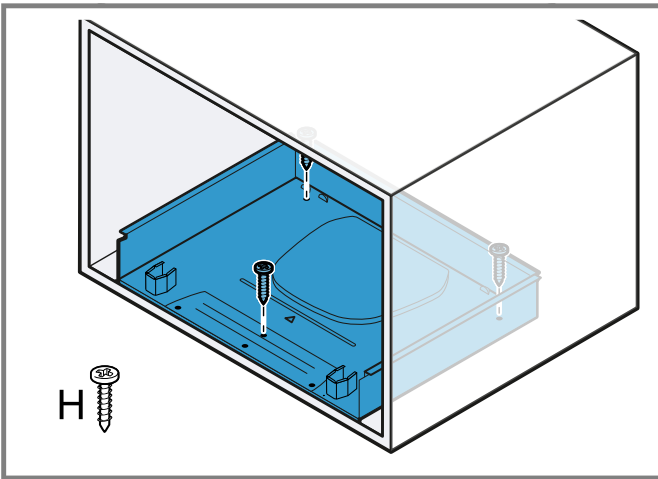


2. Débranchez l'alimentation électrique de la prise du boîtier du disjoncteur.
3. Tracez une ligne médiane au bas de l'armoire.

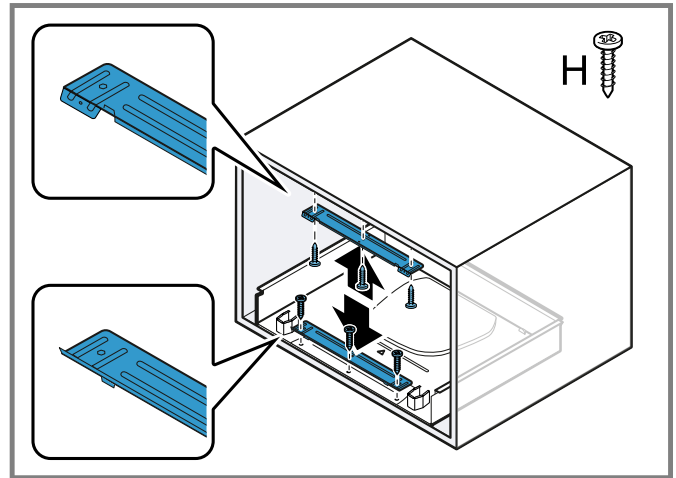
4. Placez le plateau de base dans l'ouverture de l'armoire, en le poussant vers l'arrière jusqu'à ce que le bord avant du plateau de base repose contre le bord avant du bas de l'armoire. Utilisez les trous de perforation triangulaires pour aligner le plateau de base avec la ligne centrale au bas de l'armoire.



5. Marquez 6 trous pour les vis de fixation.
 6. Retirez le plateau de base de l'armoire et percez 6 trous aux emplacements marqués à l'aide d'un foret de 1/16 po (1.6 mm).
 7. Remettez le plateau de base dans l'ouverture de l'armoire, alignez-le comme avant et fixez-le avec 3 vis à bois.



8. Fixez les supports de la trousse de finition en haut et en bas de l'ouverture de l'armoire avec 3 vis à bois chacun.
- Mesurez la hauteur de l'ouverture de la découpe. Si la découpe est supérieure à 19 7/8 po (505) attachez les feuilles d'espacement (K) au support de la trousse de finition supérieure. 1 feuille d'espacement ajoute 1/32 po (1 mm).
 - **Ouverture du haut de l'armoire :** Mesurez et marquez le centre de l'ouverture de l'armoire et alignez-le avec la marque centrale sur le support de la trousse de finition. Alignez le support de la trousse de finition avec le bord avant de l'ouverture de l'armoire. Les brides du support de la trousse de finition doivent pointer vers l'avant et vers le bas.
 - **Ouverture du bas de l'armoire :** Alignez le support de la trousse de finition avec le bord avant du plateau de base. Les brides du support de la trousse de finition doivent pointer vers l'avant et vers le haut. Les trous de perçage dans le support de la trousse de finition et le plateau de base doivent correspondre.



6.2 Installation de l'appareil

⚠ AVERTISSEMENT

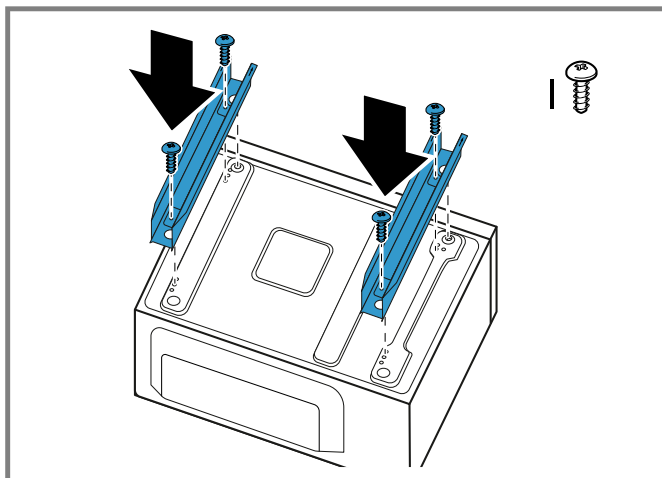
Avant d'installer l'appareil et la trousse de finition, coupez l'alimentation au niveau du panneau de service.

- ▶ Verrouillez le panneau de service pour empêcher que l'alimentation ne soit rétablie par accident.

1. Assurez-vous que la cavité de l'appareil est vide.
2. Demandez à 2 personnes de retourner l'appareil pour accéder au dessous.

Remarque : Posez l'appareil sur le matériau d'emballage pour éviter d'endommager l'appareil et les surfaces de la cuisine.

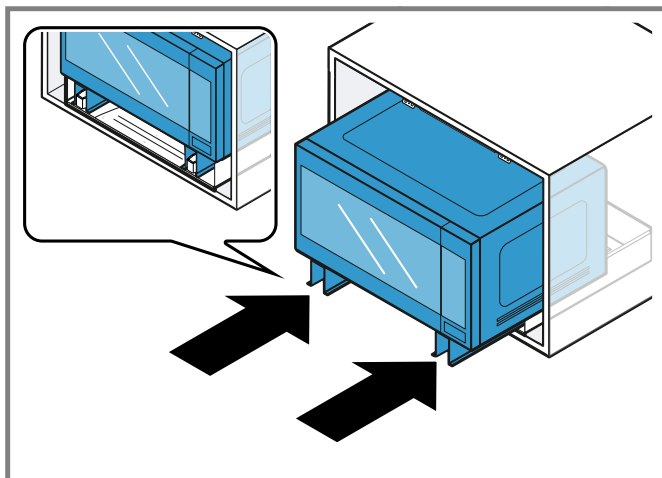
3. Fixez les supports du micro-ondes au bas de l'appareil avec 2 vis à tôle de chaque côté. Les flèches sur les supports du micro-ondes doivent pointer vers l'avant de l'appareil.



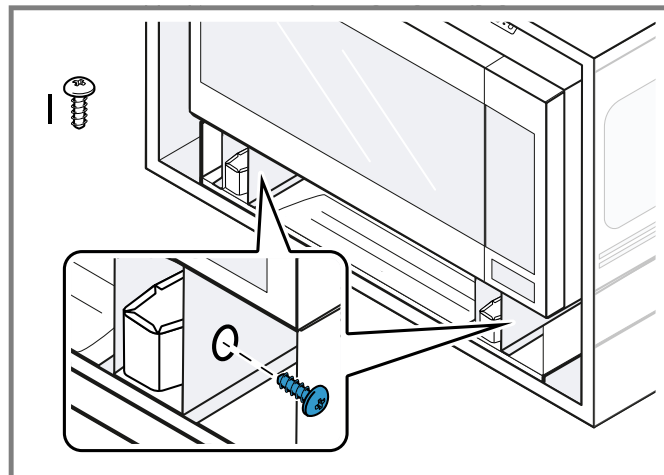
4. Retournez l'appareil et posez-le à l'avant de la découpe du meuble.
5. Acheminez le cordon d'alimentation vers la prise de courant et branchez-le.

Remarque : Assurez-vous de ne pas pincer le cordon d'alimentation lorsque vous poussez le micro-ondes dans la découpe de l'armoire au cours des étapes suivantes.

6. Faites glisser l'appareil dans l'armoire en insérant les supports du micro-ondes sur les guides à l'avant du plateau de base.
– Les supports du micro-ondes doivent affleurer le bord avant du plateau de base.

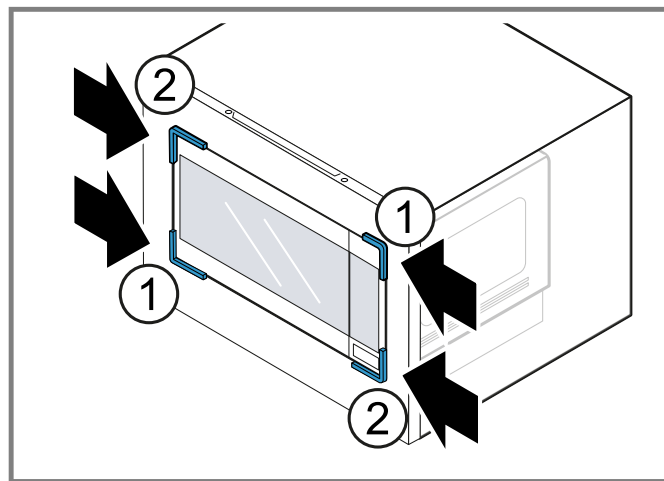


7. Fixez les supports du micro-ondes au plateau de base avec 2 vis à tôle à travers l'intérieur des supports du micro-ondes.



6.3 Installation du cadre de la trousse de finition

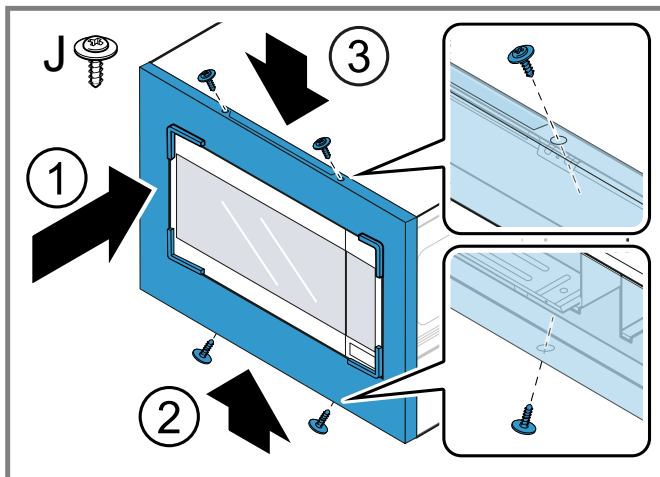
1. Placez le cadre de la trousse de finition à l'avant de l'appareil. Les trous de perçage dans le cadre de la trousse de finition doivent être alignés avec les trous de perçage dans les supports d'installation.
Vérifiez l'impression au dos du cadre de la trousse de finition pour voir quel côté monte.
2. Insérez les 4 cales de réglage entre le cadre de la trousse de finition et l'appareil. Le bord le plus fin des cales de réglage s'insérera dans l'espace en haut ou en bas.



Type de cale de réglage	Position
①	<ul style="list-style-type: none"> ■ Supérieure droit ■ Inférieure gauche
②	<ul style="list-style-type: none"> ■ Supérieur gauche ■ Inférieur droit

3. Vérifiez si la face de l'appareil et la face du cadre de la trousse de finition sont affleurantes et de niveau.
4. Si un ajustement est nécessaire :

- Retirez les cales de réglage.
 - Dévissez les vis de fixation des supports du micro-ondes et ajustez la position de l'appareil. Voir l'étape 7 dans → "Installation de l'appareil", Page 24.
 - Répétez cette étape jusqu'à ce que l'appareil affleure et soit au niveau du cadre de la trousse de finition.
5. Retirez à nouveau les cales de réglage et le cadre de la trousse de finition et serrez complètement les vis sur les supports du micro-ondes.
 6. Placez la trousse de finition sur la façade de l'appareil et insérez à nouveau les 4 cales de réglage ①.
 7. Fixez la trousse de finition avec 4 vis à rondelle dans les trous de perçage. Commencez par les 2 vis inférieures ②, puis continuez avec les 2 vis supérieures ③. Insérez les vis en biais et serrez.



8. Retirez les cales de réglage.
9. Retirez le film protecteur de l'appareil et du cadre de la trousse de finition.

7 Opération d'essai

Vérifiez si l'appareil fonctionne correctement après avoir terminé les étapes d'installation.

1. Mettez sous tension au disjoncteur.
2. Placez une tasse d'eau dans la cavité de l'appareil. Voir manuel pour plus d'informations sur la façon de réchauffer une boisson.
- ✓ Vérifiez que le voyant de la cavité de l'appareil s'allume et que l'eau est chauffée.
3. Vérifiez que la fonction de verrouillage de la porte est activée. Voir la section sur les paramètres de base dans le manuel de cet appareil.
4. Si la tasse d'eau ne chauffe pas comme prévu, contactez le service à la clientèle pour obtenir de l'aide.

8 Service à la clientèle

Lors de toute réparation réalisée dans le cadre de la garantie, nous nous assurons que votre appareil est réparé avec des pièces de rechange d'origine par un

technicien dûment formé et agréé. Nous utilisons exclusivement des pièces de rechange d'origine lors des réparations.

Pour plus d'informations sur la durée et les conditions de la garantie dans votre pays, consultez nos modalités de garantie auprès de votre détaillant ou sur notre site Web. Si vous contactez le service à la clientèle, indiquez le numéro de modèle (E-Nr.) et le numéro de fabrication (FD) de l'appareil.

USA:

1-800-735-4328

www.thermador.com/support

www.thermador.com/us/accessories

CA:

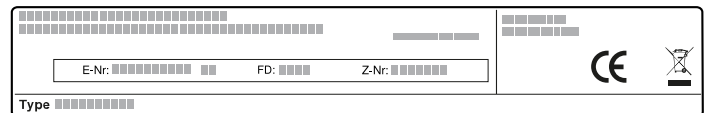
1-800-735-4328

www.thermador.ca

www.thermador.ca/fr/soutien/filtres-nettoyants-accessoires

8.1 Numéro de modèle (E-Nr.) et numéro de fabrication (FD)

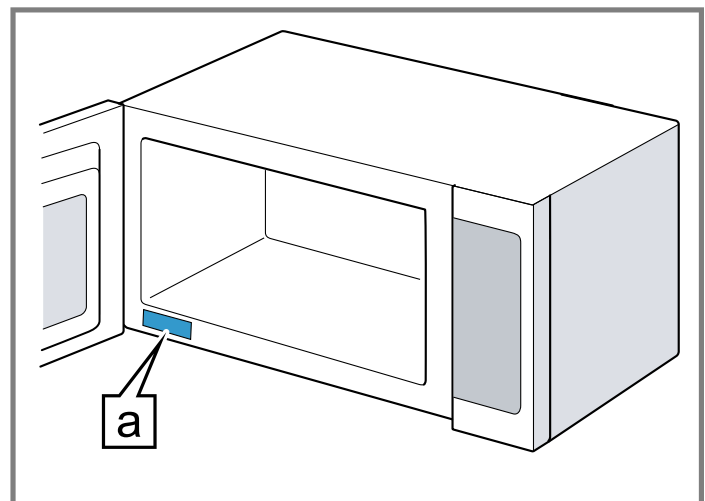
Le numéro de modèle (E-Nr.) et le numéro de fabrication (FD) sont indiqués sur la plaque signalétique de l'appareil.



Pour retrouver rapidement les données de votre appareil et le numéro de téléphone du service à la clientèle, n'hésitez pas à les recopier ailleurs.

8.2 Emplacement de la plaque signalétique

La plaque signalétique est située dans le coin inférieur gauche de la face avant du micro-ondes et est visible lorsque la porte est ouverte.



a Plaque signalétique

Tabla de contenidos

1 Energía microondas.....	28
2 INSTRUCCIONES DE SEGURIDAD	
IMPORTANTES.....	29
2.1 Definiciones de seguridad	29
2.2 Información general	29
2.3 Instrucciones generales de seguridad.....	29
2.4 Seguridad de manejo del aparato	30
2.5 Códigos y normas de seguridad.....	30
2.6 Seguridad eléctrica	31
2.7 INSTRUCCIONES PARA LA PUESTA A TIERRA ..	31
2.8 Seguridad de microondas	31
2.9 Advertencias en virtud de la Proposición 65 del estado de California	32
3 Antes de empezar	33
3.1 Retirada del embalaje	33
3.2 Componentes incluidos	33
3.3 Herramientas y componentes necesarios	34
3.4 Requisitos de potencia y de conexión a tierra	34
4 Requisitos de ubicación.....	34
4.1 Medidas del aparato.....	34
4.2 Dimensiones de montaje.....	34
4.3 Ubicación de la toma de corriente	35
5 Instalación eléctrica: INSTRUCCIONES PARA LA PUESTA A TIERRA.....	36
5.1 Requisitos eléctricos	36
5.2 Conexión eléctrica	36
6 Procedimiento de instalación	36
6.1 Preparación del gabinete	36
6.2 Montar el aparato.....	37
6.3 Montar el marco de los perfiles decorativos	38
7 Comprobación del funcionamiento	39
8 Servicio de atención al cliente	39
8.1 Número de modelo (E-Nr.) y número de fabricación (FD)	39
8.2 Ubicación de la placa de características del aparato.....	39

1 Energía microondas

▲ PRECAUCIONES PARA EVITAR UNA POSIBLE EXPOSICIÓN A UNA EXCESIVA CANTIDAD DE ENERGÍA DE MICROONDAS

- (1) No intente manejar este aparato con la puerta abierta, ya que el funcionamiento con la puerta abierta puede tener como consecuencia una exposición nociva a la energía de microondas. Es importante no anular los enclavamientos de seguridad ni interferir en estos.
- (2) No coloque ningún objeto entre la parte delantera del aparato y la puerta ni permita que se acumulen suciedad ni restos de limpiador en las superficies sellantes.
- (3) No maneje el aparato si está dañado. Es de particular importancia que la puerta del aparato cierre correctamente y que no haya daños en:
 - la puerta (doblada);
 - las bisagras y las trabas (rotas o flojas);
 - los sellos y las superficies sellantes de la puerta..
- (4) Ninguna persona debe ajustar ni reparar el aparato a menos que se trate de personal de servicio técnico autorizado. La instalación, el servicio técnico o el mantenimiento incorrectos pueden causar lesiones o daños materiales. Consulte este manual para su orientación.
Remita todas las reparaciones a un centro de servicio técnico autorizado por la fábrica.



INSTRUCCIONES DE SEGURIDAD IMPORTANTES

LEER TODAS LAS INSTRUCCIONES ANTES DE UTILIZAR EL APARATO

ADVERTENCIA: Leer atentamente todas las instrucciones antes de usarlo. Estas precauciones reducirán el riesgo de producir quemaduras, descargas eléctricas, incendios y lesiones personales, o la exposición a una cantidad excesiva de energía de microondas. A la hora de utilizar aparatos de cocina se deben tomar precauciones de seguridad básicas, incluidas las que se encuentran en las páginas siguientes.

2.1 Definiciones de seguridad

Aquí puede encontrar explicaciones de las palabras de señal de seguridad utilizadas en este manual.

ADVERTENCIA

Esto indica que pueden producirse la muerte o heridas graves si no se cumple con esta advertencia.

PRECAUCIÓN

Esto indica que pueden producirse heridas leves o moderadas si no se cumple con esta advertencia.

AVISO:

Esto indica que pueden producirse daños en el aparato o en los bienes si no se cumple con este aviso.

Nota: Esto alerta sobre información o sugerencias importantes.

2.2 Información general

Esta sección ofrece información general sobre el presente manual.

- Leer detenidamente el presente manual.
- Tener en cuenta los avisos y las instrucciones de seguridad.
- Conservar el manual y la información del producto en un lugar seguro para futuras referencias o para el siguiente propietario.
- Comprobar posibles daños en el aparato una vez desempaquetado. No conectar el aparato si este ha sufrido algún daño durante el transporte.

Todos los manuales de producto pueden descargarse en línea en www.thermador.com/us/support/owner-manuals.

2.3 Instrucciones generales de seguridad

Leer las presentes instrucciones antes de proceder con el montaje del aparato.

IMPORTANTE: CONSERVAR ESTAS INSTRUCCIONES PARA QUE PUEDA USARLAS EL INSPECTOR DE ELECTRICIDAD LOCAL.

INDICACIÓN PARA EL INSTALADOR: ESTAS INSTRUCCIONES DEBEN PERMANECER CON EL APARATO UNA VEZ FINALIZADA LA INSTALACIÓN.

ADVERTENCIA

Si no se sigue con exactitud la información de este manual, se puede producir un incendio o una descarga eléctrica que podrían causar daños materiales o lesiones personales.

ADVERTENCIA

Al utilizar aparatos eléctricos, deben tomarse las precauciones de seguridad básicas, entre las que se encuentran las siguientes:

- ▶ Leer todas las instrucciones antes de utilizar el aparato.
- ▶ En particular, es preciso leer y respetar las PRECAUCIONES PARA EVITAR UNA POSIBLE EXPOSICIÓN A UNA CANTIDAD EXCESIVA DE ENERGÍA DE MICROONDAS, que se encuentran en → *Página 28*
- ▶ Este aparato debe estar conectado a tierra. Se debe conectar únicamente a una toma de corriente debidamente aterrizada. Consultar → *"Instalación eléctrica: INSTRUCCIONES PARA LA PUESTA A TIERRA", Página 36.*
- ▶ Instalar o ubicar este aparato únicamente en conformidad con las instrucciones de instalación proporcionadas.
- ▶ Algunos productos, como los huevos enteros y los recipientes sellados (p. ej., los tarros cerrados de cristal), pueden explotar, por lo que no deben calentarse en este aparato.
- ▶ Utilizar este aparato únicamente para el fin para el cual ha sido diseñado, según lo descrito en el manual. No utilizar productos químicos ni vapores corrosivos en este aparato. Este tipo de aparato está específicamente diseñado para calentar, cocinar o secar alimentos. No está diseñado para su uso industrial o en laboratorios.

CONSERVE ESTAS INSTRUCCIONES.



INSTRUCCIONES DE SEGURIDAD IMPORTANTES

LEER TODAS LAS INSTRUCCIONES ANTES DE UTILIZAR EL APARATO

- ▶ LOS CONTENIDOS CALIENTES PUEDEN CAUSAR QUEMADURAS GRAVES. NO PERMITIR QUE LOS NIÑOS USEN EL MICROONDAS. Proceder con precaución al extraer elementos calientes.
- ▶ No utilizar este aparato si presenta daños en el cable o en el enchufe, si no funciona correctamente, si se ha caído o si ha sufrido daños.
- ▶ Únicamente debe realizar tareas de mantenimiento en el aparato un proveedor de servicios autorizado. Es preciso ponerse en contacto con el proveedor de servicios autorizado más próximo para realizar tareas de inspección, reparación o ajuste.
- ▶ No cubrir ni bloquear las aberturas o los conductos de ventilación del aparato.
- ▶ No instalar este aparato en zonas exteriores. No utilizar este producto cerca del agua, p. ej., cerca de un fregadero, en una superficie húmeda, cerca de una alberca o en lugares similares.
- ▶ No sumergir el cable o el enchufe en agua.
- ▶ Mantener el cable alejado de una superficie caliente.
- ▶ No dejar que el cable cuelgue sobre el borde de la mesa o la cubierta.
- ▶ Al limpiar las superficies de la puerta y el aparato que entran en contacto al cerrar la puerta, aplicar únicamente limpiadores o detergentes no abrasivos con una esponja o un trapo suave. Véanse las instrucciones de limpieza de la superficie de la puerta.

ADVERTENCIA

No reparar, reemplazar ni retirar ninguna parte del aparato a menos que se recomiende específicamente en los manuales. La instalación, el servicio técnico o el mantenimiento incorrectos pueden causar lesiones o daños materiales.

- ▶ Consultar este manual como guía.
- ▶ Cualquier otra labor de mantenimiento debe de ser efectuada por un proveedor de servicios de mantenimiento autorizado.

No modificar ni alterar la construcción del aparato.

- ▶ Por ejemplo, no retirar las patas de nivelación, los paneles, las cubiertas para cables ni los tornillos o soportes antivuelco.

ADVERTENCIA

Retirar toda la cinta y el embalaje antes de usar el aparato.

- ▶ Desechar el embalaje de manera respetuosa con el medio ambiente.

- ▶ No dejar nunca que los niños jueguen con el material de embalaje.

PRECAUCIÓN

Solo para ventilación general.

- ▶ Para evitar el riesgo de incendio o explosión, no utilizar para evacuar materiales y vapores peligrosos o explosivos.

ADVERTENCIA

Para reducir el riesgo de incendio, utilizar únicamente ductos metálicos.

2.4 Seguridad de manejo del aparato

ADVERTENCIA



La unidad pesa mucho y se requieren al menos dos personas o un equipo adecuado para trasladarla.

- ▶ No levantar el aparato agarrándolo del asa de la puerta.

ADVERTENCIA



Las superficies ocultas pueden tener bordes afilados.

- ▶ Proceder con cuidado al intentar sujetar el aparato por la parte trasera o desde abajo.
- ▶ Usar guantes para evitar cortes en los dedos por los bordes afilados durante la instalación.

2.5 Códigos y normas de seguridad

Este aparato cumple con la última versión de una o varias de las siguientes normas:

- CAN/CSA C22.2 n.º 150: hornos microondas
- CAN/CSA-C22.2 n.º 61: electrodomésticos de cocción
- CSA-C22.2 n.º 64: electrodomésticos de cocción y de calentamiento de líquidos
- UL 1026: electrodomésticos eléctricos de cocción y para servir comida
- UL 923: electrodomésticos de cocción con microondas
- UL 858: estufas eléctricas de uso doméstico
- UL 507: Ventiladores eléctricos
- CAN/CSA C22.2 n.º 113: Ventiladores y ventilaciones

Es responsabilidad del propietario y del instalador determinar si son aplicables otros requisitos y/o normas en instalaciones específicas.



INSTRUCCIONES DE SEGURIDAD IMPORTANTES

LEER TODAS LAS INSTRUCCIONES ANTES DE UTILIZAR EL APARATO

2.6 Seguridad eléctrica

- **Instalador:** es preciso mostrar al propietario la ubicación del breaker del circuito o del fusible. Marcarla para recordarla más fácilmente.
- Si el Código Nacional Eléctrico (o el Código Eléctrico Canadiense) así lo exige, este aparato debe instalarse con un circuito derivado dedicado por separado.
- Las normativas locales varían. El instalador es responsable de asegurarse de que la instalación, las conexiones y la toma de tierra cumplan con todas las normativas aplicables. El fabricante no es responsable de la instalación incorrecta o de la omisión de seguir los códigos y regulaciones locales aplicables.
- Asegurarse de que el aparato esté correctamente instalado y conectado a tierra por un técnico calificado. La instalación, las conexiones eléctricas y la puesta a tierra deben cumplir con todas las normas aplicables.
- Para obtener más información, consultar la placa de características.
→ *"Ubicación de la placa de características del aparato", Página 39*

ADVERTENCIA

Antes de realizar la instalación, desconectar la alimentación eléctrica en el panel de servicio.

- ▶ Bloquear el panel de servicio para impedir que se conecte accidentalmente la alimentación eléctrica.

Antes de la instalación, debe desenchufarse el aparato de la fuente de alimentación.

Para los aparatos provistos de cable y enchufe, no cortar ni retirar la terminal de conexión a tierra;

- ▶ se requiere para enchufarla en un receptáculo adecuado con conexión a tierra para evitar descargas eléctricas.
 - ▶ Si se tienen dudas acerca de si el enchufe de la pared tiene una conexión a tierra adecuada, el cliente debería pedirle a un electricista calificado que lo compruebe.
- Antes de enchufar un cable eléctrico o encender la fuente de alimentación eléctrica, asegúrese de que todos los controles se encuentren en la posición OFF (apagado).

2.7 INSTRUCCIONES PARA LA PUESTA A TIERRA

Este aparato debe estar conectado a tierra. La conexión a tierra reduce el riesgo de descargas eléctricas, ya que proporciona una vía de escape de la corriente eléctrica en caso de cortocircuito.

Este aparato debe estar puesto a tierra. Se debe conectar únicamente a una toma de corriente debidamente conectada a tierra.

→ *"Instalación eléctrica: INSTRUCCIONES PARA LA PUESTA A TIERRA", Página 36*

ADVERTENCIA

UNA PUESTA A TIERRA INCORRECTA PUEDE CAUSAR UNA DESCARGA ELÉCTRICA

- ▶ Es preciso consultar con un electricista calificado si no se comprende la totalidad de las instrucciones de puesta a tierra o si se tiene alguna duda respecto de si el aparato está correctamente conectado a tierra.
- ▶ NO USAR UN CABLE DE EXTENSIÓN.
- ▶ Si el cable de suministro de alimentación es demasiado corto, se deberá solicitar a un electricista calificado que instale una toma de corriente cerca del aparato.

Este aparato está equipado con un cable de conexión a tierra y con un enchufe de conexión a tierra. El enchufe debe conectarse en una toma que esté correctamente instalada y conectada a tierra.

2.8 Seguridad de microondas

PRECAUCIONES QUE DEBEN TOMARSE ANTES Y DURANTE EL MANTENIMIENTO PARA EVITAR UNA POSIBLE EXPOSICIÓN A UNA CANTIDAD EXCESIVA DE ENERGÍA DE MICROONDAS

- No manejar ni permitir el manejo del aparato con la puerta abierta.
- Efectuar las siguientes comprobaciones de seguridad en todos los aparatos en los que se vayan a realizar tareas de mantenimiento antes de activar el magnetron u otra fuente de microondas y ejecutar las reparaciones pertinentes:
 - Funcionamiento del sistema de bloqueo (interlock)
 - Cierre correcto de la puerta
 - Juntas y superficies de sellado (curvatura, desgaste y otros daños)
 - Bisagras y pestillos dañados o sueltos

CONSERVE ESTAS INSTRUCCIONES.



INSTRUCCIONES DE SEGURIDAD IMPORTANTES

LEER TODAS LAS INSTRUCCIONES ANTES DE UTILIZAR EL APARATO

- Señales de caídas o uso indebido
- Antes de conectar el aparato a la corriente eléctrica para cualquier prueba de mantenimiento o inspección en los compartimientos que generan las microondas, comprobar que el magnetrón, la guía de ondas o la línea de transmisión y la cavidad estén íntegros y correctamente alineados y conectados.
- Es preciso reparar, sustituir o ajustar todo componente dañado o mal configurado en el interlock, la pantalla, la junta de la puerta y los sistemas de generación y transmisión de microondas siguiendo los procedimientos descritos en este manual antes de entregar el aparato a su propietario.
- Antes de entregarlo a su propietario, es preciso realizar en cada aparato una comprobación de fugas de microondas para corroborar el cumplimiento de la Normativa Federal sobre Desempeño.

2.9 Advertencias en virtud de la Proposición 65 del estado de California

Este producto puede contener un químico que el Estado de California reconoce como potencialmente cancerígeno o causante de daños reproductivos. Por tanto, su producto debe llevar en su embalaje la siguiente etiqueta de conformidad con la legislación de California:

ADVERTENCIA EN VIRTUD DE LA PROPOSICIÓN 65 DEL ESTADO DE CALIFORNIA:

⚠ ADVERTENCIA

Cáncer y daño reproductivo - www.P65Warnings.ca.gov

3 Antes de empezar

Leer estas instrucciones antes de comenzar la instalación del aparato.

Todos los gráficos son representativos. La apariencia y las funciones del aparato pueden variar.

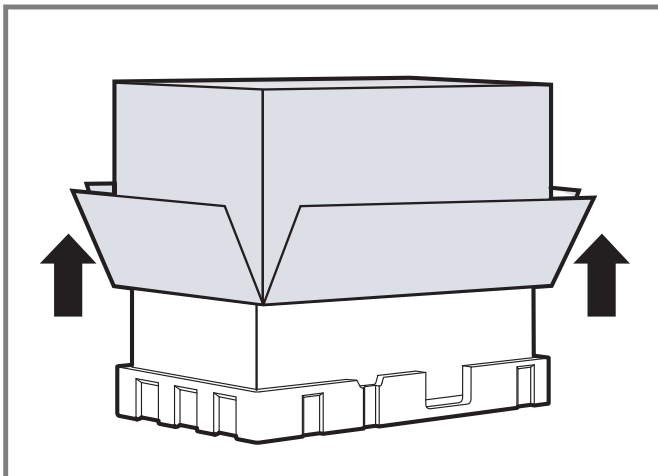
3.1 Retirada del embalaje

AVISO:

Para evitar daños, no se debe agarrar ni manipular la puerta (ni su manija) mientras el aparato se está desplazando.

1. Abrir la caja del aparato.

- Plegar completamente las 4 solapas de cartón contra los costados.
- Retirar la bandeja giratoria de vidrio y el aro de rodillos.
- Inclinar cuidadosamente el aparato con su cartón para que repose sobre su parte superior. El aparato debe continuar apoyado sobre el embalaje.
- Sacar el cartón del aparato.



2. Abrir la caja de los perfiles decorativos. ¡NO utilice un cuchillo ni un objeto afilado!

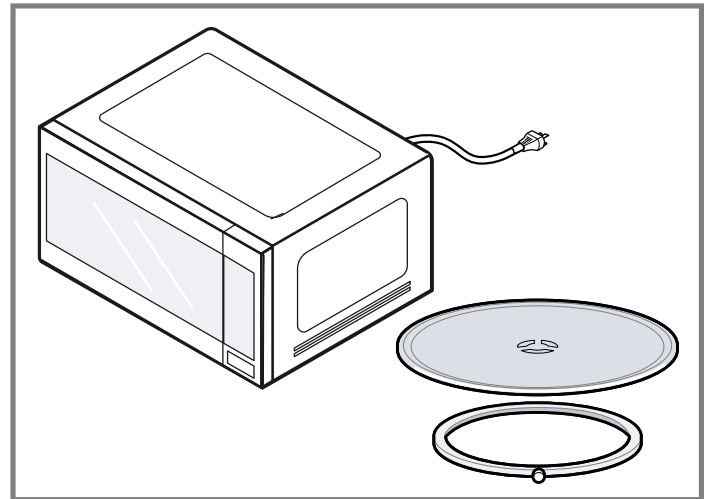
- Rompa con cuidado la cinta y luego plegar completamente las 4 solapas de cartón para acceder a los accesorios de los perfiles decorativos.

3.2 Componentes incluidos

Después de desembalar el aparato, verifique que todas las piezas no presenten daños ocasionados durante el transporte, así como que el volumen de suministro esté completo.

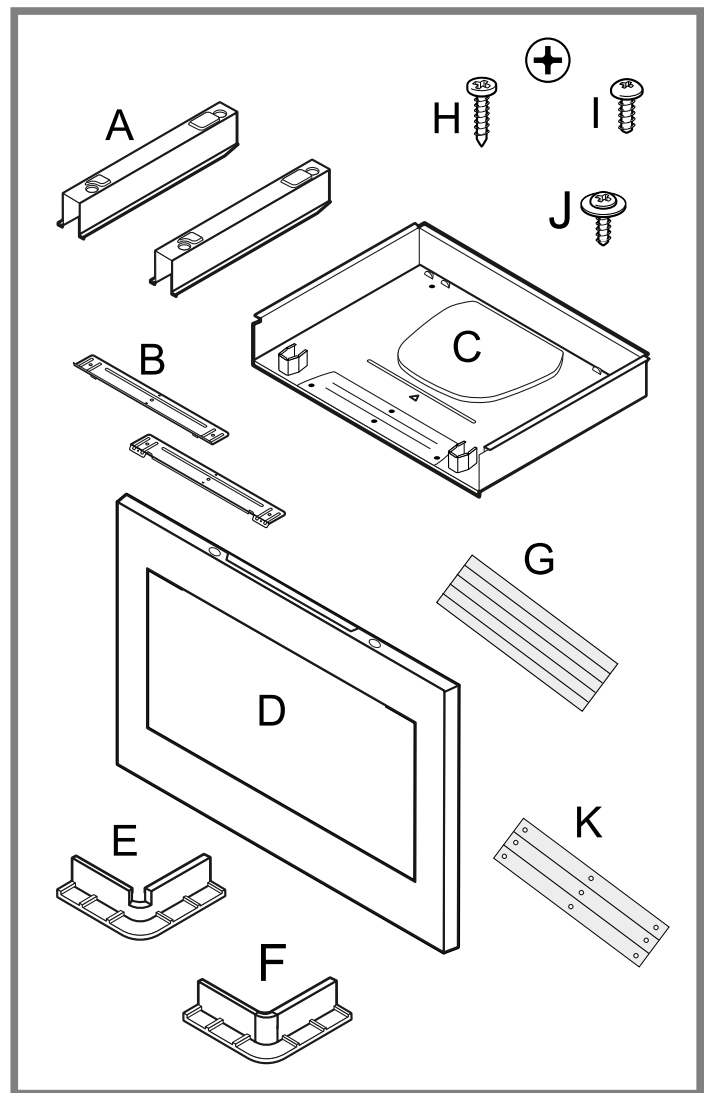
El microondas y los perfiles decorativos se suministran en dos cajas separadas.

Aparato



- Microondas
- Bandeja giratoria de vidrio con aro de rodillos

Perfiles decorativos



- A Placas de soporte del microondas (2)
- B Placas de fijación de los perfiles decorativos (2)
- C Recipiente de la base (1)

D	Marco de los perfiles decorativos
E	Tipo de calzas de ajuste ① (2) Para el marco de los perfiles decorativos
F	Tipo de calzas de ajuste ② (2) Para el marco de los perfiles decorativos
G	Tiras de espuma (5)
H	Tornillos para madera (9)
I	Tornillos para placa metálica (6)
J	Tornillos con arandela (4)
K	Placa de relleno (3)

3.3 Herramientas y componentes necesarios

Preparar las siguientes herramientas y artículos antes de comenzar la instalación del aparato.

- Desarmador Phillips
- Lápiz
- Cinta métrica
- Borde recto
- Taladrar con broca de 1/16" (1.5 mm)
- Guantes de seguridad
- Gafas de seguridad
- Nivel

Partes adicionales requeridas:

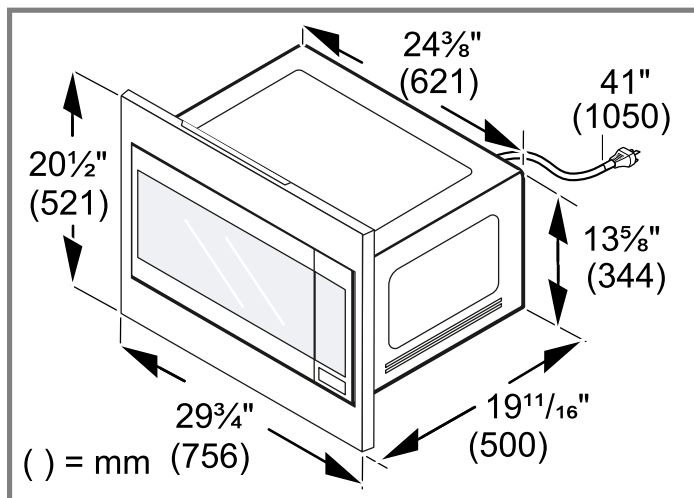
- Perfiles decorativos de 30" (se adquiere por separado): **MBT30CS**

3.4 Requisitos de potencia y de conexión a tierra

El contacto para el enchufe debe estar puesto a tierra de forma adecuada, en conformidad con todas las normas aplicables.

4 Requisitos de ubicación

4.1 Medidas del aparato

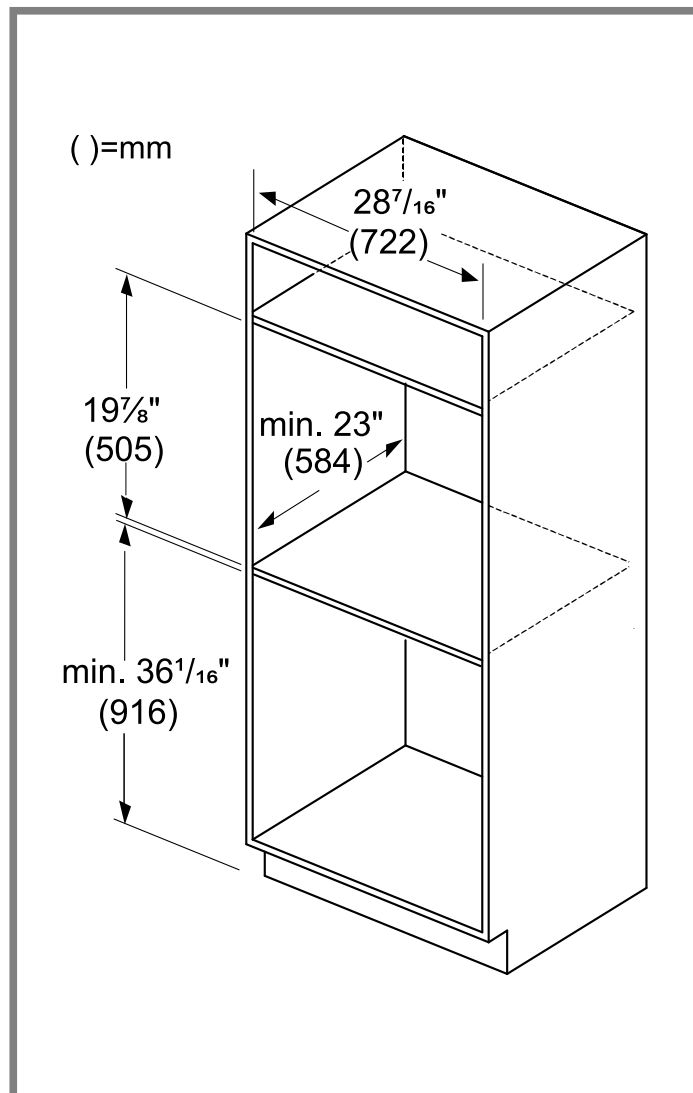


4.2 Dimensiones de montaje

⚠ ADVERTENCIA

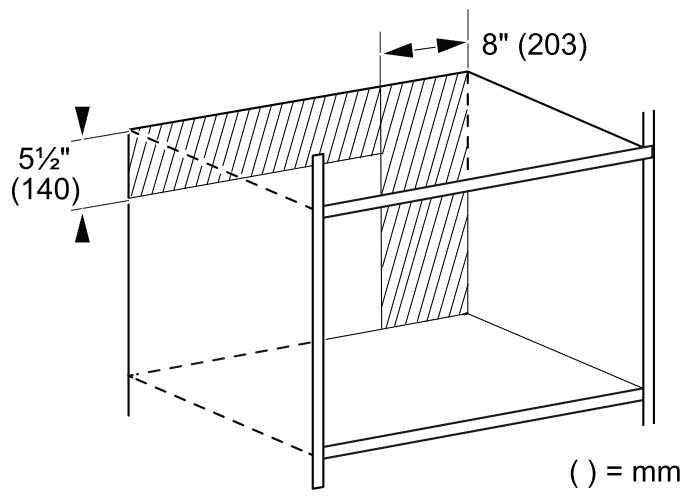
Este aparato se puede utilizar como encimera, o como unidad integrable.

- ▶ Para el montaje integrado, el aparato debe montarse a una altura mínima de 36 1/16" (916 mm).
- ▶ Para el montaje integrado, el Thermador modelo de aparato **MBCS** se debe instalar con los Thermador perfiles decorativos específicos **MBT30CS**, según se indica en las manual de instalación.



4.3 Ubicación de la toma de corriente

La toma de corriente puede estar ubicada en cualquier parte dentro del área sombreada.



5 Instalación eléctrica: INSTRUCCIONES PARA LA PUESTA A TIERRA

Leer las presentes instrucciones para conectar con seguridad el aparato al suministro eléctrico.

5.1 Requisitos eléctricos

Es preciso asegurarse de que la instalación eléctrica sea compatible con los siguientes requisitos.

⚠ ADVERTENCIA

Instrucciones para poner a tierra la instalación eléctrica

- ▶ Este aparato está equipado con un enchufe de conexión a tierra de tres clavijas para proteger contra los riesgos de descargas eléctricas y debe conectarse directamente a un enchufe con toma de tierra. **NO** cortar ni quitar la clavija de conexión a tierra de este enchufe.

Modelo	Conexión	Requisitos relativos al circuito
MBCS	NEMA 5-15	120 V CA/60 Hz; 15 A

5.2 Conexión eléctrica

⚠ ADVERTENCIA

El voltaje utilizado deber ser el mismo que el que se especifica en este aparato. Utilizar un voltaje mayor es peligroso y podría ocasionar un incendio o dañar el aparato.

Requisitos eléctricos:

- Todos los modelos de 120 voltios se deben enchufar en un receptáculo de conexión a tierra de 3 puntas.
- El receptáculo debe estar conectado a una fuente de alimentación eléctrica dedicada debidamente polarizada y puesta a tierra con una capacidad nominal de 120 V CA, monofásica, 60 Hz.
- Alimentación eléctrica de 15 A con un fusible o un interruptor automático.
- Este producto se debe conectar a un circuito de alimentación dedicado de voltaje y frecuencia adecuados.
- El calibre del cable debe cumplir con los requisitos del Código Eléctrico Nacional o del código local vigente para esta clasificación.
- El cable de alimentación se debe enchufar a una toma de corriente monofásica separada de 15 A con conexión a tierra.
- La caja de la toma de corriente debe estar ubicada en la zona detrás del aparato.
- La caja de la toma de corriente y el circuito de alimentación dedicado deben ser instalados por un electricista calificado y cumplir con el Código Eléctrico Nacional o el código local vigente.
- El voltaje utilizado deber ser el mismo que el que se especifica en la placa de características de este aparato.

→ "Ubicación de la placa de características del aparato", *Página 39*. Utilizar un voltaje mayor es peligroso y podría ocasionar un incendio o dañar el aparato.

Utilizar un voltaje menor causará una cocción lenta. El fabricante no es responsable de los daños resultantes del uso del aparato con un voltaje distinto al especificado.

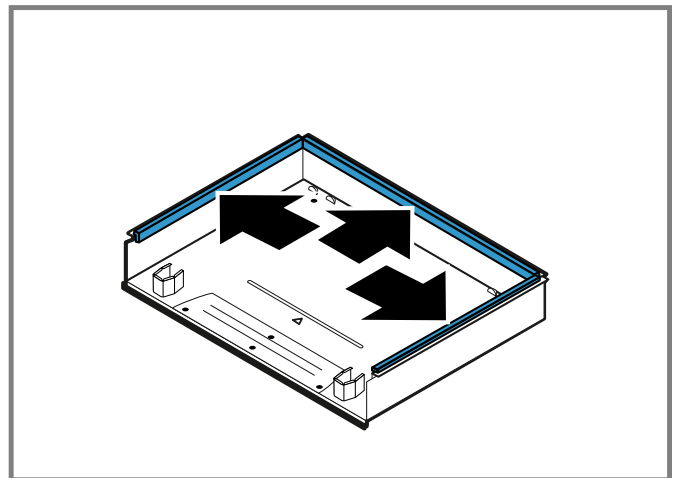
- El aparato solo se debería conectar a un circuito dedicado (conectado a tierra) que haya sido instalado conforme a las regulaciones aplicables.

6 Procedimiento de instalación

6.1 Preparación del gabinete

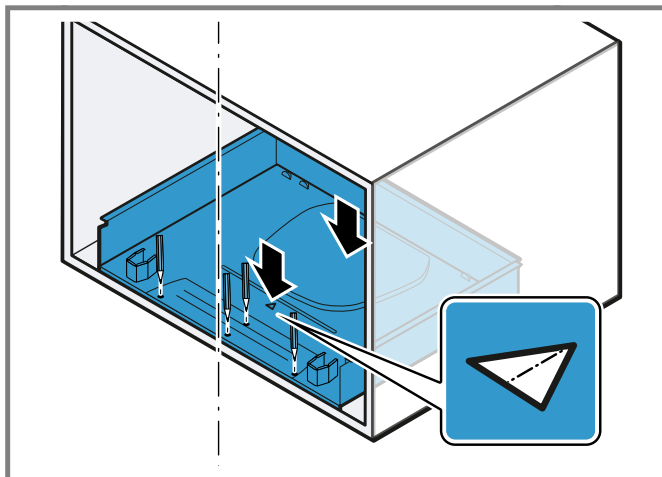
Requisito: El gabinete debe estar nivelado y cuadrado.

1. Colocar las tiras de espuma alrededor de los bordes superiores del recipiente de la base como se indica.

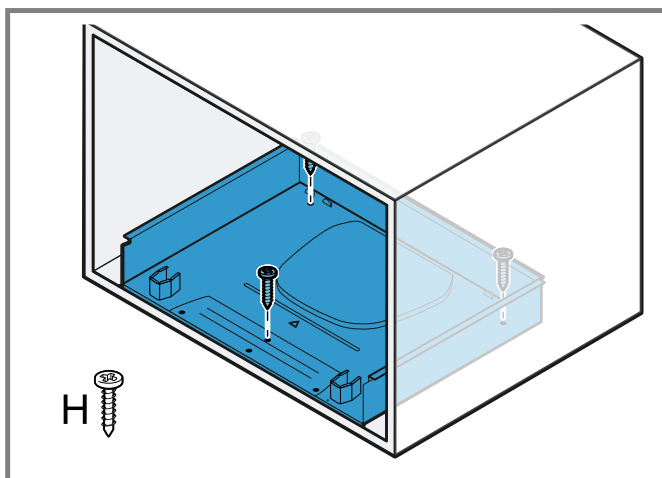


2. Desconectar el suministro de potencia a la toma de corriente en la caja del disyuntor.
3. Dibujar una línea central en el fondo del gabinete.

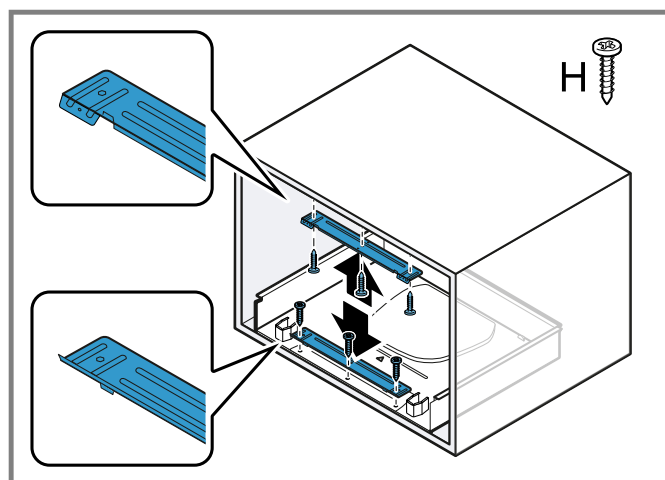
4. Colocar el recipiente de la base en la abertura del gabinete y empujar hasta que el borde delantero del recipiente de la base se apoye contra el borde delantero del fondo del gabinete. Utilizar los orificios perforados triangulares para alinear el recipiente de la base con la línea central del fondo del gabinete.



5. Marcar 6 orificios para los tornillos de sujeción.
 6. Retirar el recipiente de la base del gabinete y perforar 6 orificios en las posiciones marcadas utilizando una broca de $\frac{1}{16}$ " (1.6 mm).
 7. Volver a colocar el recipiente de la base en la abertura del gabinete, alinear como anteriormente y fijarlo con 3 tornillos para madera.



8. Asegurar las placas de fijación de los perfiles decorativos en la parte superior e inferior de la abertura del gabinete con 3 tornillos para madera cada uno.
- Medir la altura del hueco del gabinete. Si el hueco es mayor a $19\frac{7}{8}$ " (505 mm), fijar las placas de relleno (K) a la placa de fijación superior de los perfiles decorativos. Cada placa de relleno añade $\frac{1}{32}$ " (1 mm).
 - **Parte superior de la abertura del gabinete:** medir y marcar el centro de la abertura del gabinete y alinearlos con la marca central de la placa de fijación de los perfiles decorativos. Alinear la placa de fijación de los perfiles decorativos con el borde delantero de la abertura del gabinete. Las pestañas de la placa de fijación de los perfiles decorativos deben quedar colocadas hacia la parte delantera y hacia abajo.
 - **Parte inferior de la abertura del gabinete:** alinear la placa de fijación de los perfiles decorativos con el borde delantero del recipiente de la base. Las pestañas de la placa de fijación de los perfiles decorativos deben quedar colocadas hacia la parte delantera y hacia arriba. Los orificios de la placa de fijación de los perfiles decorativos deben coincidir con los del recipiente de la base.



6.2 Montar el aparato

⚠ ADVERTENCIA

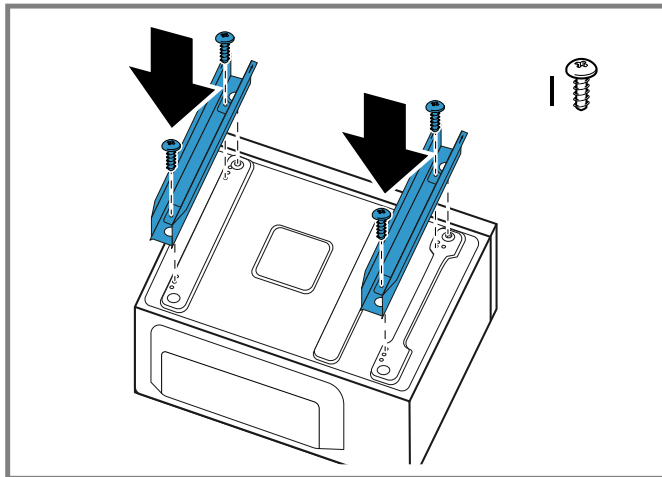
Antes de instalar el aparato y los perfiles decorativos, desconecte la alimentación eléctrica en el panel de servicio.

- ▶ Bloquear el panel de servicio para impedir que se conecte accidentalmente la alimentación eléctrica.

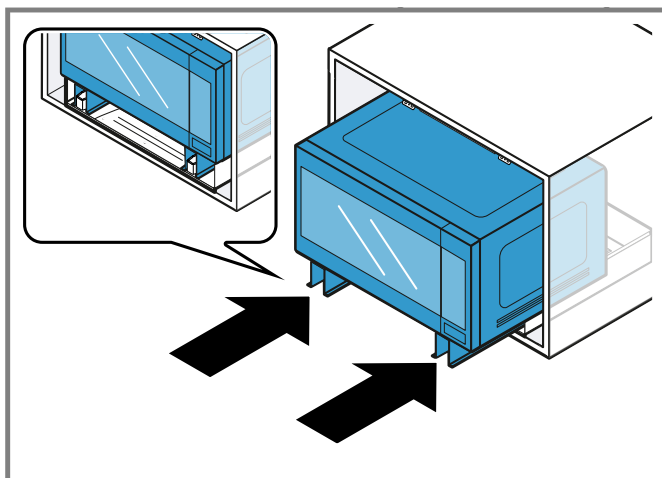
1. Verificar que la cavidad del aparato esté vacía.
2. Entre 2 personas voltear el aparato para acceder a la parte inferior.

Nota: Apoyar el aparato sobre el material de embalaje para evitar daños en el aparato y en las superficies de la cocina.

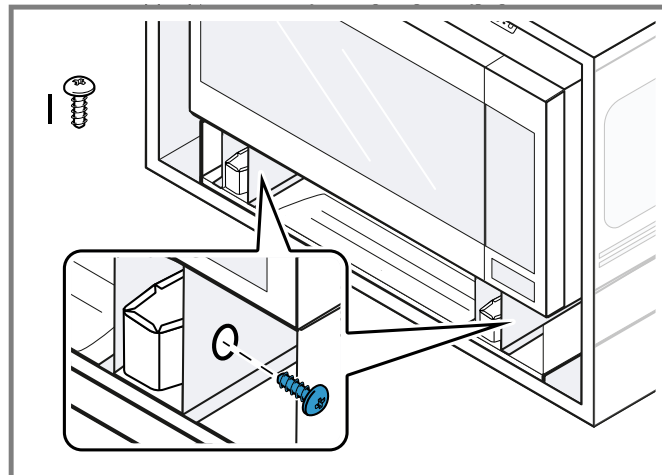
- Colocar las placas de soporte del microondas en la parte inferior del aparato con 2 tornillos para placa metálica en cada lado. Las flechas en las placas de soporte del microondas deben quedar colocadas hacia la parte delantera del aparato.



- Voltear el aparato y apoyarlo en la parte delantera del hueco del gabinete.
 - Pasar el cable de alimentación hasta la toma de corriente y enchufarlo.
- Nota:** Asegurarse de no pellizcar el cable de alimentación al empujar el microondas hacia el interior del hueco del gabinete en los pasos siguientes.
- Deslizar el aparato hacia el interior del gabinete insertando las placas de soporte del microondas por encima de las guías de la parte delantera del recipiente de la base.
 - Las placas de soporte del microondas deben quedar alineadas con el borde delantero del recipiente de la base.



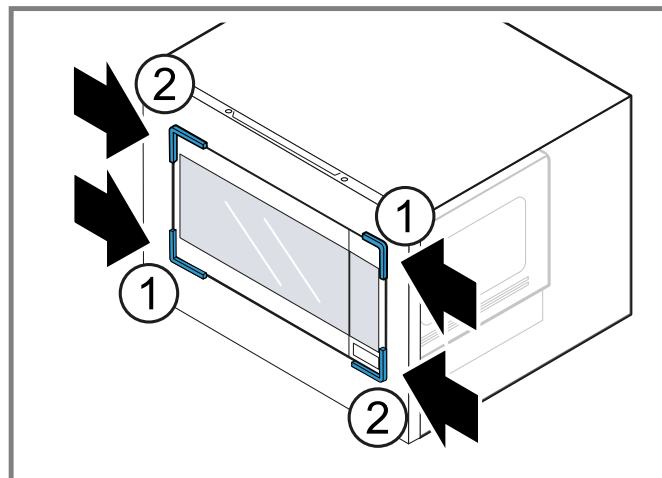
- Fijar las placas de soporte del microondas al recipiente de la base con 2 tornillos para placa metálica a través del interior de las placas de soporte del microondas.



6.3 Montar el marco de los perfiles decorativos

- Colocar el marco de los perfiles decorativos sobre la parte delantera del aparato. Los orificios del marco de los perfiles decorativos deben quedar alineados con los orificios de las placas de instalación.

La impresión de la parte trasera del marco de los perfiles decorativos indica cuál es el lado que va hacia arriba.
- Insertar las 4 calzas de ajuste entre el marco de los perfiles decorativos y el aparato. El borde más delgado de las calzas de ajuste se colocará en el espacio de la parte superior o inferior.

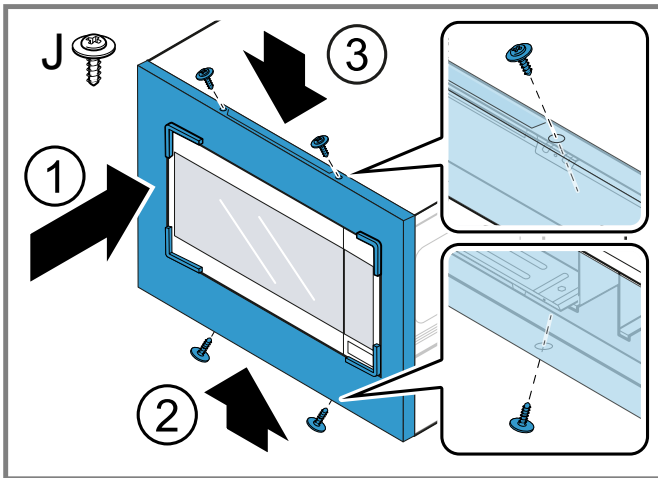


Tipo de calza de ajuste	Posición
-------------------------	----------

- | | |
|---|--|
| ① | <ul style="list-style-type: none"> Parte superior derecha Parte inferior izquierda |
| ② | <ul style="list-style-type: none"> Parte superior izquierda Parte inferior derecha |

- Comprobar si la parte delantera del aparato y la parte delantera del marco de los perfiles decorativos quedan alineadas y niveladas.

4. Si fuera necesario ajustar:
 - Retirar las calzas de ajuste.
 - Aflojar los tornillos de sujeción de las placas de soporte del microondas y ajustar la posición del aparato. Consultar el paso 7 de → "Montar el aparato", *Página 37*.
 - Repetir este paso hasta que el aparato quede alineado y nivelado con el marco de los perfiles decorativos.
5. Volver a retirar las calzas de ajuste y el marco de los perfiles decorativos, y apretar completamente los tornillos de las placas de soporte del microondas.
6. Colocar los perfiles decorativos sobre la parte delantera del aparato y volver a insertar las 4 calzas de ajuste ①.
7. Fijar los perfiles decorativos con 4 tornillos con arandela a través de los orificios. Comenzar con los 2 tornillos inferiores ②, después continuar con los 2 tornillos superiores ③. Insertar los tornillos en ángulo y apretar.



8. Retirar las calzas de ajuste.
9. Retirar la lámina protectora del aparato y del marco de los perfiles decorativos.

7 Comprobación del funcionamiento

Una vez completados los pasos de instalación, comprobar si el aparato funciona correctamente.

1. Encender la energía eléctrica en el interruptor automático.
2. Colocar una taza de agua en la cavidad del aparato. Consultar manual para obtener información sobre cómo calentar una bebida.
- ✓ Verificar que la luz de la cavidad del aparato se encienda y que el agua se caliente.
3. Verificar que se activa la función de bloqueo de la puerta. Consultar la sección de ajustes básicos en el manual de este aparato.
4. Si la taza de agua no se calienta como se esperaba, póngase en contacto con servicio de atención al cliente para solicitar asistencia.

8 Servicio de atención al cliente

En cada reparación cubierta por la garantía, nos aseguramos de que su aparato sea reparado con repuestos originales por un proveedor de servicio capacitado y autorizado. Solo utilizamos repuestos originales para todos los tipos de reparaciones. Las informaciones detalladas sobre el periodo de validez de la garantía y las condiciones de garantía las podrá encontrar en nuestras condiciones de garantía, con su distribuido o en nuestra página web.

Cuando se ponga en contacto con el servicio de atención al cliente, no olvide indicar el número de modelo (E-Nr.) y el número de fabricación (FD) de su aparato.

USA:

1-800-735-4328

www.thermador.com/support

www.thermador.com/us/accessories

CA:

1-800-735-4328

www.thermador.ca

www.thermador.ca/en/support/filters-cleaners-accessories

8.1 Número de modelo (E-Nr.) y número de fabricación (FD)

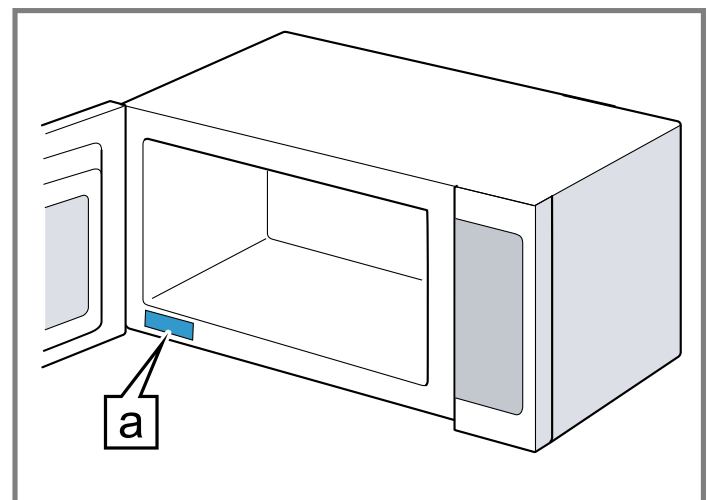
El número de modelo (E-Nr.) y el número de fabricación (FD) se encuentran en la placa de características del aparato.



Para volver a encontrar rápidamente los datos del aparato o el número de teléfono del servicio de atención al cliente, puede anotar dichos datos.

8.2 Ubicación de la placa de características del aparato

La placa de características está ubicada en la esquina inferior izquierda de la parte delantera del microondas y es visible cuando la puerta está abierta.

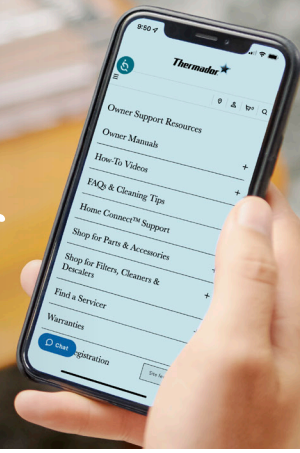


a Placa de características



A series of horizontal lines for writing, starting from the top of the page and extending downwards. The lines are evenly spaced and cover most of the page's width.

Thermador[®] ★ Exclusive Insider Information



[Thermador.com/us/support/quicklinks](https://thermador.com/us/support/quicklinks)



Owner Manuals

Download owner manuals, specifications and CADs.



How-To Videos

View instructional videos for changing water filters, cleaning, adjusting settings, and beyond.



FAQs & Cleaning Tips

Browse through cleaning, usage, and troubleshooting tips.



Home Connect[®] Support

Find the answers to all your Home Connect[®] related questions.



Thermador Accessories Store

Purchase filters, cleaners, accessories, and parts.



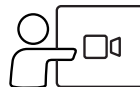
Warranties

View information on Thermador product warranties.



Product Registration

Register your products today to easily manage your appliance information.



Virtual Demo

Schedule a product overview to receive step-by-step guidance on using your appliance.



Virtual Showroom

Take a Virtual Showroom tour to view and interact with our entire collection of appliances.



Newsletter

Get the latest information on product news and events.



Blog

Read about the latest in home design and culinary inspiration.



Recipes

Need inspiration for your next gathering? Browse our vast collection of recipes.

1901 MAIN STREET, SUITE 600 IRVINE, CA 92614 USA // 1-800-735-4328 // WWW.THERMADOR.COM

© 2024 BSH HOME APPLIANCES CORPORATION

8001298252 // en-us, fr-ca, es-mx // 040528

