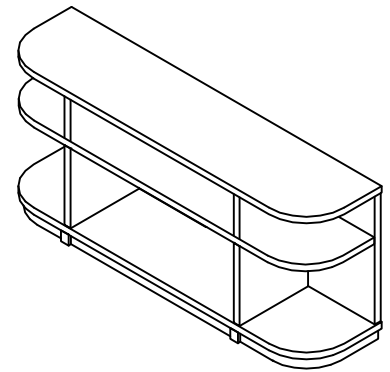


Warning :

- Be sure to check all packing material carefully for small parts, which may have come loose inside the carton during shipment.
- To prevent possible scratches and damage, this furniture **MUST BE ASSEMBLED BY TWO PEOPLE** on a soft surface such as a blanket or carpet.

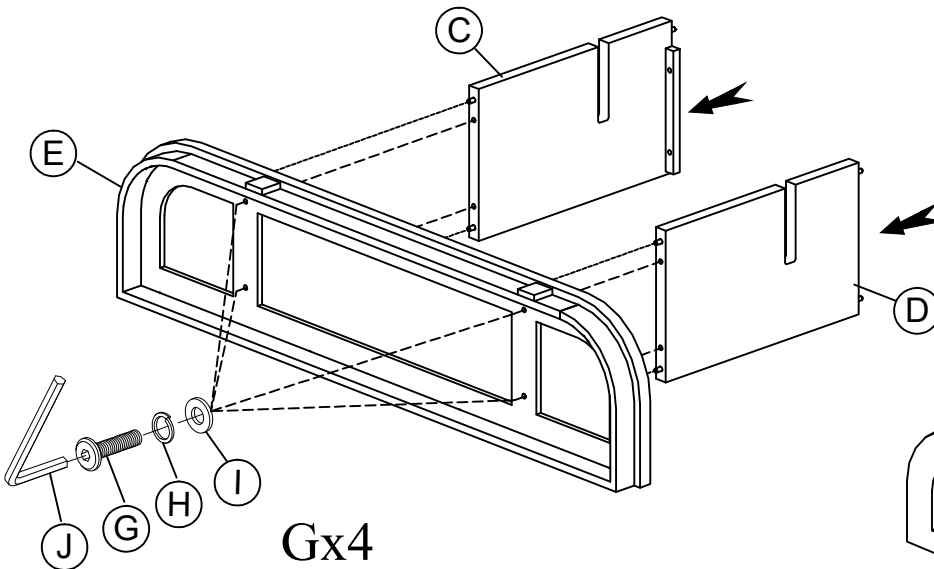
Important Use Information: We recommend using coasters, placemats and trivets when placing hot or cold containers on this item. It is also recommended to quickly cleanup any spills to minimize exposure to moisture. Doing so will prolong the life and look of the item for many years.



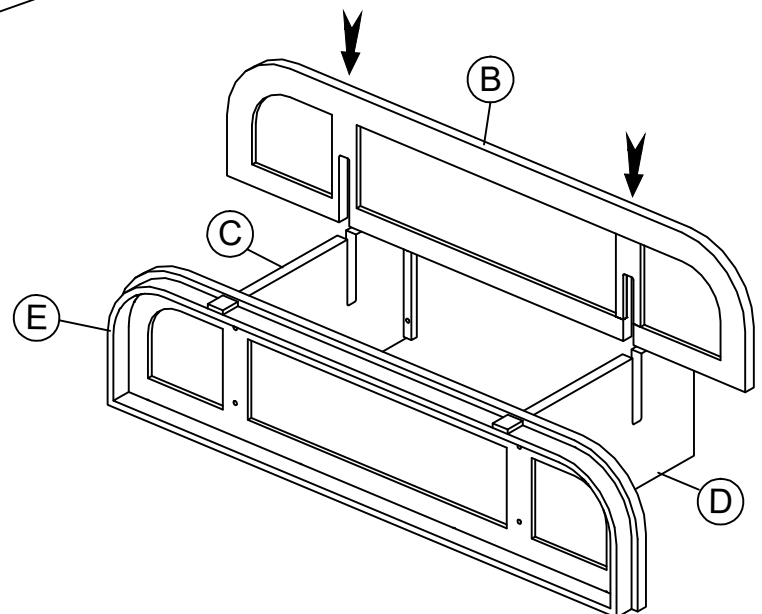
18815
Sofa Table

Components and Hardware List

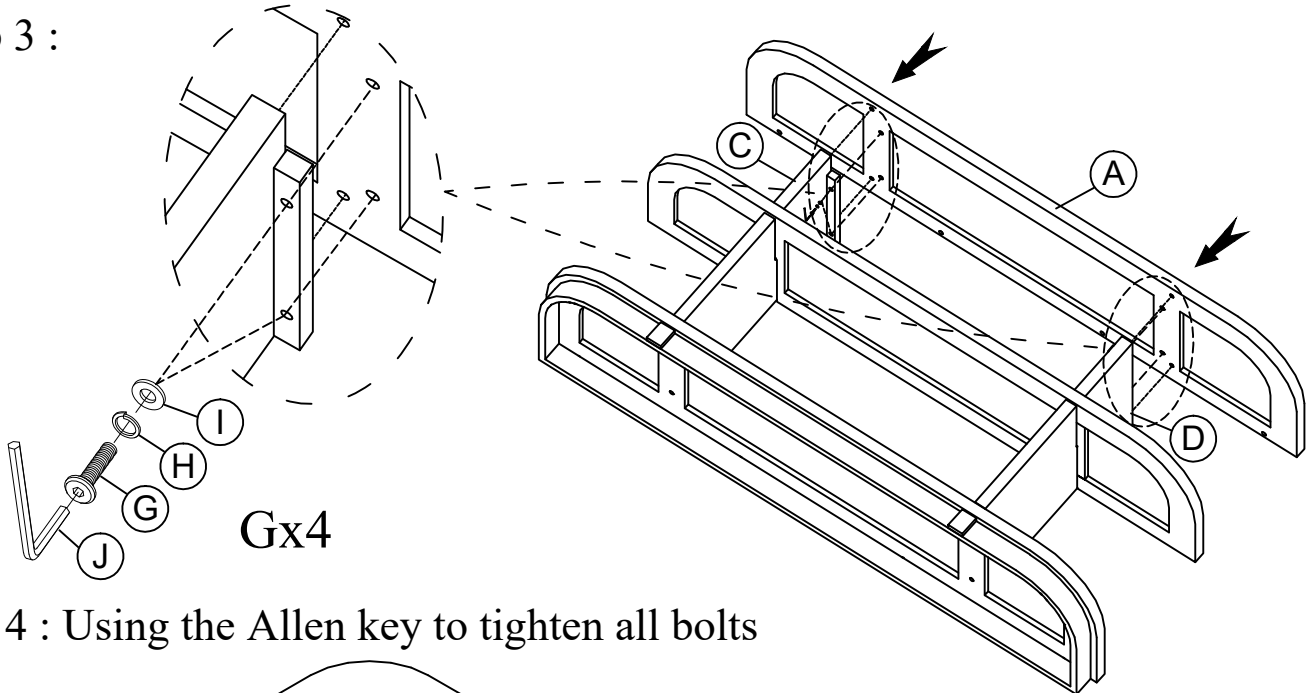
<p>Table Top</p> <p>(A) 1 pc.</p>	<p>Middle Shelf</p> <p>(B) 1 pc.</p>	<p>Partition Left</p> <p>(C) 1 pc.</p>	<p>Partition Right</p> <p>(D) 1 pc.</p>	<p>Bottom Shelf</p> <p>(E) 1 pc.</p>	<p>Back panel</p> <p>(F) 1 pc.</p>	<p>Allen Head Bolt Ø5/16"-18 x 1-1/2"</p> <p>(G) 24 pcs.</p>	
<p>Step 1 : Do not fully tighten the bolts</p>				<p>Spring Washer Ø5/16"</p> <p>(H) 24 pcs.</p>	<p>Flat Washer Ø5/16"x 3/4"</p> <p>(I) 24 pcs.</p>	<p>Allen Key 4 mm</p> <p>(J) 1 pc.</p>	<p>Tipping Restraint Kit</p> <p>(K) 2 pcs.</p>



Step 2 :

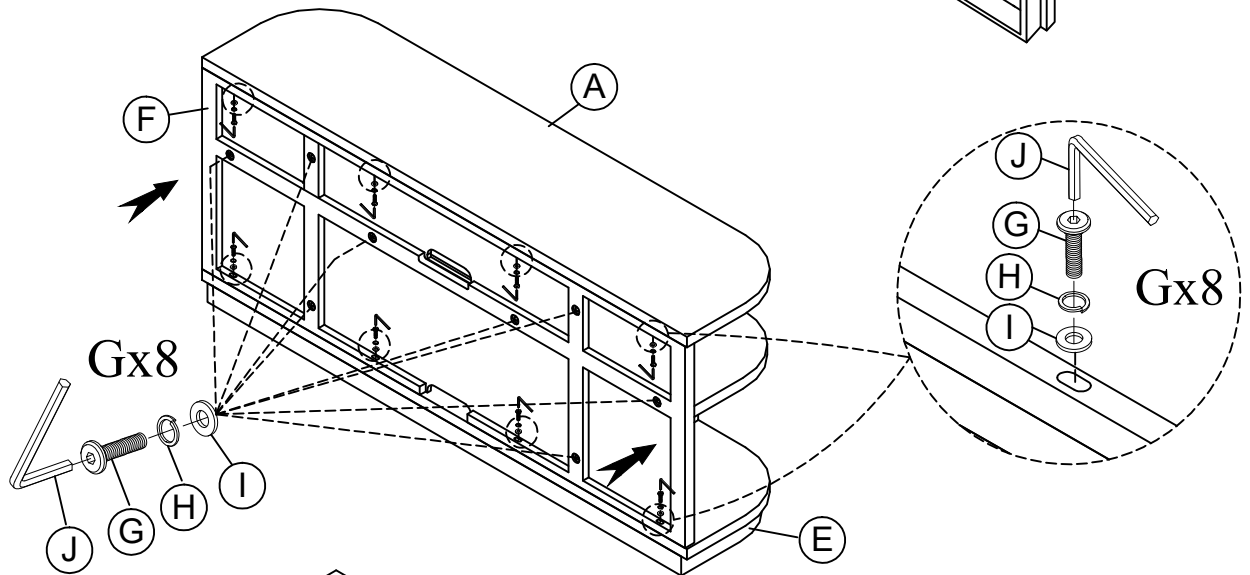


Step 3 :



Gx4

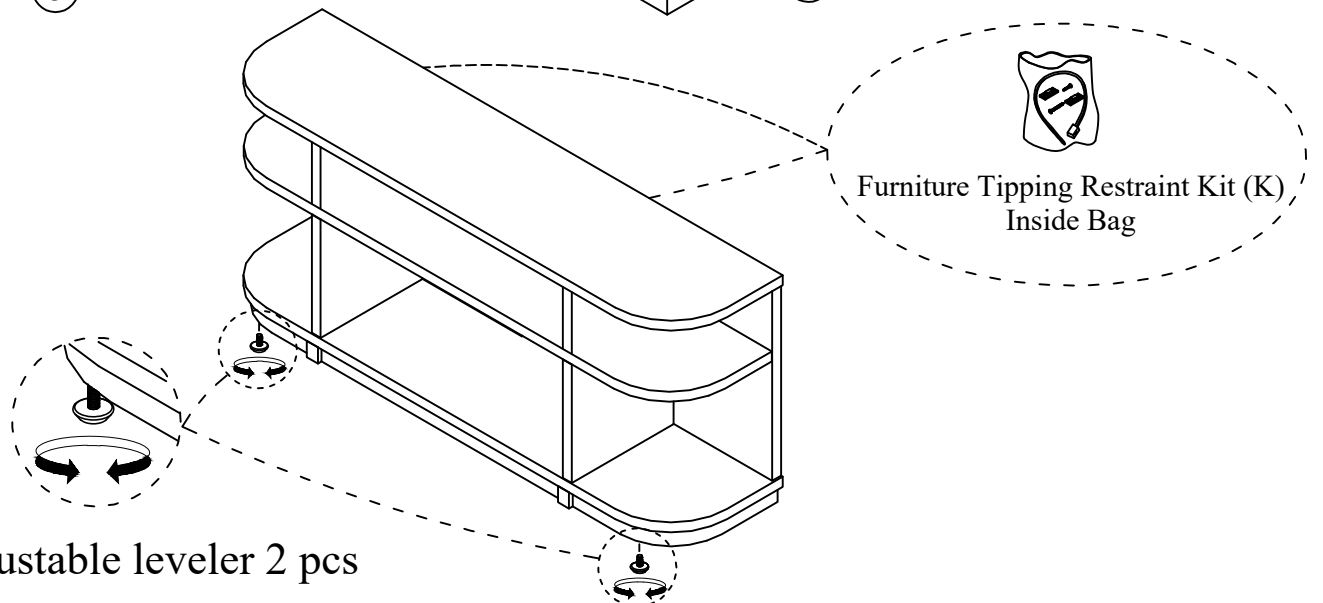
Step 4 : Using the Allen key to tighten all bolts



Gx8

Gx8

Step 5 :



Furniture Tipping Restraint Kit (K)
Inside Bag

Adjustable leveler 2 pcs

For product and personal safety, two Furniture Tipping Restraint kits have been included with this unit which can help to minimize the risk of the unit accidentally tipping forward, if used and properly installed per the manufacturer's instructions.