



# 24-INCH WINE DISPENSER

DWS4000BB



## PRODUCT FEATURES

- Four bottle dispensing system
- 60 days preservation with argon gas
- Dual zone active cooling system
- 2 7/8" digital display with glass touch control
- Custom dispensing volume
- Dual pane glass with UV coating
- Spring piston bottle system
- Flush installation
- Reversible door
- Silver stainless or graphite finish

## WEIGHTS & DIMENSIONS

PRODUCT DIMENSIONS (W X H X D IN INCHES)	23 5/8" X 24" X 15 3/8"
STANDARD CUT-OUT REQUIRED (W X H X D IN INCHES)	22 1/16" X 24" X 18 3/8"
FLUSH CUT-OUT REQUIRED (W X H X D IN INCHES)	23 3/4" X 24 1/4" X 18 3/8"
NET WEIGHT (LBS.)	85 LBS

## TECHNICAL DETAILS

ELECTRICAL REQUIREMENTS	120V, 60 HZ, 15A
-------------------------	------------------

## GENERAL PROPERTIES

CONTROL	2 7/8" DIGITAL LCD COLOR DISPLAY
GLASS TOUCH CONTROLS	YES
GLASS DOOR	UV TINTED DOUBLE PANE
SABBATH MODE	YES
SLEEP MODE	YES
BOTTLE CAPACITY	4 (375 / 500 / 750 ML CAPABLE)
DISPENSING VOLUME RANGE	0.35 OZ - 13.25 OZ
WINE PRESERVATION METHOD	ARGON GAS
BOTTLE INDICATOR	YES
EMPTY BOTTLE SENSOR	YES
SELF-CLEANING SPOUTS	YES
AUTOMATIC ELECTRONIC DOOR LOCK	YES
CHILD LOCK	YES (PIN CODE)
DOOR ALARM	VISUAL ICON ONLY

## REFRIGERATION PROPERTIES

TEMPERATURE ZONES	2
LEFT TEMPERATURE	44°F (7°C) TO 72°F (22°C)
RIGHT TEMPERATURE	59°F (15°C) TO 72°F (22°C)
AUTO ZONE SWITCHING	YES W/DIVIDER
REFRIGERANT	R600a
STEELCOOL INTERIOR	YES

## DESIGN

FINISH	SILVER STAINLESS GRAPHITE STAINLESS (KIT INCLUDED)
HANDLE	POCKET
INSTALLATION TYPE	BUILT-IN (FLUSH & STANDARD)

## WARRANTY

LIMITED, PARTS AND LABOR	2 YEARS
--------------------------	---------

## OPTIONAL ACCESSORIES

AWS4000GP	2 X ARGON GAS CANISTER, 8 X PICKUP TUBE
-----------	--

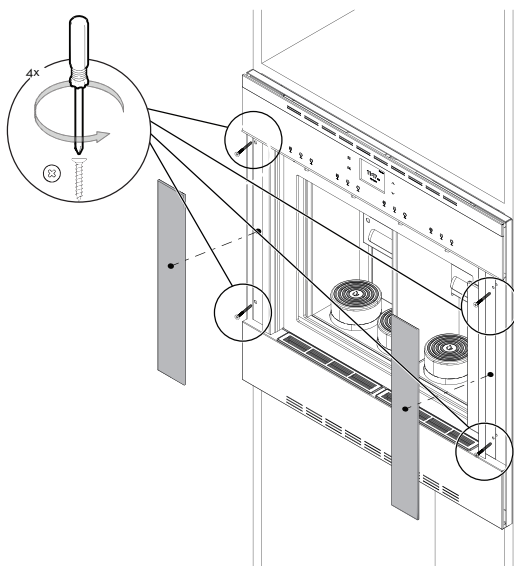
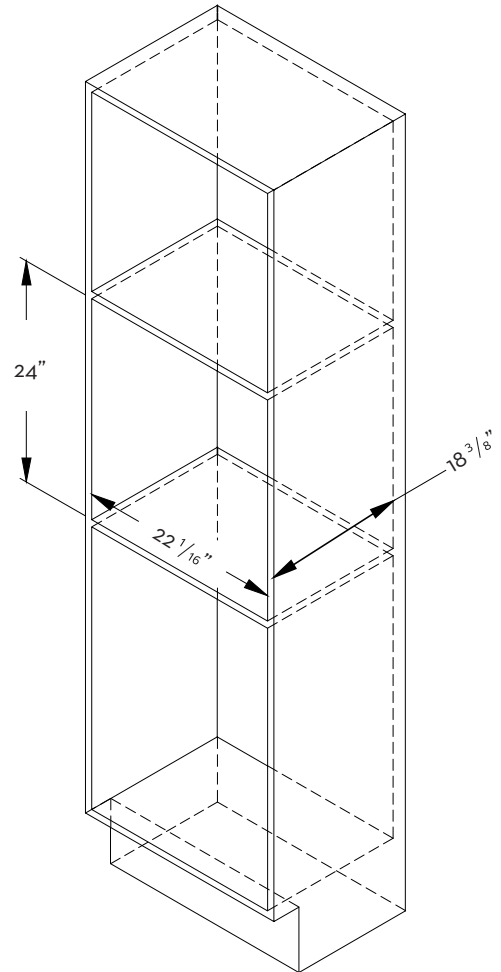
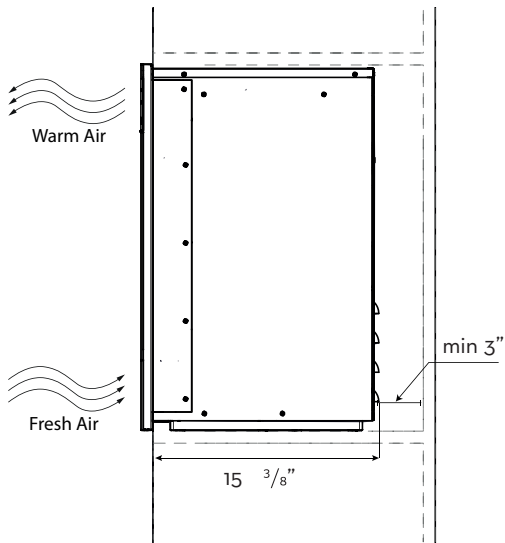
## 24-INCH WINE DISPENSER

DWS4000BB

### STANDARD INSTALLATION

IMPORTANT: LEAVE AT LEAST 3" FOR CABLING AND TUBING  
ALLOW FOR PROPER AIR CIRCULATION


ALL CABINET TOLERANCES: +1/16" (+1.6 MM/-0 MM)  
UNLESS OTHERWISE STATED.



A. Insert 4 #3.5mm x 30mm screws  
in the predrilled holes

B. Attach the glass covers

Tools required

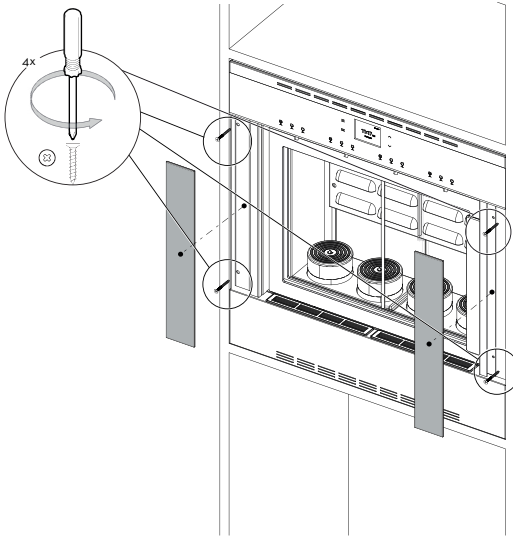
Tools	
	Philips Screwdriver - #3

## 24-INCH WINE DISPENSER

DWS4000BB


### FLUSH INSTALLATION

ALL CABINET TOLERANCES:  $+1/16"$  ( $+1.6$  MM/ $-0$  MM)  
UNLESS OTHERWISE STATED.



- A. Insert 4 #3.5mm x 30mm screws in the predrilled holes
- B. Attach the glass covers

#### Tools required

Tools	
	Philips Screwdriver - #3

