



Scan to see the online manual.



OWNER'S MANUAL

WASHING MACHINE

Read this owner's manual thoroughly before operating the appliance and keep it handy for reference at all times. This abridged owner's manual addresses user safety, precautions, and installation information.

To view the complete owner's manual, you may:

1. Online manual: Visit the LG website at: <http://gscs-manual.lge.com/Total/HQ/GatewayPage/main.html> or scan the QR code above; or
2. Printable PDF manual: Visit lg.com and search for your model number; or
3. Call or write to customer service as provided in your Limited Warranty.

ENGLISH

WT6105C*



MFL71839414
Rev.01_120222

www.lg.com

Copyright © 2022 LG Electronics Inc. All Rights Reserved.

2

TABLE OF CONTENTS

3 IMPORTANT SAFETY INSTRUCTIONS

- 3 READ ALL INSTRUCTIONS BEFORE USE
- 3 WARNING STATEMENTS
- 6 CAUTION STATEMENTS

7 PRODUCT OVERVIEW

- 7 Product Features

9 INSTALLATION

- 9 Before Installing
- 10 Choosing the Proper Location
- 11 Unpacking and Removing Shipping Material
- 11 Connecting the Water Inlet Hoses
- 12 Connecting the Drain Hose
- 13 Leveling the Washer
- 14 Final Installation Check

16 OPERATION

- 16 Before Use
- 16 Sorting Laundry
- 17 Loading the Washer

20 SMART FUNCTIONS

- 20 LG ThinQ Application
- 20 Smart Diagnosis™ Function

21 MAINTENANCE

- 21 Regular Cleaning
- 21 Periodic Maintenance
- 24 Care in Cold Climates

26 TROUBLESHOOTING

- 26 Before Calling for Service

33 LIMITED WARRANTY

- 33 USA

IMPORTANT SAFETY INSTRUCTIONS

READ ALL INSTRUCTIONS BEFORE USE

Safety Messages

Your safety and the safety of others are very important.

We have provided many important safety messages in this manual and on your appliance. Always read and follow all safety messages.



This is the safety alert symbol.

This symbol alerts you to potential hazards that can kill or injure you and others. All safety messages will follow the safety alert symbol and either the word **WARNING** or **CAUTION**.

These words mean:



WARNING

You may be killed or seriously injured if you do not follow instructions.



CAUTION

You may be injured or cause damage to the product if you do not follow instructions.

All safety messages will tell you what the potential hazard is, tell you how to reduce the chance of injury, and tell you what may happen if the instructions are not followed.

WARNING STATEMENTS

WARNING

- To reduce the risk of explosion, fire, death, electric shock, scalding or injury to persons when using this product, follow basic precautions, including the following:

Installation

- Adhere to all industry recommended safety procedures including the use of long-sleeved gloves and safety glasses.
- Never attempt to operate this appliance if it is damaged, malfunctioning, partially disassembled, or has missing or broken parts, including a damaged cord or plug.
- Before use, the appliance must be properly installed as described in this manual.
- To reduce the risk of severe injury or death, follow all installation instructions.
- Refer to the **INSTALLATION INSTRUCTIONS** for detailed grounding procedures. Installation instructions are packed with the appliance for the installer's reference. If the appliance is moved to a new location, have it checked and reinstalled by qualified service personnel.
- Moving or installation of the appliance requires two or more people.
- Do not install the appliance in humid spaces.
- Store and install the appliance where it will not be exposed to temperatures below freezing or exposed to outdoor weather conditions.
- This appliance is not designed for maritime use or for mobile installations such as in RVs, trailers, or aircraft.
- Strongly recommend not using a drain pan when installing this appliance, as standing water in the drain pan may increase the risk of electric shock, injury, or death.

4 IMPORTANT SAFETY INSTRUCTIONS

- Keep packing materials out of the reach of children. Packaging material can be dangerous for children. There is a risk of suffocation.
- Destroy the carton, plastic bag, and other packing materials after the appliance is unpacked. Children might use them for play. Cartons covered with rugs, bedspreads, or plastic sheets can become airtight chambers.
- The appliance must be installed and electrically grounded by qualified service personnel in accordance with local codes.
- When installing or moving the appliance, be careful not to pinch, crush, or damage the power cord.
- Connect to a properly rated, protected, and sized power circuit to avoid electrical overload.
- This appliance must be positioned near to an electrical power supply.
- Disconnect the power cord, house fuse or circuit breaker before installing or servicing the appliance.
- The power cord of this appliance is equipped with a 3-prong (grounding) plug which mates with a standard 3-prong (grounding) wall outlet to minimize the possibility of electric shock from this appliance.
- Do not, under any circumstances, cut or remove the third (ground) prong from the power cord.
- Use new hoses when connecting the appliance to the water supply. Do not reuse old hoses.

Operation

- Read all instructions before using the appliance and save these instructions.
- Use this appliance only for its intended purpose.
- Clothing or articles that are waterproof or water resistant must be washed in the Waterproof cycle only. (Examples include water resistant clothing, mattress covers, outdoor clothes, plastic mats.) **WARNING:** Failure to closely follow these instructions may result in an abnormal vibration and out-of-balance condition that could result in injury, property damage, and/or appliance damage.
- If the product has been submerged in water, sitting in standing water, or waterlogged, do not come in contact with the product and immediately contact an LG Electronics customer information center for instructions before resuming use.
- If you detect a strange sound, a chemical or burning smell, or smoke coming from the appliance, unplug it immediately, and contact an LG Electronics Customer Information Center.
- Under certain conditions, hydrogen gas may be produced in a hot-water system that has not been used for two weeks or more. **HYDROGEN GAS IS EXPLOSIVE.** If the hot-water system has not been used for such a period, before using the appliance, turn on all hot water faucets and let the water flow from each for several minutes. This will release any accumulated hydrogen gas. As the gas is flammable, do not smoke or use an open flame during this time.
- Do not reach into the washer if the tub or drum, agitator, or any interior parts are moving. Before loading, unloading, or adding items, press **Start/Pause** and allow the tub or drum to coast to a complete stop before reaching inside.
- This appliance is not intended for use by persons (including children) with reduced physical, sensory or mental capabilities, or lack of experience and knowledge, unless they have been given supervision or instruction concerning the use of the appliance by a person responsible for their safety.
- Do not allow children or pets to play on, in or with the appliance. Close supervision is necessary when the appliance is used near children or pets.
- Keep laundry products out of children's reach. To prevent injury to persons, observe all warnings on product labels.
- Repair or immediately replace all power cords that have become frayed or otherwise damaged. Do not use a cord that shows cracks or abrasion damage along its length or at either end.
- Never unplug the appliance by pulling on the power cord. Always grip the plug firmly and pull straight out from the outlet.
- Do not use an extension cord or adapter with this appliance.
- Do not grasp the power cord or touch the appliance controls with wet hands.

- Do not modify or extend the power cord.
- If the electrical supply cord is damaged, it must only be replaced by the manufacturer or its service agent or a similar qualified person in order to avoid a hazard.
- Do not put oily or greasy clothing, candles or flammable materials on top of the appliance.
- Keep the area underneath and around your appliances free of combustible materials (lint, paper, rags, etc.), gasoline, chemicals and other flammable vapors and liquids.
- Do not store or use gasoline or other flammable vapors and liquids in the vicinity of this or any other appliance.
- Do not mix chlorine bleach with ammonia or acids such as vinegar. Follow package directions when using laundry products. Incorrect usage can produce poisonous gas, resulting in serious injury or death.
- Never use harsh chemicals, abrasive cleaners, or solvents to clean the washer. They will damage the finish.
- Do not wash laundry that has been previously cleaned in, washed in, soaked in, or spotted with gasoline, dry-cleaning solvents, vegetable or cooking oil, or other flammable or explosive substances, as they give off vapors that could ignite or explode.
- Do not add gasoline, dry cleaning solvents, or other flammable or explosive substances to the wash water. These substances give off vapors that could ignite or explode.
- In the event of a gas leak (propane gas, LP gas, etc.), do not operate this or any other appliance. Open a window or door to ventilate the area immediately.
- Do not tamper with controls.
- Fix the drain hose securely in place to avoid flooding.
- Do not abuse, sit on, or stand on the lid of the appliance.
- Keep hands and foreign objects clear of the lid and latch area when closing the lid.
- Always check the inside of the appliance for foreign objects.

Maintenance

- Do not repair or replace any part of the appliance. All repairs and servicing must be performed by qualified service personnel unless specifically recommended in this owner's manual. Use only authorized factory parts.
- Disconnect this appliance from the power supply before cleaning and attempting any user maintenance. Turning the controls to the OFF position does not disconnect this appliance from the power supply.
- Remove any dust or foreign matter from the power plug pins.
- Do not disassemble or repair the appliance by yourself.
- Remove the lid before the appliance is removed from service or discarded to avoid the danger of children or small animals getting trapped inside.
- Make sure the dispenser drawer or lid is closed at all times when not being filled with laundry products.

Grounding Instructions

- Improper connection of the equipment-grounding conductor can result in a risk of electric shock. Check with a qualified electrician or service personnel if you are in doubt whether the appliance is properly grounded. Do not modify the plug provided with the appliance; if it will not fit the outlet, have a proper outlet installed by a qualified electrician.
- The appliance must be grounded. In the event of a malfunction or breakdown, grounding will reduce the risk of electric shock by providing a path of least resistance for electric current. The appliance is equipped with a cord having an equipment-grounding conductor and a grounding plug. The plug must be plugged into an appropriate outlet that is installed and grounded in accordance with all local codes and ordinances.

6 IMPORTANT SAFETY INSTRUCTIONS

CAUTION STATEMENTS

CAUTION

- To reduce the risk of minor or moderate injury to persons, malfunction, or damage to the product or property when using this product, follow basic precautions, including the following:
-

Installation

- Install the product on a firm and level floor.

Operation

- Do not place objects on top of the appliance.
- Turn off the water faucets and unplug the appliance if the appliance is to be left for an extended period of time, such as during vacations.
- ALWAYS follow the fabric care instructions supplied by the garment manufacturer.
- Use fabric softeners or products to eliminate static only as recommended by the manufacturer.
- Do not combine laundry products for use in one load unless specified on the label.
- Do not touch draining water which may be hot.
- If the drain hose and the water inlet hose are frozen in winter, defrost them before using the appliance.
- Do not store or spill liquid detergents, cleaners, or bleaches (chlorine bleach, oxygen bleach) on the appliance. Doing so may result in corrosion, discoloration or damage to the surface of the appliance.

SAVE THESE INSTRUCTIONS

PRODUCT OVERVIEW

Product Features

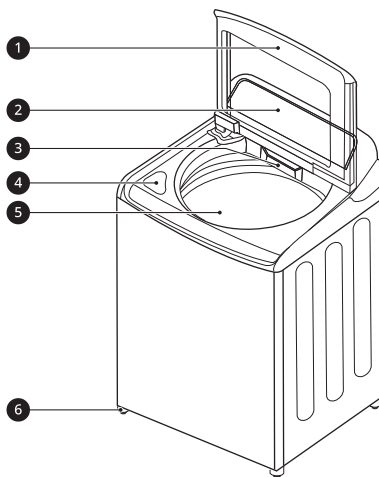
The images in this guide may be different from the actual components and accessories, which are subject to change by the manufacturer without prior notice for product improvement purposes.

NOTE

- For your safety and for extended product life, use only authorized components. The manufacturer is not responsible for product malfunction, property damage or bodily injury caused by the use of separately purchased unauthorized components, parts, or non-LG products.

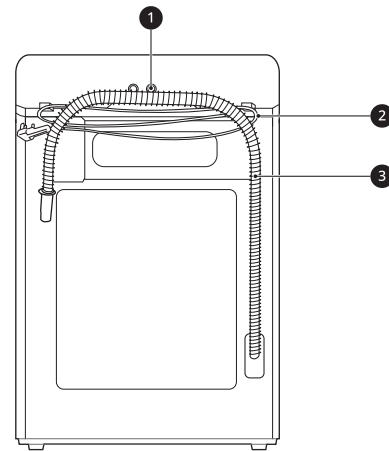
ENGLISH

Front View



- ❶ Lid
- ❷ Control Panel
- ❸ Detergent Dispenser Drawer
- ❹ Liquid Bleach Compartment
- ❺ Tub
- ❻ Leveling Feet

Rear View



- ❶ Water Inlets
- ❷ Power Cord
- ❸ Drain Hose

8 PRODUCT OVERVIEW

Accessories

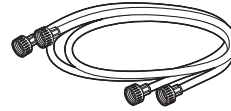
Required Accessories (sold separately)

Included Accessories



1

1 Tie Strap



1

1 Hot and Cold Water Hoses

Product Specifications

The appearance and specifications listed in this manual may vary due to constant product improvements.

| Model | WT6105C* |
|--|--|
| Electrical Requirements | 120 VAC @ 60 Hz |
| Min. / Max. Water Pressure | 20 - 120 psi (138 - 827 kPa) |
| Dimensions (Width X Depth X Height) | 27" X 28 3/8" X 44 1/2" (68.6 cm X 72.1 cm X 113 cm) |
| Maximum Height with Lid Open | 57 1/4" (145.3 cm) |
| Net Weight | 116.9 lb (53 kg) |
| Max. Spin Speed | 800 RPM (± 50) |

INSTALLATION

Before Installing

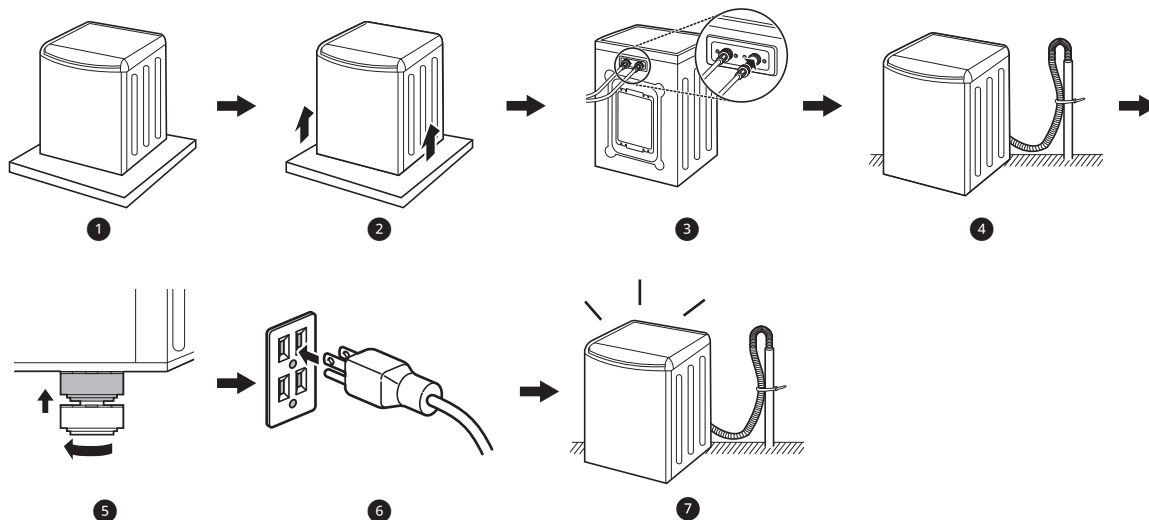
⚠ WARNING

- Moving or installation of the appliance requires two or more people. Failure to follow these instructions may result in injury.
- Store and install the appliance where it will not be exposed to temperatures below freezing or exposed to outdoor weather conditions. Failure to follow this warning can cause product or part failure, serious injury, fire, electric shock, or death.
- Properly ground the washer to conform with all governing codes and ordinances. Failure to follow this warning can cause serious injury, fire, electric shock, or death.
- To reduce the risk of electric shock, do not install the appliance in humid spaces. Failure to follow this warning can cause serious injury, fire, electric shock, or death.
- To ensure proper airflow, do not block the large opening on the bottom of the washer with carpeting or other materials.
- Do not remove the ground prong from the power cord. Do not use an adapter or extension cord. Plug into a grounded 3-prong outlet. Failure to follow this warning can cause serious injury, fire, electric shock, or death.
- Certain internal parts are intentionally not grounded and may present a risk of electric shock only during servicing. Service personnel - Do not contact the following parts while the appliance is energized: pump, motor, noise filter cover, protective cover and heater (on applicable models).

ENGLISH

Installation Overview

Please read the following installation instructions first after purchasing this washer or transporting it to another location.

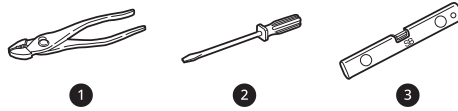


- 1 Choosing the Proper Location
- 2 Unpacking and Removing Shipping Material
- 3 Connecting the Water Inlet Hoses
- 4 Connecting the Drain Hose
- 5 Leveling the Washer

10 INSTALLATION

- ⑥ Connecting to the Power Supply
- ⑦ Final Installation Check

Tools Needed



- ① Pliers
- ② Flat-Blade Screwdriver
- ③ Level

Choosing the Proper Location

Check the following requirements for the install location before installing the washer.

- Allow for sufficient space between the walls and the washer for installation.
- Make sure that the floor is clean, dry and free of dust, dirt, water and oil so the leveling feet cannot slide easily. Leveling feet that can move or slide on the floor can contribute to excess vibration and noise.
- If the floor has too much flex, reinforce it to make it more rigid. If the floor is not solid, it may cause severe vibration and noise.

Power Outlet

The power outlet must be within **60 inches (1.5 m)** of either side of the washer.

- Position the washer so that the outlet and plug are easily accessible.
- Do not overload the outlet with more than one appliance.
- The outlet must be grounded in accordance with current electrical wiring codes and regulations.
- Use a time-delay fuse or circuit breaker.
- It is the personal responsibility and obligation of the washer owner to have a proper outlet installed by a qualified electrician.

Flooring

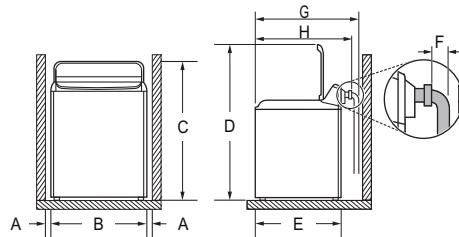
- To minimize noise and vibration, install the washer on a level, solidly constructed floor capable of supporting the washer without flexing or bouncing.

- The washer must be installed on firm flooring to minimize vibration during the spin cycle. Concrete flooring is best, but a wood floor is sufficient, provided it is built to FHA standards.
- The floor under the washer must not slope more than **1 inch (2.5 cm)** from front to back or side to side.
- Installing on carpeting and soft tile surfaces is not recommended.
- Never install the washer on a platform or weakly supported structure.

Floor Installation

To ensure sufficient clearance for water inlet hoses, drain hose and airflow, allow minimum clearances of at least **1 inch (2.5 cm)** at the sides and **4 inches (10 cm)** behind the washer. Be sure to allow for wall, door, or floor moldings that may increase the required clearances.

Minimum vertical space from floor to overhead shelves, cabinets, ceilings, etc., is **58 inches (147 cm)**.



| Dimensions and Clearances | |
|---------------------------|------------------|
| A | 1" (2.5 cm) |
| B | 27" (68.6 cm) |
| C | 44 1/2" (113 cm) |

| Dimensions and Clearances | |
|---------------------------|--------------------|
| D | 57 1/4" (145.3 cm) |
| E | 26 3/4" (68 cm) |
| F | 3 1/2" (9 cm) |
| G | 32" (81.1 cm) |
| H | 28 3/8" (72.1 cm) |

Unpacking and Removing Shipping Material

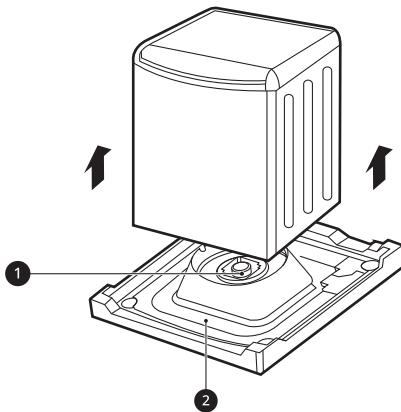
Remove all shipping materials from the washer for proper operation and inspect it for shipping damage.

CAUTION

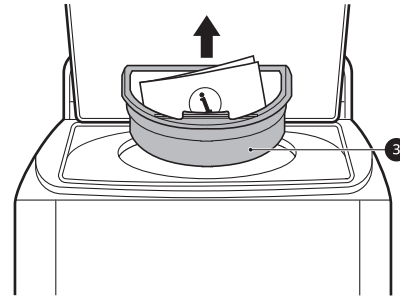
- Failure to remove shipping materials can cause excessive noise and vibration.

Unpacking Shipping Material

- Lift the washer off of the foam base.
 - After removing the carton and shipping material, lift the washer off the foam base.
 - Make sure the plastic tub support ① comes off with the base and is not stuck to the bottom of the washer.
 - If you must lay the washer down to remove the carton base ②, always protect the side of the washer and lay it carefully on its side. Do not lay the washer on its front or back.



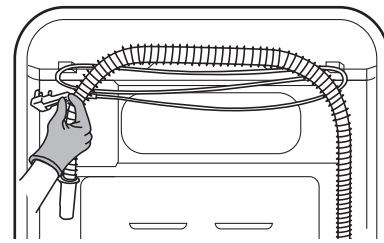
- Remove the foam tub insert.
 - To prevent damage, do not remove the foam insert ③ from the tub until the washer is in the final location.



NOTE

- Once removed, save the foam insert for future use. If the washer needs to be moved, the foam insert will help prevent damage during transportation.

- Unfasten the power cord.
 - Unfasten the power cord from the back of the washer.



Connecting the Water Inlet Hoses

To avoid the risk of costly water damage, purchase and install new inlet hoses when installing the washer.

WARNING

- Do not overtighten the hoses or cross-thread the hose fittings. Overtightening or cross-threading can damage the valves or couplings, resulting in leaking and property damage.
- Do not reuse old hoses. Use only new hoses when installing the washer. Old hoses could leak or burst causing flooding and property damage. Contact an LG Customer Information Center for assistance in buying hoses.

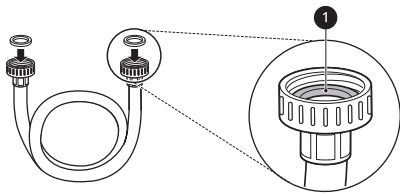
12 INSTALLATION

NOTE

- Periodically check the hoses for cracks, leaks, and wear, and replace the hoses every five years.
- Do not stretch the water hoses intentionally, and make sure that they are not pinched, crushed or kinked by other objects.
- Water supply pressure must be between **20 psi** and **120 psi (138 - 827 kPa)**. If the water supply pressure is more than **120 psi**, a pressure reducing valve must be installed.
- Your hot water heater should be set to deliver water at **120 - 135°F (48 - 57°C)** to allow the washer to properly control wash temperatures.
- Do not store or install the washer in a location subject to freezing temperatures. Damage to the water inlet hoses and internal mechanisms of the washer can result. If the washer was exposed to freezing temperatures prior to installation, allow it to stand at room temperature for several hours before use and check for leaks prior to operation.
- Do not use flood-preventing hoses with auto shutoff devices. The devices can be tripped during fill and prevent the washer from filling properly.

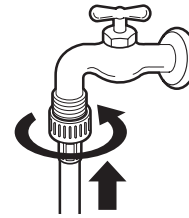
How to Connect the Water Inlet Hoses

- 1 Check the fittings and seals.
 - Inspect the threaded fitting on each hose and make sure there is a rubber seal **1** in place in both ends of each hose to prevent leaking.

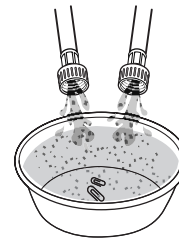


- 2 Connect the water supply hoses.
 - Connect the water inlet hoses to the hot and cold water faucets tightly by hand and then tighten another 2/3 turn with pliers.

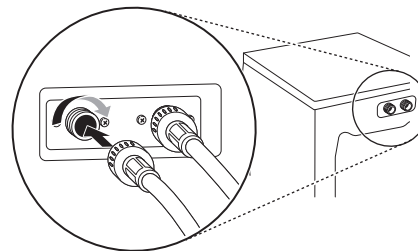
- Connect the blue hose to the cold water faucet and the red hose to the hot water faucet.



- 3 After the hoses are connected, turn on the water faucets and flush out any foreign substances such as dirt, sand, or sawdust.
 - Let the water drain into a bucket, and check the water temperature to make sure you've connected the hoses to the correct faucets.



- 4 Attach the inlet hoses to the back of the washer.
 - Attach the hot water inlet hose to the hot water inlet on the back of the washer. Attach the cold water inlet hose to the cold water inlet on the back of the washer.
 - Tighten the fittings securely. Turn on both faucets all the way and check for leaks at both ends of the hoses.



Connecting the Drain Hose

Connect the drain hose to either a standpipe or laundry tub.

⚠ WARNING

- The drain hose should always be properly secured. Failure to properly secure the drain

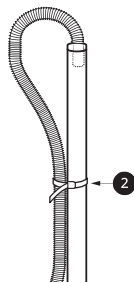
hose can result in flooding and property damage.

NOTE

- The drain must be installed in accordance with any applicable local codes and regulations.
- Make sure that the drain hose is not stretched, pinched, crushed, or kinked.
- The end of the drain hose should be located a minimum of **29.5 inches (75 cm)** and a maximum of **96 inches (244 cm)** above the bottom of the washer.
- For best results, locate the end of the drain hose no higher than **66 inches (168 cm)** above the bottom of the washer. As the drain outlet is raised beyond **66 inches (168 cm)**, the drain function will be increasingly affected.
- Never create an airtight seal between the hose and the drain with tape or other means. If no air gap is present, water can be siphoned out of the tub resulting in poor wash/rinse performance or clothing damage.

Using a Standpipe to Drain

- 1 Insert the end of the drain hose into the standpipe.
- 2 Use the provided tie strap ❶ to secure the drain hose in place.



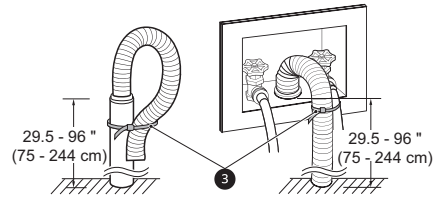
- 3 If the water valves and drain are built into the wall, fasten the drain hose to one of the water hoses with the provided tie strap ❷ (ribbed side on inside).

CAUTION

- Do not insert the end of the drain hose into the standpipe more than **8 inches (20 cm)**. Doing so can cause siphoning, odors, or improper draining.

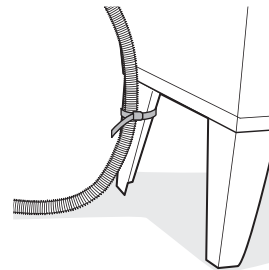
NOTE

- If the drain is large enough for the flange on the hose to fit inside, then do not insert the flange more than 1 - 2 inches into the drain.



Using a Laundry Tub to Drain

- 1 Hang the end of the drain hose over the side of the laundry tub.
- 2 Use the provided tie strap to secure the drain hose in place.



Leveling the Washer

The tub of the washer spins at very high speeds. To minimize vibration, noise, and unwanted movement, the floor must be a solid, level surface.

CAUTION

- Using the washer without leveling it may cause excess vibration and noise, leading to a washer malfunction.
- Adjust the leveling feet only as far as necessary to level the washer. Extending the leveling feet more than necessary can cause the washer to vibrate.

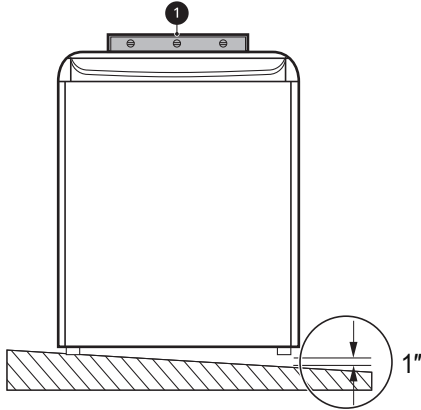
NOTE

- Before installing the washer, make sure that the floor is clean, dry and free of dust, dirt, water and oil so the washer feet cannot slide easily. Feet that move or slide on the floor can contribute to excessive vibration and noise.

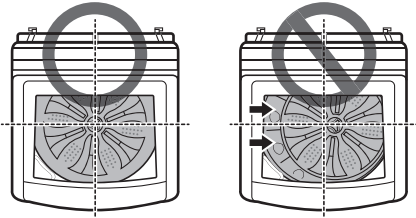
14 INSTALLATION

How to Level the Washer

- 1 Position the washer in its final location.
 - Take special care not to pinch, strain, or crush the water and drain hoses. If you have a carpenter's level **1**, you can use it to check that the washer is level. The slope beneath the washer should not exceed **1 inch**, and all 4 leveling feet must rest firmly on the floor.



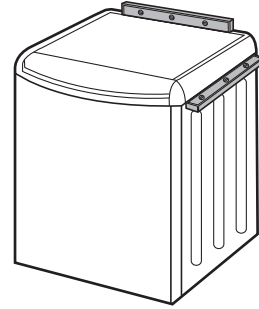
- 2 Open the lid and look from above to see if the tub is centered.
 - If the tub is not centered, readjust the front feet. If you have a level, check the washer with the level.



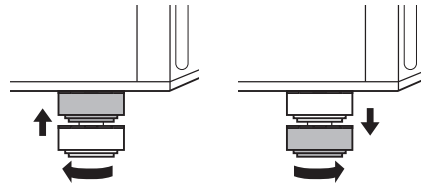
NOTE

- To check if the washer is level from side to side, place a level on the back edge of the lid.
- To check if the washer is level from front to back, place a level on the edge where the cabinet side meets the top cover. Do not place the level on

the top of the lid. Using these surfaces will result in the washer being unlevel.



- 3 Adjust the leveling feet.
 - Turn all 4 leveling feet in one direction to raise the washer or the other direction to lower it.



- 4 Recheck the washer's levelness.
 - Push or rock the top edges of the washer gently to make sure the washer does not rock. If the washer rocks, readjust the leveling feet.
 - If the lid does not stay open properly, extend the front leveling legs until the washer is level from front to back.

Final Installation Check

Connecting to the Power Supply

Plug the washer into a 120 VAC, 60 Hz grounded 3-prong outlet.

⚠ WARNING

- Do not use a worn or damaged power cord or power plug. Replace or repair it immediately. Failure to do so may result in death, fire, electric shock, or malfunction.
- Do not modify the power cord and plug provided with the appliance. Do not damage it when installing or moving the appliance. Doing so may result in death, fire, electric shock, or malfunction.
- Make sure that the appliance is grounded.

- Connect this appliance to a grounded outlet conforming to the rating prior to use. Failure to do so may result in fire, electric shock, or malfunction.
- Do not damage or cut off the ground prong of the power cord. Doing so may cause death, fire, electric shock, or product malfunction.
- Improper connection of the equipment-grounding conductor can result in risk of electric shock. Check with a qualified electrician or service technician if you are in doubt as to whether the appliance is properly grounded. If it does not fit the outlet, have a proper outlet installed by a qualified electrician.
- The appliance and outlet must be positioned so that the plug is easily accessible.
- Do not use adapter or extension cords. Doing so may result in serious injury, fire, electric shock, or death.
- For best performance, plug the appliance into its own individual outlet. This helps prevent overloading house wiring circuits which could cause a fire hazard from overheated wires.
- If necessary, use a new, UL-listed 3-prong (grounding) plug rated at no less than the branch circuit. Do not use an extension cord longer than 3 feet. Failure to follow these warnings may result in serious injury, fire, electric shock, or death.

Testing the Washer

Check if the washer is properly installed and run a test cycle.

- 1** Make sure that the tub is empty. Do not load anything in the tub for this test. Make sure that the water faucets for the washer are fully turned on.
- 2** Press the **Power** button.
- 3** Press and hold the **Temp.** and **Water/Rinse** buttons at the same time until the LEDs for the cycle status (**Wash/Rinse/Spin**) all light up.
- 4** Press the **Start/Pause** button.
 - The test will run for about 3 minutes.
 - The test automatically checks the water inlet hoses and the drain hose.

- 5** Check the **Wash, Rinse** and **Spin** LEDs for results.
 - LEDs are all off: Initial test results are normal.
 - LEDs are all on: Previous test results were normal.
 - LEDs are flashing: Previous test resulted in an error.
- 6** At the end of the test cycle, The washer will shut off automatically after a short delay.

Installation Check Error

Refer to the chart below before calling for service.

| Error Code | Solution |
|------------------|---|
| Warm LED Flashes | <ul style="list-style-type: none"> • Fully open the water faucet. • Straighten out any kinks in the inlet hoses and make sure the hoses are not pinched against the wall or under the washer. |
| Cold LED Flashes | <ul style="list-style-type: none"> • Straighten out any kinks in the drain hose and make sure the hose is not pinched against the wall or under the washer. • Remove and flush out the drain hose to remove clogs. • Adjust or repair the drain. Maximum drain height is 96 inches. Recommended drain height is between 29.5 inches and 66 inches. |

16 OPERATION

OPERATION

Before Use

WARNING

- To reduce the risk of fire, electric shock, or injury to persons, read the **SAFETY INSTRUCTIONS** before operating this appliance.

Operation Overview

- 1 Sort laundry and load the washer.
 - Sort laundry by fabric type, soil level, color and load size, as needed. Open the lid and load items into the washer.
 - If using single-use detergent packs, or gel or tablet detergents, place them in the tub before loading the laundry.
- 2 Add cleaning products.
 - Add the proper amount of HE (High-Efficiency) detergent to the detergent dispenser.
 - If desired, add bleach or fabric softener to the appropriate dispensers.
 - Do not place liquid or powdered detergent packs, or gel or tablet detergents in the dispenser.
- 3 Turn on the washer.
 - Press the **Power** button to turn on the washer.
 - The lights above the cycle buttons will illuminate and a chime will sound.
- 4 Select a cycle.
 - Turn the cycle selector knob or press the cycle buttons repeatedly until the desired cycle is selected.
 - The preset wash temperature and option settings for the selected cycle are shown.
 - The **Normal** cycle must be selected in order to change its default settings.
 - Pressing the **Start/Pause** button without selecting a cycle immediately starts the **Normal** cycle with the default settings.

- 5 Adjust settings.
 - Default settings for the selected cycle can be changed, if desired, using the cycle modifier and option buttons.
 - Not all modifiers and options are available on all cycles. A different chime sounds and the LED does not light up if the selection is not allowed.

- 6 Begin cycle.
 - Press the **Start/Pause** button to begin the cycle. The lid locks, and the washer agitates briefly without water to measure the weight of the load.
 - If the **Start/Pause** button is not pressed within a certain time, the washer shuts off and all settings are lost.

NOTE

- You must press and hold the **Power** button when turning off the appliance. This helps prevent accidentally turning it off during a cycle.

- 7 End of cycle.
 - When the cycle is finished, a melody sounds. Immediately remove the clothing from the washer to reduce wrinkling.
 - If the washer includes lint filters, remember to check lint filters after every 2 to 3 loads.

Sorting Laundry

Grouping Similar Items

For the best washing results, and to reduce the possibility of damage to clothing, sort clothing into loads made up of similar items.

Mixing different fabric types and/or soil levels can result in poor wash performance, color transfer, discoloration, fabric damage or linting. Fabrics should be sorted into groups as described below.

Colors

Sort articles by color. Wash dark clothes separately from light colors or whites. Mixing dark clothes with light clothes can result in dye transfer or discoloration of the lighter clothes.

Soil Level

Wash heavily soiled clothing together. Washing lightly soiled clothing in the same load with heavily soiled clothing could result in poor wash performance for the lightly soiled clothing.

Fabric Type

Delicate articles should not be mixed with heavy or sturdy fabric types. Washing heavy fabrics with delicates can result in poor wash performance for the heavy fabrics and possible damage to the delicates.

Lint Type

Some fabrics attract and bind lint to them while others give off lint in the laundry process. Avoid mixing these lint collectors and lint producers in the same load. Mixing these fabrics will result in pilling and linting on the lint collectors. (For example, lint collector - knit sweater; lint producer - terry cloth towels.)

How to Sort Laundry

| By Colors | By Soil | By Fabric | By Lint |
|-----------|---------|-----------|----------------|
| Whites | Heavy | Delicates | Lint Producer |
| Lights | Normal | Easy Care | Lint Collector |
| Darks | Light | Sturdy | |

CAUTION

- The washer can be fully loaded, but the tub should not be tightly packed with items. The lid of the washer should close easily.
- Use the **Bedding** cycle for buoyant or nonabsorbent items such as pillows or comforters. Failure to follow this caution can result in leakage.

Fabric Care Labels

Many articles of clothing include a fabric care label. Using the chart below, adjust the cycle and option selections to care for your clothing according to the manufacturer's recommendations.

| Category | Label | Directions |
|-------------------|-------|---|
| Washing | | Hand wash |
| | | Machine wash, Normal cycle |
| | | Perm Press/Wrinkle Resistant setting (which has a cool down or cold spray before the slower spin) |
| | | Gentle/Delicate setting (slow agitation and/or reduced wash time) |
| | | Do not wash |
| | | Do not wring |
| Water Temperature | ... | Hot |
| | .. | Warm |
| | . | Cold/Cool |
| Bleach Symbols | | Any bleach (when needed) |
| | | Only non-chlorine bleach (when needed) |
| | | Do not bleach |

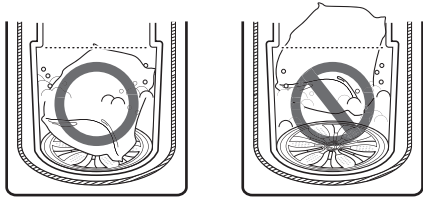
Loading the Washer

General Tips

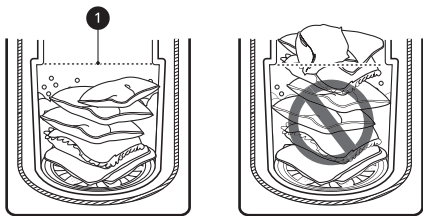
- Check and empty pockets. Paper clips, coins, matches, and other items can damage clothing and the washer.
- Close zippers and hooks, and tie drawstrings to prevent snagging or tangling of clothes.
- Pretreat heavily stained areas for best results.
- Brush off heavy soil, dust, and hair from items before washing. Excess dirt or sand can abrade other fabrics and lead to poor wash performance.
- Combine large and small items in the tub. Load large items first. Large items should not be more than half of total load.
- For best results, load dry items only. If washing very wet items, wring out excess water before loading, or run a **Spin Only** cycle to extract excess water before adding detergent and starting the desired cycle.

18 OPERATION

- The washer can be fully loaded, but the tub should not be tightly packed with items. The lid of the washer must close easily.



- The washer will not fill or operate with the lid open.
- Do not overload the tub. Clothes should fit loosely in the tub under the maximum fill line ①. Loading clothes over the fill line may result in damage to clothing and the washer.
 - Do not press down on items while stacking them in the tub.
 - Load clothes loosely, and do not overfill the tub. Clothes need room to circulate in order to get clean.



Bulky Items

- Do not wash entire pillows or cushions. Remove pillow or cushion inserts and wash the covers only.
- Use the **Bedding** cycle for large or bulky items such as poly-filled jackets, comforters, pillows, etc. These items may not be as absorbent as other laundry items and should be sorted into a separate wash load for best performance.
- Bulky items should be placed as far down in the tub as possible for best performance. Always place buoyant items at the bottom of the tub. The washer will automatically detect the load size. Because of the high efficiency wash system, the water level may not completely cover the load.

Small Items

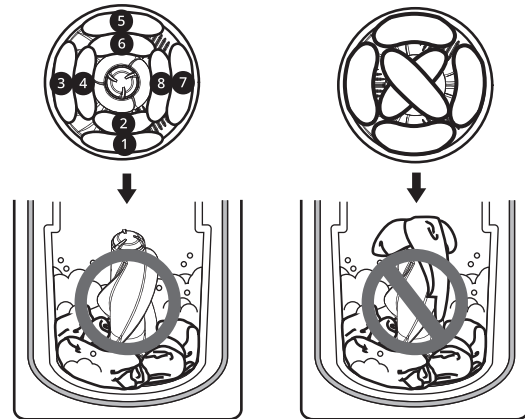
- Do not wash a single small item. Add enough similar items to the load to prevent an out-of-balance load.
- Wash small, light items in a mesh bag. Small items can get caught in the impeller at the

bottom of the tub, and brassiere hooks can damage other items or the tub.

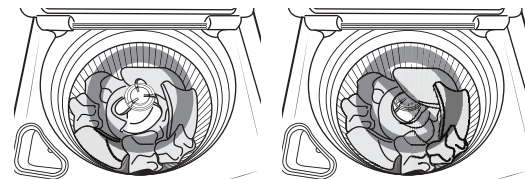
General Tips for Models with an Agitator

If the appliance uses a tall, vertical spindle in the drum, follow these instructions when loading the washer.

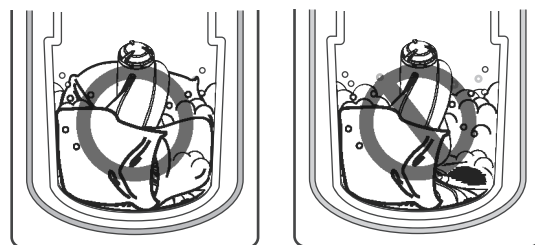
- For best performance, load clothes as shown.



- To reduce tangling, load items loosely in even piles surrounding the agitator.



- Do not load a single bulky item unless it fills the drum. Load several small bulky items around the agitator to balance the load.

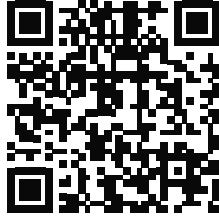


- Do not load bulky items such as pet beds that are too large or stiff to move easily around the agitator. Impeding the motion of the drum or agitator could cause damage to the items or the washer.

Additional Operation Information

The complete owner's manual can be found on the LG website at: <http://gscs-manual.lge.com/>

Total/DFZ/NA/TL/TD/main.html or by scanning the QR code.



- Sorting Laundry
- Adding Cleaning Products
- Control Panel
- Wash Cycles
- Cycle Modifiers
- Special Care Features
- Options and Extra Functions

20 SMART FUNCTIONS

SMART FUNCTIONS

LG ThinQ Application

The **LG ThinQ** application allows you to communicate with the appliance using a smartphone.

LG ThinQ Application Features

Smart Diagnosis

This function provides useful information for diagnosing and solving issues with the appliance based on the pattern of use.

Installing the LG ThinQ Application

Search for the **LG ThinQ** application from the Google Play Store or Apple App Store on a smartphone. Follow instructions to download and install the application.

Smart Diagnosis™ Function

Use this feature to help you diagnose and solve problems with your appliance.

NOTE

- For reasons not attributable to LGE's negligence, the service may not operate due to external factors such as, but not limited to, Wi-Fi unavailability, Wi-Fi disconnection, local app store policy, or app unavailability.
- The feature may be subject to change without prior notice and may have a different form depending on where you are located.

Using Audible Diagnosis to Diagnose Issues

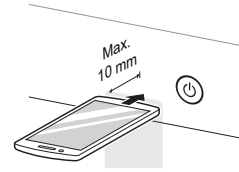
Follow the instructions below to use the audible diagnosis method.

- Launch the **LG ThinQ** application and select the **Smart Diagnosis™** feature in the menu. Follow the instructions for audible diagnosis provided in the **LG ThinQ** application.

- 1 Press the **Power** button to turn on the appliance.

- Do not press any other buttons.

- 2 Hold the mouthpiece of your phone close to **Power** button.



- 3 Press and hold the **Temp.** button for 3 seconds or longer while continuing to hold your phone near the **Power** button.

- 4 Keep the phone in place until the tone transmission has finished. When the tones have stopped, the diagnosis will be displayed in the application.

NOTE

- For best results, do not move the phone while the tones are being transmitted.

MAINTENANCE

⚠ WARNING

- To reduce the risk of fire, electric shock, or injury to persons, read this entire owner's manual, including the **SAFETY INSTRUCTIONS**, before operating this appliance.
- Unplug the appliance before cleaning to avoid the risk of electric shock. Failure to follow this warning can cause serious injury, fire, electric shock, or death.
- Do not use volatile substances (benzene, paint thinner, alcohol, acetone, etc.), abrasive cleaners, or detergents with strong chemical components when cleaning the appliance. Doing so may cause discoloration or damage to the appliance, or may cause a fire.
- Certain internal parts are intentionally not grounded and may present a risk of electric shock only during servicing. Service personnel - Do not contact the following parts while the appliance is energized: pump, motor, noise filter cover, and heater (on applicable models).

ENGLISH

Regular Cleaning

Care after Wash

- Always remove items from the washer as soon as the cycle is complete. Leaving damp items in the washer can cause wrinkling, color transfer, and odor.
- After the cycle is finished, wipe the lid and the inside of the lid seal to remove any moisture.
 - Wipe the body of the washer with a dry cloth to remove any moisture.
 - Leave the lid open to dry the tub interior.

NOTE

- Make sure children and pets do not climb into the tub. Engage the **Control Lock** feature if needed to prevent children from accidentally starting a wash cycle.

Cleaning the Exterior

Proper care of your washer can extend its life.

Lid:

- Wash with a damp cloth on the outside and inside and then dry with a soft cloth.

Exterior:

- Immediately wipe off any spills.
- Wipe with a damp cloth.
- Do not touch the surface with sharp objects.

Periodic Maintenance

Cleaning the Tub

Over time, residue may build up in the tub, leading to mildew or a musty odor. Run the **Tub Clean** cycle **monthly** to remove residue and prevent odor.

NOTE

- Make sure to run the **Tub Clean** cycle only when the tub is empty. Never load laundry while using this cycle. The laundry may be damaged or contaminated with cleaning products.
- Run the cycle more often under heavy use conditions or if odor is already present.
- If mildew or musty smell already exists, run this cycle once a week for three consecutive weeks.

1 Remove any clothing from the tub.

2 Adding cleaning agents.

| Cleaner | Instructions |
|------------------------|--|
| Tub cleaner | Follow manufacturer's recommendations. |
| Lime scale remover | |
| Liquid chlorine bleach | Add to main wash liquid detergent dispenser. |
| Powdered cleaner | Follow manufacturer's recommendations. |
| Cleaning tablets | Place directly into the washer tub. |

22 MAINTENANCE

- For other tub cleaning products, follow the cleaner manufacturer's instructions and recommendations.
- Do not exceed the maximum fill line when adding bleach or powdered cleaners. Powdered cleaners may remain in the tub after cleaning.

- 3 Close the lid and press the **Power** button to turn on the washer.
- 4 Turn the knob or press the cycle buttons to select the **Tub Clean** cycle then press the **Start/Pause** button to begin the cycle.
- 5 After the cycle ends, open the lid and allow the tub interior to dry completely.

⚠ WARNING

- Make sure children and pets do not climb into the tub. Engage the **Control Lock** feature if needed to prevent children from accidentally starting a wash cycle.

NOTE

- If you use a descaler or tub cleaner during the **Tub Clean** cycle, use the **Rinse+Spin** option to rinse the washer tub before running your next wash cycle.

Removing Mineral Buildup

In areas with hard water, mineral scale can form on internal components of the washer. Periodically clean the mineral buildup on the internal components to extend the lifespan of the washer. Use of a water softener is recommended in areas with hard water.

- Use a descaler to remove visible mineral buildup on the washer tub.
- After descaling, always run the **Tub Clean** cycle before washing clothing.
- Mineral scale and other spots may be removed from the stainless steel tub using a soft cloth soaked in stainless steel cleaner.
- Do not use steel wool or abrasive cleaners.

Leaving the Lid Open

After you finish using the washer, leave the lid open overnight to allow air to circulate and dry the tub. This helps prevent odors.

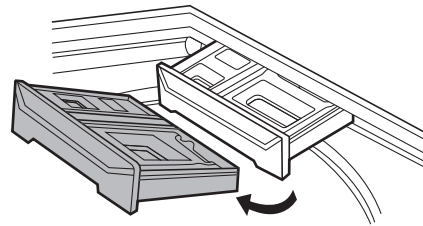
Cleaning the Dispenser Drawer

Detergent and fabric softener may build up in the dispenser drawer. Remove the drawer and inserts and check for buildup **once or twice a month**.

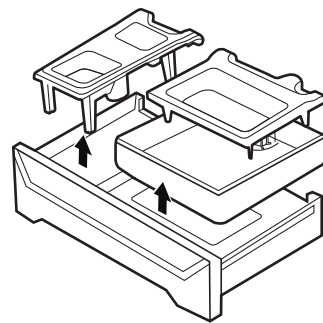
⚠ WARNING

- Do not spray water inside the washer. Doing so may cause fire or electric shock.

- 1 Turn off the washer, and unplug the power cord.
- 2 Remove the drawer by pulling it straight out until it stops. Lift the front of the drawer upwards and pull it completely out.



- 3 Remove the inserts from the two compartments.



- 4 Clean the inserts and drawer with warm water.
 - Use a soft cloth or brush to clean and remove any residue.
 - Do not use soap when cleaning the drawer and inserts.

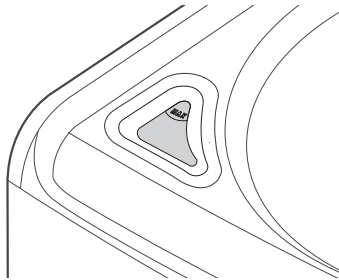
- 5 Wipe off any moisture with a dry towel or cloth after cleaning.
- 6 To clean the drawer opening, use a small, non-metal brush to clean the recess. Remove all residue from the upper and lower parts of the recess.
- 7 Return the inserts to the proper compartments and replace the drawer.
 - Set the drawer into the opening at an angle, then lower it and slide it into place.

Cleaning the Bleach Dispenser

Bleach may build up on the bleach dispenser cover. Check for buildup and clean the cover **once or twice a month**.

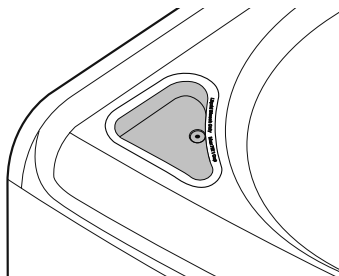
Automatic Bleach Dispenser

Remove the cover from the bleach dispenser. Clean the cover and the opening with warm water.



Immediate Bleach Dispenser

The cover cannot be separated from the dispenser. Clean the cover using a brush and warm water.



Cleaning the Water Inlet Filters

If the washer does not fill properly, the Warm LED may flash. The inlet valve filter screens could be clogged by hard water scale, sediment in the water supply, or other debris.

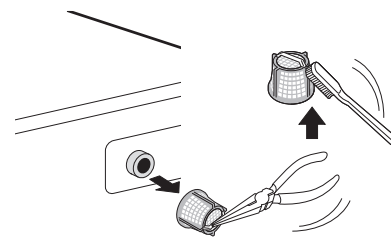
⚠ WARNING

- The inlet screens protect the delicate parts of the inlet valve from being damaged by particles that could enter the valves with the water supply. Operating the washer with these filters removed could cause a valve to open continuously, resulting in flooding and/or property damage.

⚠ CAUTION

- Do not use the washer without the inlet filters. Doing so it will cause leaks and malfunction.
- If you use the washer in an area with hard water, the inlet filter may clog due to lime buildup and require more frequent cleaning.

- 1 Turn off the washer, and unplug the power cord.
- 2 Turn off hot and cold water faucets.
- 3 Unscrew the hot and cold water hoses from the back of the washer.
- 4 Remove the filters from the water valves carefully.
 - Use pliers to pull out the filters from the water valves.



- 5 Remove foreign objects and soak the filters in white vinegar or a lime scale remover.
 - If using a lime scale remover, follow the manufacturer's instructions. Be careful not to damage the filters while cleaning them.
- 6 Rinse filters thoroughly and press them back into place.
- 7 Flush then reattach the water hoses.
 - Before reattaching the water inlet hoses, flush them by running several gallons of water through them into a bucket or drain,

24 MAINTENANCE

preferably with the faucets wide open for maximum flow.

NOTE

- The **Warm** LED may flash when the water pressure is low or an inlet filter is clogged with dirt. Clean the inlet filter.

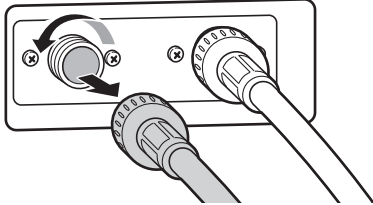
Care in Cold Climates

Storing the Washer

If the washer will not be used for an extended period of time and is in an area that could be exposed to freezing temperatures, follow these steps to protect the washer from damage.

NOTE

- Make sure the tub is empty before following these steps.

- 1 Turn off the washer, and unplug the power cord.
 - 2 Turn off the water faucets.
 - 3 Disconnect hoses from water supply and drain water from hoses.
- 
- 4 Plug the power cord into a properly grounded electrical outlet.
 - 5 Add 1 gallon of nontoxic recreational vehicle (RV) antifreeze to the empty tub and close the lid.
 - Never use automotive antifreeze.
 - 6 Turn on the washer and select the **Spin Only** cycle.

- 7 Press the **Start/Pause** button to start the drain pump for **1 minute**.
 - This will expel some of the antifreeze, leaving enough to protect the washer from damage.
- 8 Turn off the washer and unplug the power cord.
- 9 Dry the tub interior with a soft cloth, and close the lid.
- 10 Store the washer in an upright position.
- 11 Remove the inserts from the dispenser. Drain any water in the compartments and let them dry.
- 12 To remove the antifreeze from the washer after storage, run a **Speed Wash** cycle using detergent.
 - Do not add laundry to this cycle.

When the Water Inlet Hoses are Frozen

- 1 Turn off the washer, and unplug the power cord.
- 2 Turn off the faucets connected to the water inlet hoses.
- 3 Pour hot water on the frozen faucets to thaw the water inlet hoses and remove the water inlet hoses.
- 4 Immerse the water inlet hoses in hot water to thaw them.
- 5 Reconnect the water inlet hoses to the water inlets of the washer and to the faucets.
 - See **Connecting the Water Inlet Hoses** for details.
- 6 Turn on the faucets.
- 7 Press the **Power** button to turn on the washer.

- 8** Select the **Spin Only** cycle. There will be a brief rinse before the tub drains and spins.
- 9** Press the **Start/Pause** button and check that the water fills properly.

When the Drain Hose is Frozen

- 1** Pour hot water in the washer tub and close the lid.
- 2** Wait for 1 - 2 hours.
- 3** Press the **Power** button to turn on the washer.
- 4** Select the **Spin Only** cycle to drain and spin the tub.
- 5** Press the **Start/Pause** button to make sure the water drains.

26 TROUBLESHOOTING

TROUBLESHOOTING

The washer is equipped with an automatic error-monitoring system to detect and diagnose problems at an early stage. If the washer does not function properly or does not function at all, check the following before you call for service.

Before Calling for Service

Error Messages

| Problem | Possible Cause & Solution |
|--|--|
| Extra Rinse LED Blinks UNBALANCE ERROR | The load is too small. <ul style="list-style-type: none"> • Add additional items to allow the washer to balance the load. |
| | Heavy articles are mixed with lighter items. <ul style="list-style-type: none"> • Always try to wash articles of somewhat similar weight to allow the washer to evenly distribute the weight of the load for spinning. |
| | The load is out of balance. <ul style="list-style-type: none"> • Manually redistribute the load if articles have become tangled, preventing the automatic rebalancing from working properly. |
| Warm LED Blinks INLET ERROR | Water supply faucets are not fully open. <ul style="list-style-type: none"> • Make sure that the water faucets are fully open. |
| | Water inlet hoses are kinked, pinched, or crushed. <ul style="list-style-type: none"> • Make sure that the hoses are not kinked, pinched or crushed behind or under the washer. Be careful when moving the washer during cleaning or maintenance. |
| | Water inlet filters are clogged. <ul style="list-style-type: none"> • Clean the inlet filters. See MAINTENANCE. |
| | Water supply pressure to faucet or house is too low. <ul style="list-style-type: none"> • Check another faucet in the house to make sure that household water pressure is adequate and flow is not restricted. • Disconnect the water inlet hoses from the washer and run a few gallons of water through the hoses to flush out any dirt. • If flow is too low, contact a plumber to have the water supply lines repaired. |
| | Water supply connected with leak-limiting hoses. <ul style="list-style-type: none"> • The use of hoses designed to limit leaks is not recommended. Leak-limiting hoses can trip falsely and prevent the washer from filling. |
| Cold LED Blinks WATER OUTLET ERROR | Drain hose is kinked, pinched, or clogged. <ul style="list-style-type: none"> • Make sure that the drain hose is free of clogs or kinks and is not pinched behind or under the washer. |
| | The end of the drain hose is more than 96 inches (2.4 m) above the bottom of the washer. <ul style="list-style-type: none"> • Move the end of the drain hose so that it is lower than 96 inches (2.4 m). |
| Control Lock LED ON CONTROL LOCK FUNCTION | The control lock function is on to prevent anyone from changing cycles or operating the washer. <ul style="list-style-type: none"> • Turn off the control lock function in the control panel. See Control Lock under Options and Extra Functions. |

| Problem | Possible Cause & Solution |
|--|---|
| Rinse+Spin LED Blinks DRAIN FEATURE | Special drain feature <ul style="list-style-type: none"> If the washer is paused during a cycle for more than 4 minutes, the cycle will be canceled and any water remaining in the tub will be drained. This is not an error code. It indicates that the drain function is operating. |
| Door Lock and Control Lock LEDs Blink LID ERROR | Lid is not closed properly. <ul style="list-style-type: none"> Close the lid properly. If the lid is closed and this error message is still displayed, call for service. |
| Door Lock LED Blinks LID LOCK ERROR | Lid is not locked properly. <ul style="list-style-type: none"> Make sure that the lid is closed properly and press the Start/Pause button. You can hear the locking sound to lock the lid in the beginning of the cycle. The washer will not operate unless the lid is locked. Make sure that nothing is caught under the lid, including shipping material or clothing. Make sure that the latch mechanism is fully retracted. Make sure that the latch mechanism is fully retracted. If the lid is closed and this error message is still displayed, call for service. |
| Extra Rinse and Cold LEDs Blink FOREIGN OBJECT ERROR | Foreign objects such as coins, pins, clips, etc., are caught between the pulsator and the inner tub. <ul style="list-style-type: none"> Turn the washer off then on again. Press the Spin button without selecting a cycle to drain and spin the load. When the Spin cycle is completed, empty the tub and find and remove any objects caught in the pulsator. Always check pockets, etc., before washing to prevent error codes or damage to the washer or clothing. |
| Tub Clean LED Blinks TUB CLEAN ALARM | It is time to run the Tub Clean cycle. <ul style="list-style-type: none"> This is not an error code. It indicates that the Tub Clean cycle is running or needs to be run to clean the washer tub. Not applicable for all models. |
| Rinse+Spin and Warm LEDs Blink TEMPERATURE SENSOR ERROR | Control error <ul style="list-style-type: none"> Unplug the washer and wait 60 minutes. Reconnect power and try again. If the error code is still displayed, call for service. |
| Rinse+Spin and Cold LEDs Blink OVERFLOW ERROR | Water level is too high due to a faulty water valve. <ul style="list-style-type: none"> Close the water faucets, unplug the washer, and call for service. |
| Hot LED Blinks PRESSURE SENSOR ERROR | The water level sensor is not working correctly. <ul style="list-style-type: none"> Close the water faucets, unplug the washer, and call for service. |
| Deep Fill and Cold LEDs Blink MOTOR LOCKED ERROR | A motor error has occurred. <ul style="list-style-type: none"> Allow the washer to stand for 30 minutes and then restart the cycle. If the error code is still displayed, call for service. |
| Deep Fill LED Blinks CLUTCH ERROR | Clutch error <ul style="list-style-type: none"> Mechanical failure Unplug the washer and call for service. |
| Deep Fill and Warm LEDs Blink SUPPLY VOLTAGE ERROR | Supply voltage is not correct. <ul style="list-style-type: none"> Please call LG service center. You can find your local LG service center phone number on back cover page. |

28 TROUBLESHOOTING

Noises

| Problem | Possible Cause & Solution |
|---|--|
| Clicking | Lid lock sounds when the lid locks or unlocks. <ul style="list-style-type: none"> • Normal operation |
| Spraying or hissing | Water spraying or circulating during the cycle <ul style="list-style-type: none"> • Normal operation |
| Humming or Gurgling | Drain pump is pumping water from the washer at times during a cycle. <ul style="list-style-type: none"> • Normal operation |
| Water sloshing | A liquid in the balance ring around the pulsator helps the basket spin smoothly. <ul style="list-style-type: none"> • Normal operation |
| Water being added after the washer has already begun to operate | The washer adapts to the load size and type to add more water to the cycle as needed. <ul style="list-style-type: none"> • Normal operation |
| | The wash load may be unbalanced. If the washer senses that the load is unbalanced, it will stop and refill to redistribute the load. <ul style="list-style-type: none"> • Normal operation |
| | The washer may be diluting laundry additives to add to the wash load. <ul style="list-style-type: none"> • Normal operation |
| Rattling and clanking noise | Foreign objects, such as keys, coins, or safety pins may be in tub or pump. <ul style="list-style-type: none"> • Stop the washer, check the tub and the drain filter for foreign objects. • If noise continues after the washer is restarted, call for service. |
| Thumping sound | Heavy wash loads may produce a thumping sound. <ul style="list-style-type: none"> • This is normal, but if the sound continues, the washer is probably out of balance. Stop and redistribute wash load. |
| | Wash load may be out of balance. <ul style="list-style-type: none"> • Pause the cycle and redistribute the load after the lid unlocks. |
| Vibrating noise | Packaging materials were not removed. <ul style="list-style-type: none"> • See Unpacking and Removing Shipping Material in INSTALLATION. |
| | Wash load may be unevenly distributed in the tub. Wash load may be unevenly distributed in the tub. <ul style="list-style-type: none"> • Pause the cycle and redistribute the load after the lid unlocks. |
| | Not all leveling feet are resting firmly and evenly on the floor. <ul style="list-style-type: none"> • See Leveling the Washer in INSTALLATION. |
| | Floor is not rigid enough. <ul style="list-style-type: none"> • Make sure that the floor is solid and does not flex. See Flooring in INSTALLATION. |
| Squeaking noise | Packaging materials were not removed. <ul style="list-style-type: none"> • See Unpacking and Removing shipping Material in INSTALLATION. |
| Banging noise when the washer is filling with water.(Water hammer) | Plumbing in the home moves or flexes when the water valves in the washer shut off. <ul style="list-style-type: none"> • Water hammer is not caused by a defect in the washer. Install water hammer arrestors (purchased separately at hardware or home improvement store) between the fill hose and the washer for best results. |
| | Household water supply pressure is very high. <ul style="list-style-type: none"> • Adjust household water supply regulator to a lower pressure or contact a plumber. |

Operation

| Problem | Possible Cause & Solution |
|---|--|
| Water Leaking | Hoses are not connected correctly. <ul style="list-style-type: none"> • Check hoses and connectors for leaks, cracks, and splits. • Check and tighten hose connections. |
| | House drain pipes are clogged. <ul style="list-style-type: none"> • The washer pumps out water very rapidly. Check for water backing up out of the drain pipe during drain. If water is seen coming out of the drain, check for proper drain hose installation and check for restrictions in the drain. • Contact a plumber to repair drain pipe. |
| | Drain hose has come out of the drain connector or is not inserted far enough. <ul style="list-style-type: none"> • Tie drain hose to inlet hose or standpipe to prevent it from coming out during drain. • For smaller drain pipes, insert the drain hose into the pipe as far as the drain hose flange. For larger drain pipes, insert the drain hose into the pipe 1 - 2 inches past the flange. |
| | A large item such as a pillow or blanket is above the top of the tub. <ul style="list-style-type: none"> • Use the Bedding cycle for large or bulky items. Use extra care and never wash more than half a load of items that float, such as pillows. • Stop the washer and check the load. Make sure that the load does not crest above the top edge of the tub. |
| | Oversudsing of detergent <ul style="list-style-type: none"> • Oversudsing may create leaks, and may be caused by the type and amount of detergent used. HE (High-Efficiency) detergent is the only detergent recommended. The normal amount of detergent to use is 1/4 to 1/2 of the maximum amount recommended by the detergent manufacturer. • Always reduce the amount of detergent if the load is small or lightly soiled, or if the water is very soft. • Never use more than the maximum amount recommended by the detergent manufacturer. |
| Excessive sudsing | Too much detergent or incorrect detergent <ul style="list-style-type: none"> • HE detergents are formulated specifically for HE (High-Efficiency) washers and contain suds reducing agents. Only use detergent with the HE (High-Efficiency) logo. • For detergent quantities refer to Detergent Use in OPERATION. If sudsing or detergent residue continues to be an issue, add an extra rinse. |
| Washer will not turn on. | Power cord is not properly plugged in. <ul style="list-style-type: none"> • Make sure that the plug is plugged securely into a grounded, 3-prong, 120-VAC, 60 Hz outlet. |
| | House fuse is blown, circuit breaker has tripped, or power outage has occurred. <ul style="list-style-type: none"> • Reset circuit breaker or replace fuse. Do not increase fuse capacity. If the problem is a circuit overload, have it corrected by a qualified election. |
| Incomplete or no dispensing of detergent | Detergent compartments clogged from incorrect filling. <ul style="list-style-type: none"> • Make sure that detergent and additives are put into the correct dispenser compartments. • For all detergent types, always make sure that the dispenser drawer is fully closed before the start of the cycle. |

ENGLISH

30 TROUBLESHOOTING

| Problem | Possible Cause & Solution |
|---|--|
| Incomplete or no dispensing of detergent | Too much detergent used. <ul style="list-style-type: none"> • Make sure that the suggested amount of detergent is used according to the manufacturer's recommendations. You may also dilute the detergent with water to the maximum fill line on the compartment to avoid clogging. Use only HE (High-Efficiency) detergent. - Always use as little detergent as possible. HE (High-Efficiency) washers need very little detergent to achieve optimum results. Using too much detergent will cause poor wash and rinse performance and may contribute to odors in the washer. |
| | Insufficient water supply <ul style="list-style-type: none"> • Make sure that both hot and cold water faucets are turned on all the way. |
| | Normal residue <ul style="list-style-type: none"> • It is normal for a small amount of detergent to remain in the dispenser. If this residue builds up, it can interfere with normal dispensing of detergents. Refer to the cleaning instructions. |
| Washer will not operate. | Control panel has powered off due to inactivity. <ul style="list-style-type: none"> • This is normal. Press the Power button to turn on the washer. |
| | Washer is unplugged. <ul style="list-style-type: none"> • Make sure that the power cord is plugged securely into an electrical outlet. |
| | Water supply is turned off. <ul style="list-style-type: none"> • Turn both hot and cold faucets fully on. |
| | Controls are not set properly. <ul style="list-style-type: none"> • Make sure that the cycle was set correctly, close the lid and press the Start/Pause button to start the wash cycle. |
| | Lid is open. <ul style="list-style-type: none"> • Close the lid and make sure that nothing is caught under the lid preventing it from closing completely. |
| | Circuit breaker/fuse is tripped/blown. <ul style="list-style-type: none"> • Check house circuit breakers/fuses. Replace fuses or reset breaker. The washer should be on a dedicated branch circuit. |
| | Start/Pause button was not pressed after the cycle was set. <ul style="list-style-type: none"> • Press the Power button then reselect the desired cycle and press the Start/Pause button. If the Start/Pause button is not pressed within a certain time, the washer will be turned off. (The time varies by model, from 4 to 60 minutes.) |
| | Extremely low water pressure. <ul style="list-style-type: none"> • Check another faucet in the house to make sure that household water pressure is adequate. |
| | Washer is too cold. <ul style="list-style-type: none"> • If the washer has been exposed to temperatures below freezing for an extended period of time, allow it to warm up before pressing the Power button. Otherwise, the display will not come on. |
| Washer is not filling properly. | Filter is clogged. <ul style="list-style-type: none"> • Make sure that inlet filters on the fill valves are not clogged. Refer to Cleaning the Water Inlet Filters in MAINTENANCE. |
| | Inlet hoses may be kinked. <ul style="list-style-type: none"> • Check that inlet hoses are not kinked or clogged. |
| | Energy efficiency <ul style="list-style-type: none"> • This is a High-Efficiency (HE) washer. As a result, the water level settings for this washer may be different than for conventional washer. |

| Problem | Possible Cause & Solution |
|---|---|
| Washer is not filling properly. | Insufficient water supply <ul style="list-style-type: none"> Make sure that both hot and cold water faucets are turned on all the way. |
| | Washer lid is open. <ul style="list-style-type: none"> Close the lid and make sure that nothing is caught under the lid preventing it from closing completely. |
| | Water level is too low. <ul style="list-style-type: none"> The water will not normally cover the clothes. The fill level is optimized for the wash motion to achieve the best wash performance. |
| Water in the washer does not drain or drains slowly. | Drain hose is kinked, pinched, or clogged. <ul style="list-style-type: none"> Make sure that the drain hose is free of clogs or kinks and is not pinched behind or under the washer. |
| | The end of the drain hose is more than 96 inches (2.4 m) above the bottom of the washer. <ul style="list-style-type: none"> Move the end of the drain hose so that it is lower than 96 inches (2.4 m). |
| Bleach does not dispense. | Bleach dispenser cover is not properly installed (on some models). <ul style="list-style-type: none"> Make sure that the bleach cover is properly installed and snapped into place before the beginning of the cycle. |
| | Bleach dispenser is dirty or clogged. <ul style="list-style-type: none"> Lift out the bleach dispenser cover and clean out the reservoir. Lint and other foreign debris that are collected inside the dispenser may prevent proper dispensing of the bleach. |
| Premature dispensing of bleach | Bleach dispenser filled for future load. <ul style="list-style-type: none"> You cannot store bleach in the dispenser for future use. The bleach will be dispensed every load. |
| | Overfilling the bleach dispenser <ul style="list-style-type: none"> Overfilling the bleach dispenser will cause the bleach to dispense immediately, which will damage the laundry or the washer. Always measure bleach, but never fill above the max line on the dispenser. A half cup of bleach is sufficient for most loads. Never use more than 1 cup of bleach. |

Performance

| Problem | Possible Cause & Solution |
|------------------|--|
| Wrinkling | Washer is not unloaded promptly. <ul style="list-style-type: none"> Always remove items from the washer as soon as the cycle is complete. |
| | Washer is overloaded. <ul style="list-style-type: none"> The washer can be fully loaded, but the tub should not be tightly packed with items. The lid of the washer should close easily. |
| | Hot and cold water inlet hoses are reversed. <ul style="list-style-type: none"> Hot water rinse can set wrinkles in garments. Check the Inlet hose connectors. |
| Staining | Bleach or softener dispensed too soon. <ul style="list-style-type: none"> Dispenser compartment was overfilled, causing the bleach or softener to dispense immediately. Always measure bleach, and never use more than 1 cup. |
| | Bleach or softener was added directly to the wash load in the tub. <ul style="list-style-type: none"> Always use the dispensers to ensure that laundry products are properly dispensed at the right time in the cycle. |

32 TROUBLESHOOTING

| Problem | Possible Cause & Solution |
|--|---|
| Staining | Washer was not unloaded promptly. <ul style="list-style-type: none">• Always remove items from the washer as soon as possible after the cycle is completed. |
| | Clothes were not properly sorted. <ul style="list-style-type: none">• Always wash dark colors separately from light colors and whites to prevent discoloration.• Never wash heavily soiled items with lightly soiled items. |
| Poor stain removal | Previously set stains. <ul style="list-style-type: none">• Articles that have previously been washed may have stains that have been set. These stains may be difficult to remove and may require hand washing or pre-treating to aid in stain removal. |
| Musty or mildewy odor in the washer | Incorrect or too much detergent has been used. <ul style="list-style-type: none">• Use only HE (High-Efficiency) detergent in accordance with the manufacturer's instructions. |
| | Inside of the tub was not cleaned properly. <ul style="list-style-type: none">• Run the Tub Clean cycle regularly. |

LIMITED WARRANTY

USA

TERMS AND CONDITIONS

ARBITRATION NOTICE: THIS LIMITED WARRANTY CONTAINS AN ARBITRATION PROVISION THAT REQUIRES YOU AND LG ELECTRONICS (“LG”) TO RESOLVE DISPUTES BY BINDING ARBITRATION INSTEAD OF IN COURT, UNLESS YOU CHOOSE TO OPT OUT. IN ARBITRATION, CLASS ACTIONS AND JURY TRIALS ARE NOT PERMITTED. PLEASE SEE THE SECTION TITLED “PROCEDURE FOR RESOLVING DISPUTES” BELOW.

Should your LG Washer (“Product”) fail due to a defect in materials or workmanship under normal and proper use, during the warranty period set forth below, LG will, at its option, repair or replace the Product. This limited warranty is valid only to the original retail purchaser of the Product (“You”) and applies only when purchased lawfully and used within the United States including U.S. Territories.

| WARRANTY PERIOD | | |
|---|---|--|
| Washer | Stainless Steel Tub | Direct Drive Motor (Stator and Rotor) |
| Parts (internal/ functional parts only) and Labor: One (1) year from the date of original retail purchase | Parts Only: Three (3) years from the date of original retail purchase You are responsible for any applicable labor cost. | Parts Only: Ten (10) years from the date of original retail purchase You are responsible for any applicable labor cost. |

- Replacement Products and parts are warranted for the remaining portion of the original warranty period or ninety (90) days, whichever is greater.
- Replacement Products and parts may be new, reconditioned, refurbished, or otherwise factory remanufactured.
- Replaced Product or part(s) will be the property of LG.
- Proof of original retail purchase specifying the Product model and date of purchase is required to obtain warranty service under this limited warranty.

EXCEPT TO THE EXTENT PROHIBITED BY APPLICABLE LAW, ANY IMPLIED WARRANTY OF MERCHANTABILITY OR FITNESS FOR A PARTICULAR PURPOSE ON THE PRODUCT IS LIMITED IN DURATION TO THE DURATION OF THE ABOVE LIMITED WARRANTY. UNDER NO CIRCUMSTANCES SHALL LG OR ITS U.S. DISTRIBUTORS/DEALERS BE LIABLE FOR ANY INDIRECT, INCIDENTAL, CONSEQUENTIAL, SPECIAL, OR PUNITIVE DAMAGES, INCLUDING, WITHOUT LIMITATION, LOST GOODWILL, LOST REVENUES OR PROFITS, WORK STOPPAGE, IMPAIRMENT OF OTHER GOODS, COST OF REMOVAL AND REINSTALLATION OF THE PRODUCT, LOSS OF USE, OR ANY OTHER DAMAGES WHETHER BASED IN CONTRACT, TORT, OR OTHERWISE. LG’S TOTAL LIABILITY, IF ANY, SHALL NOT EXCEED THE PURCHASE PRICE PAID BY YOU FOR THE PRODUCT.

SOME STATES DO NOT ALLOW THE EXCLUSION OR LIMITATION OF INCIDENTAL OR CONSEQUENTIAL DAMAGES OR LIMITATIONS ON HOW LONG AN IMPLIED WARRANTY LASTS, SO THE ABOVE EXCLUSIONS OR LIMITATIONS MAY NOT APPLY TO YOU. THIS LIMITED WARRANTY GIVES YOU SPECIFIC LEGAL RIGHTS AND YOU MAY ALSO HAVE OTHER RIGHTS THAT VARY FROM STATE TO STATE.

THIS LIMITED WARRANTY DOES NOT COVER:

- Service trips to deliver, pick up, or install, educate how to operate, correct wiring, or correct unauthorized repairs.
- Damage or failure of the Product to perform during power failures and interrupted or inadequate electrical service.
- Damage or failure of the Product caused by leaky or broken water pipes, frozen water pipes, restricted drain lines, inadequate or interrupted water supply or inadequate supply of air.

34 LIMITED WARRANTY

- Damage or failure of the Product resulting from operating the Product in a corrosive atmosphere or contrary to the Product owner's manual.
- Damage or failure of the Product caused by accidents, pests and vermin, lightning, wind, fire, floods, acts of nature, or any other causes beyond the control of LG.
- Damage or failure of the Product caused by unauthorized modification or alteration, or if the Product is used for other than the intended purpose, or any water leakage where the Product was not properly installed.
- Damage or failure of the Product caused by incorrect electrical current, voltage, or plumbing codes.
- Damage or failure of the Product caused by transportation, storage, and/or handling, including scratches, dents, chips, and/or other damage to the finish of the Product, unless such damage is reported within one (1) week of delivery.
- Damage or failure of the Product resulting from misuse, abuse, improper installation, repair, or maintenance. Improper repair includes the use of parts not authorized by LG. Improper installation or maintenance includes installation or maintenance contrary to the Product owner's manual.
- Damage or failure of the Product caused by the use of parts, components, accessories, consumable cleaning products, or any other products or services that were not authorized by LG.
- Damage or missing items to any display or open box Product.
- Refurbished Product or any Product sold "As Is", "Where Is", "With all Faults", or similar disclaimer.
- Products with original serial numbers that have been removed, altered, or cannot be readily determined.
- Increases in utility costs and additional utility expenses.
- Any noises associated with normal operation.
- Products used for other than normal and proper household use (e.g., commercial or industrial use) or contrary to the Product owner's manual.
- Costs associated with removal and reinstallation of the Product for repairs, or the removal and reinstallation of the Product if it is installed in an inaccessible location or not installed in accordance with the Product Owner's manual.
- Accessories, removable components, or consumable parts (e.g. Shelves, door bins, drawers, water/air filters, racks, light bulbs, batteries, etc., as applicable), except for internal/functional parts covered under this limited warranty.

The cost of repair or replacement under these excluded circumstances shall be borne by You.

TO OBTAIN WARRANTY SERVICE AND ADDITIONAL INFORMATION

Call 1-800-243-0000 and select the appropriate option from the menu.

Or visit our website at <http://www.lg.com>

Or by mail: LG Electronics Customer Service P.O. Box 240007 Huntsville, AL 35813 ATTN: CIC

PROCEDURE FOR RESOLVING DISPUTES:

ALL DISPUTES BETWEEN YOU AND LG ARISING OUT OF OR RELATING IN ANY WAY TO THIS LIMITED WARRANTY OR THE PRODUCT SHALL BE RESOLVED EXCLUSIVELY THROUGH BINDING ARBITRATION, AND NOT IN A COURT OF GENERAL JURISDICTION. BINDING ARBITRATION MEANS THAT YOU AND LG ARE EACH WAIVING THE RIGHT TO A JURY TRIAL AND TO BRING OR PARTICIPATE IN A CLASS ACTION.

Definitions. For the purposes of this section, references to "LG" mean LG Electronics U.S.A., Inc., its parents, subsidiaries and affiliates, and each of their officers, directors, employees, agents, beneficiaries, predecessors in interest, successors, assigns and suppliers; references to "dispute" or "claim" shall include any dispute, claim or controversy of any kind whatsoever (whether based in contract, tort, statute, regulation, ordinance, fraud, misrepresentation or any other legal or equitable theory) arising out of or relating in any way to the sale, condition or performance of the product or this Limited Warranty.

Notice of Dispute. In the event you intend to commence an arbitration proceeding, you must first notify LG in writing at least 30 days in advance of initiating the arbitration by sending a letter to LG at LG Electronics USA, Inc. Attn: Legal Department- Arbitration 111 Sylvan Avenue, Englewood Cliffs, NJ 07632. You and LG agree to engage in good faith discussions in an attempt to amicably resolve your claim. The

notice must provide your name, address, and telephone number; identify the product that is the subject of the claim; and describe the nature of the claim and the relief being sought. If you and LG are unable to resolve the dispute within 30 days, either party may proceed to file a claim for arbitration.

Agreement to Binding Arbitration and Class Action Waiver. Upon failure to resolve the dispute during the 30 day period after sending written notice to LG, you and LG agree to resolve any claims between us only by binding arbitration on an individual basis, unless you opt out as provided below. Any dispute between you and LG shall not be combined or consolidated with a dispute involving any other person's or entity's product or claim. More specifically, without limitation of the foregoing, any dispute between you and LG shall not under any circumstances proceed as part of a class or representative action. Instead of arbitration, either party may bring an individual action in small claims court, but that small claims court action may not be brought on a class or representative basis.

Arbitration Rules and Procedures. To begin arbitration of a claim, either you or LG must make a written demand for arbitration. The arbitration will be administered by the American Arbitration Association ("AAA") and will be conducted before a single arbitrator under the AAA's Consumer Arbitration Rules that are in effect at the time the arbitration is initiated (referred to as the "AAA Rules") and under the procedures set forth in this section. The AAA Rules are available online at www.adr.org/consumer. Send a copy of your written demand for arbitration, as well as a copy of this provision, to the AAA in the manner described in the AAA Rules. You must also send a copy of your written demand to LG at LG Electronics USA, Inc. Attn: Legal Department- Arbitration 111 Sylvan Avenue, Englewood Cliffs, NJ 07632. If there is a conflict between the AAA Rules and the rules set forth in this section, the rules set forth in this section will govern. This arbitration provision is governed by the Federal Arbitration Act. Judgment may be entered on the arbitrator's award in any court of competent jurisdiction. All issues are for the arbitrator to decide, except that issues relating to the scope and enforceability of the arbitration provision and to the arbitrability of the dispute are for the court to decide. The arbitrator is bound by the terms of this provision.

Governing Law. The law of the state of your residence shall govern this Limited Warranty and any disputes between us except to the extent that such law is preempted by or inconsistent with applicable federal law.

Fees/Costs. You do not need to pay any fee to begin an arbitration. Upon receipt of your written demand for arbitration, LG will promptly pay all arbitration filing fees to the AAA unless you seek more than \$25,000 in damages, in which case the payment of these fees will be governed by the AAA Rules. Except as otherwise provided for herein, LG will pay all AAA filing, administration and arbitrator fees for any arbitration initiated in accordance with the AAA Rules and this arbitration provision. If you prevail in the arbitration, LG will pay your attorneys' fees and expenses as long as they are reasonable, by considering factors including, but not limited to, the purchase amount and claim amount. Notwithstanding the foregoing, if applicable law allows for an award of reasonable attorneys' fees and expenses, an arbitrator can award them to the same extent that a court would. If the arbitrator finds either the substance of your claim or the relief sought in the demand is frivolous or brought for an improper purpose (as measured by the standards set forth in Federal Rule of Civil Procedure 11(b)), then the payment of all arbitration fees will be governed by the AAA Rules. In such a situation, you agree to reimburse LG for all monies previously disbursed by it that are otherwise your obligation to pay under the AAA Rules. Except as otherwise provided for, LG waives any rights it may have to seek attorneys' fees and expenses from you if LG prevails in the arbitration.

Hearings and Location. If your claim is for \$25,000 or less, you may choose to have the arbitration conducted solely on the basis of (1) documents submitted to the arbitrator, (2) through a telephonic hearing, or (3) by an in-person hearing as established by the AAA Rules. If your claim exceeds \$25,000, the right to a hearing will be determined by the AAA Rules. Any in-person arbitration hearings will be held at a location within the federal judicial district in which you reside unless we both agree to another location or we agree to a telephonic arbitration.

Opt Out. You may opt out of this dispute resolution procedure. If you opt out, neither you nor LG can require the other to participate in an arbitration proceeding. To opt out, you must send notice to LG no later than 30 calendar days from the date of the first consumer purchaser's purchase of the product by either: (i) sending an e-mail to optout@lge.com, with the subject line: "Arbitration Opt Out" or (ii) calling 1-800-980-2973. You must include in the opt out e-mail or provide by telephone: (a) your name and address; (b) the date on which the product was purchased; (c) the product model name or model number; and (d) the serial number (the serial number can be found (i) on the product; or (ii) online by accessing <https://www.lg.com/us/support/repair-service/schedule-repair-continued> and clicking on "Find My Model & Serial Number").

36 LIMITED WARRANTY

You may only opt out of the dispute resolution procedure in the manner described above (that is, by e-mail or telephone); no other form of notice will be effective to opt out of this dispute resolution procedure. Opting out of this dispute resolution procedure will not affect the coverage of the Limited Warranty in any way, and you will continue to enjoy the full benefits of the Limited Warranty. If you keep this product and do not opt out, then you accept all terms and conditions of the arbitration provision described above.



Escanee el código QR para ver el manual.



MANUAL DEL PROPIETARIO

LAVADORA

Lea el manual del propietario detenidamente previo a operar el electrodoméstico y mantengalo al alcance para futuras referencias. Este manual del propietario abreviado aborda la seguridad del usuario, las precauciones y la información de instalación.

Para ver el manual del propietario completo, puede

1. Manual en línea: visite el sitio web de LG en: <http://gscs-manual.lge.com/Total/HQ/GatewayPage/main.html> o escanee el código QR que se encuentra en la parte superior; o
2. Manual en PDF imprimible: Visite lg.com y busque su número de modelo; o
3. Llame o escriba al servicio de atención al cliente según lo dispuesto en su Garantía limitada.

ESPAÑOL

WT6105C*

www.lg.com

Copyright © 2022 LG Electronics Inc. Todos los derechos reservados

2

ÍNDICE

3 INSTRUCCIONES IMPORTANTES DE SEGURIDAD

- 3 LEA TODAS LAS INSTRUCCIONES ANTES DE UTILIZAR
- 3 MENSAJES DE ADVERTENCIA
- 7 MENSAJES DE PRECAUCIÓN

8 DESCRIPCIÓN GENERAL DEL PRODUCTO

- 8 Características del producto

10 INSTALACIÓN

- 10 Antes de la instalación
- 11 Elección de la ubicación adecuada
- 12 Desempaque y retiro del material de transporte
- 13 Conexión de las mangueras de entrada de agua
- 14 Conexión de la manguera de desagüe
- 15 Nivelación de la lavadora
- 16 Revisión final de la instalación

18 FUNCIONAMIENTO

- 18 Antes de utilizarlo
- 18 Clasificación de prendas
- 20 Carga de la lavadora

22 FUNCIONES INTELIGENTES

- 22 Aplicación LG ThinQ
- 22 Función Smart Diagnosis™ (Diagnóstico Inteligente)

23 MANTENIMIENTO

- 23 Limpieza regular
- 23 Mantenimiento periódico
- 26 Cuidado en climas fríos

28 SOLUCIÓN DE PROBLEMAS

- 28 Antes de llamar al servicio técnico

36 GARANTÍA LIMITADA

- 36 EE. UU.

INSTRUCCIONES IMPORTANTES DE SEGURIDAD

LEA TODAS LAS INSTRUCCIONES ANTES DE UTILIZAR

ESPAÑOL

Mensajes de seguridad

Su seguridad y la de los demás son muy importantes.

Tanto en este manual como en el equipo, hemos proporcionado muchos mensajes de seguridad importantes. Siempre debe leer y respetar todos los mensajes de seguridad.



Este es el símbolo de alerta de seguridad.

Este símbolo le advierte sobre posibles riesgos que pueden ocasionar lesiones o la muerte a usted o a otros. El símbolo de alerta de seguridad siempre estará acompañado de las palabras "ADVERTENCIA" o "PRECAUCIÓN" y seguido de un mensaje de seguridad importante.

Estos términos significan lo siguiente:



ADVERTENCIA

El incumplimiento de las instrucciones podría causarle la muerte o lesiones graves.



PRECAUCIÓN

El incumplimiento de las instrucciones podría causarle lesiones o daños al producto.

Todos los mensajes de seguridad le indicarán cuáles son los peligros potenciales, cómo reducir la posibilidad de lesiones y qué podría suceder si no sigue las instrucciones.

MENSAJES DE ADVERTENCIA

ADVERTENCIA

- Para disminuir el riesgo de explosiones, incendios, descargas eléctricas, quemaduras, lesiones o muerte para las personas que usen este artefacto, siga las precauciones básicas, incluidas las siguientes:

Instalación

- Cumpla con todos los procedimientos de seguridad del sector recomendados, incluido el uso de guantes de manga larga y gafas de seguridad.
- Nunca intente operar este artefacto si se encuentra dañado, si no funciona correctamente, si no está ensamblado por completo o si tiene piezas faltantes o rotas, incluido un cable o enchufe dañado.
- Antes de ser utilizado, este artefacto debe ser correctamente instalado, conforme a lo descrito en este manual.
- Para reducir el riesgo de lesiones graves o muerte, siga todas las instrucciones de instalación.
- Consulte las INSTRUCCIONES DE INSTALACIÓN para obtener información detallada sobre los procedimientos de conexión a tierra. Las instrucciones de instalación se suministran junto con el artefacto para ser consultadas por el instalador. Si el artefacto se traslada a una nueva ubicación, asegúrese de que lo revise y lo vuelva a instalar personal de servicio calificado.
- El traslado o la instalación del artefacto requieren de dos o más personas.
- No instale el artefacto en lugares húmedos.
- Almacene e instale el artefacto donde no esté expuesto a temperaturas bajo cero ni a la intemperie.
- Este artefacto no ha sido diseñado para ser usado en embarcaciones o instalaciones móviles, tales como casas rodantes, remolques o aeronaves.

4 INSTRUCCIONES IMPORTANTES DE SEGURIDAD

- Se recomienda encarecidamente no utilizar un depósito de drenaje al instalar este aparato, porque el agua estancada en dicho depósito puede aumentar el riesgo de que se produzcan descargas eléctricas, lesiones o incluso la muerte.
- Mantenga los materiales de empaque fuera del alcance de los niños. Los materiales de empaque pueden ser peligrosos para los niños. Corren riesgo de asfixia.
- Destruya el cartón, la bolsa de plástico y los demás materiales de empaque luego de Desempaque el artefacto. Estos materiales podrían utilizarlos los niños para jugar. Las cajas de cartón cubiertas con tapetes, colchas o láminas plásticas pueden convertirse en cámaras herméticas.
- El artefacto debe ser instalado y conectado a tierra por personal de servicio calificado, de acuerdo con los códigos locales.
- Cuando traslade o instale el aparato, tenga especial cuidado en no apretar, aplastar o dañar el cable de alimentación.
- Debe conectarse a un circuito de alimentación de clasificación y tamaño adecuados y debidamente protegido para evitar la sobrecarga eléctrica.
- Debe posicionar este artefacto cerca de una fuente de suministro eléctrico.
- Desconecte el cable de alimentación, el fusible del hogar o el interruptor de corriente antes de instalar o reparar el artefacto.
- El cable de alimentación de este aparato está equipado con un enchufe de 3 clavijas (conexión a tierra) que se conecta con un tomacorriente estándar de 3 clavijas (tierra) para minimizar la posibilidad de descarga eléctrica de este aparato.
- Por ninguna razón debe cortar o quitar la tercera clavija (tierra) del cable de alimentación.
- Use mangueras nuevas cuando conecte el aparato al suministro de agua. No reutilice mangueras viejas.

FUNCIONAMIENTO

- Lea todas las instrucciones antes de usar el artefacto y consérvelas.
- Use el artefacto únicamente para el fin previsto.
- Las prendas o los artículos impermeables o resistentes al agua deben lavarse solamente en el ciclo Impermeables. (Los ejemplos incluyen: prendas resistentes al agua, fundas para colchones, ropa para exteriores, tapetes plásticos, etc.). ADVERTENCIA: El incumplimiento de estas instrucciones podría causar una vibración anormal y una condición de desequilibrio que podría provocar lesiones, daños a la propiedad o daños al artefacto.
- Si el producto ha estado sumergido en el agua, en agua estancada o en un área anegada, no entre en contacto con el producto y comuníquese de inmediato con un Centro de información al cliente de LG Electronics para recibir instrucciones antes de reanudar el uso.
- Si detecta un sonido extraño, olor a quemado o a químico, o humo provenientes del artefacto, desconéctelo de inmediato y contáctese con un Centro de Información al Cliente de LG Electronics.
- Bajo ciertas condiciones, podría producirse gas hidrógeno en un sistema de agua caliente que no ha sido utilizado por dos semanas o más. EL GAS HIDRÓGENO ES EXPLOSIVO. Si el sistema de agua caliente no se ha usado durante ese período de tiempo, abra todas las llaves de agua caliente y deje que fluya varios minutos antes de usar el artefacto. Esto eliminará el gas hidrógeno acumulado. Dado que el gas hidrógeno es inflamable, no fume ni use ninguna llama abierta durante este proceso.
- No introduzca las manos en la lavadora si la cuba, el tambor, el agitador o cualquier pieza interior del artefacto se encuentra en movimiento. Antes de cargar, descargar o agregar artículos, presione **Inicio/Pausa** y espere que la cuba o el tambor se detengan por completo antes de introducir las manos en el interior.
- Este artefacto no ha sido diseñado para ser utilizado por personas con capacidades físicas, sensoriales o mentales disminuidas (incluidos niños) o que no cuenten con la experiencia o los conocimientos necesarios para operarlo, salvo que una persona responsable de su seguridad les brinde la supervisión o la instrucción pertinente en cuanto al uso del artefacto.
- No permita que niños o mascotas jueguen con el electrodoméstico, sobre o dentro de éste. Es necesaria la supervisión cuando el electrodoméstico es utilizado cerca de niños o mascotas.

- Mantenga los productos de lavandería lejos del alcance de los niños. Para evitar lesiones a las personas, preste atención a todas las advertencias que figuran en las etiquetas de los productos.
- Repare o reemplace de inmediato todos los cables de alimentación deshilachados o dañados de otra forma. No use un cable que exhiba roturas o abrasión en su longitud o en sus extremos.
- Nunca desconecte el artefacto tirando del cable de alimentación. Sujete siempre con firmeza el enchufe y tire derecho para extraerlo del tomacorriente.
- No use un cable de extensión ni un adaptador con este artefacto.
- No sujete el cable de alimentación ni toque los controles del artefacto con las manos húmedas.
- No modifique ni extienda el cable de alimentación.
- Si se daña el cable de electricidad, solo el fabricante está autorizado para reemplazarlo, o bien su agente de servicio técnico o una persona de calificación similar para prevenir riesgos.
- No coloque prendas aceitosas o grasosas, candelas o materiales inflamables encima del artefacto.
- Mantenga el área debajo de los artefactos y sus alrededores libre de materiales combustibles (pelusa, papel, trapos, etc.), gasolina, productos químicos y otros vapores o líquidos inflamables.
- No almacene ni use gasolina u otros líquidos o vapores inflamables cerca de este artefacto ni de ningún otro.
- No mezcle cloro con amoníaco o ácidos, como por ejemplo, vinagre. Siga las instrucciones del envase cuando utilice productos de lavandería. Su uso incorrecto puede producir gases venenosos, los cuales pueden ocasionar lesiones graves o la muerte.
- Nunca utilice productos químicos agresivos, limpiadores abrasivos ni solventes para limpiar la lavadora. Estos productos arruinarán el acabado.
- No lave prendas que hayan sido previamente limpiadas, lavadas o manchadas con gasolina, solventes de limpieza en seco, aceite vegetal o de cocina u otras sustancias inflamables o explosivas, ni prendas a las cuales se haya sumergido en estos productos, ya que los mismos emiten vapores que pueden inflamarse o explotar.
- No agregue gasolina, solventes de limpieza en seco ni otras sustancias explosivas o inflamables al agua del lavado. Estas sustancias emiten vapores que pueden inflamarse o explotar.
- En el caso de que se produzca una fuga de gas (gas propano, gas licuado de petróleo, etc.), no ponga en funcionamiento este artefacto ni ningún otro. Abra una puerta o una ventana para ventilar el área de inmediato.
- No utilice indebidamente los controles.
- Asegure la manguera de drenaje de forma segura en su lugar a manera de evitar inundaciones.
- No maltrate la tapa del aparato, no se siente ni se pare sobre ella.
- Al cerrar la tapa, mantenga sus manos y objetos extraños lejos del área de la tapa y del picaporte.
- Verifique siempre el interior del electrodoméstico para detectar objetos extraños.

Mantenimiento

- No repare ni reemplace ninguna parte del electrodoméstico. Todas las reparaciones deben ser realizadas por personal de servicio calificado a menos que se recomiende específicamente en este manual del propietario. Utilice sólo piezas de fábrica autorizadas.
- Desconecte el artefacto del suministro eléctrico antes de limpiarlo o de realizar cualquier tipo de mantenimiento que pueda realizar el usuario. Colocar los controles en la posición de apagado no desconecta el artefacto del suministro eléctrico.
- Quite el polvo o los materiales extraños de las clavijas del enchufe de alimentación.
- No desarme ni repare el artefacto por su cuenta.
- Remueva la tapa previo a que el electrodoméstico sea retirado para servicio o eliminación a manera de evitar que niños o animales pequeños queden atrapados dentro.
- Asegúrese de que la tapa o el cajón del dispensador se encuentren siempre cerrados cuando no se les estén colocando productos de lavandería.

6 INSTRUCCIONES IMPORTANTES DE SEGURIDAD

Instrucciones de conexión a tierra

- La conexión inadecuada del conductor de conexión a tierra puede resultar en riesgo de choque eléctrico. Pregunte a un electricista calificado o al personal de servicio si no está seguro si el artefacto está adecuadamente conectado a tierra. No modifique el enchufe que viene con el artefacto. Si no cabe en el contacto, pida que un electricista calificado instale un contacto apropiado.
- El artefacto debe estar conectado a tierra. En caso de funcionamiento defectuoso o avería, la conexión a tierra reduce el riesgo de choque eléctrico al establecer una ruta de menor resistencia para la corriente eléctrica. El artefacto viene equipado con un cable eléctrico que tiene un conductor para conexión a tierra y un enchufe con conexión a tierra. El enchufe debe ser conectado a un contacto apropiado que esté instalado y conectado a tierra de acuerdo con todos los códigos y ordenanzas locales.

MENSAJES DE PRECAUCIÓN

PRECAUCIÓN

- Para reducir el riesgo de lesiones leves o moderadas a personas, el mal funcionamiento o daño al producto o propiedad cuando use este producto, siga las precauciones básicas, incluidas las siguientes:

Instalación

- Instale el producto sobre un piso firme y nivelado.

FUNCIONAMIENTO

- No coloque ningún objeto encima del artefacto.
- Cierre las llaves de agua y desconecte el artefacto si este no será usado por un periodo de tiempo prolongado, por ejemplo, durante las vacaciones.
- SIEMPRE siga las instrucciones para cuidado de los tejidos suministradas por el fabricante.
- Use suavizantes o productos para eliminar la electricidad estática solamente según las recomendaciones del fabricante.
- No combine productos de lavandería en una misma carga, a menos que este uso se especifique en la etiqueta.
- No toque el agua de desagüe, ya que podría estar caliente.
- Si las mangueras de drenaje y de entrada de agua se congelan en invierno, descongélelas antes de utilizar el electrodoméstico.
- No almacene ni vierta limpiadores, blanqueadores (blanqueador con cloro, blanqueador oxigenado, etc.) ni detergentes líquidos encima del artefacto. Si lo hace, podría ocasionar corrosión, decoloración o daño de la superficie del artefacto.

GUARDE ESTAS INSTRUCCIONES

8 DESCRIPCIÓN GENERAL DEL PRODUCTO

DESCRIPCIÓN GENERAL DEL PRODUCTO

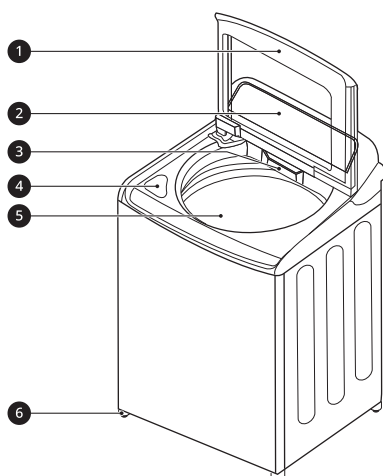
Características del producto

Las ilustraciones en esta guía pueden diferir de los componentes y accesorios reales, los cuales están sujetos a cambios sin previo aviso por parte del fabricante a fin de introducir mejoras en el producto.

NOTA

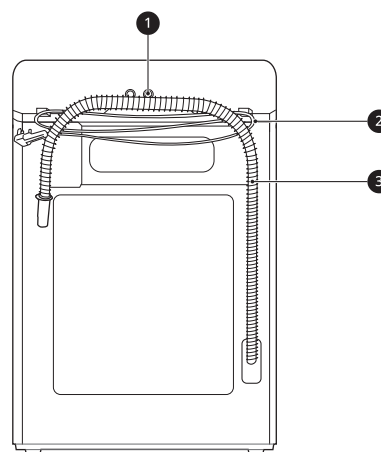
- Para su seguridad y para prolongar la vida útil del producto, use solo componentes autorizados. El fabricante no se hace responsable del mal funcionamiento del producto, los daños a la propiedad o las lesiones corporales causadas por el uso de componentes, partes o productos no autorizados adquiridos por separado.

Vista frontal



- ❶ Tapa
- ❷ Panel de control
- ❸ Bandeja dispensadora de detergente
- ❹ Compartimiento de blanqueador líquido
- ❺ Tina
- ❻ Patas de nivelación

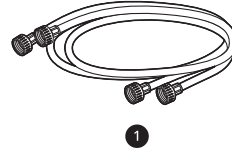
Vista trasera



- ❶ Entradas de Agua
- ❷ Cable de Alimentación
- ❸ Manguera de drenaje

Accesorios**Accesorios incluidos**

❶ Correa

Accesorios requeridos (se vende por separado)

❶ Mangueras de agua caliente y fría

ESPAÑOL

Especificaciones del producto

La apariencia y las especificaciones detalladas en este manual podrían variar debido a mejoras constantes en el producto.

| Modelo | WT6105C* |
|---|--|
| Requisitos eléctricos | 120 V CA, 60 Hz |
| Presión de agua mín./máx. | 20 - 120 psi (138 - 827 kPa) |
| Dimensiones (Ancho X Profundidad X Altura) | 27" X 28 3/8" X 44 1/2" (68.6 cm X 72.1 cm X 113 cm) |
| Altura máxima con la tapa abierta | 57 1/4" (145.3 cm) |
| Peso neto | 116.9 lb (53 kg) |
| Velocidad máx. de centrifugado | 800 RPM (± 50) |

10 INSTALACIÓN

INSTALACIÓN

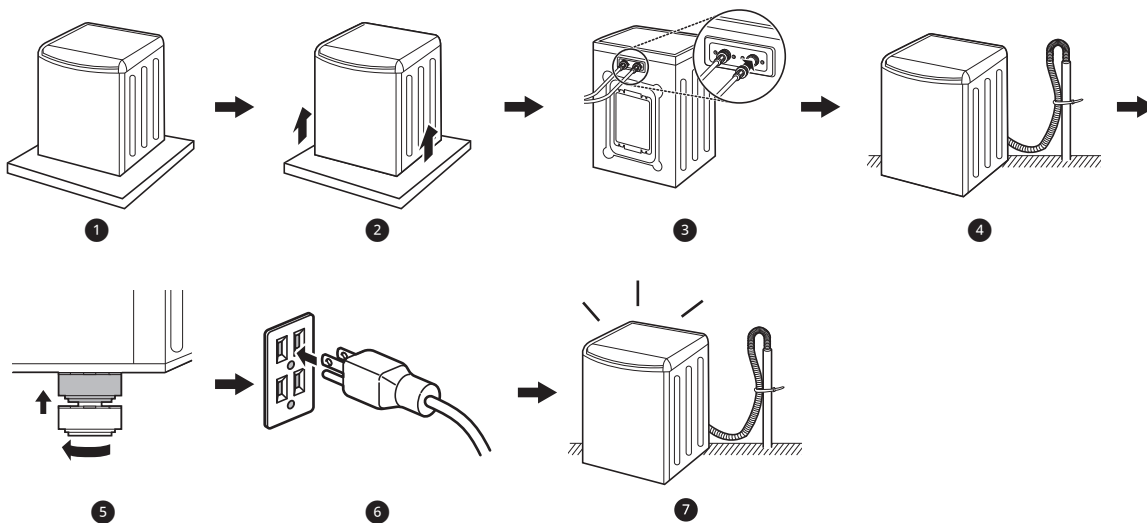
Antes de la instalación

⚠ ADVERTENCIA

- El traslado o la instalación del artefacto requieren de dos o más personas. El incumplimiento de estas instrucciones podría causar lesiones.
- Almacene e instale el artefacto donde no esté expuesto a temperaturas bajo cero ni a la intemperie. El incumplimiento de esta advertencia puede causar daños al producto o las piezas, lesiones graves, incendios, descargas eléctricas o la muerte.
- Conecte la lavadora a tierra adecuadamente, de acuerdo con todos los códigos y las ordenanzas vigentes. El incumplimiento de esta advertencia puede causar lesiones graves, incendios, descargas eléctricas o la muerte.
- Para reducir el riesgo de descargas eléctricas, no instale el artefacto en sitios húmedos. El incumplimiento de esta advertencia puede causar lesiones graves, incendios, descargas eléctricas o la muerte.
- Para garantizar una circulación de aire adecuada, no bloquee la abertura grande que se encuentra en la parte inferior de la lavadora con tapetes u otros materiales.
- No retire la clavija de conexión a tierra del cable de alimentación. No utilice un adaptador ni un cable de extensión. Conecte a un tomacorriente de 3 clavijas con conexión a tierra. El incumplimiento de esta advertencia puede causar lesiones graves, incendios, descargas eléctricas o la muerte.
- Intencionalmente, algunas piezas internas no tienen conexión a tierra y pueden presentar un riesgo de descarga eléctrica solo durante la reparación. Personal de reparación – no toque las siguientes piezas cuando el aparato esté recibiendo energía: bomba, motor, cubierta de filtro de ruido, cubierta protectora y calentador (en modelos aplicables).

Descripción general de la instalación

Lea las siguientes instrucciones de instalación inmediatamente después de adquirir esta lavadora o transportarla a otra ubicación.



- 1 Elección de la ubicación adecuada
- 2 Desempaque y retiro del material de transporte
- 3 Conexión de las mangueras de entrada de agua

- 4 Conexión de la manguera de desagüe
- 5 Nivelación de la lavadora
- 6 Conexión al suministro eléctrico
- 7 Revisión final de la instalación

Herramientas necesarias



- 1 Pinzas
- 2 Destornillador de hoja plana
- 3 Nivel

Elección de la ubicación adecuada

Revise los siguientes requisitos para la ubicación de instalación antes de instalar la lavadora.

- Permita que quede espacio suficiente entre los muros y la lavadora para su instalación.
- Asegúrese de que el piso esté limpio, seco y libre de polvo, suciedad, agua y aceite, para que las patas de nivelación no se deslicen fácilmente. Las patas de nivelación que se muevan o deslicen por el piso podrían contribuir a un exceso de vibración y ruido.
- Si el piso es demasiado flexible, refuércelo para volverlo más rígido. Si el piso no es sólido, se podrían generar vibraciones y ruidos intensos.

Tomacorriente

El tomacorriente debe estar ubicado dentro de un perímetro de **60 pulgadas (1.5 m)** de cualquiera de los lados de la lavadora.

- Coloque la lavadora de manera que se pueda acceder fácilmente al tomacorriente y el enchufe.
- No sobrecargue el tomacorriente conectándole más de un artefacto.
- El tomacorriente debe estar conectado a tierra según las regulaciones y los códigos de cableado eléctrico vigentes.
- Utilice un interruptor de circuito o un fusible de acción retardada.
- Es responsabilidad y obligación personal del propietario de la lavadora contar con un

tomacorriente adecuado que haya sido instalado por personal de servicio calificado.

Suelo

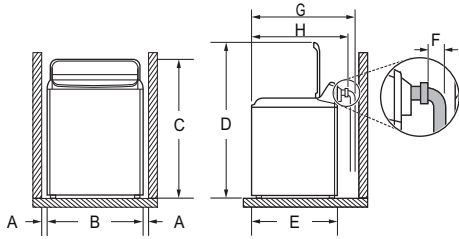
- Para minimizar ruidos y vibraciones, instale la lavadora en un piso sólidamente construido y a nivel, que pueda brindar soporte a la lavadora sin hundirse ni rebotar.
- La lavadora debe instalarse en un suelo firme para minimizar la vibración que se produce durante el centrifugado. Los pisos de concreto son los más indicados, pero un piso de madera es suficiente, siempre y cuando esté construido conforme a las normas de la FHA.
- El piso debajo de la lavadora no debe tener una pendiente de más de **1 pulgada (2.5 cm)** de lado a lado o de adelante hacia atrás.
- No se recomienda su instalación en superficies cubiertas por alfombras o baldosas blandas.
- Nunca instale la lavadora sobre una plataforma ni sobre una estructura de soporte débil.

Instalación en el piso

Para garantizar el espacio suficiente para las mangueras de entrada de agua y desagüe, y para la circulación de aire, deje un espacio de, al menos, **1 pulgada (2.5 cm)** a cada lado y **4 pulgadas (10 cm)** detrás de la lavadora. Asegúrese de tener en cuenta las molduras de pisos, puertas o muros que podrían aumentar los espacios necesarios.

12 INSTALACIÓN

El espacio vertical mínimo del piso a los estantes superiores, gabinetes, techos, etc., es de **58 pulgadas (147 cm)**.



| Dimensiones y espacios | |
|------------------------|--------------------|
| A | 1" (2.5 cm) |
| B | 27" (68.6 cm) |
| C | 44 1/2" (113 cm) |
| D | 57 1/4" (145.3 cm) |
| E | 26 3/4" (68 cm) |
| F | 3 1/2" (9 cm) |
| G | 32" (81.1 cm) |
| H | 28 3/8" (72.1 cm) |

Desempaque y retiro del material de transporte

Retire todo el material de transporte de la lavadora para su adecuada operación y verifique que no haya daños provocados durante el envío.

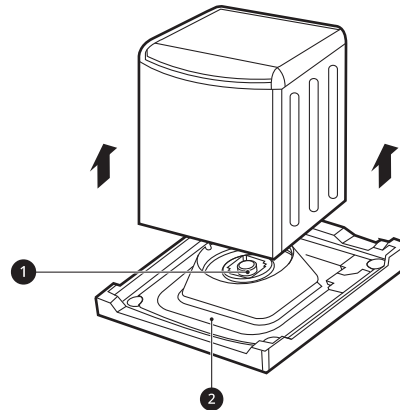
⚠ PRECAUCIÓN

- No remover el material de transporte podría causar ruido y vibración excesiva.

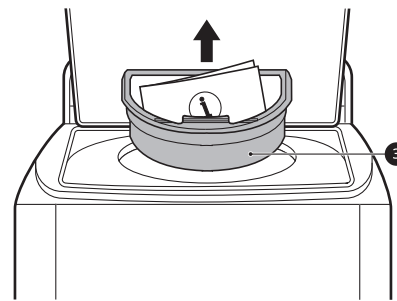
Desempaque del material de transporte

- 1 Levante la lavadora para quitarla de la base de espuma.
 - Luego de quitar el cartón y el material de transporte, levante la lavadora de la base de espuma.
 - Asegúrese de quitar el soporte plástico de la tina ① junto con la base y que no quede atascado en la parte inferior de la lavadora.
 - Si debe recostar la lavadora para retirar la base de cartón ②, siempre proteja sus lados y recuéstela con cuidado sobre un

costado. No apoye la lavadora sobre su parte posterior o frontal.



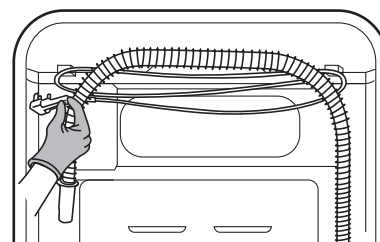
- 2 Quite el inserto de espuma de la tina.
 - Para evitar daños, no quite de la tina el inserto ③ de espuma hasta que la lavadora se encuentre en su ubicación final.



NOTA

- Una vez removido, guarde el inserto de espuma para su futuro uso. Si necesitara mover la lavadora, el inserto de espuma lo ayudaría a prevenir daños durante el transporte.

- 3 Desabroche el cable de alimentación.
 - Desabroche el cable de alimentación de la parte trasera de la lavadora.



Conexión de las mangueras de entrada de agua

Para evitar costosos daños relacionados a las líneas de agua, compre e instale mangueras de entrada nuevas al momento de instalar la lavadora.

⚠ ADVERTENCIA

- No apriete extremadamente ni cruce los conectores de las mangueras. Al apretar en extremo o cruzar los conectores se pueden dañar las válvulas o los acoplamientos y esto podría resultar en fugas y daños a la propiedad.
- No reutilice mangueras viejas. Utilice únicamente nuevas mangueras al instalar la lavadora. Las mangueras viejas podrían tener fugas o estallar causando una inundación y daño a la propiedad. Contacte al Centro de Información al Cliente de LG para asistencia en la compra de mangueras.

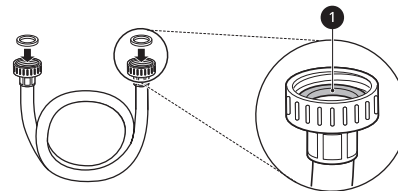
NOTA

- Revise periódicamente las mangueras para detectar rajaduras, fugas y desgaste, y reemplácelas cada cinco años.
- No estire intencionalmente las mangueras de agua y asegúrese de que no estén apretadas, aplastadas ni plegadas por otros objetos.
- La presión del suministro de agua debe ser de entre **20 psi** y **120 psi (138 - 827 kPa)**. Si la presión del suministro de agua es mayor que **120 psi**, se debe instalar una válvula reductora.
- El calentador de agua caliente se debe ajustar para que suministre agua a una temperatura de **120 - 135°F (48 - 57°C)** a fin de controlar las temperaturas de lavado de manera correcta.
- No almacene ni instale la lavadora en un sitio sujeto a temperaturas de congelamiento. Esto puede provocar daños a las mangueras de entrada de agua y a los mecanismos internos de la lavadora. Si esta estuvo expuesta a temperaturas de congelamiento antes de su instalación, déjela a temperatura ambiente durante varias horas antes de utilizarla y compruebe que no presente fugas antes de ponerla en funcionamiento.
- No utilice mangueras de prevención de inundaciones con dispositivos de cierre automático. Estos podrían activarse durante el llenado y evitar que se llene apropiadamente la lavadora.

Cómo conectar las mangueras de entrada de agua

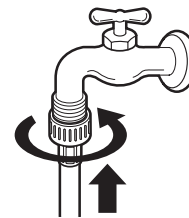
1 Verifique los conectores y los sellos.

- Inspeccione el conector roscado de cada manguera y asegúrese de que cada una cuente con un sello de goma **1** colocado en cada extremo para evitar fugas.



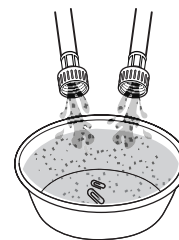
2 Conecte las mangueras de suministro de agua.

- Conecte las mangueras de suministro de agua a las llaves de paso de agua caliente y fría y apriete las conexiones manualmente y luego utilice unas pinzas para apretarlas otros 2/3 de vuelta.
- Conecte la manguera azul a la llave de agua fría y la manguera roja a la llave de agua caliente.



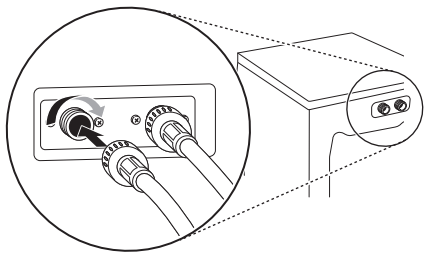
3 Una vez que las mangueras estén conectadas, abra las llaves de agua y enjuague toda sustancia extraña, como suciedad, arena y aserrín.

- Drene el agua en una cubeta y verifique la temperatura del agua a fin de asegurarse de haber conectado las mangueras a las llaves de paso correctas.



14 INSTALACIÓN

- 4** Fije las mangueras de entrada a la parte posterior de la lavadora.
- Fije la manguera de entrada de agua caliente a la entrada de agua caliente de la parte posterior de la lavadora. Fije la manguera de entrada de agua fría a la entrada de agua fría de la parte posterior de la lavadora.
 - Ajuste los conectores para asegurarlos bien. Abra por completo ambas llaves y verifique que no existan fugas en los dos extremos de las mangueras.



Conexión de la manguera de desagüe

La manguera de drenaje puede ser instalada utilizando un tubo independiente o un lavabo.

⚠ ADVERTENCIA

- La manguera de desagüe siempre debe estar conectada adecuadamente. Si la conexión de la manguera de desagüe no se encuentra bien asegurada, podrían producirse inundaciones y daños a la propiedad.

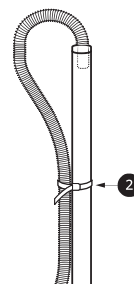
NOTA

- El desagüe debe estar instalado según las regulaciones y los códigos locales vigentes.
- Asegúrese de que la manguera de desagüe no se encuentre estirada, pellizcada, aplastada ni plegada.
- El extremo de la manguera de drenaje debe estar ubicado un mínimo de **29.5" (75 cm)** y un máximo de **96" (244 cm)** por encima de la parte inferior de la lavadora.
- Para obtener mejores resultados, ubique el extremo de la manguera de drenaje a no más de **66" (168 cm)** por encima de la parte inferior de la lavadora. A medida que la salida de drenaje se eleva más de **66" (168 cm)**, la función de drenaje se verá cada vez más afectada.
- Nunca genere un sello hermético entre la manguera y el desagüe utilizando cinta u otros medios. Si no existe una trampa de aire, se

puede producir un sifón y el agua puede ser bombeada desde la cuba, lo que provocará que el desempeño de lavado o enjuague sea deficiente o que las prendas se dañen.

Uso de un tubo independiente para drenaje

- 1 Inserte el extremo de la manguera de desagüe en el tubo independiente.
- 2 Utilice la correa proporcionada **1** para fijar la manguera de desagüe en su lugar.



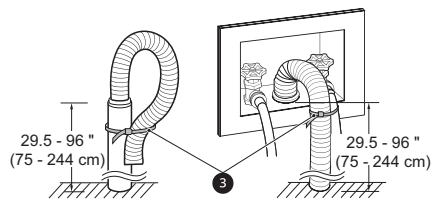
- 3 Si las válvulas de agua y de drenaje están integradas a la pared, ajuste la manguera de desagüe a unas de las mangueras de agua con la correa proporcionada **2** (lado acanalado hacia dentro).

⚠ PRECAUCIÓN

- No introduzca el extremo de la manguera de drenaje al tubo vertical más de **8 pulgadas (20 cm)**. Hacerlo podría causar sifoneo, malos olores, o drenaje inapropiado.

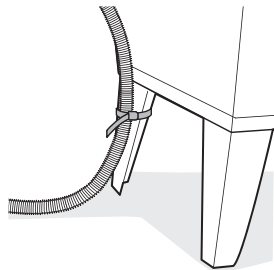
NOTA

- Si el drenaje es lo suficientemente grande para que la brida de la manguera quepa dentro de él, no introduzca la brida más de 1 o 2 pulgadas.

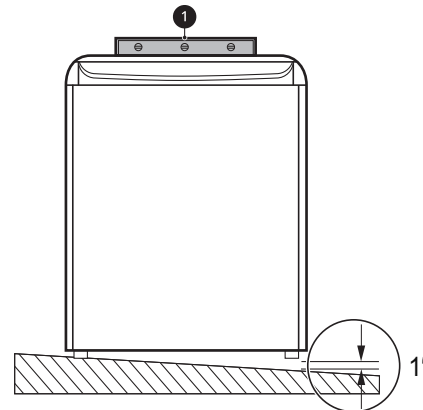


Utilización de un lavabo para el drenaje

- 1 Cuelgue el extremo de la manguera de desagüe sobre el borde del lavabo.
- 2 Utilice la correa proporcionada para asegurar la manguera de desagüe en su lugar.



1 pulg., y los 4 patas de nivelación deben estar firmemente apoyadas en el suelo.



Nivelación de la lavadora

La tina de la lavadora gira a velocidades muy altas. Para minimizar el ruido, la vibración y los movimientos no deseados, la lavadora debe ser instalada en una superficie sólida y nivelada.

⚠ PRECAUCIÓN

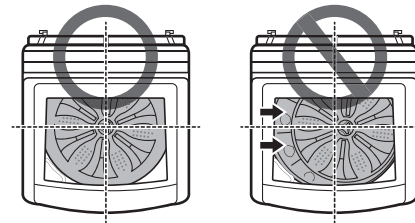
- Si se utiliza la lavadora sin nivelarla, se pueden producir excesos de vibración y ruido y causar problemas en su funcionamiento.
- Ajuste las patas de nivelación solo en la medida necesaria para nivelar la lavadora. Si las patas de nivelación tienen más altura de la necesaria, se pueden producir vibraciones.

NOTA

- Antes de instalar la lavadora, asegúrese de que el piso esté limpio, seco y libre de polvo, suciedad, agua y aceite, para que las patas de la lavadora no se deslicen fácilmente. Las patas que se muevan o deslicen por el piso podrían provocar un exceso de vibración y ruido.

- 2 Abra la tapa y vea desde arriba, para verificar que la tina esté centrada.

- Si la tina no está centrada, reajuste las patas frontales. Si tiene un nivel, verifique la lavadora con él.

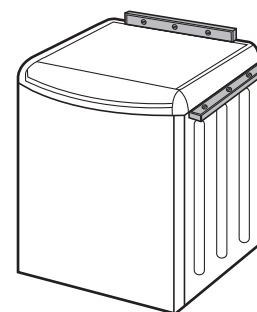


NOTA

- Para verificar que la lavadora esté nivelada de lado a lado, coloque un nivel en el borde trasero de la tapa.
- Para verificar que la lavadora esté nivelada del frente hacia atrás, coloque un nivel en el borde donde el lado del gabinete alcanza la cubierta superior. No coloque el nivel en la superficie de la tapa. El uso de estas superficies podría provocar el desnivelado de la lavadora.

Nivelación de la lavadora

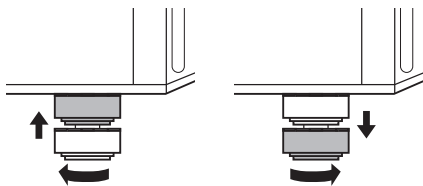
- 1 Coloque la lavadora en su ubicación final.
 - Tenga especial cuidado en no pellizcar, estirar o aplastar las mangueras de suministro de agua y drenaje. Si tiene un nivel de carpintero 1, puede usarlo para comprobar que la lavadora esté nivelada. La pendiente bajo la lavadora no debe superar



16 INSTALACIÓN

3 Ajuste las patas de nivelación.

- Gire las 4 patas de nivelación en una dirección para subir la lavadora y en la otra dirección para bajarla.



4 Vuelva a comprobar la nivelación de la lavadora.

- Empuje o mueva suavemente los bordes superiores de la lavadora, para asegurarse de que esta no se balancee. Si la lavadora se balancea, reajuste las patas de nivelación.
- Si la tapa no queda abierta de forma apropiada, extienda las patas de nivelación frontales hasta que la lavadora esté nivelada de adelante hacia atrás.

Revisión final de la instalación

Conexión al suministro eléctrico

Enchufe la lavadora en un tomacorriente de 120 V CA, 60 Hz, de 3 clavijas con conexión a tierra.

⚠ ADVERTENCIA

- No utilice cables o enchufes de alimentación gastados o dañados. Remplácelos o repárelos de inmediato. No hacerlo podría provocar un accidente mortal, un incendio, descarga eléctrica o problemas en el funcionamiento del aparato.
- No modifique el enchufe y el cable de alimentación proporcionados con el artefacto. No los dañe cuando instale o traslade la lavadora. Si se producen daños, puede provocar muerte, incendios, descargas eléctricas o mal funcionamiento del artefacto.
- Asegúrese de que el artefacto esté conectado a tierra.
- Conecte este artefacto a un tomacorriente con conexión a tierra acorde a su clasificación antes del uso. No hacerlo podría provocar un incendio, descarga eléctrica o problemas en el funcionamiento del aparato.
- No dañe ni corte la clavija de conexión a tierra del cable de alimentación. Si lo hace podría provocar un accidente mortal, un incendio,

descarga eléctrica o problemas en el funcionamiento del aparato.

- La conexión inadecuada del conductor de conexión a tierra puede resultar en riesgo de choque eléctrico. Pregunte a un electricista calificado o a un técnico de servicio si no está seguro si el artefacto está adecuadamente conectado a tierra. Si el enchufe no entra en el tomacorriente, un electricista calificado debe instalarle una toma eléctrica apropiada.
- El artefacto y el tomacorriente deben estar ubicados de manera tal que se pueda acceder al enchufe fácilmente.
- No utilice un adaptador ni cables de extensión. De lo contrario, esto podría provocar lesiones graves, un incendio, una descarga eléctrica o la muerte.
- Para un mejor rendimiento, conecte el aparato en una toma de corriente individual exclusiva. Esto ayuda a evitar la sobrecarga de los circuitos eléctricos de la casa, lo que podría causar un peligro de incendio por sobrecalentamiento de los cables.
- Si fuera necesario, utilice un enchufe de 3 clavijas (conexión a tierra), nuevo y homologado por UL, con una clasificación no menor a la del circuito derivado. No utilice un cable de extensión de una longitud mayor a 3 pies. El incumplimiento de estas advertencias puede resultar en lesiones graves, incendios, descargas eléctricas o la muerte.

Prueba de la lavadora

Verifique que la lavadora esté correctamente instalada y ejecute un ciclo de prueba.

- 1 Asegúrese de que la tina esté vacía. No cargue nada en la tina para esta prueba. Asegúrese de que las llaves de paso del agua para la lavadora estén completamente abiertas.
- 2 Presione el botón de **Encendido/Apagado**.
- 3 Mantenga presionado los botones **Temp. (Temperatura)** y **Water/Rinse (Agua/Enjuague)** al mismo tiempo hasta que se enciendan todos los indicadores LED del estado del ciclo (**Wash (Lavado)/Rinse (Enjuague)/Spin (Centrifugado)**).

- 4** Presione el botón de **Inicio/Pausa**.
- La prueba se ejecutará durante unos 3 minutos.
 - La prueba revisa automáticamente las mangueras de entrada de agua y la manguera de drenaje.
- 5** Verifique los indicadores LED **Wash (Lavado)**, **Rinse (Enjuague)** y **Spin (Centrifugado)** para ver los resultados.
- Todos los indicadores LED están apagados: los resultados de la prueba inicial son normales.
 - Todos los indicadores LED están encendidos: los resultados de la prueba anterior eran normales.
 - Los indicadores LED destellan: los resultados de la prueba anterior dieron error.
- 6** Al finalizar el ciclo de prueba, la lavadora se apagará automáticamente luego de una pequeña pausa.

Error de la verificación de instalación

Refiérase a la tabla que se encuentra a continuación antes de llamar al servicio técnico.

| Código de error | Solución |
|---|--|
| El indicador LED Warm (Tibia) destella | <ul style="list-style-type: none"> • Abra por completo la llave de agua. • Enderece cualquier retorcimiento en las mangueras de entrada y asegúrese de que estas no estén apretadas contra la pared o debajo de la lavadora. |
| El indicador LED Cold (Fría) destella | <ul style="list-style-type: none"> • Enderece cualquier retorcimiento en la manguera de drenaje y asegúrese de que estas no estén apretadas contra la pared o debajo de la lavadora. • Retire y enjuague la manguera de drenaje para quitar las obstrucciones. • Ajuste o repare el drenaje. La altura máxima del drenaje es de 96 pulgadas. La altura recomendada del drenaje es entre 29.5 y 66 pulgadas. |

18 FUNCIONAMIENTO

FUNCIONAMIENTO

Antes de utilizarlo

⚠ ADVERTENCIA

- Para reducir el riesgo de incendios, descargas eléctricas o lesiones a las personas, lea las **INSTRUCCIONES DE SEGURIDAD** antes de operar este artefacto.

Funcionamiento general

1 Clasificación y carga de la lavadora.

- Clasifique sus prendas a lavar por tipo de tela, nivel de suciedad, color y tamaño de la carga. Abra la tapa y cargue los artículos en la lavadora.
- Si utiliza paquetes de detergente de un solo uso, o detergentes en gel o en tabletas, colóquelos en el tambor antes de añadir sus prendas.

2 Agregue productos de limpieza.

- Añada la cantidad apropiada de detergente de alta eficiencia (HE) al dispensador de detergente.
- Si así lo desea, añada blanqueador o suavizante en los dispensadores correspondientes.
- No coloque paquetes de detergente líquido o en polvo, o detergentes en tabletas o en gel en el dispensador.

3 Encendido de la lavadora.

- Presione el botón de **Encendido/Apagado** para encender la lavadora.
- Las luces arriba de los botones de los ciclos se iluminarán y sonará una alarma.

4 Seleccione un ciclo.

- Gire la perilla selectora de ciclos o presione los botones de ciclos repetidamente hasta que se seleccione el ciclo deseado.
- La configuración predeterminada de temperatura de lavado y ajustes de opciones se muestran para el ciclo seleccionado.
- El ciclo **Normal** debe seleccionarse para cambiar sus configuraciones predeterminadas.

- Presionar el botón de **Inicio/Pausa** sin seleccionar un ciclo inmediatamente inicia el ciclo **Normal** con las configuraciones predeterminadas.

5 Ajuste la Configuración.

- Pueden modificarse las configuraciones predeterminadas del ciclo seleccionado, si así se lo desea, con los botones de opción y de modificación de ciclo.
- No todas las modificaciones y opciones están disponibles para todos los ciclos. Sonará una alarma diferente y el indicador LED no se enciende si la selección no está permitida.

6 Comienzo del ciclo.

- Presione el botón **Inicio/Pausa** para iniciar el ciclo. La tapa se traba y la lavadora se agita brevemente sin agua para medir el peso de la carga.
- Si el botón de **Inicio/Pausa** no es presionado dentro de cierto tiempo, la lavadora se apagará automáticamente y todas las configuraciones se perderán.

NOTA

- Debe mantener presionado el botón de **Encendido/Apagado** cuando apague el electrodoméstico. Esto ayuda a evitar que se apague accidentalmente durante un ciclo.

7 Fin de ciclo.

- Una melodía sonará cuando el ciclo haya finalizado. Remueva inmediatamente las prendas de la lavadora para reducir las arrugas.
- Si la lavadora cuenta con filtros de pelusa, recuerde revisarlos cada 2 o 3 cargas.

Clasificación de prendas

Conjuntos de prendas similares

Para obtener los mejores resultados de lavado y para reducir la posibilidad de daños en las prendas, agrupe la ropa en cargas de prendas de características similares.

Si se mezclan telas o niveles de suciedad diferentes, el resultado puede ser un lavado deficiente, transferencia de colores, decoloración, daño de las prendas o que se desprendan pelusas. Las telas deben clasificarse en grupos tal como se describe a continuación.

Colores

Clasifique las prendas según su color. Lave la ropa oscura separada de los colores claros o blancos. Si se mezclan prendas de colores oscuros con prendas de colores claros, puede ocurrir transferencia de tinte o decoloración en la ropa más clara.

Nivel de suciedad

La ropa muy sucia debe lavarse junta. Si lava las prendas con menor suciedad en la misma carga que la ropa muy sucia, el resultado puede ser un lavado deficiente de las prendas de menor suciedad.

Tipo de tela

Las prendas delicadas no deben mezclarse con las prendas de telas más resistentes o pesadas. Si lava prendas de telas pesadas con ropa delicada, el resultado puede ser un lavado deficiente de la ropa de tela pesada y es posible que se dañen las prendas delicadas.

Telas que atraen o despiden pelusa

Algunas telas atraen pelusa y esta se adhiere a ellas, mientras que otras despiden pelusas en el proceso de lavado. Evite mezclar en la misma carga ropa a la que se adhiere la pelusa con ropa que despidan pelusas. Mezclar estos materiales puede tener como resultado que, en las prendas que atraen pelusa, se formen bolitas y que estas ropas se llenen de pelusa. (Por ejemplo, prenda a la que se le adhiere la pelusa: suéter tejido; prenda que despiden pelusas: toalla de tejido esponjoso).

Cómo clasificar las prendas

| Por Colores | Por nivel de suciedad | Por tela | Según la pelusa |
|----------------|-----------------------|---------------|---------------------|
| Blancos | Muy sucias | Delicadas | Que despiden pelusa |
| Colores claros | Normal | Cuidado fácil | Que recoge pelusa |
| Oscuras | Ligera | Resistente | |

PRECAUCIÓN

- La lavadora puede llenarse por completo, pero el tambor no debe quedar demasiado lleno de artículos. La tapa de la lavadora debe cerrarse fácilmente.
- Utilice el ciclo **Bedding (Ropa de cama)** para artículos flotantes o no absorbentes, como almohadas o edredones. El incumplimiento de esta precaución puede provocar fugas.

Etiquetas de cuidado de las prendas

Muchas prendas incluyen una etiqueta de cuidado de telas. Utilizando el siguiente cuadro, ajuste el ciclo y las opciones a manera de cuidar de sus prendas de acuerdo a las recomendaciones del fabricante.

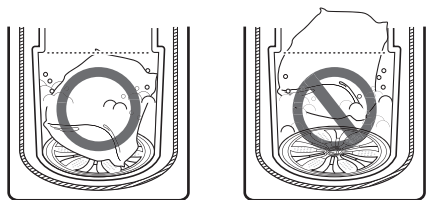
| Categoría | Etiqueta | Indicaciones |
|----------------------------|----------|--|
| Lavado | | Lavado a mano |
| | | Lavado en lavadora, Ciclo normal |
| | | Configuración Planchado permanente/ Resistente a las arrugas (que tiene un rociado fresco o frío antes de un centrifugado más lento) |
| | | Suave/Delicado (agitación lenta y/o menor tiempo de lavado) |
| | | No lavar |
| | | No retorcer |
| Temperatura del agua | ... | Caliente |
| | .. | Tibia |
| | . | Fría |
| Símbolos sobre blanqueador | | Cualquier blanqueador (cuando sea necesario) |
| | | Solo blanqueador sin cloro (cuando sea necesario) |
| | | No usar blanqueador |

20 FUNCIONAMIENTO

Carga de la lavadora

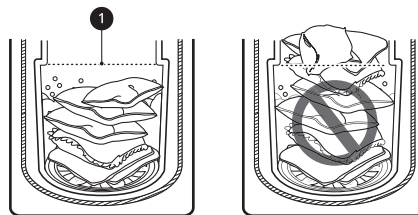
Consejos generales

- Revise y vacíe los bolsillos. Los ganchos para papel, las monedas, los fósforos y otros elementos pueden dañar las prendas y la lavadora.
- Asegúrese de que los zípers y los ganchos de la ropa estén cerrados y amarre cualquier cordón para evitar que las prendas se enganchen o enreden.
- Para mejores resultados, trate previamente las áreas con manchas difíciles.
- Con un cepillo, quite el polvo, los pelos y la suciedad más densa de los artículos antes de lavarlos. El exceso de suciedad o arena puede raspar otras telas y causar un lavado deficiente.
- Combine prendas grandes y pequeñas en el tambor. Primero, cargue la ropa más grande. Las prendas grandes no deben representar más de la mitad de la carga total.
- Para mejores resultados, cargue solo los artículos secos. Si lava artículos muy húmedos, exprima el exceso de agua antes de cargar o ejecute un ciclo de **Spin Only (Centrifugado solamente)** para extraer el exceso de agua antes de agregar detergente y comenzar el ciclo deseado.
- La lavadora puede llenarse por completo, pero el tambor no debe quedar demasiado lleno de artículos. La tapa de la lavadora debe cerrar fácilmente.



- La lavadora no se llenará ni operará con la tapa abierta.
- No sobrecargue la bañera. La ropa debe quedar holgada en la bañera debajo de la línea de llenado máximo ①. Cargar la ropa sobre la línea de llenado puede dañar la ropa y la lavadora.
 - No presione hacia abajo los artículos mientras los apila en el tambor.
 - Cargue las prendas holgadamente, y no llene demasiado el tambor. Para una correcta

limpieza, las prendas necesitan espacio para circular.



Artículos voluminosos

- No lave almohadas o cojines enteros. Retire los insertos de almohadas o cojines y lave solo las fundas.
- Utilice el ciclo **Bedding (Ropa de cama)** para artículos largos o voluminosos como chaquetas poli-lleno, edredones, almohadas, etc. Estos artículos no son tan absorbentes como otros y deben agregarse a una carga separada a manera de obtener los mejores resultados.
- Los artículos voluminosos deben colocarse hasta abajo del tambor para obtener los mejores resultados. Siempre coloque artículos boyantes al fondo del tambor. La lavadora detectará automáticamente el tamaño de la carga. Debido al sistema de alta eficiencia de lavado, el nivel de agua podría no cubrir completamente la carga.

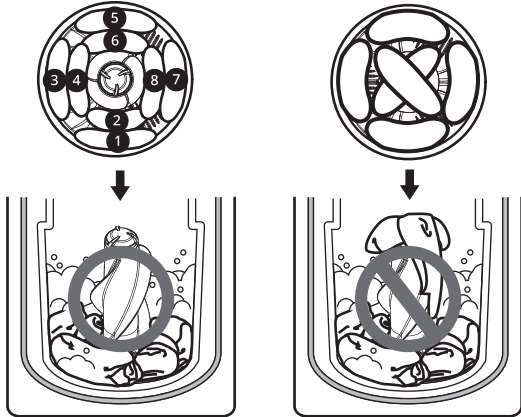
Prendas pequeñas

- No lave prendas pequeñas individualmente. Agregue suficientes prendas similares a la carga para evitar que quede desequilibrada.
- Lave artículos pequeños y livianos en una bolsa de malla. Artículos pequeños podrían atorarse en el propulsor al fondo de la tina, y los ganchos de sostenes podrían dañar otros artículos.

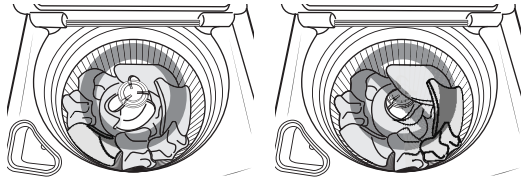
Consejos generales para modelos con agitador

Si el aparato utiliza un eje vertical alto en el tambor, siga estas instrucciones al cargar la lavadora.

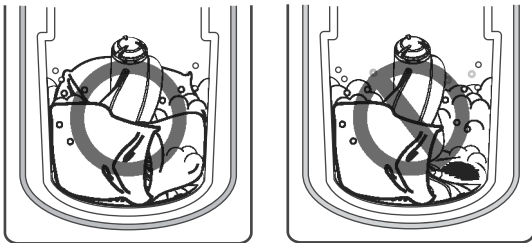
- Para un mejor rendimiento, cargue la ropa como se muestra.



- Para reducir los enganches, cargue artículos sin apretar en pilas uniformes en el agitador.

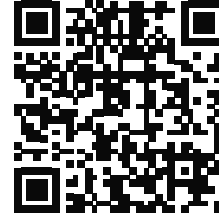


- No cargue un solo artículo voluminoso a menos que llene el tambor. Cargue varios artículos pequeños y voluminosos alrededor del agitador para equilibrar la carga.



- No cargue artículos voluminosos como camas para mascotas que sean demasiado grandes o rígidas para mover fácilmente en el agitador. Impedir el movimiento del tambor o el agitador podría provocar daños a los artículos o la lavadora.

manual.lge.com/Total/DFZ/NA/TL/TD/main.html o escaneando el código QR.



- Clasificación de prendas
- Agregado de productos de limpieza
- Panel de control
- Ciclos de lavado
- Modificadores de ciclo
- Funciones para el cuidado especial
- Opciones y funciones adicionales

Información adicional sobre la operación

El manual del propietario completo se puede encontrar en el sitio web de LG en: <http://gscs->

22 FUNCIONES INTELIGENTES

FUNCIONES INTELIGENTES

Aplicación LG ThinQ

La aplicación **LG ThinQ** le permite comunicarse con el electrodoméstico usando un teléfono inteligente.

Funciones de la aplicación LG ThinQ

Smart Diagnosis

Esta función brinda información útil para diagnosticar y resolver problemas con el producto conforme a su patrón de uso.

Instalación de la aplicación LG ThinQ

Busque la aplicación **LG ThinQ** en la tienda Google Play o App Store desde su teléfono inteligente. Siga las instrucciones para descargar e instalar la aplicación.

Función Smart Diagnosis™ (Diagnóstico Inteligente)

Utilice esta función como ayuda para diagnosticar y resolver problemas con su electrodoméstico.

NOTA

- Por motivos no atribuibles a la negligencia de LGE, es posible que el servicio no pueda funcionar debido a factores externos como por ejemplo, la indisponibilidad de Wi-Fi, desconexión de Wi-Fi, política de la tienda de aplicaciones local o indisponibilidad de aplicaciones, entre otros.
- Esta función puede estar sujeta a cambios sin previo aviso y puede tener una forma diferente según dónde se encuentre ubicado.

Uso del diagnóstico audible para diagnosticar problemas

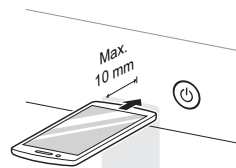
Siga las instrucciones a continuación para utilizar el método de diagnóstico audible.

- Inicie la aplicación **LG ThinQ** y seleccione la función **Smart Diagnosis™** en el menú. Siga las instrucciones para el diagnóstico audible provistas en la aplicación **LG ThinQ**.

- 1 Presione el botón **Encendido/Apagado** para encender el electrodoméstico.

- No presione ningún otro botón.

- 2 Sostenga el micrófono de su teléfono cerca del botón **Encendido/Apagado**.



- 3 Mantenga presionado el botón **Temp. (Temperatura)** durante 3 segundos o más mientras sigue manteniendo el teléfono cerca del botón **Encendido/Apagado**.

- 4 Mantenga el teléfono allí hasta que la transmisión de tonos haya terminado. Cuando se hayan detenido los tonos, el diagnóstico se mostrará en la aplicación.

NOTA

- Para obtener resultados óptimos, no mueva el teléfono mientras se transmitan los tonos.

MANTENIMIENTO

⚠ ADVERTENCIA

- Para reducir el riesgo de incendios, descargas eléctricas o lesiones, lea todo el manual del usuario, incluidas las **INSTRUCCIONES DE SEGURIDAD**, antes de utilizar este aparato.
- Desconecte el aparato antes de limpiarlo para evitar el riesgo de descargas eléctricas. El incumplimiento de esta advertencia puede causar lesiones graves, incendios, descargas eléctricas o incluso la muerte.
- No utilice sustancias volátiles (benceno, disolvente, alcohol, acetona, etc.), limpiadores abrasivos o detergentes con componentes químicos fuertes al limpiar la lavadora, ya que se puede decolorar o dañar el aparato, o provocarse un incendio.
- Intencionalmente, algunas piezas internas no tienen conexión a tierra y pueden presentar un riesgo de descarga eléctrica solo durante la reparación. Personal de reparación – no toque las siguientes piezas cuando el aparato esté recibiendo energía: bomba, motor, cubierta de filtro de ruido y calentador (en modelos aplicables).

ESPAÑOL

Limpeza regular

Cuidado después del lavado

- Siempre retire las prendas de la lavadora tan pronto como termine el ciclo. Si deja las prendas húmedas en la lavadora, estas pueden arrugarse, transferir color y provocar olores.
- Luego de que el ciclo haya terminado, limpie la tapa y el interior de su sello para remover el contenido de humedad.
 - Seque el cuerpo de la lavadora con un paño seco para eliminar cualquier resto de humedad.
 - Deje la tapa abierta para secar el interior de la tina.

NOTA

- Asegúrese de que ni los niños ni las mascotas ingresen al tambor. Active la función **Control Lock (Bloqueo de Panel)**, si fuera necesario, para evitar que los niños inicien un ciclo de lavado accidentalmente.

Limpeza del exterior

El cuidado adecuado de su lavadora puede prolongar su vida.

Tapa:

- Límpiela por fuera y por dentro con un paño húmedo y luego séquela con un paño suave.

Exterior:

- Seque inmediatamente cualquier derrame.
- Límpielo con un paño húmedo.
- No toque la superficie con objetos punzantes o filosos.

Mantenimiento periódico

Limpiando el Tambor

Es posible que con el tiempo se acumulen residuos en el tambor y esto provoque cierto olor a moho. Ejecute el ciclo **Tub Clean (Limpeza de la tina) mensualmente** para remover residuos y prevenir la formación de olores.

NOTA

- Asegúrese de ejecutar el ciclo de **Tub Clean (Limpeza de la tina)** solo cuando el tambor se encuentre vacío. Nunca coloque ropa para lavado mientras utilice este ciclo. La ropa puede dañarse o contaminarse con los productos de limpieza.
- Ejecútelo más seguido bajo condiciones intensas de uso, o si ya ha detectado el mal olor.
- Si ya percibe olor a humedad o a moho, ejecute este ciclo semanalmente durante tres semanas consecutivas.

- 1 Remueva cualquier prenda de la tina.

24 MANTENIMIENTO

2 Agregado de productos de limpieza.

| Producto de limpieza | Instrucciones |
|-------------------------------|---|
| Limpiador para la tina | Siga las instrucciones del fabricante. |
| Removedor de cal | |
| Blanqueador con cloro líquido | Añada al dispensador de detergente líquido para lavado principal. |
| Limpiador en polvo | Siga las instrucciones del fabricante. |
| Tabletas de limpieza | Colóquelas directamente en el tambor de la lavadora. |

- Para otros productos de limpieza del tambor, siga las instrucciones y recomendaciones del fabricante del limpiador.
- No sobrepase la línea de llenado máximo al añadir blanqueador o limpiadores en polvo. Los limpiadores en polvo podrían permanecer en la tina aún después del lavado.

3 Cierre la tapa y presione el botón **Encendido/ Apagado** para encender la lavadora.

4 Gire la perilla o presione los botones de ciclo para seleccionar el ciclo **Tub Clean (Limpieza de la tina)**, luego presione el botón **Inicio/ Pausa** para iniciar.

5 Luego de que el ciclo haya terminado, abra la tapa y permita que el interior de la tina se seque completamente.

⚠ ADVERTENCIA

- Asegúrese de que ni los niños ni las mascotas ingresen al tambor. Active la función **Control Lock (Bloqueo de Panel)**, si fuera necesario, para evitar que los niños inicien un ciclo de lavado accidentalmente.

NOTA

- Si utiliza un descalcificador o un limpiador de tambor durante el ciclo **Tub Clean (Limpieza de la tina)**, use la opción **Rinse+Spin (Enjuague+Centrifugado)** para enjuagar el tambor de la lavadora antes de realizar el siguiente ciclo de lavado.

Remoción de acumulación de minerales

En áreas con aguas duras, se pueden formar sedimentos minerales en los componentes internos de la lavadora. Limpie periódicamente la acumulación de minerales en los componentes internos para prolongar la vida útil de la lavadora. Se recomienda utilizar un ablandador de agua en áreas con aguas duras.

- Utilice un descalcificador para eliminar la acumulación mineral visible en el tambor de la lavadora.
- Luego de limpiar con el descalcificador, siempre ejecute el ciclo de **Tub Clean (Limpieza de la tina)** antes de lavar ropa.
- Los sedimentos minerales y otras manchas pueden eliminarse de la tina de acero inoxidable utilizando un paño suave embebido en un limpiador para acero inoxidable.
- No use lana de acero ni limpiadores abrasivos.

Dejando la Tapa Abierta

Después de terminar de usar la lavadora, deje la tapa abierta durante la noche para permitir que el aire circule y seque el tambor. Esto ayuda a prevenir olores.

Limpiando la Bandeja del Dispensador

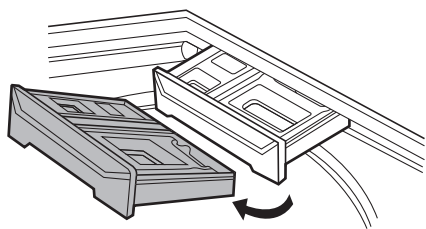
Puede que se acumule detergente y suavizante en la bandeja del dispensador. Remueva la bandeja y los insertos y revise si hay acumulación **una o dos veces al mes**.

⚠ ADVERTENCIA

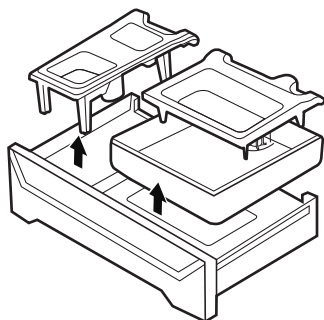
- No rocíe agua dentro de la lavadora. Hacerlo podría causar un incendio o una descarga eléctrica.

1 Apague la lavadora y desenchufe el cable de alimentación.

2 Remueva la bandeja al tirar de ella hasta que se detenga. Levante la parte delantera de la bandeja y retírela completamente.



- 3** Remueva los insertos de los dos compartimientos.



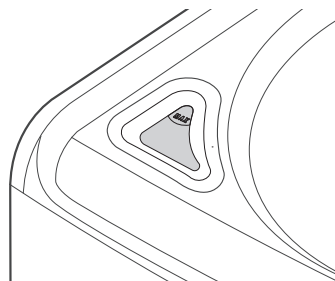
- 4** Limpie los insertos y la bandeja con agua tibia.
- Utilice un paño suave o un cepillo para limpiar y remover cualquier residuo.
 - No utilice jabón al limpiar la bandeja y los insertos.
- 5** Seque la humedad con un paño o una toalla seca luego de limpiar.
- 6** Para limpiar la apertura de la bandeja, utilice un pequeño cepillo no metálico. Remueva todo el residuo de las parte superior e inferior del hueco.
- 7** Coloque los insertos de regreso en sus respectivos compartimientos y vuelva a colocar la bandeja.
- Coloque la bandeja en diagonal en la apertura, bájela y deslícela en su lugar.

Limpiando el Dispensador de Blanqueador

Puede que se acumule blanqueador en la cubierta del dispensador. Revise que no sea así y limpie la cubierta **una o dos veces al mes**.

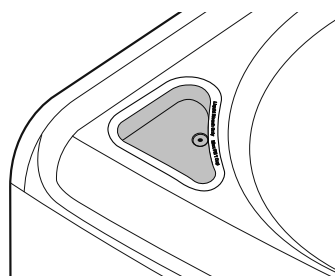
Dispensador automático de blanqueador

Remueva la cubierta del dispensador de blanqueador. Limpie la cubierta y la apertura con agua tibia.



Dispensador inmediato de blanqueador

La cubierta no puede separarse del dispensador. Límpiela utilizando un cepillo y agua tibia.



Limpieza de los filtros de entrada de agua

Si la lavadora no se llena correctamente, es posible que destelle el indicador LED Warm. Las rejillas del filtro de la válvula de entrada de agua pueden taparse por el sarro que se forma en las aguas duras, sedimentos en el suministro de agua u otros desechos.

⚠ ADVERTENCIA

- Las rejillas de entrada protegen las partes delicadas de la válvula de partículas que puedan ingresar a través del suministro de agua. Operar la lavadora sin estos filtros podría causar que una válvula se quede abierta continuamente, provocando una inundación y/o daños a la propiedad.

⚠ PRECAUCIÓN

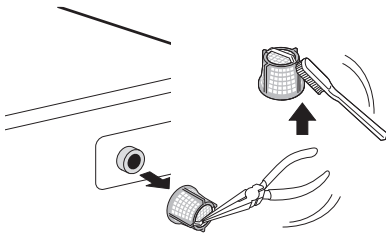
- No use la lavadora sin los filtros de entrada. Hacerlo provocará fugas y un mal funcionamiento.

26 MANTENIMIENTO

⚠ PRECAUCIÓN

- Si usa la lavadora en un área de aguas duras, el filtro de entrada puede obstruirse por la acumulación de cal y requeriría una limpieza más frecuente.

- 1 Apague la lavadora y desenchufe el cable de alimentación.
- 2 Cierre las llaves de paso de agua caliente y fría.
- 3 Desenrosque las mangueras de agua caliente y fría de la parte posterior de la lavadora.
- 4 Retire los filtros de las válvulas de agua cuidadosamente.
 - Use pinzas para retirar los filtros de las válvulas de agua.



- 5 Retire objetos extraños y sumerja los filtros en vinagre blanco o en un removedor de cal.
 - Si utiliza un removedor de cal, siga las instrucciones del fabricante. Tenga cuidado de no dañar los filtros mientras los limpia.
- 6 Enjuague bien los filtros y vuelva a colocarlos en su sitio.
- 7 Enjuague las mangueras del agua y vuelva a fijarlas en su lugar.
 - Antes de volver a colocar las mangueras de entrada de agua, enjuáguelas haciendo correr bastante agua por ellas hacia una cubeta o desagüe. Preferentemente, hágalo con las llaves de paso del agua abiertas por completo, para que fluya el máximo posible de agua.

NOTA

- Es posible que destelle el indicador LED **Warm (Tibia)** cuando la presión de agua sea muy débil

o cuando un filtro de entrada esté obstruido con suciedad. Limpie el filtro de entrada.

Cuidado en climas fríos

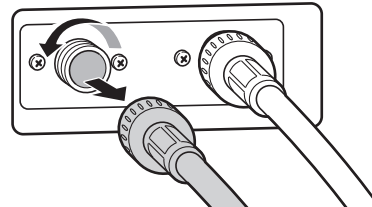
Almacenamiento de la lavadora

Si la lavadora no va a ser utilizada por un período prolongado y se encuentra en una zona en la que puede quedar expuesta a temperaturas bajo cero, siga estos pasos para protegerla de daños.

NOTA

- Asegúrese de que la tina esté vacía antes de seguir los siguientes pasos.

- 1 Apague la lavadora y desenchufe el cable de alimentación.
- 2 Cierre las llaves de paso de agua.
- 3 Desconecte las mangueras del suministro de agua y drene el agua que quede en ellas.



- 4 Enchufe el cable de alimentación en un tomacorriente correctamente conectado a tierra.
- 5 Agregue 1 galón de anticongelante no tóxico para vehículos recreativos (RV) en el tambor vacío y cierre la tapa.
 - Nunca use anticongelante para automóviles.
- 6 Encienda la lavadora y seleccione el ciclo **Spin Only (Centrifugado solamente)**.

- 7** Presione el botón de **Inicio/Pausa** para dar arranque a la bomba de desagüe para **1 minutos**.
 - Esto expulsará una cantidad de anticongelante y dejará solo el necesario para proteger la lavadora de posibles daños.
- 8** Apague la lavadora y desenchufe el cable de alimentación.
- 9** Seque el interior del tambor con un paño suave y cierre la tapa.
- 10** Guarde la lavadora en posición vertical.
- 11** Quite los insertos del dispensador. Desagote el agua que pueda haber en los compartimientos y déjelos secar.
- 12** Para quitar el anticongelante de la lavadora luego de haberla tenido guardada, ejecute el ciclo **Speed Wash (Lavado rápido)** usando detergente.
 - No coloque ropa para lavar en este ciclo.

Cuando las mangueras de entrada de agua están congeladas

- 1** Apague la lavadora y desenchufe el cable de alimentación.
- 2** Cierre las llaves conectadas a las mangueras de entrada de agua.
- 3** Vierta agua caliente sobre las llaves congeladas para descongelar las mangueras de entrada de agua y poder retirarlas.
- 4** Sumerja las mangueras de entrada de agua en agua caliente para descongelarlas.
- 5** Vuelva a conectar las mangueras de entrada a las entradas de agua de la lavadora y a las llaves.
 - Consulte la sección **Conexión de las mangueras de entrada de agua** para obtener más detalles.

- 6** Abra las llaves de paso.
- 7** Presione el botón de **Encendido/Apagado** para encender la lavadora.
- 8** Seleccione el ciclo **Spin Only (Centrifugado solamente)**. Se producirá un breve enjuague antes de que el tambor se drene y centrifugue.
- 9** Presione el botón de **Inicio/Pausa** y verifique que el agua llene la lavadora correctamente.

Cuando se congela la manguera de desagüe

- 1** Vierta agua caliente en el tambor de la lavadora y cierre la tapa.
- 2** Espere durante 1 o 2 horas.
- 3** Presione el botón de **Encendido/Apagado** para encender la lavadora.
- 4** Seleccione el ciclo **Spin Only (Centrifugado solamente)** para drenar el tambor y comenzar a centrifugar.
- 5** Presione el botón de **Inicio/Pausa** para verificar que el agua se drene correctamente.

28 SOLUCIÓN DE PROBLEMAS

SOLUCIÓN DE PROBLEMAS

La lavadora está equipada con un sistema automático de detección de errores para detectar y diagnosticar problemas en una etapa temprana. Si la lavadora no funciona correctamente o no funciona en absoluto, compruebe lo siguiente antes de llamar al servicio técnico.

Antes de llamar al servicio técnico

Mensajes de error

| Problemas | Causas posibles y solución |
|--|--|
| Parpadea el indicador LED Extra Rinse (Extra enjuague) ERROR DE DESEQUILIBRIO | La carga es muy pequeña. <ul style="list-style-type: none"> Agregue prendas adicionales para que la lavadora logre equilibrar la carga. |
| | Hay artículos pesados mezclados con otros más livianos. <ul style="list-style-type: none"> Siempre trate de lavar artículos de peso más o menos similar para que la lavadora pueda distribuir de forma pareja el peso de la carga para el centrifugado. |
| | La carga está desequilibrada. <ul style="list-style-type: none"> Redistribuya la carga manualmente si los artículos se han enredado y están previniendo que el equilibrado automático funcione apropiadamente. |
| Parpadea el indicador LED Warm (Tibia) ERROR DE ENTRADA | Las llaves de paso del suministro de agua no están abiertas por completo. <ul style="list-style-type: none"> Asegúrese de que las llaves de paso del agua estén completamente abiertas. |
| | Las mangueras de entrada de agua se encuentran retorcidas, pellizcadas o aplastadas. <ul style="list-style-type: none"> Asegúrese de que las mangueras no estén retorcidas, pellizcadas ni aplastadas detrás o debajo de la lavadora. Tenga cuidado cuando mueva la lavadora para su limpieza o mantenimiento. |
| | Los filtros de entrada de agua están obstruidos. <ul style="list-style-type: none"> Limpie los filtros de entrada. Consulte MANTENIMIENTO. |
| | La presión del suministro de agua de la casa o a la llave de paso de agua es demasiado baja. <ul style="list-style-type: none"> Compruebe otro grifo de la casa para asegurarse de que la presión del suministro de agua doméstico es la adecuada y que la circulación de agua no está restringida. Desconecte las mangueras de entrada de agua y haga circular algunos galones de agua por las mangueras para enjuagar el polvo que pudiera haber. Si circula demasiado lento, llame a un fontanero para que repare las tuberías de agua. |
| | Suministro de agua conectado con mangueras limitadoras de fugas. <ul style="list-style-type: none"> No se recomienda el uso de mangueras limita fugas. Puede que las mangueras diseñadas para limitar fugas se activen falsamente y prevengan el llenado apropiado de la lavadora. |
| Parpadea el indicador LED Cold (Fría) ERROR DE LA SALIDA DE AGUA | La manguera de desagüe está retorcida, pellizcada u obstruida. <ul style="list-style-type: none"> Asegúrese que la manguera de drenaje esté libre de atascos o torceduras, y que no esté apretada detrás o debajo de la lavadora. |

| Problemas | Causas posibles y solución |
|--|--|
| <p>Parpadea el indicador LED Cold (Fría)</p> <p>ERROR DE LA SALIDA DE AGUA</p> | <p>El extremo de la manguera de drenaje está a más de 96 pulgadas (2.4 m) en relación al fondo de la lavadora.</p> <ul style="list-style-type: none"> Mueva el extremo de la manguera de drenaje para que esté a menos de 96 pulgadas (2.4 m). |
| <p>Se enciende el indicador LED Control Lock (Bloqueo de Panel)</p> <p>FUNCIÓN DE BLOQUEO INFANTIL</p> | <p>La función de Bloqueo Infantil está encendida para prevenir que cualquier persona cambie de ciclo u opere la lavadora.</p> <ul style="list-style-type: none"> Desactive la función de Bloqueo Infantil en el panel de control. Consulte Control Lock (Bloqueo de Panel) en Opciones y funciones adicionales. |
| <p>Parpadea el indicador LED Rinse+Spin (Enjuague+Centrifugado)</p> <p>FUNCIÓN DE DRENAJE</p> | <p>Característica de drenaje especial</p> <ul style="list-style-type: none"> Si la lavadora es pausada durante un ciclo por más de 4 minutos, el ciclo se cancelará y el agua que haya quedado en la tina será drenada. Esto no es un código de error. Indica que la función de drenaje está operando. |
| <p>Parpadean los indicadores LED Door Lock (Bloqueo de la puerta) y Control Lock (Bloqueo de Panel)</p> <p>ERROR DE LA TAPA</p> | <p>La tapa no está cerrada apropiadamente.</p> <ul style="list-style-type: none"> Cierre la tapa correctamente. Si la tapa está cerrada y aún se muestra el mensaje de error, llame al servicio. |
| <p>Parpadea el indicador LED Door Lock (Bloqueo de la puerta)</p> <p>ERROR DE BLOQUEO DE LA TAPA</p> | <p>La tapa no está cerrada correctamente.</p> <ul style="list-style-type: none"> Asegúrese de que la tapa esté cerrada correctamente y presione el botón Inicio/Pausa. Puede oír el sonido de bloqueo para cerrar la tapa al comienzo del ciclo. La lavadora no funcionará a menos que la tapa esté bloqueada. Asegúrese de que no haya nada atrapado debajo de la tapa, incluyendo material de envío o ropa. Asegúrese de que el mecanismo del enganche esté retraído completamente. Asegúrese de que el mecanismo del enganche esté retraído completamente. Si la tapa está cerrada y aún se muestra el mensaje de error, llame al servicio. |
| <p>Parpadean los indicadores LED Extra Rinse (Extra enjuague) y Cold (Fría)</p> <p>ERROR DE OBJETO EXTRAÑO</p> | <p>Los objetos extraños, como las monedas, los pines, las pinzas, etc., quedan atrapados entre el pulsador y el tambor interno.</p> <ul style="list-style-type: none"> Apague y encienda la lavadora. Presione el botón Spin (Centrifugado) sin seleccionar un ciclo para drenar y centrifugar la carga. Cuando se complete el ciclo Spin (Centrifugado), vacíe el tambor, y busque y remueva cualquier objeto que esté atrapado en pulsador. Siempre revise los bolsillos, etc., previo al lavado a manera de prevenir códigos de error o daños a la lavadora y a sus prendas. |
| <p>Parpadea el indicador LED Tub Clean (Limpieza de la tina)</p> <p>ALARMA DE LIMPIEZA DE CUBA</p> | <p>Es tiempo de ejecutar el ciclo de Tub Clean (Limpieza de la tina).</p> <ul style="list-style-type: none"> Este no es un código de error. Indica que el ciclo Tub Clean (Limpieza de la tina) se está ejecutando o que es necesario hacerlo para limpiar el tambor de la lavadora. No aplicable a todos los modelos. |

30 SOLUCIÓN DE PROBLEMAS

| Problemas | Causas posibles y solución |
|--|---|
| Parpadean los indicadores LED Rinse+Spin (Enjuague+Centrifugado) y Warm (Tibia) ERROR EN EL SENSOR DE TEMPERATURA | Error de control <ul style="list-style-type: none"> Desenchufe la lavadora y espere 60 minutos. Vuelva a conectarla a la electricidad e intente de nuevo. Si se sigue mostrando el código de error, llame al servicio técnico. |
| Parpadean los indicadores LED Rinse+Spin (Enjuague+Centrifugado) y Cold (Fría) ERROR DE DESBORDE | El nivel del agua es demasiado alto debido a una válvula de agua defectuosa. <ul style="list-style-type: none"> Cierre las llaves de paso del agua, desenchufe la lavadora y llame al servicio técnico. |
| Parpadea el indicador LED Hot (Caliente) ERROR EN EL SENSOR DE PRESIÓN | El sensor del nivel de agua no funciona correctamente. <ul style="list-style-type: none"> Cierre las llaves de paso del agua, desenchufe la lavadora y llame al servicio técnico. |
| Parpadean los indicadores LED Deep Fill (Relleno profundo) y Cold (Fría) ERROR DE MOTOR BLOQUEADO | Ha ocurrido un error del motor. <ul style="list-style-type: none"> Deje la lavadora apagada durante 30 minutos y luego reinicie el ciclo. Si se sigue mostrando el código de error, llame al servicio técnico. |
| Parpadea el indicador LED Deep Fill (Relleno profundo) ERROR DE EMBRAGUE | Error de embrague <ul style="list-style-type: none"> Fallo mecánico Desconecte la lavadora y llame al servicio. |
| Parpadean los indicadores LED Deep Fill (Relleno profundo) y Warm (Tibia) ERROR DE VOLTAJE DE ALIMENTACIÓN | El voltaje de alimentación no es correcto. <ul style="list-style-type: none"> Llame al centro de servicio de LG. Puede encontrar el número de teléfono de su centro de servicio de LG en la última página. |

Ruidos

| Problemas | Causas posibles y solución |
|---------------------------|---|
| Haciendo clic | La traba de la tapa suena cuando esta se bloquea o desbloquea. <ul style="list-style-type: none"> Funcionamiento normal |
| Rociado o silbido | Agua que circula o se rocía durante el ciclo <ul style="list-style-type: none"> Funcionamiento normal |
| Zumbido o gorgoteo | La bomba de desagüe bombea agua desde la lavadora en ocasiones durante un ciclo. <ul style="list-style-type: none"> Funcionamiento normal |
| Chapoteo de agua | Un líquido en el anillo de equilibrio alrededor del pulsador ayuda a que el cesto gire suavemente. <ul style="list-style-type: none"> Funcionamiento normal |

| Problemas | Causas posibles y solución |
|---|---|
| Agua entrando a la lavadora después de que esta ya comenzó a funcionar. | <p>La lavadora adapta el lavado al tipo y al tamaño de la carga y agrega más agua al ciclo cuando resulta necesario.</p> <ul style="list-style-type: none"> • Funcionamiento normal |
| | <p>La carga de ropa puede estar desequilibrada. Si la lavadora percibe que la carga está desequilibrada, se detiene y vuelve a llenarse para redistribuirla.</p> <ul style="list-style-type: none"> • Funcionamiento normal |
| | <p>La lavadora podría estar diluyendo los productos de lavandería para agregarlos al lavado.</p> <ul style="list-style-type: none"> • Funcionamiento normal |
| Ruido metálico y de traqueteo | <p>Objetos extraños como llaves, monedas, o pines de seguridad podrían estar en el tambor o en la bomba.</p> <ul style="list-style-type: none"> • Detenga la lavadora, verifique el tambor y el filtro de desagüe para detectar objetos extraños. • Si el ruido continúa después de reiniciar la lavadora, llame al servicio técnico. |
| Golpeteo | <p>Las cargas pesadas pueden producir un golpeteo.</p> <ul style="list-style-type: none"> • Esto es normal, pero, si el sonido continúa, probablemente la lavadora se encuentra desequilibrada. Detenga la lavadora y distribuya la carga nuevamente. |
| | <p>La carga puede estar desequilibrada.</p> <ul style="list-style-type: none"> • Pause el ciclo y redistribuya la carga luego de que la tapa se desbloquee. |
| Ruido de Vibración | <p>No se quitaron todos los materiales de empaque.</p> <ul style="list-style-type: none"> • Consulte Desempacando y removiendo el material de transporte en INSTALACIÓN. |
| | <p>Es posible que la carga de lavado no esté distribuida de manera uniforme. Es posible que la carga de lavado no esté distribuida de manera uniforme.</p> <ul style="list-style-type: none"> • Pause el ciclo y redistribuya la carga luego de que la tapa se desbloquee. |
| | <p>No todas las patas de nivelación están bien afirmadas al suelo y adecuadamente niveladas.</p> <ul style="list-style-type: none"> • Consulte Nivelación de la lavadora en INSTALACIÓN. |
| | <p>El suelo no es lo suficientemente rígido.</p> <ul style="list-style-type: none"> • Asegúrese de que el piso es sólido y no se flexiona. Vea Piso en INSTALACIÓN. |
| Ruido de chirridos | <p>No se quitaron todos los materiales de empaque.</p> <ul style="list-style-type: none"> • Consulte Desempacando y removiendo el material de transporte en INSTALACIÓN. |
| Ruido de golpes cuando la lavadora se está llenando con agua. (Golpe de ariete) | <p>La fontanería en el hogar se mueve o flexiona cuando las válvulas de la lavadora se cierran.</p> <ul style="list-style-type: none"> • El golpe de ariete no es provocado por un defecto de la lavadora. Instale supresores de golpes de ariete (se compran aparte, en su ferretería local o en una tienda de materiales de construcción) entre la manguera de llenado y la lavadora para obtener resultados óptimos. |
| | <p>La presión del suministro de agua doméstico es muy alta.</p> <ul style="list-style-type: none"> • Ajuste el regulador del suministro de agua doméstico a una presión menor o llame a un fontanero. |

32 SOLUCIÓN DE PROBLEMAS

FUNCIONAMIENTO

| Problemas | Causas posibles y solución |
|--------------------------|--|
| Fuga de agua | <p>Las mangueras no están conectadas correctamente.</p> <ul style="list-style-type: none"> • Verifique la presencia de fugas, rajaduras o quebraduras en las mangueras y los conectores. • Compruebe y apriete las conexiones de las mangueras. |
| | <p>Los tubos de drenaje están obstruidos.</p> <ul style="list-style-type: none"> • La lavadora bombea agua a mucha velocidad. Verifique si el agua vuelve de la tubería de desagüe durante el desagote. Si ve que sale agua del desagüe, compruebe que la manguera de desagüe esté correctamente instalada y verifique que no existan obstrucciones en el desagüe. • Llame a un fontanero para reparar la tubería de desagüe. |
| | <p>La manguera de desagüe se salió del conector del desagüe o no está introducida lo suficiente.</p> <ul style="list-style-type: none"> • Amarre la manguera de desagüe a la manguera de entrada o al tubo independiente para evitar que se salga durante el desagote. • Para tuberías de desagüe más pequeñas, inserte la manguera de desagüe en la tubería hasta la brida de la manguera. Para tuberías de desagüe de mayores dimensiones, inserte la manguera de desagüe en la tubería pasando de 1 a 2 pulgadas la brida de la manguera. |
| | <p>Un objeto grande como una almohada o manta está por encima de la parte superior del tambor.</p> <ul style="list-style-type: none"> • Use el ciclo Bedding (Ropa de cama) para lavar artículos voluminosos o de grandes dimensiones. Tenga mucho cuidado y nunca lave más de media carga de artículos que flotan como, por ejemplo, almohadas. • Detenga la lavadora y compruebe la carga. Asegúrese de que la carga no se encuentre por encima del borde superior del tambor. |
| | <p>Exceso de espuma del detergente</p> <ul style="list-style-type: none"> • El exceso de espuma puede generar fugas y puede estar ocasionado por el tipo y la cantidad de detergente utilizado. El único detergente recomendado es el de alta eficiencia (HE). La cantidad normal de detergente que debe utilizarse es de 1/4 a 1/2 de la cantidad máxima recomendada por el fabricante de detergente. • Siempre reduzca la cantidad de detergente si la carga es pequeña, está poco sucia, o si el agua es muy suave. • Nunca utilice más de la cantidad máxima recomendada por el fabricante del detergente. |
| Espuma excesiva | <p>Demasiado detergente o detergente incorrecto</p> <ul style="list-style-type: none"> • Los detergentes HE están formulados específicamente para lavadoras de alta eficiencia y contienen agentes de reducción de espuma. Use solo detergente con el logotipo de alta eficiencia (HE). • Para conocer las cantidades de detergente, consulte Uso de detergente en FUNCIONAMIENTO. Si el exceso de espuma o el residuo de detergente siguen siendo un problema, añada un enjuague adicional. |
| La lavadora no enciende. | <p>El cable de alimentación no está enchufado correctamente.</p> <ul style="list-style-type: none"> • Asegúrese de que el enchufe esté conectado de manera segura en un tomacorriente de 120 V CA, 60 Hz de 3 clavijas con conexión a tierra. |
| | <p>Se quemó el fusible del hogar, saltó el interruptor de corriente o hay un corte de energía.</p> <ul style="list-style-type: none"> • Restablezca el interruptor de corriente o remplace el fusible. No aumente la potencia nominal del fusible. Si el problema es una sobrecarga del circuito, llame a un electricista calificado para que lo solucione. |

| Problemas | Causas posibles y solución |
|--|---|
| <p>El detergente no se dispensa o se dispensa de forma incompleta</p> | <p>Los compartimientos de detergente están obstruidos por haber sido llenados de forma incorrecta.</p> <ul style="list-style-type: none"> • Asegúrese de colocar el detergente y los aditivos en los compartimientos correctos del dispensador. • Para todos los tipos de detergente, asegúrese siempre de que el cajón del dispensador esté completamente cerrado antes del inicio del ciclo. |
| | <p>Se utilizó demasiado detergente.</p> <ul style="list-style-type: none"> • Asegúrese de utilizar la cantidad de detergente sugerida de acuerdo con las recomendaciones del fabricante. Podría también diluir el detergente con agua hasta la línea de llenado máximo del compartimiento para evitar que este se obstruya. Utilice solamente detergente de alta eficiencia (HE). - Siempre utilice la menor cantidad de detergente que sea posible. Las lavadoras de alta eficiencia necesitan muy poca cantidad de detergente para lograr óptimos resultados. Si usa mucho detergente, puede hacer que el lavado y el enjuague sean deficientes y contribuir a que se produzcan olores en la lavadora. |
| | <p>Suministro de agua insuficiente</p> <ul style="list-style-type: none"> • Asegúrese de que tanto la llave de agua fría como la de agua caliente estén abiertas por completo. |
| | <p>Residuo normal</p> <ul style="list-style-type: none"> • Es normal que quede una pequeña cantidad de detergente en el dispensador. Si este residuo se acumula, puede interferir con el ingreso normal de los detergentes a la lavadora. Consulte las instrucciones de limpieza. |
| <p>La lavadora no funciona.</p> | <p>El panel de control se ha apagado por estar inactivo.</p> <ul style="list-style-type: none"> • Esto es normal. Presione el botón de Encendido/Apagado para encender la lavadora. |
| | <p>La lavadora está desenchufada.</p> <ul style="list-style-type: none"> • Asegúrese de que el cable de alimentación esté conectado de manera segura a un tomacorriente. |
| | <p>El suministro de agua está cerrado.</p> <ul style="list-style-type: none"> • Abra por completo las llaves de agua fría y caliente. |
| | <p>Los controles no están configurados correctamente.</p> <ul style="list-style-type: none"> • Asegúrese de que el ciclo haya sido configurado correctamente, cierre la tapa y presione el botón Inicio/Pausa para iniciar el ciclo de lavado. |
| | <p>La tapa está abierta.</p> <ul style="list-style-type: none"> • Cierre la tapa y asegúrese de que no haya nada atrapado debajo de esta que le impida cerrarse por completo. |
| | <p>Saltó el interruptor de corriente/se quemó el fusible.</p> <ul style="list-style-type: none"> • Revise los disyuntores/fusibles del hogar. Reemplace los fusibles o reinicie el interruptor. La lavadora debe estar conectada a un circuito derivado exclusivo. |
| | <p>Inicio/Pausa no se presionó este botón después de configurar el ciclo.</p> <ul style="list-style-type: none"> • Presione el botón de Encendido/Apagado, luego seleccione nuevamente el ciclo deseado y presione el botón de Inicio/Pausa. Si el botón Inicio/Pausa no se presiona en cierto tiempo, la lavadora se apagará. (El tiempo varía según el modelo, de 4 a 60 minutos.). |
| | <p>Presión de agua extremadamente baja.</p> <ul style="list-style-type: none"> • Compruebe otro grifo de la casa para asegurarse de que la presión del suministro de agua doméstico es la adecuada. |
| | <p>La lavadora está demasiado fría.</p> <ul style="list-style-type: none"> • Si la lavadora ha estado expuesta a temperaturas de congelación por un largo período de tiempo, permita que entre en calor antes de presionar el botón Encendido/Apagado. De lo contrario, la pantalla no se encenderá. |

34 SOLUCIÓN DE PROBLEMAS

| Problemas | Causas posibles y solución |
|--|--|
| La lavadora no se llena correctamente. | El filtro está tapado. <ul style="list-style-type: none"> Asegúrese de que los filtros de entrada en las válvulas de llenado no estén obstruidos. Consulte Limpieza de los filtros de entrada de agua en MANTENIMIENTO. |
| | Las mangueras pueden estar retorcidas. <ul style="list-style-type: none"> Asegúrese de que las mangueras de entrada no se encuentren retorcidas ni obstruidas. |
| | Eficiencia en el consumo de energía <ul style="list-style-type: none"> Esta es una lavadora de Alta Eficiencia (HE). Por lo tanto, puede que la configuración del nivel de agua para ella sea diferente a la de una lavadora convencional. |
| | Suministro de agua insuficiente <ul style="list-style-type: none"> Asegúrese de que tanto la llave de agua fría como la de agua caliente estén abiertas por completo. |
| | La tapa de la lavadora se encuentra abierta. <ul style="list-style-type: none"> Cierre la tapa y asegúrese de que no haya nada atrapado debajo de esta que le impida cerrarse por completo. |
| | El nivel de agua es muy bajo. <ul style="list-style-type: none"> Normalmente el agua no cubrirá las prendas. El nivel de llenado es optimizado para que los movimientos de lavado alcancen los mejores rendimientos. |
| El agua en la lavadora no drena o lo hace lentamente. | La manguera de desagüe está retorcida, pellizcada u obstruida. <ul style="list-style-type: none"> Asegúrese que la manguera de drenaje esté libre de atascos o torceduras, y que no esté apretada detrás o debajo de la lavadora. |
| | El extremo de la manguera de drenaje está a más de 96 pulgadas (2.4 m) en relación al fondo de la lavadora. <ul style="list-style-type: none"> Mueva el extremo de la manguera de drenaje para que esté a menos de 96 pulgadas (2.4 m). |
| No se dispensa el blanqueador. | La cubierta del dispensador de blanqueador no está instalada correctamente (en algunos modelos). <ul style="list-style-type: none"> Asegúrese de que la cubierta del blanqueador se encuentre instalada correctamente y bien encastrada en su lugar antes de iniciar el ciclo. |
| | El dispensador de blanqueador está sucio u obstruido. <ul style="list-style-type: none"> Levante la cubierta del dispensador de blanqueador y limpie la reserva. Puede que pelusa y otros residuos extraños que estén acumulados dentro del dispensador prevengan el dispensado apropiado del mismo. |
| El blanqueador se dispensa antes de tiempo | El dispensador se ha llenado para un uso futuro. <ul style="list-style-type: none"> No puede almacenar blanqueador en el dispensador para que sea utilizado en el futuro. El blanqueador se dispensará en cada carga. |
| | Llenado en exceso del dispensador de blanqueador. <ul style="list-style-type: none"> Llenar en exceso el dispensador de blanqueador causará que éste se dispense inmediatamente, dañando así sus prendas o la lavadora. Siempre mida el blanqueador, pero nunca llene sobre la línea de llenado máximo en el dispensador. Media taza de blanqueador es suficiente para la mayoría de cargas. Nunca utilice más de 1 taza de blanqueador. |

Desempeño

| Problemas | Causas posibles y solución |
|----------------|--|
| Arrugas | La ropa no se retira de la lavadora pronto. <ul style="list-style-type: none"> Siempre retire las prendas de la lavadora tan pronto como termine el ciclo. |

| Problemas | Causas posibles y solución |
|---|---|
| Arrugas | Lavadora sobrecargada. <ul style="list-style-type: none"> • La lavadora puede llenarse por completo, pero el tambor no debe quedar demasiado lleno de artículos. La tapa de la lavadora debe cerrarse fácilmente. |
| | Las mangueras de entrada de agua fría y caliente están invertidas. <ul style="list-style-type: none"> • Un enjuague con agua caliente puede ocasionar arrugas en las prendas. Compruebe los conectores de las mangueras de entrada. |
| Manchas | El blanqueador o el suavizante se dispensan antes de tiempo. <ul style="list-style-type: none"> • El compartimiento del dispensador se llenó en exceso, lo que provocó que el blanqueador o el suavizante se dispensen inmediatamente. Siempre mida el blanqueador, y nunca use más de 1 taza. |
| | El blanqueador o suavizante fue añadido directamente al lavado en la tina. <ul style="list-style-type: none"> • Siempre use los dispensadores para asegurarse de que los productos de lavandería se dispensen en el momento adecuado del ciclo. |
| | La ropa no se retiró de la lavadora a tiempo. <ul style="list-style-type: none"> • Siempre retire las prendas de la lavadora tan pronto como sea posible en cuanto termine el ciclo. |
| | Las prendas no se clasificaron correctamente. <ul style="list-style-type: none"> • Siempre lave los colores oscuros separados de los colores claros y los blancos para evitar que se produzca decoloración. • Nunca lave ropa muy sucia con ropa poco sucia. |
| Eliminación de manchas deficiente | Manchas que se han fijado previamente. <ul style="list-style-type: none"> • Las prendas que ya han sido lavadas pueden tener manchas que se han fijado. Puede ser difícil eliminar estas manchas, que quizás requieran un lavado a mano o un tratamiento previo para quitarlas. |
| Olor a humedad o a moho en la lavadora | Se ha usado demasiado detergente o uno del tipo incorrecto. <ul style="list-style-type: none"> • Siempre utilice solo detergente de alta eficiencia (HE) de acuerdo con las instrucciones del fabricante. |
| | El interior del tambor no se limpió correctamente. <ul style="list-style-type: none"> • Ejecute el ciclo Tub Clean (Limpieza de la tina) regularmente. |

36 GARANTÍA LIMITADA

GARANTÍA LIMITADA**EE. UU.****TÉRMINOS Y CONDICIONES**

AVISO DE ARBITRAJE: ESTA GARANTÍA LIMITADA CONTIENE UNA CLÁUSULA DE ARBITRAJE QUE LES DEMANDA A USTED Y A LG ELECTRONICS ("LG") A RESOLVER CONFLICTOS A TRAVÉS DE UN ARBITRAJE VINCULANTE EN LUGAR DE HACERLO EN LA CORTE, A MENOS QUE USTED DECIDA NO PARTICIPAR. EN EL ARBITRAJE NO ESTÁN PERMITIDAS LAS ACCIONES COLECTIVAS NI LOS JUICIOS CON JURADO. POR FAVOR, VEA A CONTINUACIÓN LA SECCIÓN TITULADA "PROCEDIMIENTO PARA RESOLVER CONFLICTOS".

Si su lavadora LG ("Producto") fallara debido a defectos de materiales o de fabricación en el uso doméstico normal y correcto, durante el período de garantía que se establece a continuación, LG tendrá la opción de reparar o reemplazar el Producto. Esta garantía limitada solo es válida para el comprador minorista original del Producto ("Usted") y será vigente solo cuando se compre legalmente y se use dentro de los Estados Unidos y de los territorios estadounidenses.

| PERÍODO DE GARANTÍA | | |
|--|--|---|
| Arandela | Tambor de Acero Inoxidable | Motor Direct Drive (Estator y rotor) |
| Piezas (solo piezas internas o funcionales) y mano de obra: un (1) año a partir de la fecha original de compra | Solo piezas: tres (3) años a partir de la fecha original de compra Usted será responsable de cualquier costo de mano de obra. | Solo piezas: diez (10) años a partir de la fecha original de compra Usted será responsable de cualquier costo de mano de obra. |

- Los productos y las piezas de repuesto están garantizados durante el tiempo restante del período original de garantía o noventa (90) días, lo que resulte mayor.
- Los productos y las piezas de repuesto pueden ser nuevos, reparados, reacondicionados, o reconstruidos por la fábrica.
- Los productos y las piezas reemplazados deben ser propiedad de LG.
- A manera de obtener el servicio de garantía bajo esta Garantía Limitada, se requiere prueba de la compra original del producto especificando el modelo del mismo y la fecha de compra.

SALVO DISPOSICIÓN LEGAL CONTRARIA, CUALQUIER GARANTÍA IMPLÍCITA DE POSIBILIDAD DE COMERCIALIZACIÓN O ADECUACIÓN DEL PRODUCTO PARA UNA FINALIDAD ESPECÍFICA ESTÁ LIMITADA EN DURACIÓN A AQUELLA DE LA GARANTÍA LIMITADA PRECEDENTE. BAJO NINGUNA CIRCUNSTANCIA LG NI SUS DISTRIBUIDORES/CONCESIONARIOS EN LOS ESTADOS UNIDOS SERÁN RESPONSABLES DE NINGÚN DAÑO INDIRECTO, INCIDENTAL, EMERGENTE, ESPECIAL NI PUNITIVO DE NINGÚN TIPO, LO QUE INCLUYE SIN LIMITACIONES, PÉRDIDA DEL BUEN NOMBRE DEL NEGOCIO, PÉRDIDA DE INGRESOS O GANANCIAS, CESACIÓN DEL EMPLEO, DETERIORO DE OTROS BIENES, COSTOS DE RETIRO Y REINSTALACIÓN DEL PRODUCTO, PÉRDIDA DE USO O CUALQUIER OTRO DAÑO BASADO EN CONTRATO, RESPONSABILIDAD CIVIL U OTROS. LA RESPONSABILIDAD TOTAL DE LG, SI EXISTE, NO SUPERARÁ EL PRECIO QUE USTED HAYA PAGADO POR EL PRODUCTO.

ALGUNOS ESTADOS NO PERMITEN LA EXCLUSIÓN O LIMITACIÓN DE DAÑOS INCIDENTALES O EMERGENTES, O LIMITACIONES A LA DURACIÓN DE LA GARANTÍA IMPLÍCITA, POR LO QUE LA EXCLUSIÓN O LIMITACIÓN ANTERIORMENTE MENCIONADAS PODRÍAN NO CORRESPONDER EN SU CASO. ESTA GARANTÍA LE OTORGA DERECHOS LEGALES ESPECÍFICOS Y ES POSIBLE QUE USTED CUENTE CON OTROS DERECHOS QUE VARIAN SEGÚN EL ESTADO.

ESTA GARANTÍA LIMITADA NO CUBRE LO SIGUIENTE:

- Viajes del servicio técnico para entregar, buscar o instalar el producto, instruir al cliente sobre la operación del mismo, corregir el cableado o las reparaciones/instalaciones no autorizadas.

- Daño o fallo del producto al operar durante fallas e interrupciones del suministro eléctrico, o resultado de un servicio eléctrico inadecuado.
- Daños o fallo del producto causados por tuberías de agua rotas o con fugas, tuberías de agua congeladas, líneas de desagüe restringidas, suministro de agua inadecuado o interrumpido, o suministro de aire inadecuado.
- Daños o fallos del Producto resultantes de operar el Producto en una atmósfera corrosiva o de forma contraria al manual del propietario del Producto.
- Daños o fallos del producto causados por accidentes, pestes y alimañas, rayos, viento, incendio, inundaciones o hechos de fuerza mayor o cualquier otra causa ajena al control de LG.
- Daños o fallos del Producto causados por modificaciones o alteraciones no autorizadas, o si el Producto se usa para otro fin que no sea el previsto, o por fugas de agua donde el Producto no se haya instalado correctamente.
- Daños o fallos del Producto causados por corriente o voltaje eléctricos incorrectos, o por códigos de fontanería.
- Daños o fallos del Producto causados por el transporte, el almacenamiento y/o el manejo que incluye rayas, muescas, astillado y otros daños al acabado del Producto, a menos que tales daños se informen dentro del plazo de una (1) semana de la entrega.
- Daños o fallos del Producto que resulten del mal uso, el maltrato, la instalación, la reparación o el mantenimiento incorrectos. Las reparaciones incorrectas incluyen el uso de piezas no autorizadas ni especificadas por LG. Las reparaciones e instalaciones incorrectas incluyen aquellas que sean contrarias al manual del propietario del Producto.
- Daños o fallos del Producto causados por el uso de piezas, componentes, accesorios, productos de limpieza consumibles, u otros productos o servicios no autorizados por LG.
- Daños o artículos faltantes con la caja abierta o que hayan estado en exhibición.
- Productos reacondicionados o cualquier producto vendido con los avisos "En el estado actual", "En el sitio actual", "Con todos sus defectos" o similares.
- Productos cuyos números de serie originales hayan sido retirados, alterados o no se puedan determinar fácilmente.
- Aumentos en los costos de los servicios públicos y otros gastos adicionales de dichos servicios.
- Cualquier ruido asociado con la operación normal.
- Productos utilizados de otra forma que no sea uso doméstico usual y normal (p. ej., uso comercial o industrial) o de forma contraria al manual del usuario del Producto.
- Costos asociados con la remoción y reinstalación del Producto para reparaciones o la remoción y reinstalación del Producto si está instalado en una ubicación inalcanzable o no está instalado de acuerdo con el Manual del propietario del producto.
- Accesorios, componentes extraíbles o partes consumibles (por ejemplo, estantes, compartimentos de la puerta, cajones, filtros de agua o aire, rejillas, bombillas, baterías, etc. según corresponda), excepto las partes internas/funcionales cubiertas por esta garantía limitada.

El costo de la reparación o el reemplazo en estas circunstancias excluidas estará a su cargo.

PARA OBTENER SERVICIO EN GARANTÍA E INFORMACIÓN ADICIONAL

Llame al 1-800-243-0000 y seleccione la opción apropiada desde el menú.

O visite nuestro sitio web en <http://www.lg.com>

O por correo postal a: LG Electronics Customer Service P.O. Box 240007 Huntsville, AL 35813 Atención: CIC

PROCEDIMIENTO PARA RESOLVER CONFLICTOS:

TODOS LOS CONFLICTOS ENTRE USTED Y LG QUE SURJAN FUERA DE O RELACIONADOS DE ALGUNA MANERA CON ESTA GARANTÍA LIMITADA O CON EL PRODUCTO, SE RESOLVERÁN EXCLUSIVAMENTE A TRAVÉS DE UN ARBITRAJE VINCULANTE Y NO EN UNA CORTE DE JURISDICCIÓN GENERAL. ARBITRAJE VINCULANTE SIGNIFICA QUE USTED Y LG RENUNCIAN AL DERECHO DE UN JUICIO CON JURADO Y A REALIZAR O PARTICIPAR EN UNA DEMANDA COLECTIVA.

38 GARANTÍA LIMITADA

Definiciones. Para el propósito de esta sección, las referencias a “LG” significan: LG Electronics U.S.A., Inc., sus empresas matrices, subsidiarias y filiales y cada uno de sus directivos, directores, empleados, agentes, beneficiarios, predecesores en interés, sucesores, cesionarios y proveedores; las referencias a “conflicto” o “reclamación” incluirán cualquier conflicto, reclamo o controversia de cualquier tipo, sin importar (ya sea basado en contrato, agravio, estatuto, regulación, ordenanza, fraude, falsa representación o cualquier teoría legal o equitativa) que surja de o esté relacionada con cualquier forma de venta, condición o desempeño del producto o de esta Garantía Limitada.

Aviso de disputa. En caso de que usted desee iniciar un procedimiento de arbitraje, primero debe notificar a LG por escrito al menos 30 días antes de iniciar el arbitraje enviando una carta a LG a LG Electronics, USA, Inc. Atención: Legal Department- Arbitration 111 Sylvan Avenue, Englewood Cliffs, NJ 07632. Usted y LG aceptan participar en discusiones de buena fe en un intento de resolver su reclamo de manera amistosa. En la carta debe proporcionar su nombre, dirección y número de teléfono; identificar el producto que es objeto de la reclamación; y describir la naturaleza del reclamo y el remedio que busca. Si usted y LG no pueden resolver la disputa dentro de 30 días, cualquiera de las partes puede proceder a presentar una demanda de arbitraje.

Acuerdo de arbitraje vinculante y renuncia de demanda colectiva. En caso de no resolver la disputa durante el período de 30 días después de enviar una notificación por escrito a LG, Usted y LG se comprometen a resolver cualquier reclamo entre nosotros, solamente a través de arbitraje vinculante sobre una base individual, a menos que usted se excluya, conforme a lo dispuesto a continuación. Cualquier conflicto entre usted y LG no estarán combinados o consolidados con una controversia relacionada con cualquier otro producto o reclamo de otra persona o entidad. Más específicamente y sin perjuicio de lo anterior, no procederá bajo ninguna circunstancia cualquier disputa entre usted y LG como parte de una acción colectiva o representativa. En lugar del arbitraje, cualquiera de las partes podrá iniciar una acción individual en la corte de reclamos menores, pero tales acciones en la corte de reclamos menores no podrán ser realizadas en una acción colectiva o representativa.

Normas y procedimientos de arbitraje. Para comenzar con el arbitraje de un reclamo, usted o LG deben realizar una demanda escrita para arbitraje. El arbitraje será administrado por la Asociación Americana de Arbitraje (AAA) y se llevará a cabo ante un árbitro único bajo las Normas de Arbitraje del Consumidor de la AAA, que tienen efecto al momento de inicio del arbitraje (en adelante “Normas de la AAA”) y bajo los procedimientos establecidos en esta sección. Las Normas de la AAA están disponibles en línea en www.adr.org/consumer. Envíe una copia de su solicitud de arbitraje por escrito, así como una copia de esta disposición, a la AAA de la forma descrita en las Normas de la AAA. También debe enviar una copia de su solicitud por escrito a LG en LG Electronics, USA, Inc. Atención: Legal Department- Arbitration 111 Sylvan Avenue, Englewood Cliffs, NJ 07632. Si hay un conflicto entre las Normas de la AAA y las reglas establecidas en esta sección, prevalecerán dichas reglas de esta sección. Esta disposición de arbitraje se rige por la Ley Federal de Arbitraje. El juicio se puede introducir en el laudo arbitral en cualquier tribunal de jurisdicción competente. Todos son temas para que el árbitro tome sus decisiones, excepto aquellos asuntos relativos al alcance y aplicabilidad de la cláusula de arbitraje y de la capacidad de arbitraje de la controversia para que el tribunal decida. El árbitro se regirá por los términos de esta disposición.

Legislación vigente. La legislación del estado de su residencia regirá esta Garantía Limitada, así como todas las disputas entre nosotros, salvo que sea invalidada o inconsistente con leyes federales aplicables.

Tarifas / Costos. Usted no debe pagar ninguna tarifa para comenzar un arbitraje. Al recibir su solicitud de arbitraje por escrito, LG pagará todos los gastos administrativos rápidamente a la AAA, a menos que usted solicite más de \$25,000.00 por daños, en cuyo caso el pago de estos gastos se regirá por las Normas de la AAA. Salvo disposición contraria prevista en el presente documento, LG pagará a la AAA todos los gastos documentales, administrativos y de arbitraje para cualquier arbitraje iniciado, de conformidad con las Normas de la AAA y esta disposición de arbitraje. Si usted prevalece en el arbitraje, LG pagará los honorarios y gastos de sus abogados, siempre y cuando sean razonables, considerando factores que incluyen, entre otros, el monto de la compra y el monto del reclamo. No obstante lo anterior, si la ley aplicable permite una adjudicación de honorarios y gastos razonables de abogados, un árbitro puede otorgarlos en la misma medida que lo haría un tribunal. Si el árbitro considera que la sustancia de su reclamo o la reparación solicitada en la demanda es frívola o se utiliza para un propósito inadecuado (calificado según las normas establecidas en la Norma Federal de Procedimiento Civil 11 (b)), el pago de todos los honorarios de arbitraje se regirá por las Normas de la AAA. En tal situación usted se compromete a reembolsar a LG todos los fondos erogados previamente por ella, cuyo pago es, por otra parte, su obligación, según las Normas de la AAA. Salvo disposición contraria, LG renuncia a cualquier derecho que pudiera tener para solicitarle los honorarios y gastos de sus abogados, si LG prevalece en el arbitraje.

Audiencias y ubicación. Si su reclamo es por \$25,000 o menos, usted puede optar que el arbitraje sea realizado únicamente sobre la base de: (1) documentos presentados al árbitro, (2) a través de una audiencia telefónica o (3) por una audiencia en persona, según lo establecido por las Normas de la AAA. Si su reclamo excede \$25,000, el derecho a una audiencia estará determinado por las Normas de la AAA. Cualquier audiencia de arbitraje en persona se realizará en un lugar dentro del distrito judicial federal en el cual reside, a menos que ambos acuerden otra ubicación o estemos de acuerdo con el arbitraje telefónico.

Exclusión. Usted puede quedarse fuera de este procedimiento de resolución de la disputa. Si se excluye, ni usted ni LG pueden solicitar al otro que participe en un procedimiento de arbitraje. Para excluirse usted debe enviar una notificación a LG, en un lapso de hasta 30 días continuos, contados a partir de la fecha de la primera compra del consumidor del producto, ya sea por: (i) el envío de un correo electrónico a optout@lge.com con el siguiente Asunto: "Exclusión del arbitraje" o (ii) llamada al 1-800-980-2973. Debe incluir en el correo electrónico de exclusión o suministrar por teléfono: (a) su nombre y dirección; (b) la fecha en la cual el producto fue comprado; (c) el nombre o el número del modelo del producto; y (d) el número del serial (el número del serial puede ser hallado (i) en el producto, o (ii) en la dirección de <https://www.lg.com/us/support/repair-service/schedule-repair-continued> al hacer clic en "Find My Model & Serial Number").

Sólo puede excluirse del procedimiento de resolución de conflictos en la forma descrita anteriormente (es decir, por correo electrónico o por teléfono); ninguna otra forma de notificación será efectiva para hacerlo. Excluirse de este procedimiento de resolución de controversias no afectará de ninguna manera la cobertura de la Garantía Limitada, por lo que usted continuará disfrutando de todos sus beneficios. Si conserva este producto y no se excluye, usted acepta todos los términos y condiciones de la cláusula de arbitraje descrita anteriormente.



LG Customer Information Center

For inquiries or comments,
visit www.lg.com or call:

1-800-243-0000

U.S.A.

1-888-542-2623

CANADA

Register your product Online!

www.lg.com