







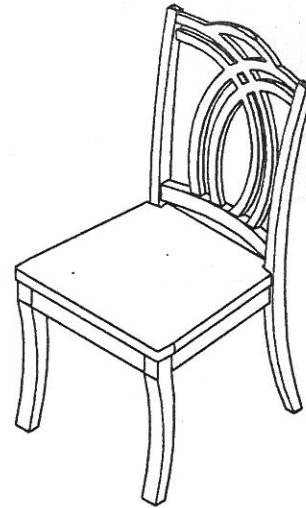
ASSEMBLY INSTRUCTION

3160SC

Before you begin ,Please follow Assembly Instruction carefully ,Then follow them step by step.

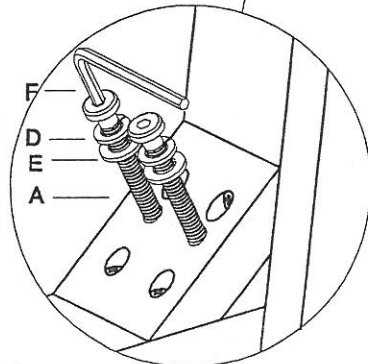
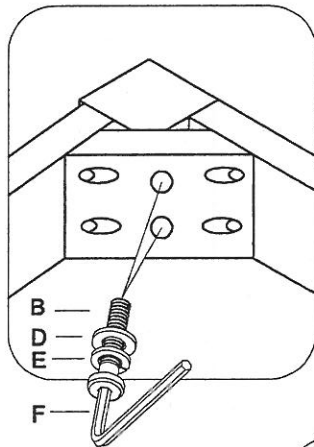
HARDWARE LIST

NO	DESCRIPTION	QTY
A	$\frac{1}{4}$ "x76mm JCBC BOLT 	4 PCS
B	$\frac{1}{4}$ "x50mm JCBC BOLT 	4 PCS
C	$\frac{1}{4}$ "x40mm JCBC BOLT 	2PCS
D	SPRING WASHER 	10 PCS
E	FLAT WASHER 	10 PCS
F	ALLEN KEY 	1 PC

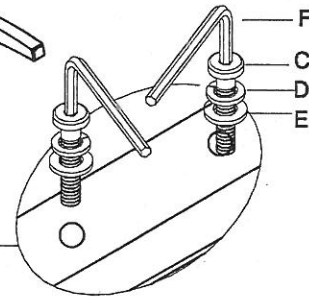
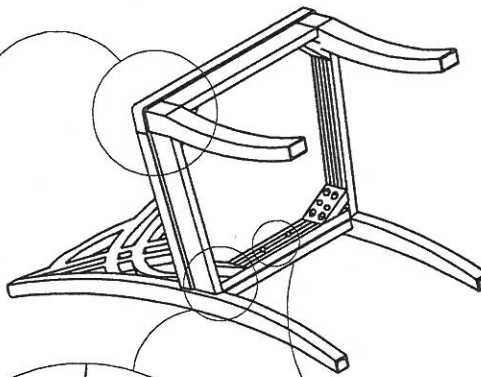


FULLY SET UP

TEP 3



TEP 2



TEP 1