

# REF36FDFIXNV

REFRIGERATOR 36" FREESTANDING FRENCH DOOR  
STAINLESS STEEL FINISH



Energy Star rated refrigerator with 22.5 cu.ft capacity to handle the preservation needs of a large family.

Precise temperature and humidity control provided by dual air-cooling flow with independent no-frost system for refrigerator and freezer compartments.

Full-width temperature-controlled refrigeration drawer. Dual humidity-controlled crispers to store and preserve separately fruit, vegetables and other produce. Gallon-size door bins for practical organization of jars, cans, bottles and other quick reach items. Foldable top shelf for storage of taller items in the refrigerator compartment.

Automatic ice-maker with automatic release and removable tray. Super Freeze cycle option for 20% faster freezing performance.

Digital LED touch interface with user-friendly controls for temperature, super cool, super freeze and ice maker.

Overhead and sidewall LED lighting for clearer illumination.

Flat front stainless steel finish doors.

Choose Professional, Master or Heritage Series handle kit to match your other Bertazzoni kitchen appliances. Purchase Décor Sets to personalize your Heritage Series handles (2 units per set needed).

2 years parts & labor warranty.

## PRODUCT FEATURES

Size	W 36"
Volume	Ref 15.9 cu.ft / Frz 6.6 cu.ft
Door finish	Stainless steel look
User interface	Internal digital LED touch interface
Lighting	Top and sidewall LED lights
Refrigerator shelves	1 fixed and 4 height-adjustable, of which 1 retractable
Refrigerator crispers	1 large with preset temperature + 2 medium with adjustable humidity
Freezer compartment	2 drawers
Door storage	6 gallon sized bins
Ice maker	Automatic ice maker 3.08 lbs / 24h
Settings	Super cool, Super freeze, Ice maker

## TECHNICAL SPECIFICATIONS

Electrical supply	115 V 60 HZ - 190 W - 2.5 Amp
Power connection	NEMA 5-15P with 67" power cord
Sound rating	45 dbA
Water connection	1/4" waterline with shut-off valve
Water supply pressure	MIN 0.15 MPa (1.5 Bar, 21.32 PSI) MAX 0.83 MPa (8.3 Bar, 120.96 PSI)
Energy consumption	588.0 kwh/yr
Certification	CEC, UL
Warranty	2 years parts & labor
Packaging dimensions	W 38 3/16" H 72 7/16" D 30 9/16"
Weight	298.0 lbs

## ACCESSORIES

HK36PROFDX	Handle Kit - Professional Series
HK36MASFDX	Handle Kit - Master Series
HK36HERFDX	Handle Kit - Heritage Series
DS2HERTSB	Décor Set 2 - Matt Satin Black finish
DS2HERTPC	Décor Set 2 - Polished Copper finish
DS2HERTGO	Décor Set 2 - Gold finish
BHFDX	Bottle holder



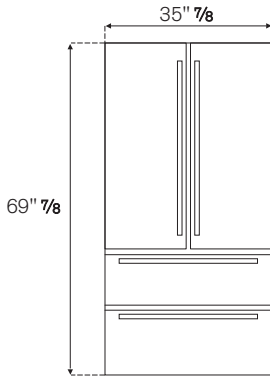
AIM YOUR CAMERA HERE

# REF36FDFIXNV

REFRIGERATOR 36" FREESTANDING FRENCH DOOR  
STAINLESS STEEL FINISH



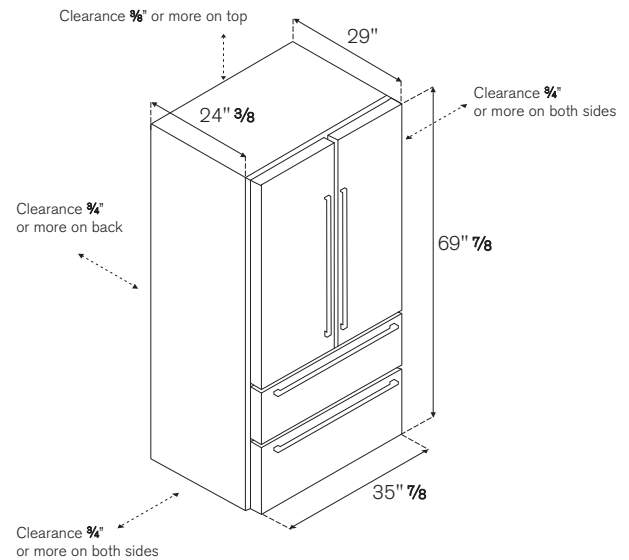
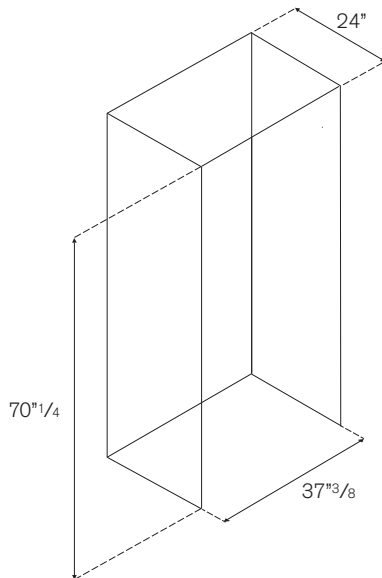
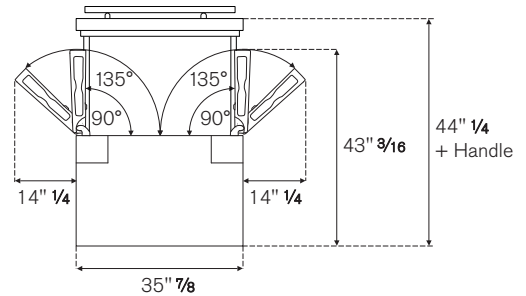
FRONT



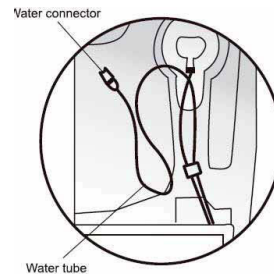
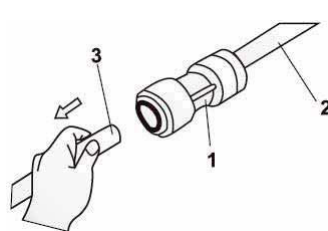
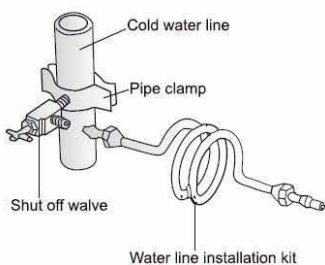
SIDE



TOP



**WATER LINE INSTALLATION KITS:** Available at extra cost from your dealer



## ELECTRICAL CONNECTION:

A properly-grounded, electrical receptacle should be installed. A separate circuit breaker servicing only this appliance is recommended. Do not use a multi-purpose socket with other electrical appliances.

**CONNECT WATER VALVE:** Connect water supply line to water valve with accessible shutoff valve. Connect water line to refrigerator using installation kit. Kit includes one water tube and connector. Second water tube not supplied. Connect first water tube [2] into corresponding hole of water connector[1].