



Stainless Frame



Integrated Frame



Integrated Solid

Additional Options

- Accessory panels are designed for easy installation on Integrated models
- Stainless lock model available



Stainless Handleless Panel



Stainless Lock Model

Key Features

- **Industry Exclusive: Full-depth lower interior maximizes storage options**
- **Industry Leading: Variable speed compressor delivers maximum energy efficiency, faster temperature response, and quieter operation**
- Stainless steel interior
- Stainless steel cabinet, toe kick, and accents
- U-Adjust™ Interior: 17 adjustable positions
- Six removable, full-extension wine racks
- Wine racks accommodate a variety of bottle shapes and sizes and can be configured to store champagne and magnum bottles
- Convection cooling system provides a quick cool down and consistent temperature
- Independently controlled dual-zones
- Temperature range: (upper) 38°F - 65°F; (lower) 38°F - 65°F

- Adjustable bright white or blue LED lighting
- Soft close door with articulating hinge
- Volume of 5.1 cu ft holds up to 49 wine bottles (750 ml)
- Digital touch pad control with blue LED display
- Stainless steel handle (7/8" diameter)
- Integrated model requires 3/4" custom door panel and handle (not supplied by U-Line)
- Field reversible door is shipped right-hand hinged
- Built-in or freestanding
- Four adjustable leveling legs

Model Details

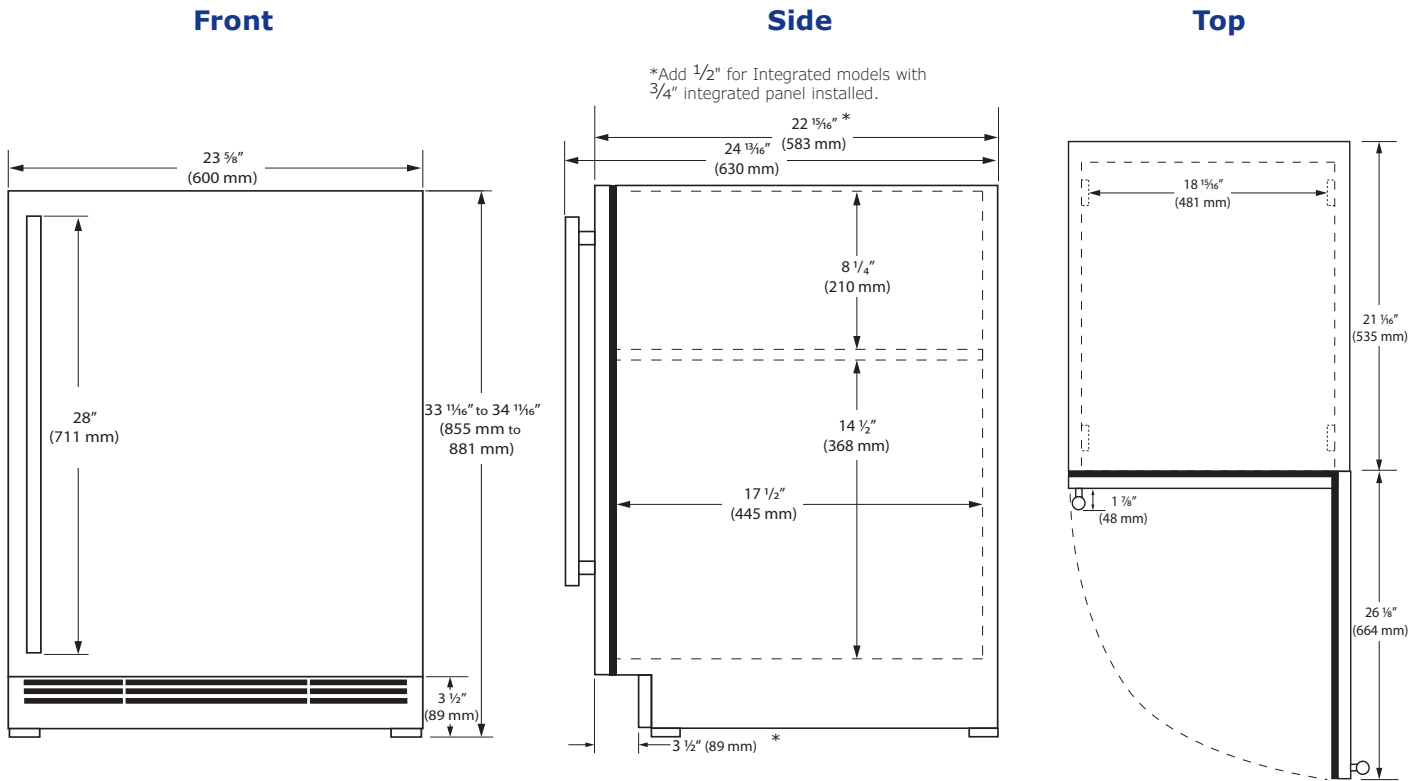
Model	Voltage/Hz	Door Swing	Finish	Shipping Weight
UHWD524-SG01A	115 / 60	Field Reversible	Stainless Frame	158 lb
UHWD524-SG41A	115 / 60	Right-Hand Hinged	Stainless Frame (with lock)	159 lb
UHWD524-SG51A	115 / 60	Left-Hand Hinged	Stainless Frame (with lock)	159 lb
UHWD524-IG01A	115 / 60	Field Reversible	Integrated Frame	153 lb
UHWD524-IS01A	115 / 60	Field Reversible	Integrated Solid	147 lb

Accessories

Model	Description	Finish	Shipping Weight
ULAGRILLE24	Adjustable Grille (Accepts Integrated Panel)	Black	3 lb
ULASHP24FRAME*	Stainless Handleless Panel Frame	Stainless	10 lb
ULASHP24SOLID*	Stainless Handleless Panel Solid	Stainless	15 lb

*Installs on integrated models.

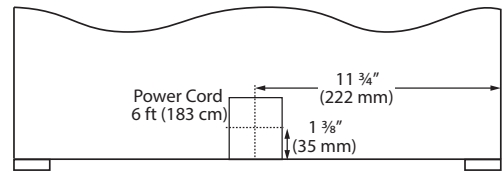
HWD524 • 24" Dual-Zone Wine Captain • 5 Class



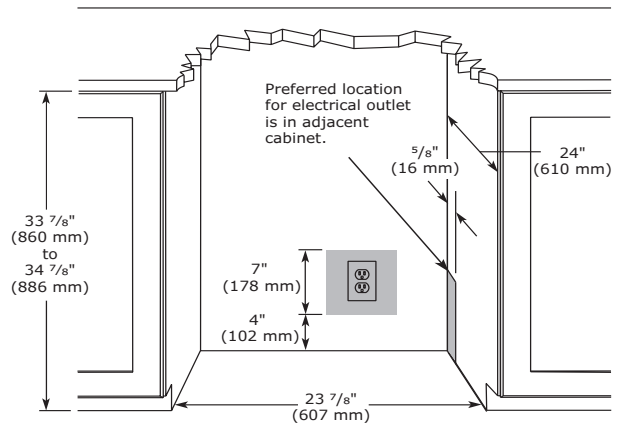
Specifications

Model	HWD524
Amps: Running	1.2
Capacity: Bottle (12 oz)	N/A
Capacity: Can (12 oz)	N/A
Capacity: Volume (cu ft)	5.1
Capacity: Wine Bottle (750 ml)	49
Dimensions: Product Depth	22 15/16" / 583 mm
Dimensions: Product Height (Min.)	33 1/16" / 855 mm
Dimensions: Product Width	23 5/8" / 600 mm
Energy Consumption: Avg. Per Year	195 kWh
Product Weight: Max	147 lb
Refrigerant Type:	R600a
Sabbath (Star K Certified)	Yes
Temperature Range (upper)	38°F - 65°F
Temperature Range (lower)	38°F - 65°F

Back



Cabinet Cut-Out



Warranty

- 2 Year (parts & labor) / 5 year sealed system (parts)
- + **Additional 1 Year (parts & labor) warranty at no cost with product registration**

See complete warranty for details



Installation Notes

- No additional clearance is needed for ventilation
- Do not obstruct front grille air flow



Please visit u-line.com to view this model's User Guide & Service Manual. All Specifications are subject to change without notice.