

# 24-Inch Wine Column



**DRW24980LAP/DA** — Panel ready, left hinge  
**DRW24980RAP/DA** — Panel ready, right hinge

## Features & Benefits

- 3 independent temperature zones
- 3 internal and 1 external humidity sensors
- Argon-filled triplex glass with UV/IR coating
- 3 clean air filters
- Anti-vibration mounted compressor
- SteelCool™ full stainless steel interior
- LED 3D Lighting
- Push-to-Open Door
- Glass-Touch Control panel with SmartThings Wi-Fi connectivity
- R600a refrigerant
- Panel ready

## Weights & Dimensions

<b>NET WEIGHT (LBS)</b>	416
<b>SHIPPING WEIGHT (LBS)</b>	477.5
<b>PRODUCT DIMENSIONS (W X H X D IN INCHES)</b>	23 3/4 x 83 3/8 x 25
<b>FLUSH CUTOUT REQUIRED (W X H X D IN INCHES)</b>	24 x 84 x 25

## Technical Details

<b>ELECTRICAL REQUIREMENTS</b>	120V, 60 Hz, 15A
--------------------------------	------------------

## Warranty

<b>FULL COVERAGE</b>	2 years
----------------------	---------

## Controls

<b>WI-FI SMARTTHINGS</b>	Yes
<b>SABBATH MODE</b>	Yes

## Features

<b>PUSH-TO-OPEN</b>	Yes
<b>DEODORIZING FILTER</b>	Yes
<b>LED LIGHTING</b>	3D Lighting
<b>INTERIOR MATERIAL</b>	SteelCool™ (Full stainless steel walls)
<b>FULL WIDTH SHELVES</b>	11 glideracks
<b>SHELF MATERIAL</b>	Oak wood, metal trim
<b>PRESENTATION SHELF</b>	Yes
<b>GLASS DOOR</b>	Triple-pane, Argon-filled (UV/IR-resistant)
<b>ANTI-VIBRATION COMPRESSOR MOUNT</b>	Yes
<b>HUMIDITY SENSORS</b>	3 interior (1 per zone), 1 exterior
<b>DOOR ALARM</b>	Yes

## Refrigerator

<b>CAPACITY (BOTTLES)</b>	100
<b>ZONES</b>	3
<b>TEMPERATURE RANGE</b>	40°F to 65°F
<b>TRIPLE COOLING</b>	Yes, with 3 evaporators

## Accessories (Optional)

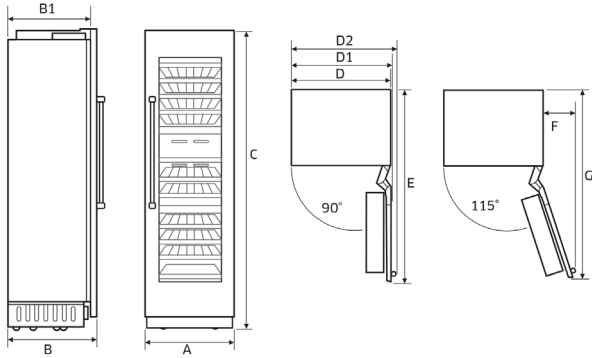
<b>RAW24AMLHSR/DA</b>	24" Wine Column panel kit, Silver Stainless, left
<b>RAW24AMRHSR/DA</b>	24" Wine Column panel kit, Silver Stainless, right
<b>RAW24AMLHMS/DA</b>	24" Wine Column panel kit, Graphite Stainless, left
<b>RAW24AMRHMS/DA</b>	24" Wine Column panel kit, Graphite Stainless, right
<b>RACOOTCAAAA</b>	Install kit for triple Column Built-In refrigeration
<b>RACOOCFAAAA/DA*</b>	Install kit to pair Column Built-In Refrigeration
<b>RACOODFAAAA/DA</b>	Air filter for refrigeration DRF/DRR/DRW, set of 6

\*2x needed for triple install.

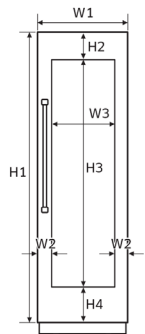
# 24-Inch Wine Column



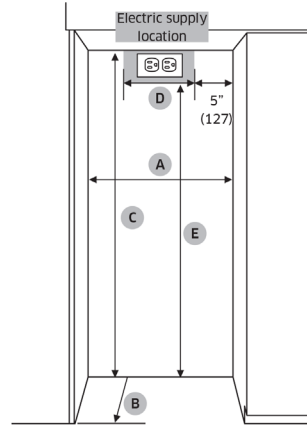
## Product Dimensions



Callout	24"
A	23 3/4" (603 mm)
B (With Panel)	25" (635 mm)
B1 (Without Panel)	23 13/16" (605 mm)
C	83 3/8" (2118 mm)
D	23 5/8" (600 mm)
D1	24 7/8" (631 mm)
D2	27 9/16" (701 mm)
E	50 3/4" (1289 mm)
F	13 11/16" (348 mm)
G	49 11/16" (1261 mm)



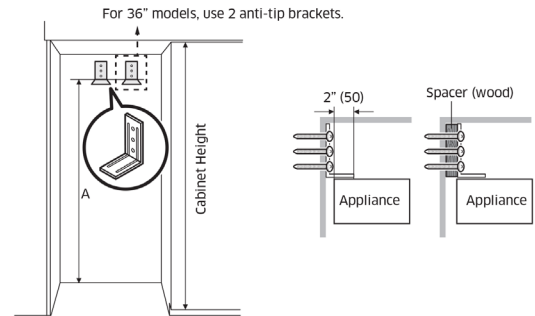
Callout	24"
W1	23 3/4" (603 mm)
W2	3 9/32" (83.5 mm)
W3	17 5/32" (436 mm)
H1	79 7/8" (2029 mm)
H2	7 23/32" (196 mm)
H3	62 25/32" (1594.5 mm)
H4	9 3/8" (238.5 mm)
Panel Thickness	3/4" (19 mm)
Max Weight	55.0 lb (25 kg)



- A : Cabinet Width
- B : Cabinet Depth
- C : Cabinet Height
- D : Electrical supply width location
- E : Electrical supply height location

Callout	24"
A	24" (610 mm)
B	25" (635 mm)
C	84" (2134 mm)
D	14" (356 mm)
E	80" (2032 mm)

- B : Includes the standard door panel thickness with 3/4".
- Installation inside a cabinet of this width allows the wine cellar trim to be attached directly to the surrounding cabinets.



Option	Cabinet height	A
1	83 1/2" (2121 mm)	79 13/32" (2017 mm)
2	83 3/4" (2127 mm)	79 5/8" (2023 mm)
3	84" (2134 mm)	79 7/8" (2030 mm)
4	84 1/4" (2140 mm)	80 1/8" (2036 mm)