

DAR 1250-3

48-inch wall-mounted ventilation hood
for perfect combination with Ranges and Rangetops.



- Professional design – stainless steel hood, 48 (1218) in (mm) wide
- Perfect illumination – LED ClearView lighting
- Dishwasher-safe – 4 high-quality stainless steel grease filters
- Safe and easy to clean – Miele CleanCover
- Auto-vent safety sensor – protects against overheating

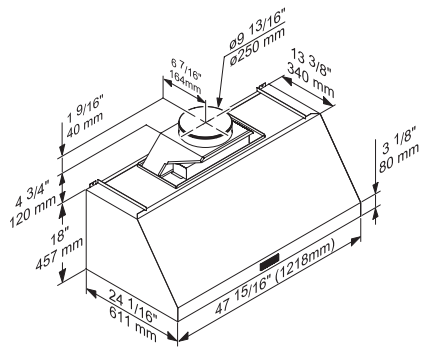
EAN: 4002516546955 / Material number: 11898190 /
Old Material Number: 28125051USA

General information	
Model number	DAR 1250-3
Manufacturer material number	11898190
EAN number	4002516546955
Design	
Wall ventilation hood	•
Required accessories	
Blower	•
Duct cover	•
Operating modes	
Recirculated mode	Exhaust air
External operation possible	•
User convenience	
Rotary knob	•
Temperature sensor	•
Power levels (number excl. Intensive)	3
CleanCover	•
Cleaning convenience	
Dishwasher-safe grease collection channel	•
Filter system	
Number of dishwasher-safe stainless steel baffle filters	4
Lighting	
Number x W	4 x 3 W
Fan option (buy separately)	
DRIB XXL internal blower in CFM (m ³ /h)	1869
DREB XXL external blower in CFM (m ³ /h)	1869
Technical data	
Canopy width in in.(mm)	48 (1218)
Canopy width in inches	47 15/16
Canopy height in in.(mm)	18 (457)
Canopy depth in in.(mm)	24 1/8 (611)
Net weight in lbs. (kg)	106 (48.0)
Length of electrical wire in ft (m)	2 (0.8)
Standard plug fitted	•
Number of phases	1
Total connected load in kW	0.81
Voltage in V	120
Fuse rating in A	15
Installation note	
Vent connection at top	•
Diameter of vent connection in in.(mm)	9 7/8 (250)
Standard accessories	
Non-return flap	•

DAR 1250-3

48-inch wall-mounted ventilation hood

for perfect combination with Ranges and Rangetops.



DAR1250 (Installations drawing)

1) Installation area