

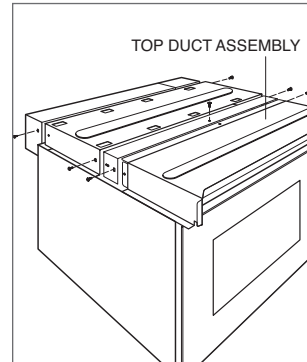
CONVECTION MICROWAVE CONTENTS

| | |
|----|--|
| 1 | Assembly, frame |
| 1 | Trim, door (stainless steel models only) |
| 12 | Screw |
| 4 | Stud, ball |
| 4 | Insert, threaded |
| 3 | Assembly, duct (bottom, rear and top) |
| 1 | Template |

STANDARD MICROWAVE CONTENTS

| | |
|---|--|
| 1 | Assembly, frame |
| 1 | Trim, door (stainless steel models only) |
| 2 | Screw |
| 4 | Stud, ball |
| 4 | Insert, threaded |
| 1 | Assembly, duct (bottom) |
| 1 | Template |

- 3 Position the three remaining duct pieces on top of the microwave to create the top duct assembly. Secure each piece with two screws (one per side). Insert one screw in the top section. Refer to the illustration below.

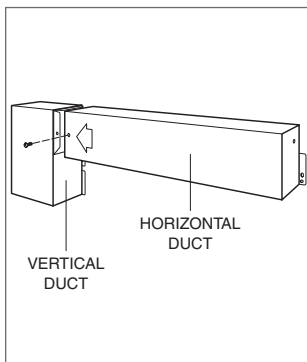


Attach top duct assembly.

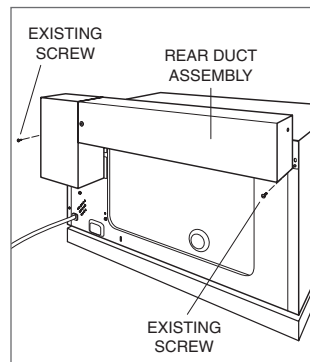
DUCT INSTALLATION (CONVECTION ONLY)

For standard microwaves skip to step 4.

- 1 Insert the horizontal duct piece into the vertical piece to create the rear duct assembly. Secure with one screw. Refer to the illustration below.
- 2 Remove the existing screws from the upper right and left rear of the microwave. Position the rear duct assembly on the microwave and re-insert screws as shown in the illustration below.



Assemble rear duct.



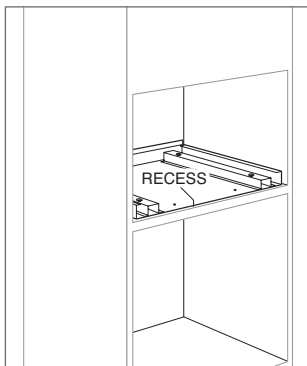
Attach rear duct assembly.



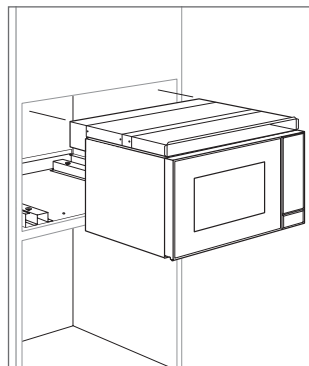
- 4 Install the bottom duct assembly. The duct must be recessed back from the front edge of the opening and offset to the right or left depending on the trim being installed. The 'LEFT' and 'RIGHT' dimensions are from the center line of the opening. Refer to the chart below. Pre drill pilot holes and secure the duct using two screws.

| DUCT ASSEMBLY OFFSET | | | |
|----------------------|--------|-------|-------|
| CONVECTION | RECESS | LEFT | RIGHT |
| Stainless Trim | 3/4" | 9/16" | - |
| Black Trim | 3/4" | - | 3/8" |
| STANDARD | RECESS | LEFT | RIGHT |
| Stainless Trim | 1/8" | 1" | - |
| Black Trim | 1/8" | - | 3/8" |

- 5 Place the microwave as close to the cabinet opening as possible and plug the power cord into a properly grounded electrical outlet.
- 6 Guide the microwave into the opening and push back. Align the feet on the microwave with the bottom duct.

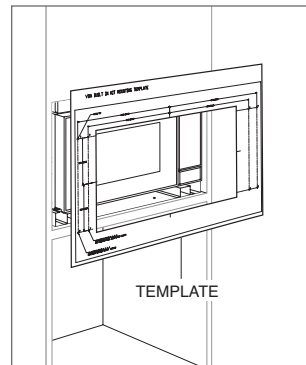


Install bottom duct.

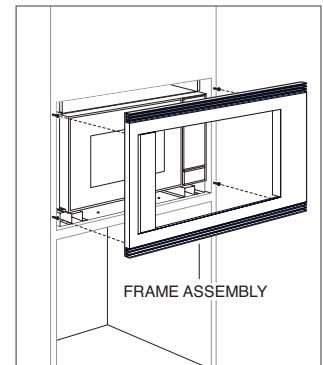


Install microwave.
(Convection microwave shown)

- 7 Align the template with the opening and pre-drill four 3/16" holes, then install threaded inserts. Verify the insert is aligned with the cabinet face. Do not to overtighten.
- 8 Install the ball studs into the threaded inserts but do not overtighten. Align the frame assembly with the opening and press firmly to engage the ball studs.
- 9 For stainless steel models only, attach the door trim provided by removing the paper backing from the tape and aligning the bent flange with the left side of the door. Press firmly to apply.



Align template.



Attach assembly.