



BEVERAGE CHILLER ACCESSORY

BC1-25AC models

USER/INSTALLATION GUIDE

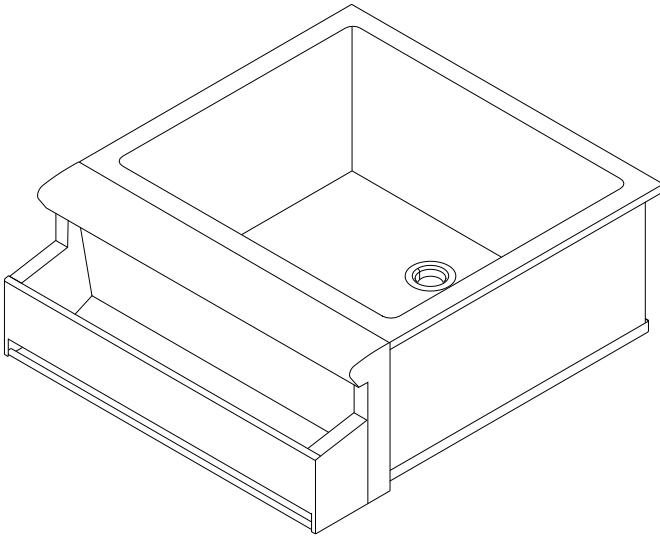
US CA

CONTENTS

Introduction	3
Safety and warnings	4
Product dimensions	5
Cutout dimensions	6
Attach the bottle holder to unit	8
Secure product into cutout	9
Final checklist	10

INTRODUCTION

An ultimate entertainer's feature, the 25" DCS Beverage Chiller is a deep, fully insulated compartment that can hold up to 17 gallons of ice to chill your refreshments. The Accessory, designed to house 1-liter bottles, can be installed at the front of your Beverage Chiller, freeing it up to be used as an outdoor sink.



SAFETY AND WARNINGS

⚠ WARNING!



Cut Hazard

Failure to use caution could result in injury or cuts.

- Take care - panel edges may be sharp.

⚠ WARNING!



Crush Hazard

Failure to use caution could result in injury or cuts.

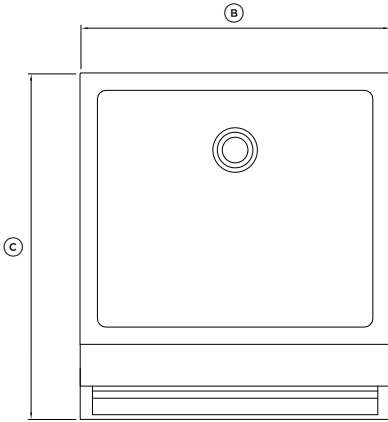
- Closing drawers may cause injury to your hands or fingers.
- Always close or open drawers using handles.
- Be sure to keep hands away from drawer edges when opening or closing drawers.

WARNING!

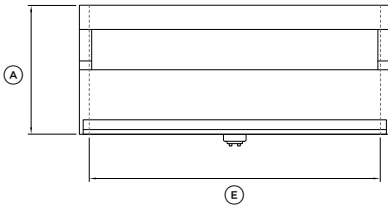
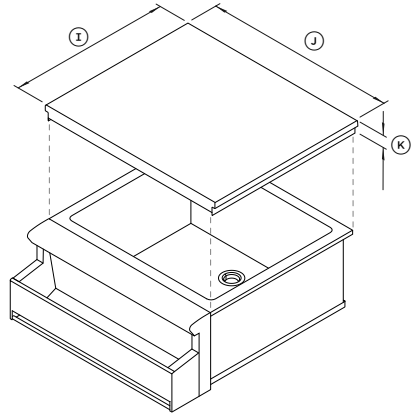
To reduce the risk of injury to persons or damage when using the appliance, follow the important safety instructions listed below. Read all the guidance before using the appliance.

- Do not repair or replace any part of the appliance unless specifically recommended in the user guide. All other servicing should be undertaken by a Fisher & Paykel trained and supported service technician or qualified person.
- Do not remove permanently affixed labels, warnings, or plates from the product. This may void the warranty.
- Please leave these instructions with the appliance.
- Do Not store or use gasoline or other flammable vapors and liquids inside or in the vicinity of this or any other appliance.
- Never store a spare LP cylinder inside or near this unit.

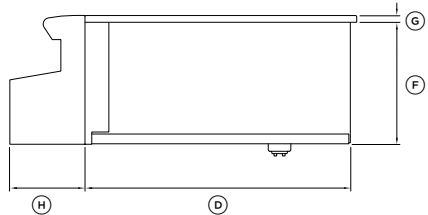
PRODUCT DIMENSIONS



PLAN



FRONT



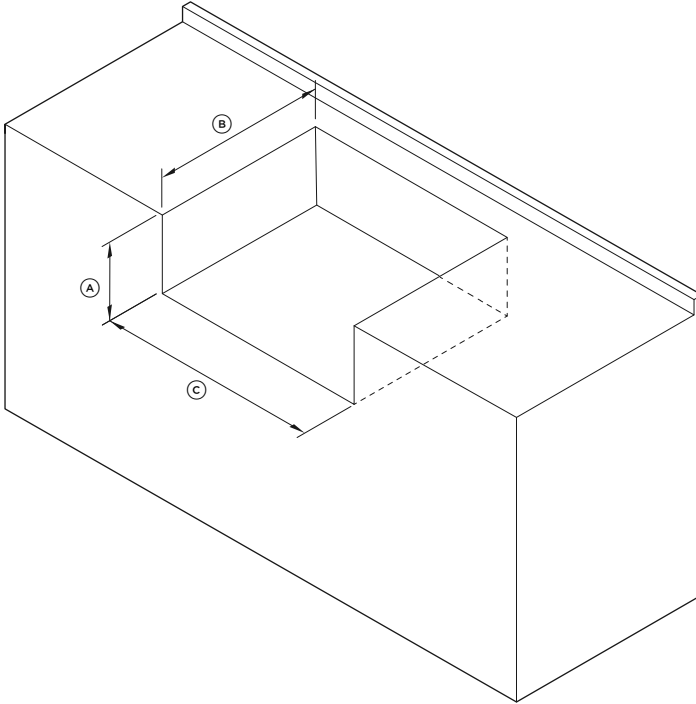
PROFILE

PRODUCT DIMENSIONS	BC1-25AC MODELS	
	INCHES	MM
Ⓐ Overall height	10 3/8	263
Ⓑ Overall width	25 1/16	637
Ⓒ Overall depth (beverage chiller + bottle holder)	28	711
Ⓓ Depth of beverage chiller chassis	21 1/16	535
Ⓔ Width of beverage chiller chassis	24 1/8	613
Ⓕ Height below countertop	9 13/16	249
Ⓖ Height of surface above countertop	9/16	14
Ⓗ Depth from bottle holder to front of chiller	6 1/16	154
Ⓘ Depth of lid	22 1/8	562
Ⓙ Width of lid	26 5/16	669
Ⓚ Height of lid	1 11/16	43

CUTOUT DIMENSIONS

With bottle holder

Ensure the base of the cavity is level, square and able to support the weight of the product when full. Any cabinet and/or ground preparation must be completed prior to installation and all support structures must be constructed of materials resistant to moisture damage.

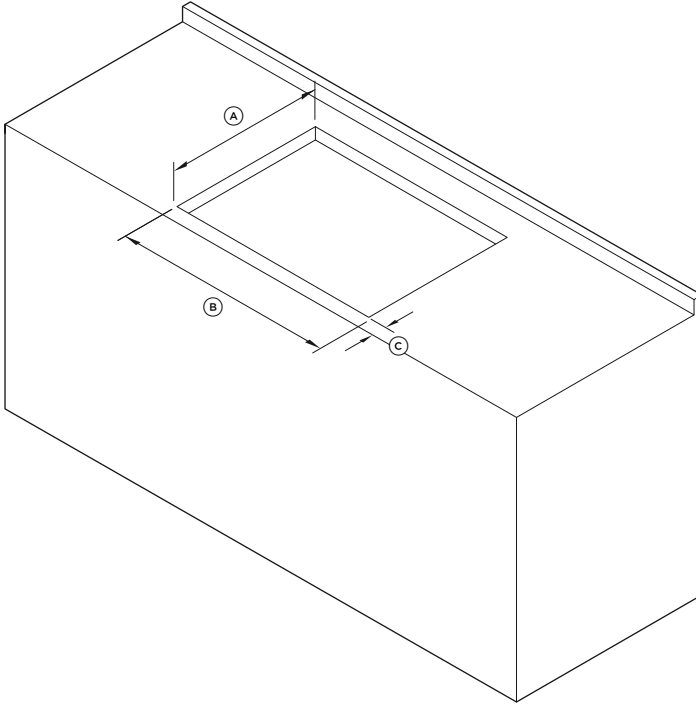


CUTOUT DIMENSIONS	BC1-25AC MODELS	
	INCHES	MM
Ⓐ Height of cutout	9 13/16	250
Ⓑ Depth of cutout	21 5/8	550
Ⓒ Width of cutout	24 3/16	615

CUTOUT DIMENSIONS

Without bottle holder

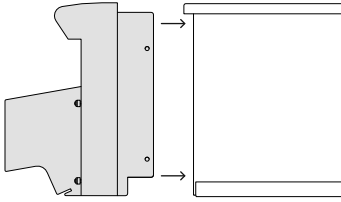
Ensure the base of the cavity is level, square and able to support the weight of the product when full. Any cabinet and/or ground preparation must be completed prior to installation and all support structures must be constructed of materials resistant to moisture damage.



CUTOUT DIMENSIONS	BC1-25AC MODELS	
	INCHES	MM
(A) Depth of cutout	21 1/16	535
(B) Width of cutout	24 3/16	615
(C) Min. distance from front of countertop to cutout	9/16	15

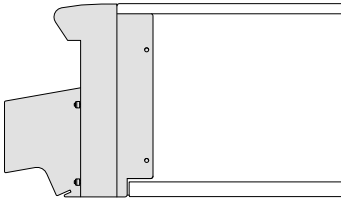
ATTACH THE BOTTLE HOLDER TO UNIT

1



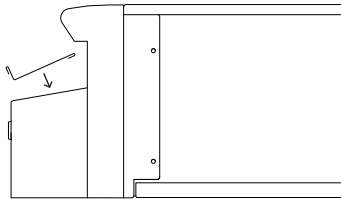
Align the bottle holder onto the front of the Beverage Chiller.

2



Attach the bottle holder to the Beverage Chiller using the screws provided.

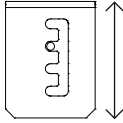
3



Fit the drip tray to the bottom of the holder.

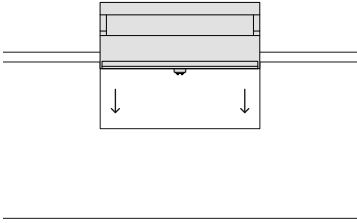
SECURE PRODUCT INTO CUTOUT

1



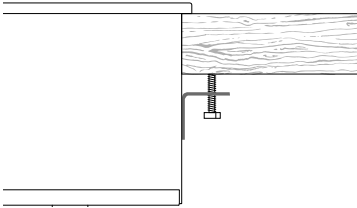
Locate the mounting holes on each side of the beverage chiller and screw in the provided mounting clamps at the appropriate level for the counter-top.

2



Lower the chiller into the cutout, ensuring the drain outlet is accessible.

3



Secure the beverage chiller into place by tightening the clamping screws against the counter-top on all sides.

The Beverage Chiller should be connected to a permanent waste drainage system.
Connection: 1-1/2" NPS male thread.

Connection must be carried out by a certified plumber in accordance with local codes and regulations.

FINAL CHECKLIST

Read all installation instructions in this manual to see if the unit has been correctly installed. Ensure that installation has been completed correctly before use.

- Are products secure and level within the enclosure?
- Are the clamping brackets installed correctly?
- All internal packaging and any adhesive residue has been removed?
- Have all the suitable plumbing connections been checked?
- Have all warning labels been removed and supplied to customer for future reference?

Complete and keep for safe reference:

Mode _____

Serial No. _____

Purchase Date _____

Purchaser _____

Dealer _____

Suburb _____

Town _____

Country _____

DCSAPPLIANCES.COM

© Fisher & Paykel Appliances 2019. All rights reserved.

The product specifications in this document apply to the specific products and models described at the date of issue. Under our policy of continuous product improvement, these specifications may change at any time. You should therefore check with your Dealer to ensure this booklet correctly describes the product currently available.

US CA

592077A 11.19