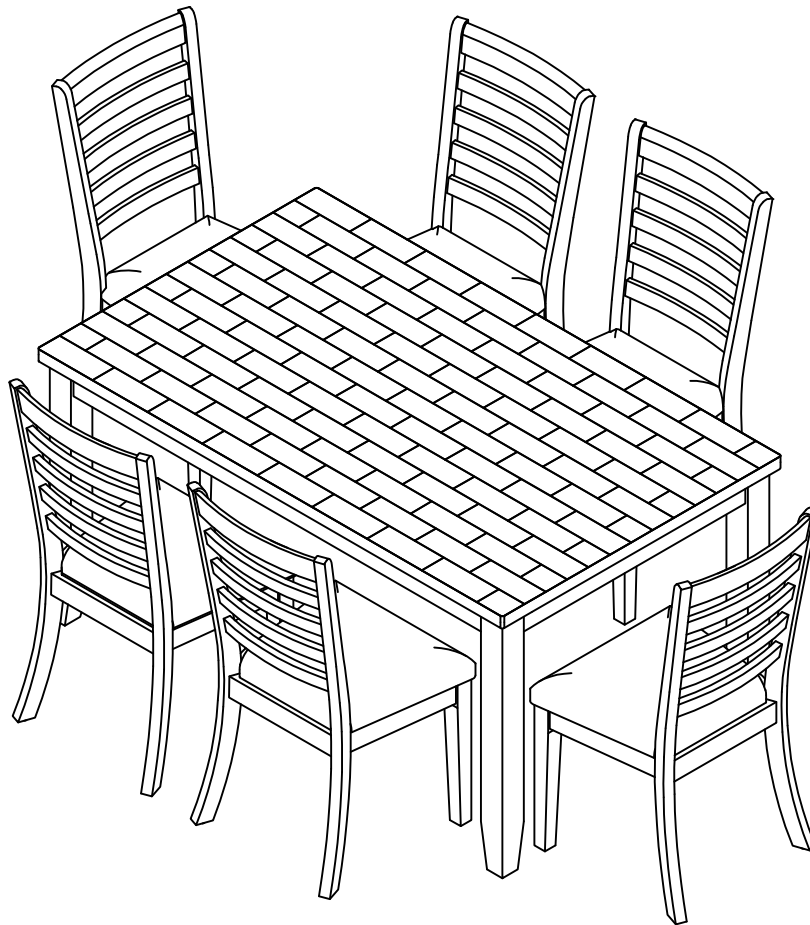




**TM3110T-7PK (60751-57-01)**

**TM3103T-7PK (60751-57-02)**



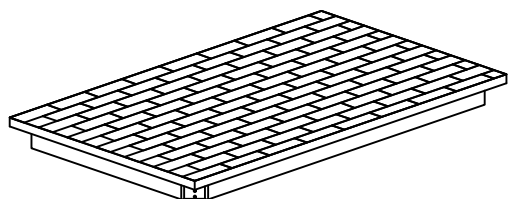
## **ASSEMBLY INSTRUCTIONS**

**INDOOR DINING TABLE  
INDOOR DINING CHAIR**

# PARTS |

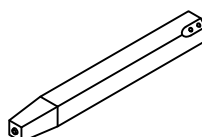
Check that you've received all parts listed below.

A



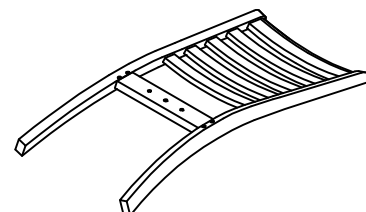
(1 pc)

B



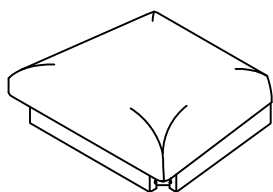
(4 pcs)

C



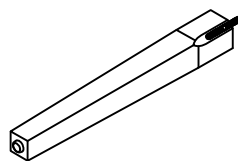
(6 pcs)

D



(6 pcs)

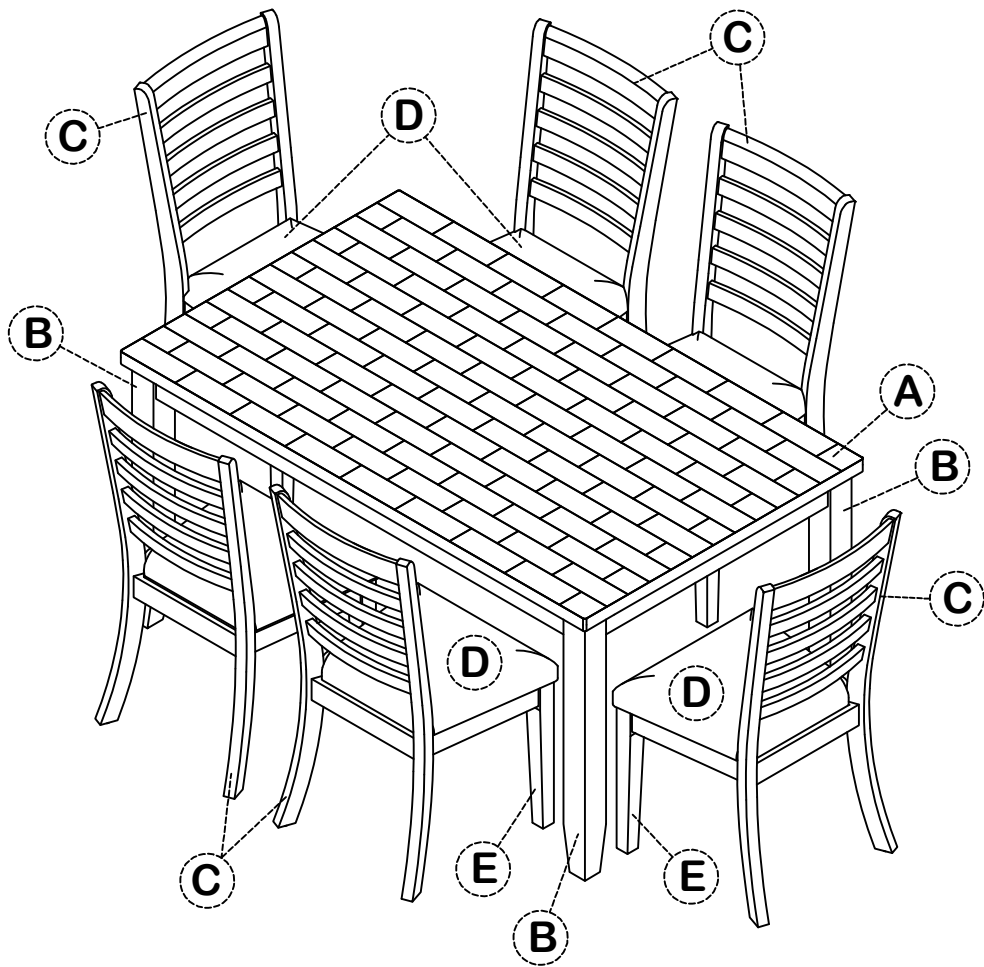
E

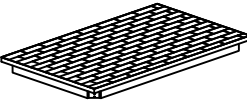
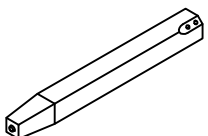
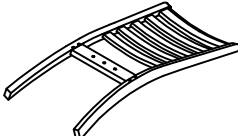
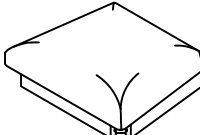
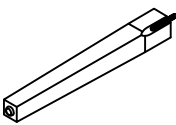


(12 pcs)

Hardware



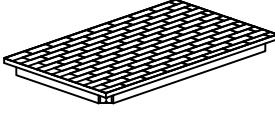
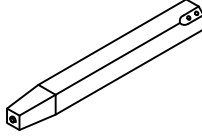


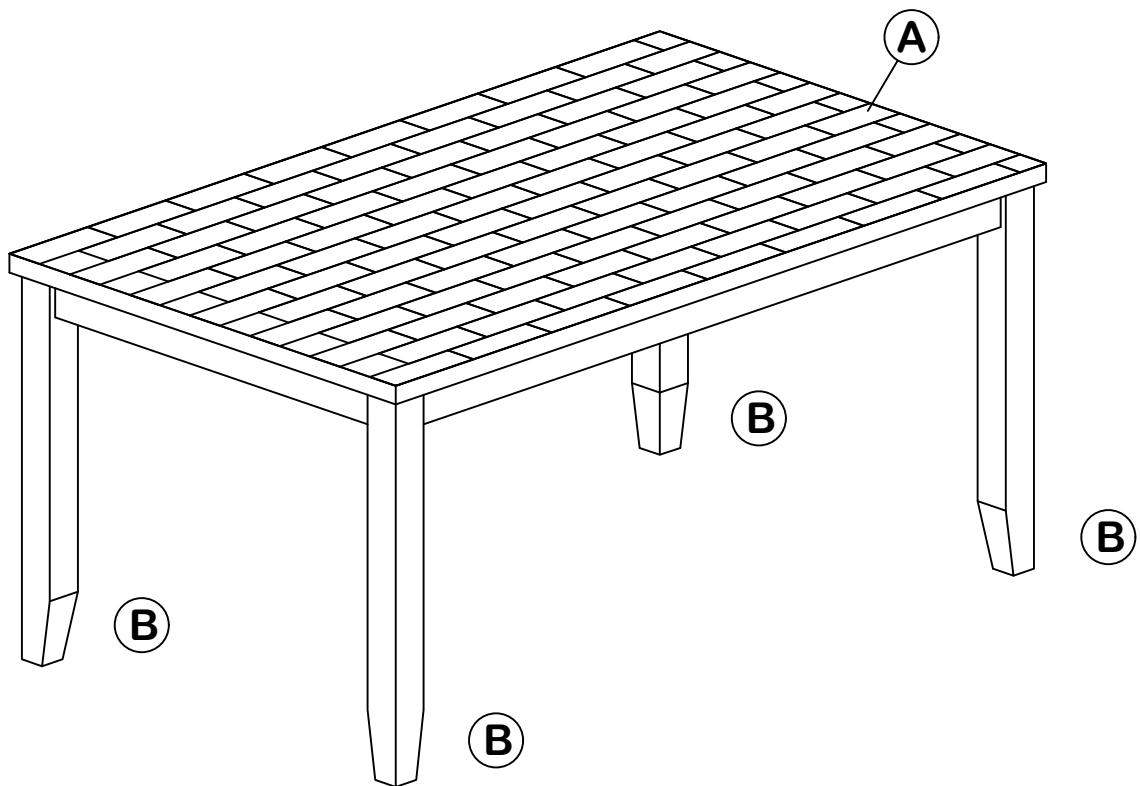
A	B	C	D	E
				
1 pc	4 pcs	6 pcs	6 pcs	12 pcs

# PARTS

Check that you've received all parts listed below.

## ASSEMBLY INSTRUCTIONS INDOOR DINING TABLE





A	B
	
1 pc	4 pcs



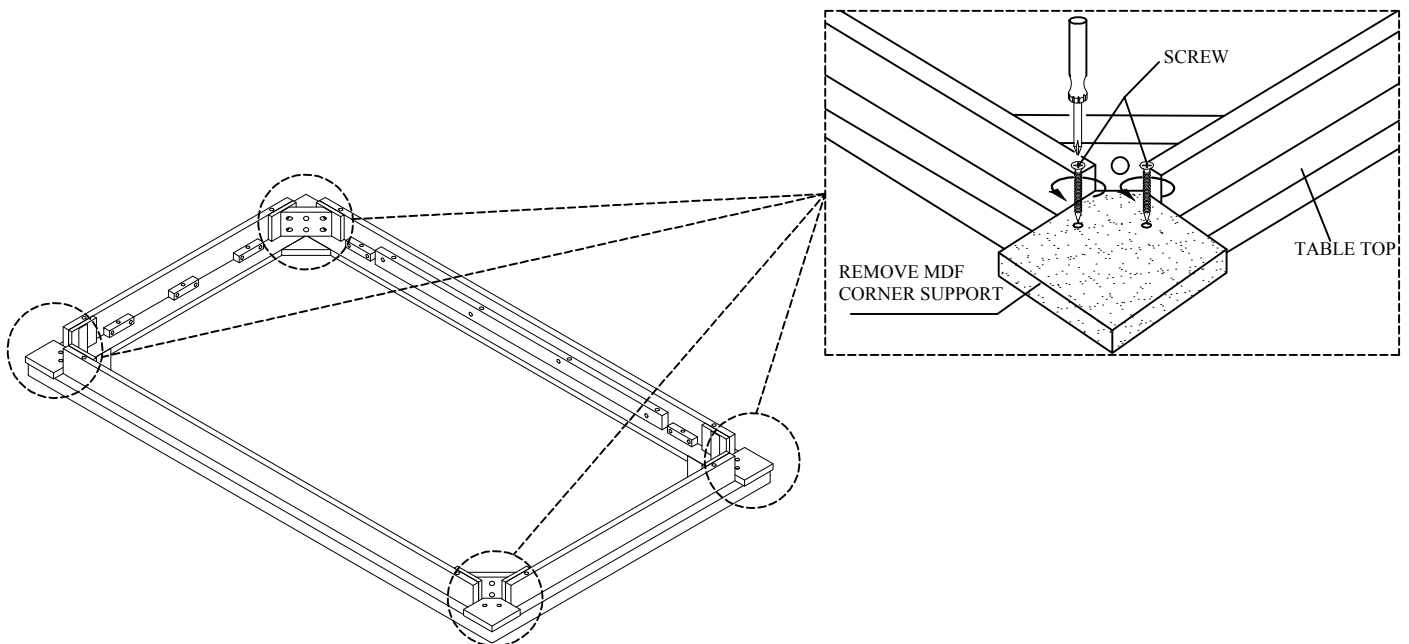
# HARDWARE

Check that you've received  
all hardware listed below.

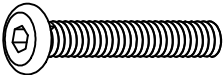

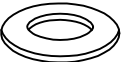

## ASSEMBLY INSTRUCTIONS INDOOR DINING TABLE

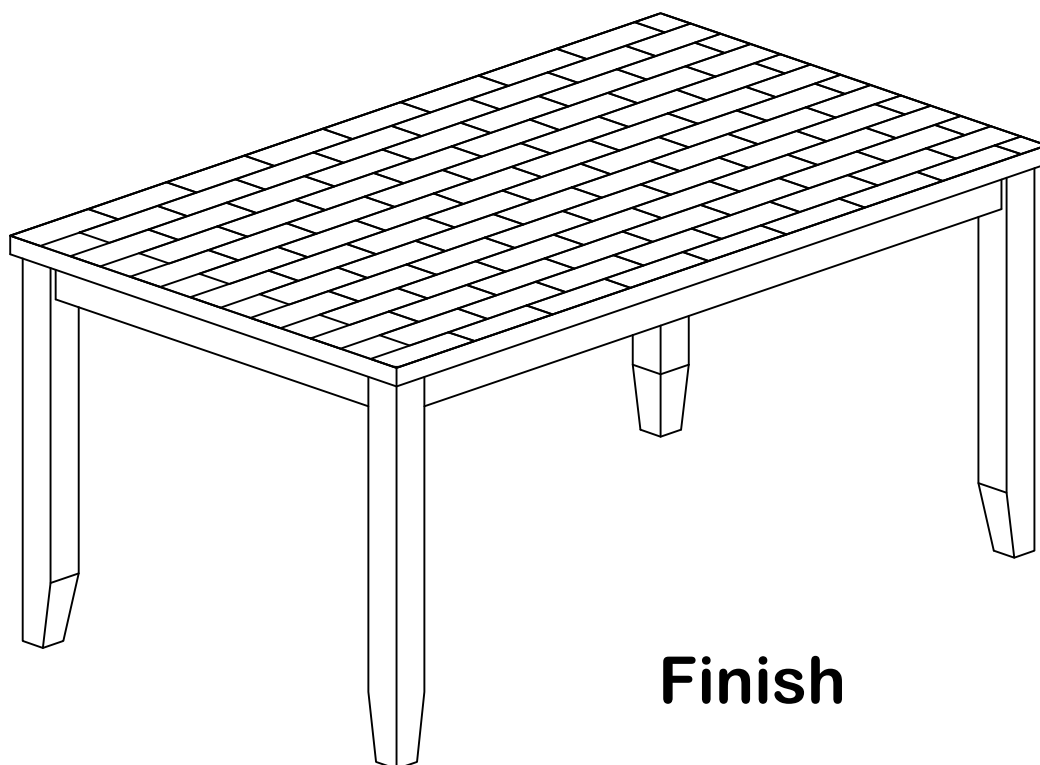
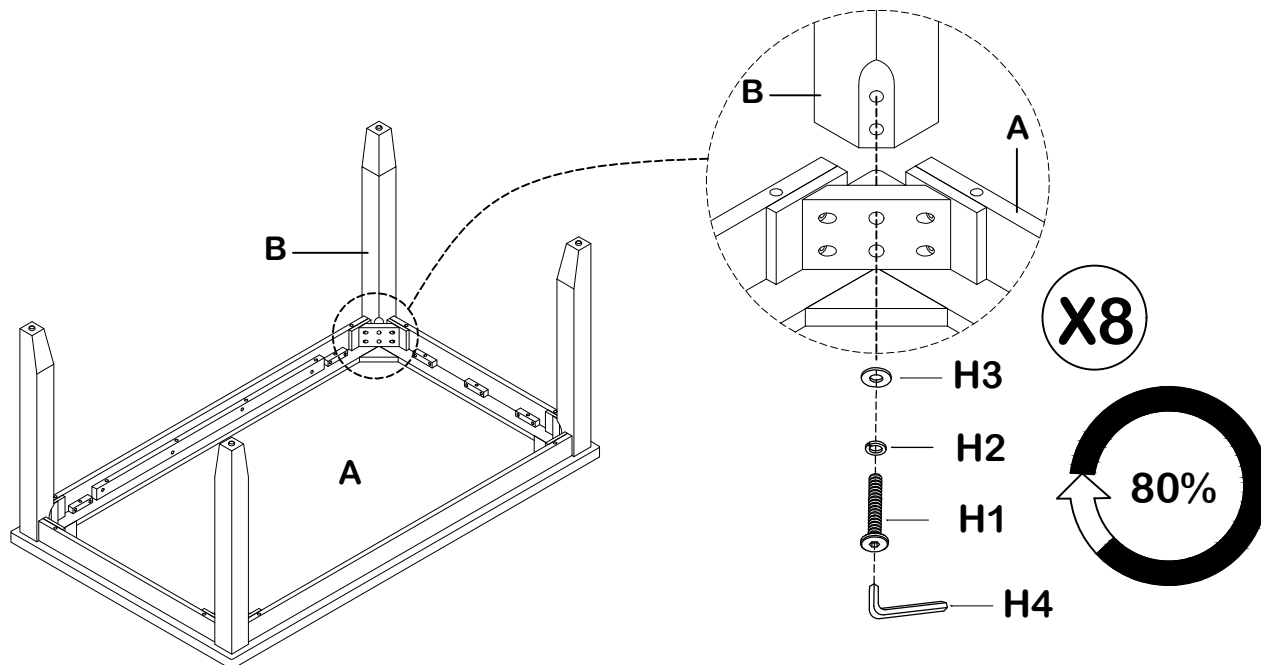
H1	H2	H3	H4
			
5/16*65mm	5/16*12mm	5/16*19mm	4mm
8 pcs	8 pcs	8 pcs	1 pc

### STEP 1



# STEP 2

H1x8	H2x8	H3x8	H4x1
			
5/16*65mm	5/16*12mm	5/16*19mm	4mm

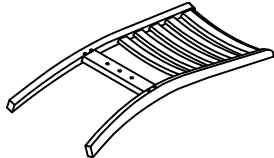
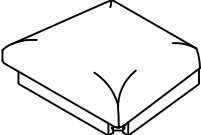
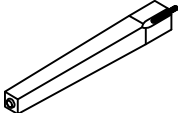


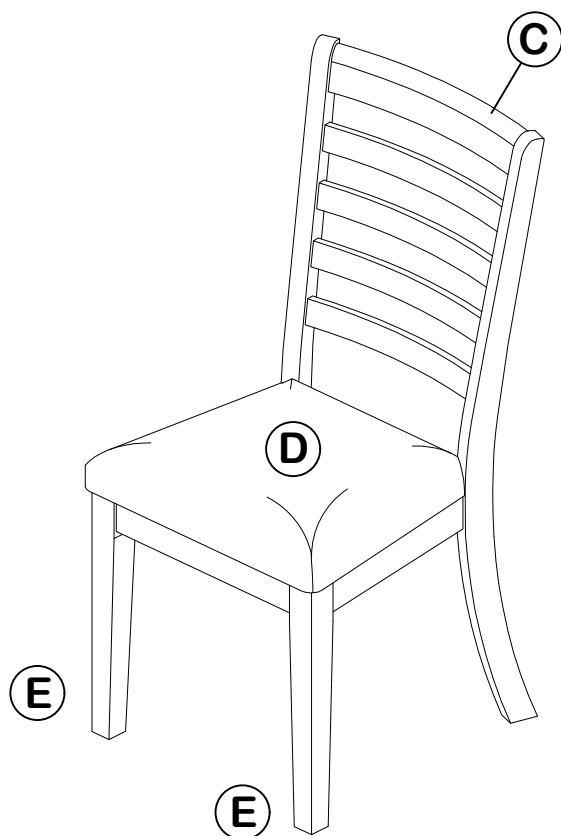
**Finish**

# PARTS |

Check that you've received all parts listed below.

## ASSEMBLY INSTRUCTIONS INDOOR DINING CHAIR

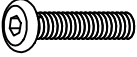



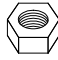


C	D	E
		
6 pcs	6 pcs	12 pcs








# HARDWARE

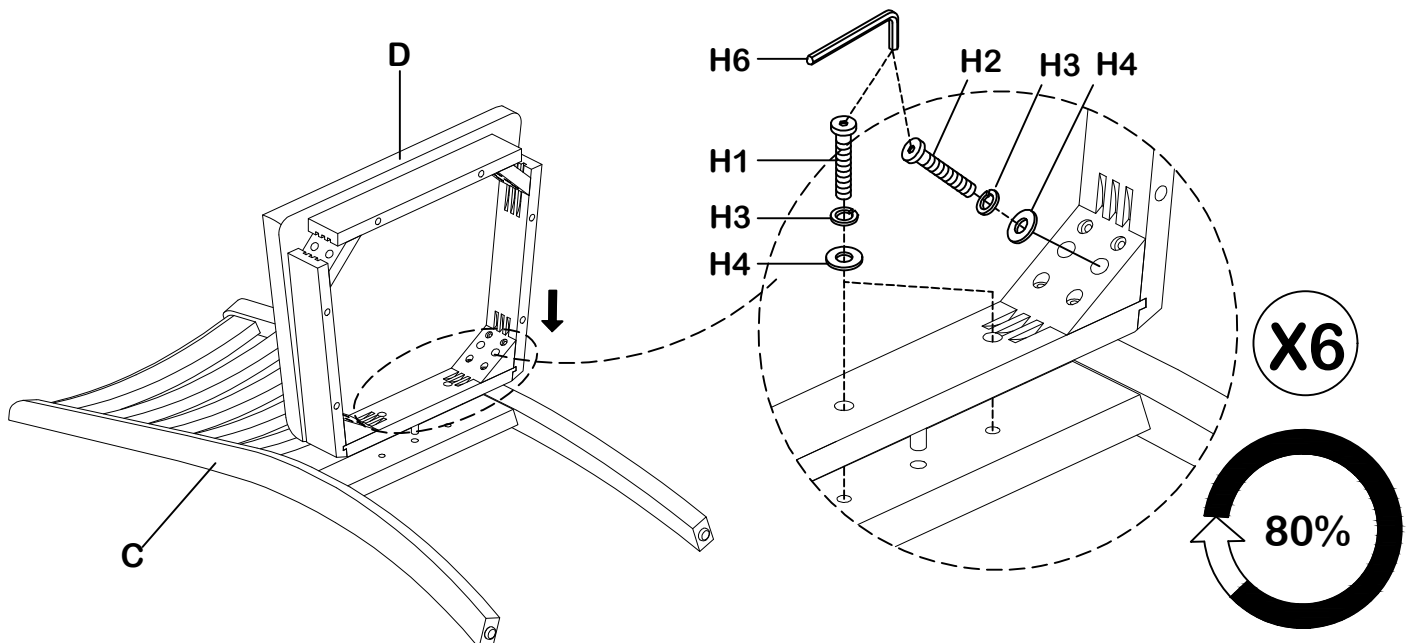
Check that you've received all hardware listed below.

## ASSEMBLY INSTRUCTIONS INDOOR DINING CHAIR



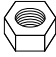
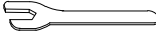
H1	H2	H3	H4	H5	H6	H7
						
5/16*38mm	5/16*75mm	5/16*12mm	5/16*19mm	5/16*12mm	4mm	12mm
12 pcs	24 pcs	60 pcs	60 pcs	24 pcs	1 pc	1 pc

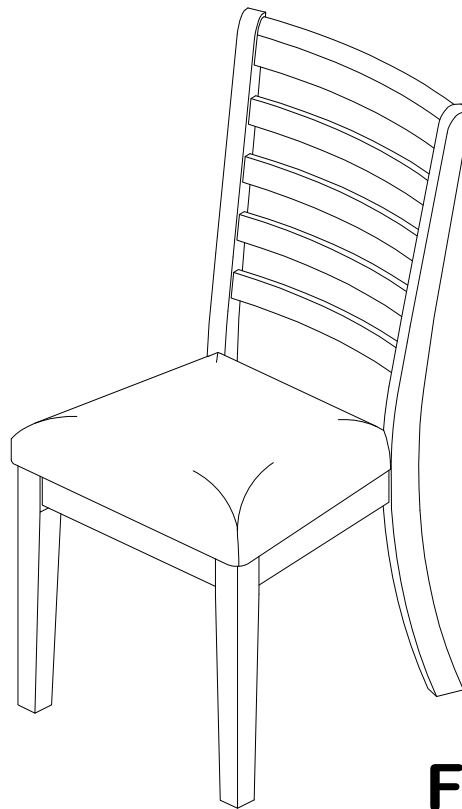
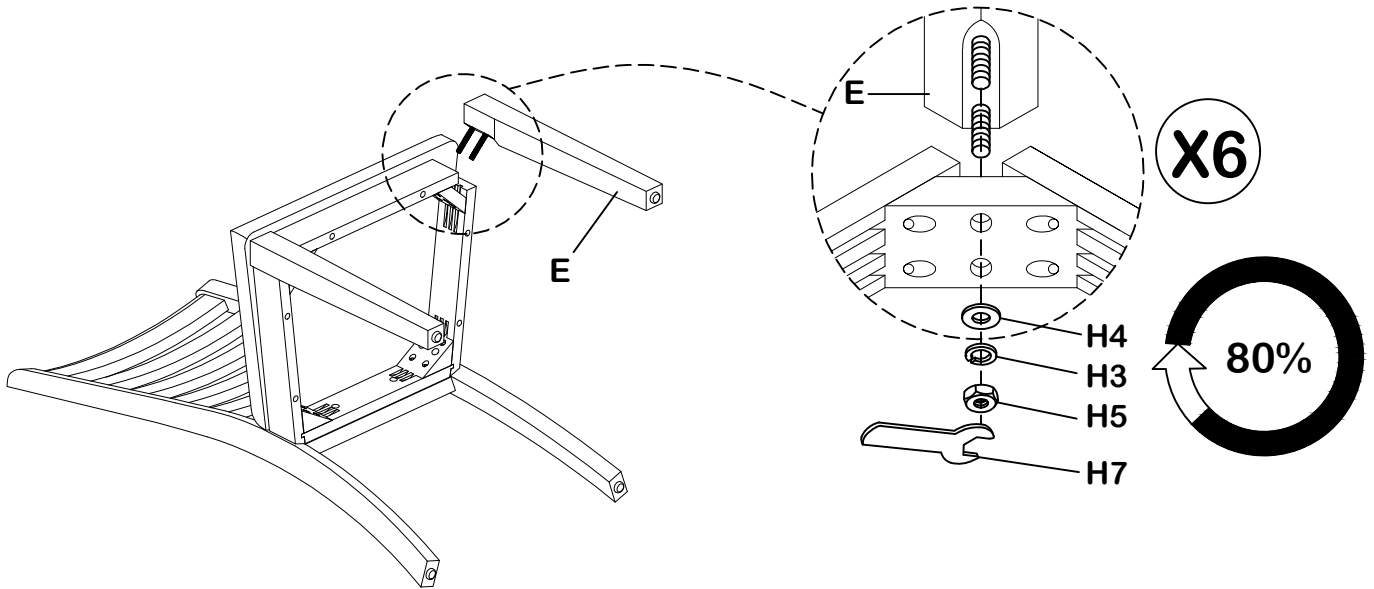
### STEP 1

H1x2	H2x4	H3x6	H4x6	H6x1
				
5/16*38mm	5/16*75mm	5/16*12mm	5/16*19mm	4mm



# STEP 2

H3x4	H4x4	H5x4	H7x1
			
5/16*12mm	5/16*19mm	5/16*12mm	12mm



**Finish**