

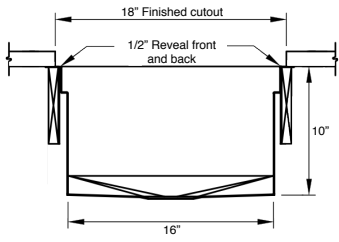


Installation Guide

Ideal Workstations®, Work&WashStations™,
Workstations/WashStations™ with DryDock®,
BarStations® and WashStations™

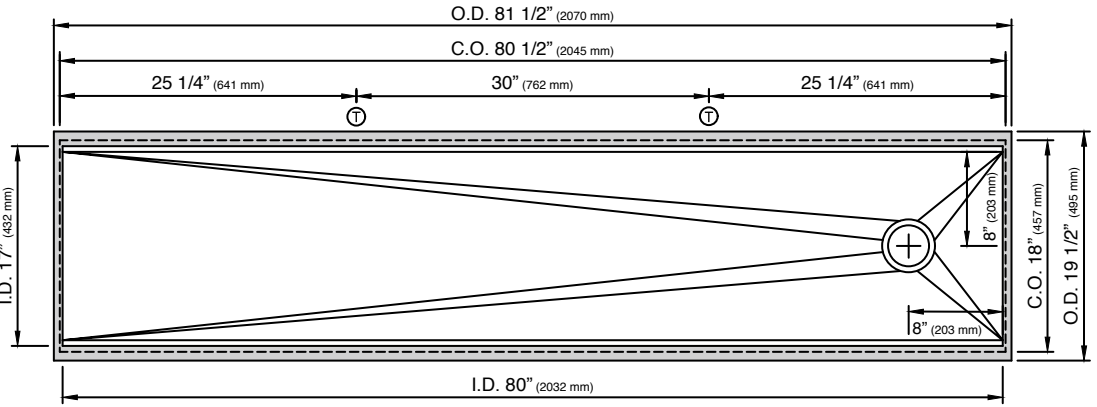
Workstations

Right Hand Drain Orientation

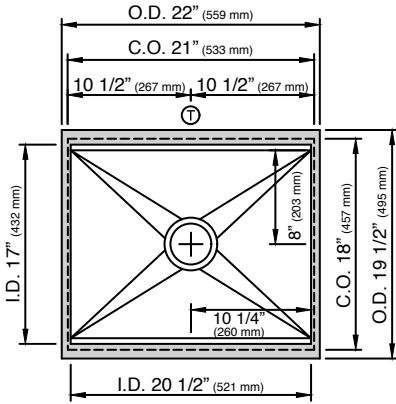


Side view applies to all Workstations

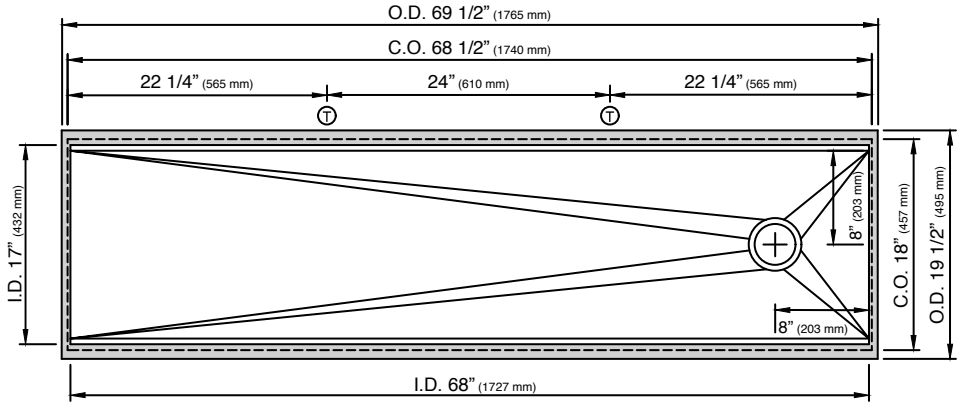
IWS 7S



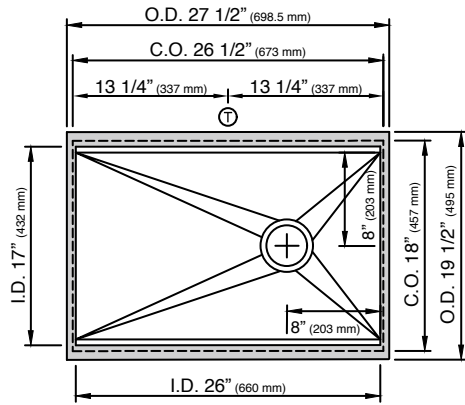
IWS 2C / IWA 2C / IBS 2C



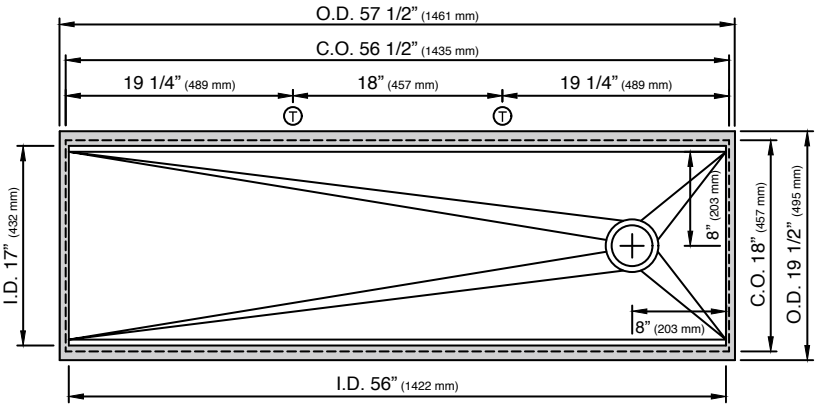
IWS 6S



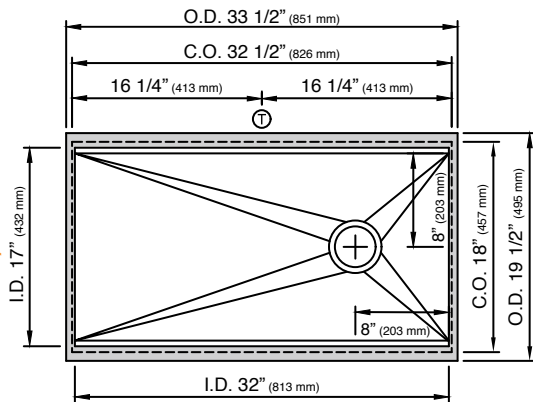
IWS 30S / IWA 30S



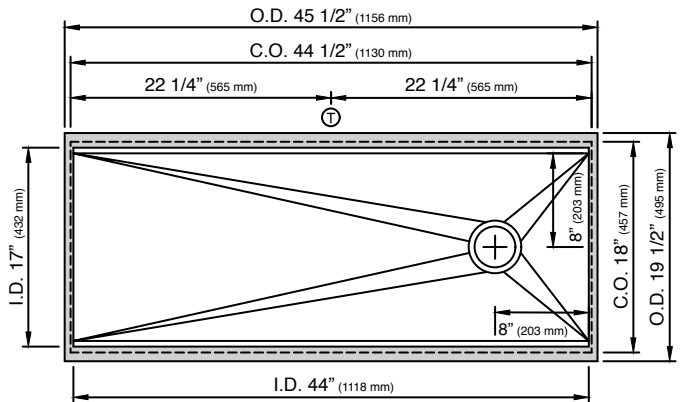
IWS 5S



IWS 3S / IWA 3S



IWS 4S / IWA 4S



SUGGESTED GALLEY TAP PLACEMENT GUIDE

Suggested maximum inside corner radius of countertop cutout 3/8"

Ⓜ Galley Tap 1 3/8" minimum to 1 1/2" maximum hole diameter

Center Tap hole diameters 2" behind cutout

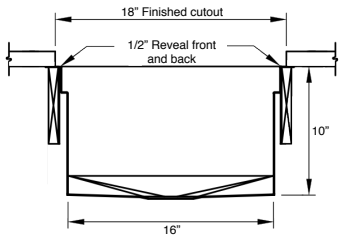
Note: Galley Hot & Cold Tap requires a minimum 8" clearance to center if installed to the right of the Galley Tap

Note: Tap Placements are for right hand or left hand drain orientation

Call 800.375.4255 or email customer@thegalley.com for additional guidance on Tap and Tap Accessory placements

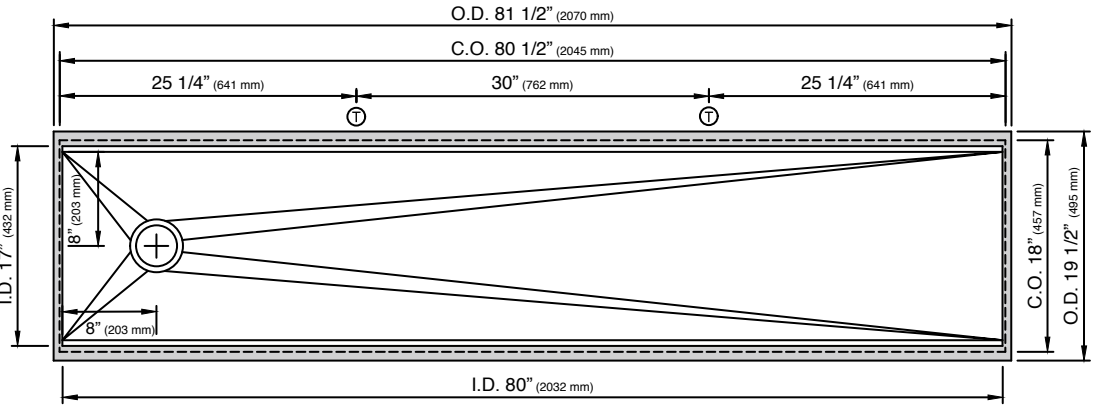
Workstations

Left Hand Drain Orientation

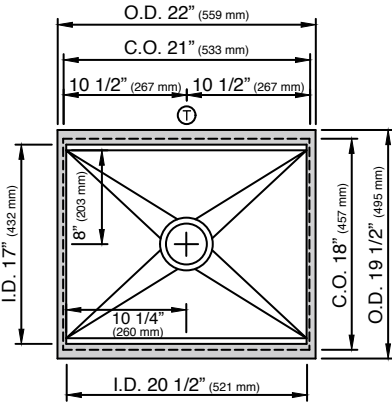


Side view applies to all Workstations

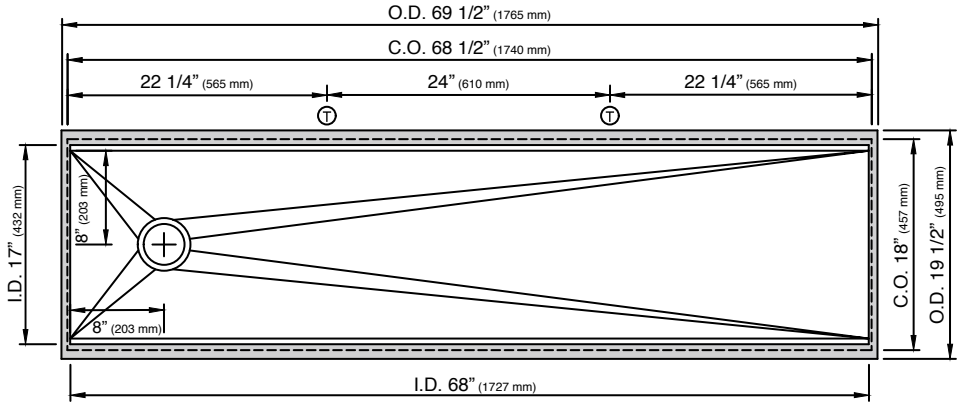
IWS 7S



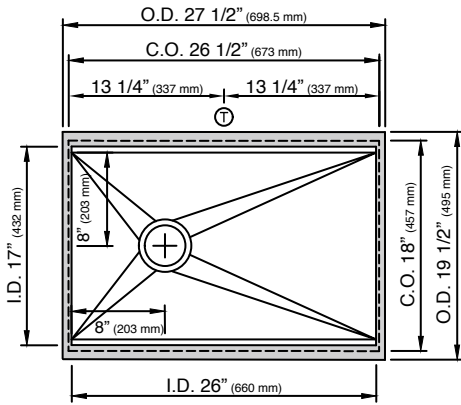
IWS 2C / IWA 2C / IBS 2C



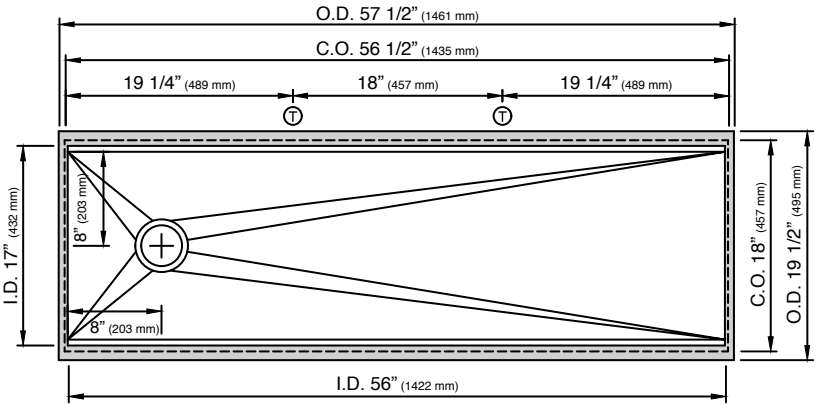
IWS 6S



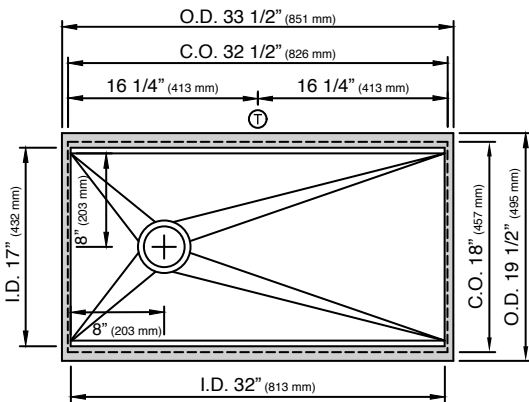
IWS 30S / IWA 30S



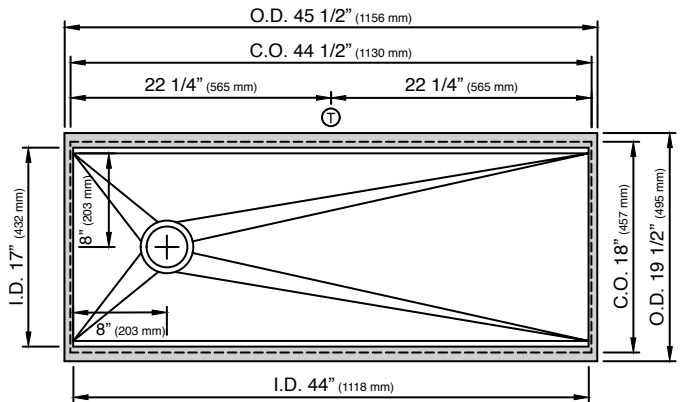
IWS 5S



IWS 3S / IWA 3S



IWS 4S / IWA 4S



SUGGESTED GALLEY TAP PLACEMENT GUIDE

Suggested maximum inside corner radius of countertop cutout 3/8"

⊕ Galley Tap 1 3/8" minimum to 1 1/2" maximum hole diameter

Center Tap hole diameters 2" behind cutout

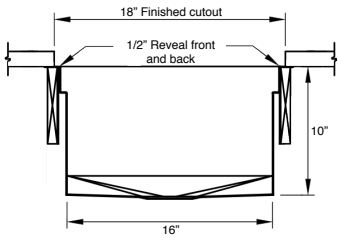
Note: Galley Hot & Cold Tap requires a minimum 8" clearance to center if installed to the right of the Galley Tap

Note: Tap Placements are for right hand or left hand drain orientation

Call 800.375.4255 or email customer@thegalley.com for additional guidance on Tap and Tap Accessory placements

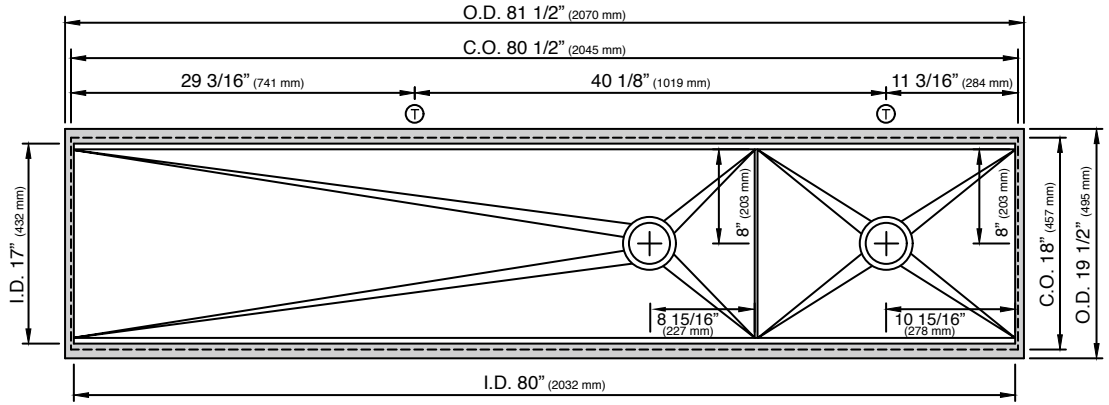
Work&WashStations™

Right Hand Drain Orientation

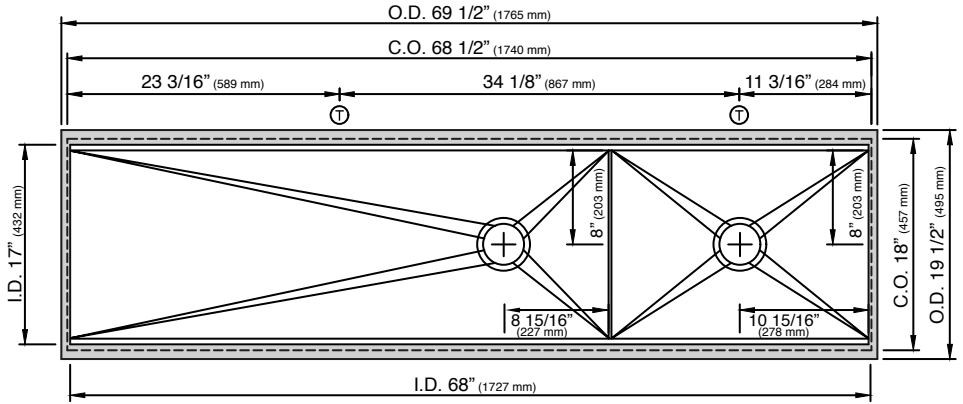


Side view applies to all Work&WashStations

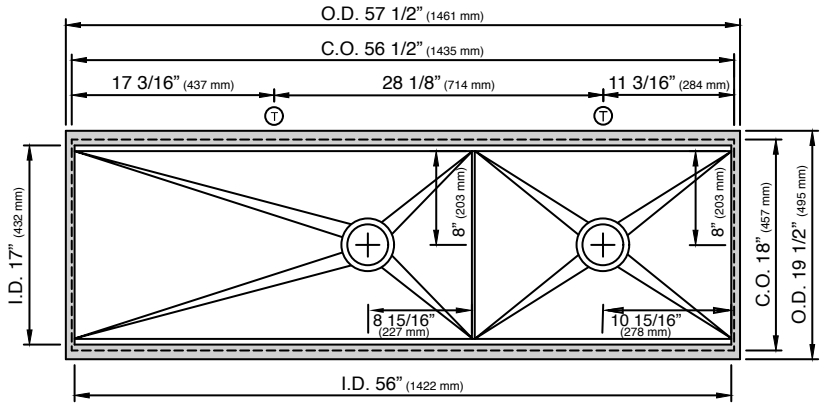
IWW 7D



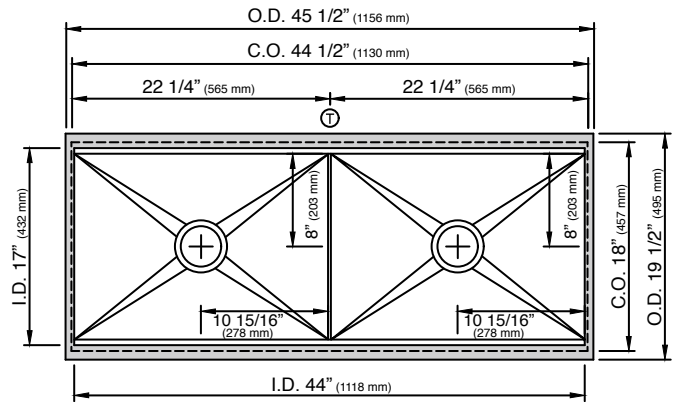
IWW 6D



IWW 5D



IWW 4D / IWA 4D



SUGGESTED GALLEY TAP PLACEMENT GUIDE

Suggested maximum inside corner radius of countertop cutout 3/8"

Ⓜ Galley Tap 1 3/8" minimum to 1 1/2" maximum hole diameter

Center Tap hole diameters 2" behind cutout

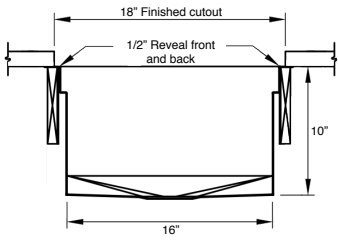
Note: Galley Hot & Cold Tap requires a minimum 8" clearance to center if installed to the right of the Galley Tap

Note: Tap Placements are for right hand or left hand drain orientation

Call 800.375.4255 or email customer@thegalley.com for additional guidance on Tap and Tap Accessory placements

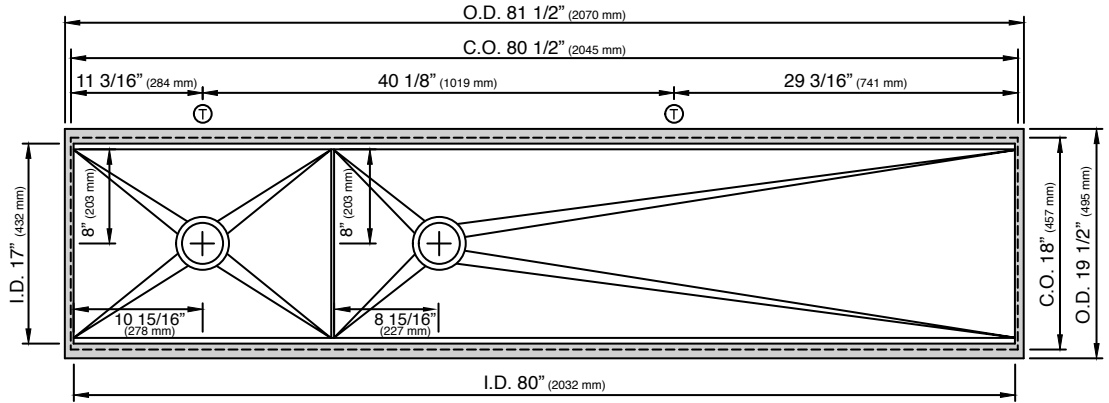
Work&WashStations™

Left Hand Drain Orientation

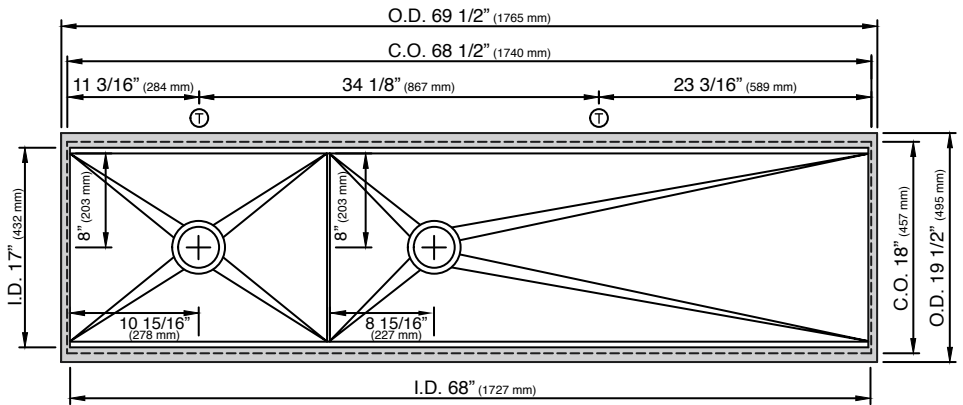


Side view applies to all Work&WashStations

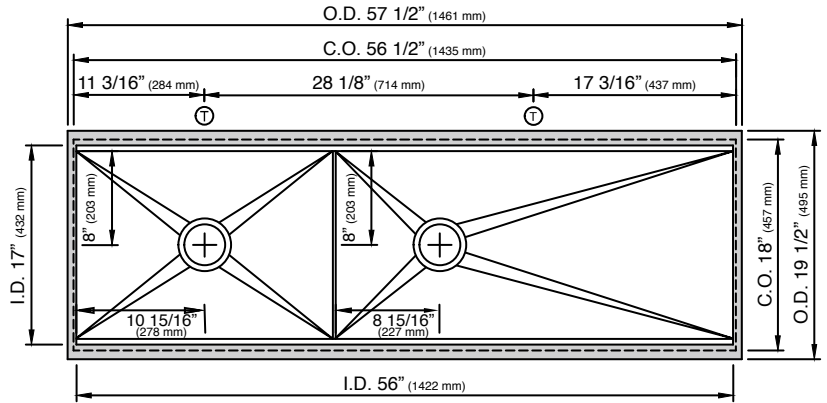
IWW 7D



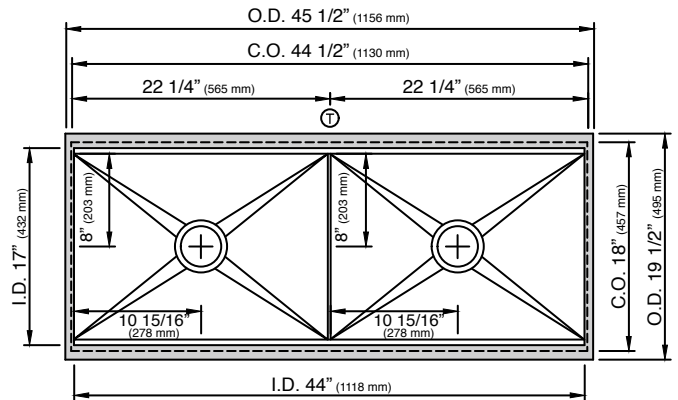
IWW 6D



IWW 5D



IWW 4D / IWA 4D



SUGGESTED GALLEY TAP PLACEMENT GUIDE

Suggested maximum inside corner radius of countertop cutout 3/8"

Ⓣ Galley Tap 1 3/8" minimum to 1 1/2" maximum hole diameter

Center Tap hole diameters 2" behind cutout

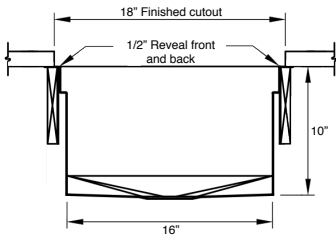
Note: Galley Hot & Cold Tap requires a minimum 8" clearance to center if installed to the right of the Galley Tap

Note: Tap Placements are for right hand or left hand drain orientation

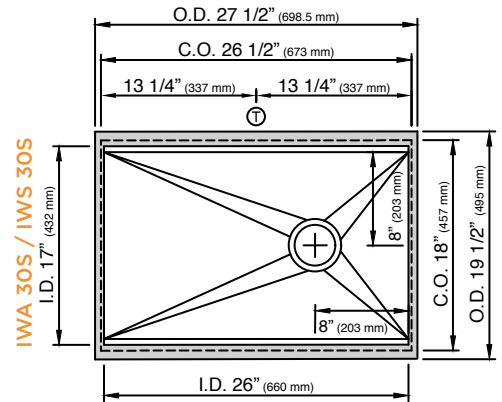
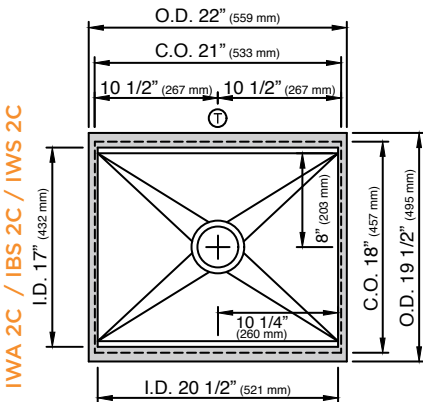
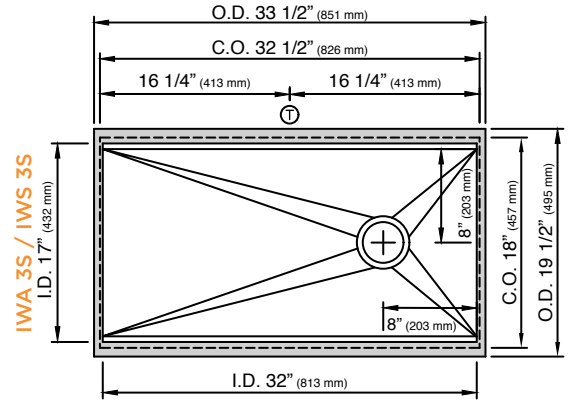
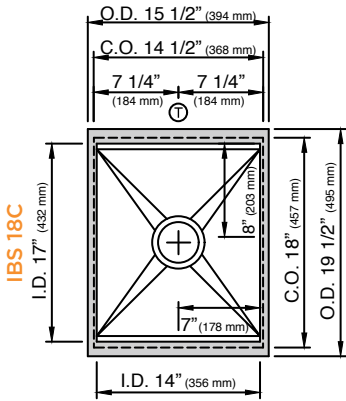
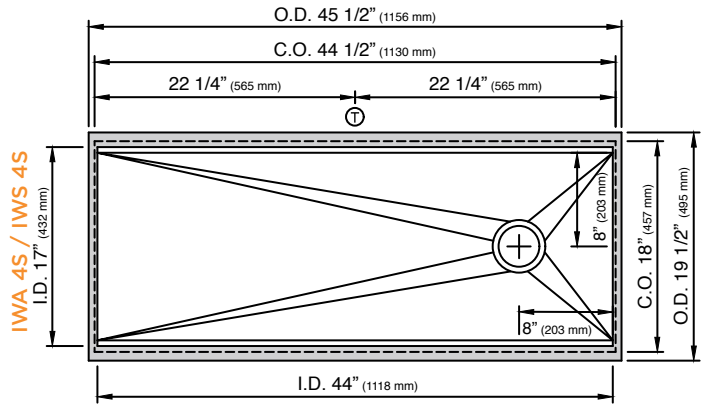
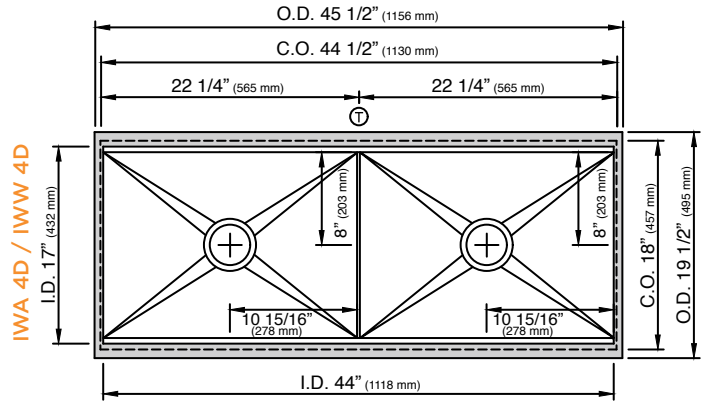
Call 800.375.4255 or email customer@thegalley.com for additional guidance on Tap and Tap Accessory placements

BarStations® and WashStations™

Right Hand Drain Orientation



Side view applies to all BarStations and WashStations



SUGGESTED GALLEY TAP PLACEMENT GUIDE

Suggested maximum inside corner radius of countertop cutout 3/8"

Ⓜ Galley Tap 1 3/8" minimum to 1 1/2" maximum hole diameter

Center Tap hole diameters 2" behind cutout

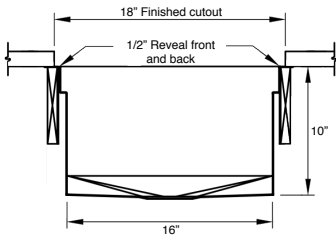
Note: Galley Hot & Cold Tap requires a minimum 8" clearance to center if installed to the right of the Galley Tap

Note: Tap Placements are for right hand or left hand drain orientation

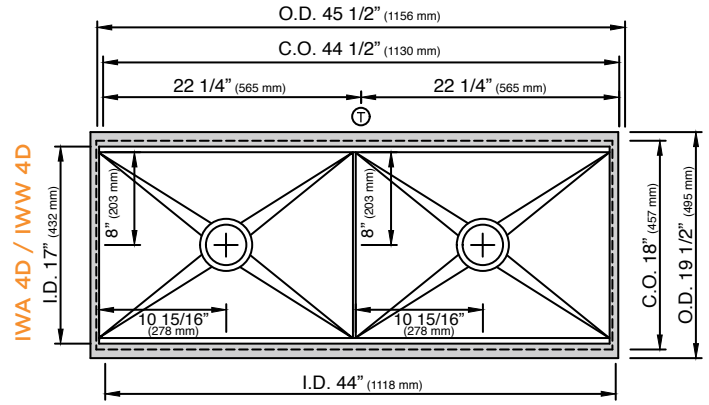
Call 800.375.4255 or email customer@thegalley.com for additional guidance on Tap and Tap Accessory placements

BarStations. and WashStations™

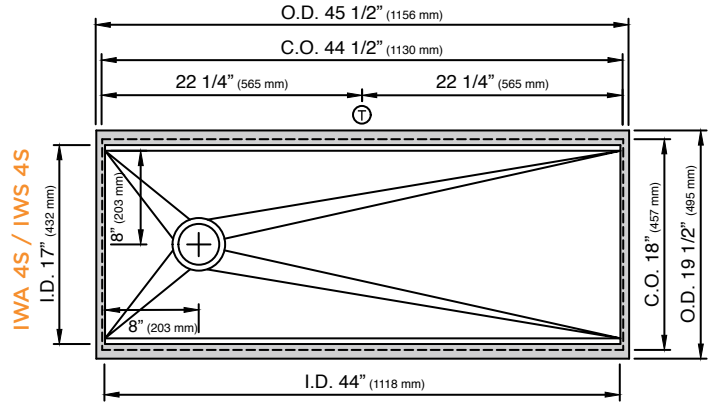
Left Hand Drain Orientation



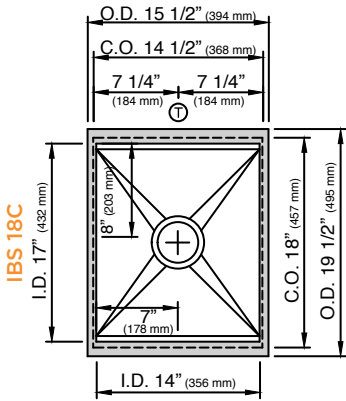
Side view applies to all BarStations and WashStations



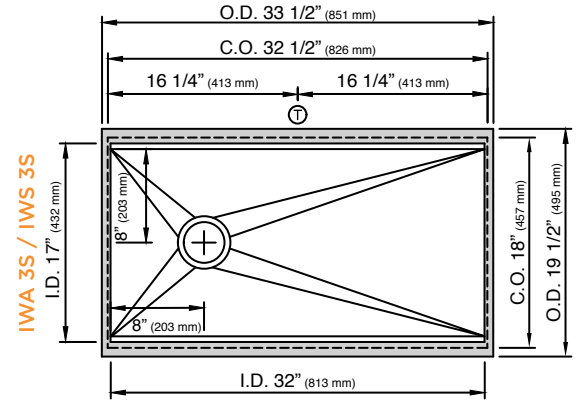
IWA 4D / IWW 4D



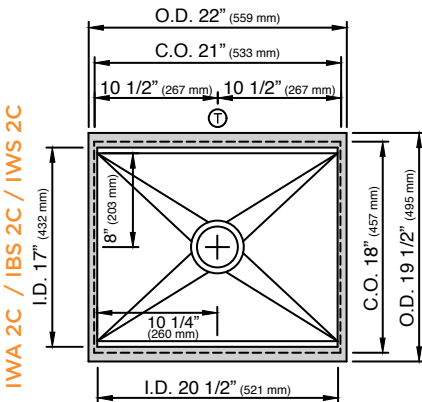
IWA 4S / IWS 4S



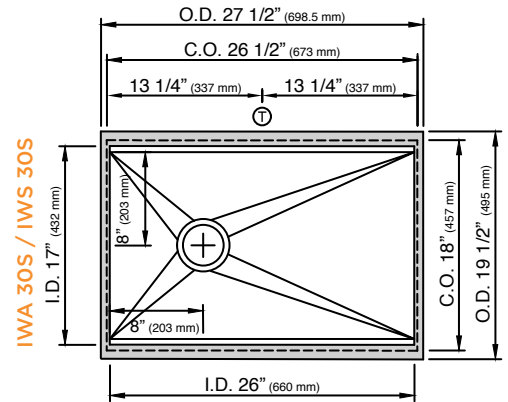
IBS 18C



IWA 3S / IWS 3S



IWA 2C / IBS 2C / IWS 2C



IWA 30S / IWS 30S

SUGGESTED GALLEY TAP PLACEMENT GUIDE

Suggested maximum inside corner radius of countertop cutout 3/8"

Ⓜ Galley Tap 1 3/8" minimum to 1 1/2" maximum hole diameter

Center Tap hole diameters 2" behind cutout

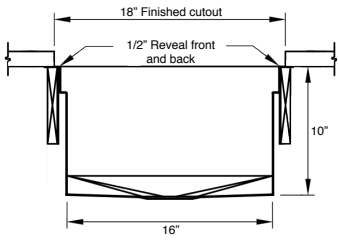
Note: Galley Hot & Cold Tap requires a minimum 8" clearance to center if installed to the right of the Galley Tap

Note: Tap Placements are for right hand or left hand drain orientation

Call 800.375.4255 or email customer@thegalley.com for additional guidance on Tap and Tap Accessory placements

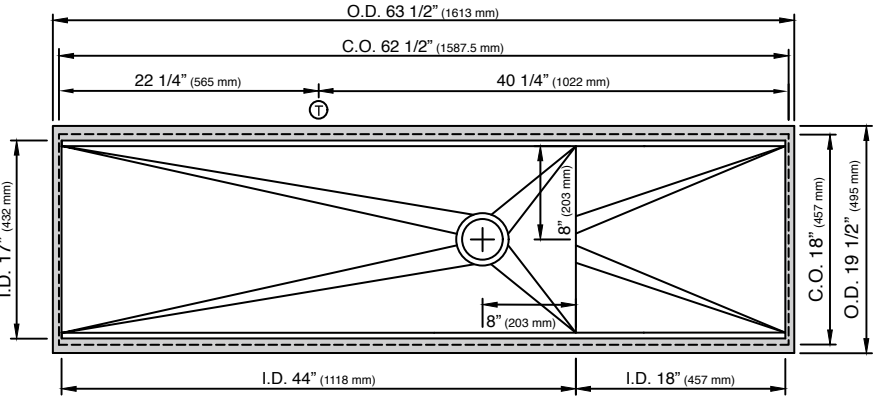
In Stock Workstations / WashStations™ with DryDock.

Right Hand Drain Orientation

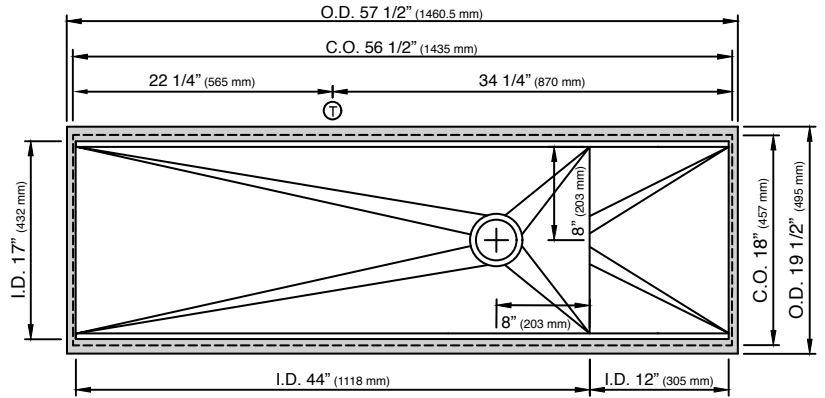


Side view applies to all DryDock Workstations/WashStations

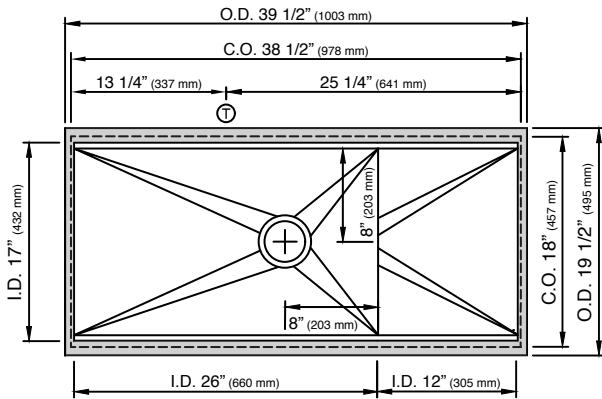
IWS 4S + DD18
IWA 4S + DD18



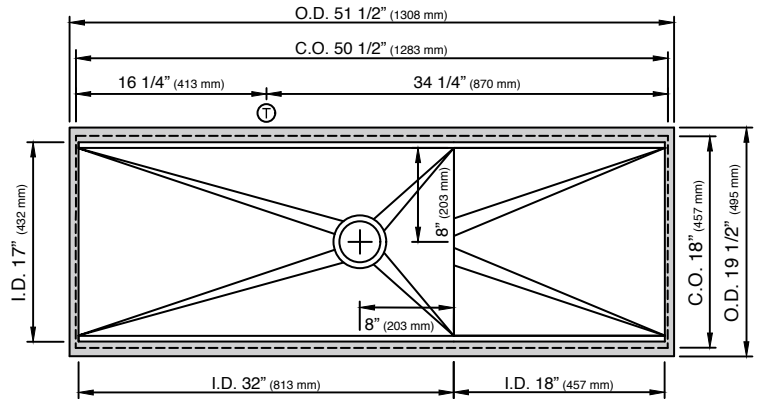
IWS 4S + DD12
IWA 4S + DD12



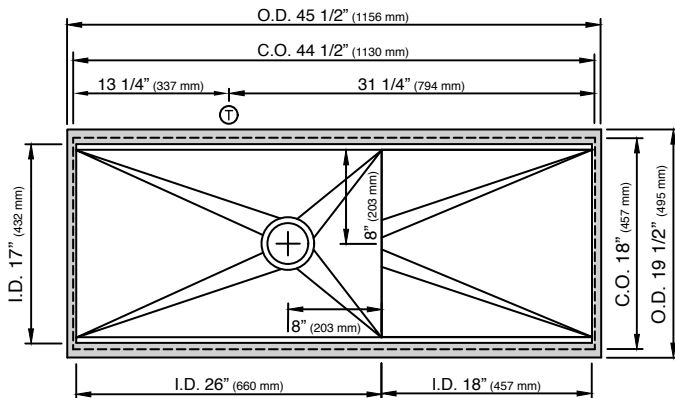
IWS 30S + DD12
IWA 30S + DD12



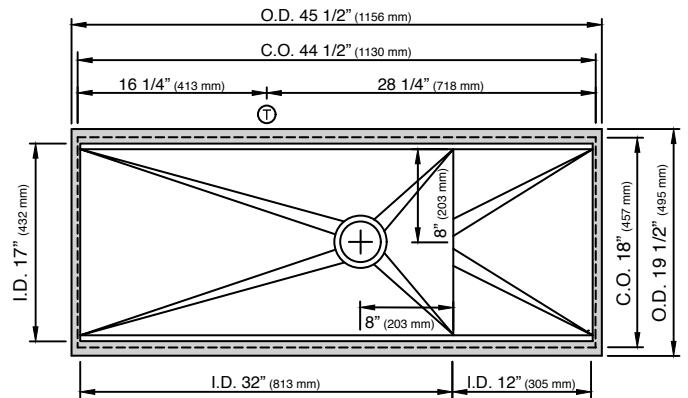
IWS 3S + DD18
IWA 3S + DD18



IWS 30S + DD18
IWA 30S + DD18



IWS 3S + DD12
IWA 3S + DD12



SUGGESTED GALLEY TAP PLACEMENT GUIDE

Suggested maximum inside corner radius of countertop cutout 3/8"

Ⓣ Galley Tap 1 3/8" minimum to 1 1/2" maximum hole diameter

Center Tap hole diameters 2" behind cutout

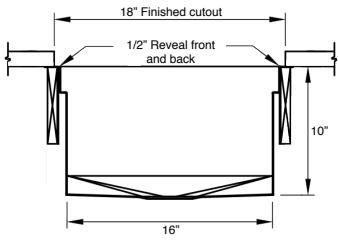
Note: Galley Hot & Cold Tap requires a minimum 8" clearance to center if installed to the right of the Galley Tap

Note: Tap Placements are for right hand or left hand drain orientation

Call 800.375.4255 or email customer@thegalley.com for additional guidance on Tap and Tap Accessory placements

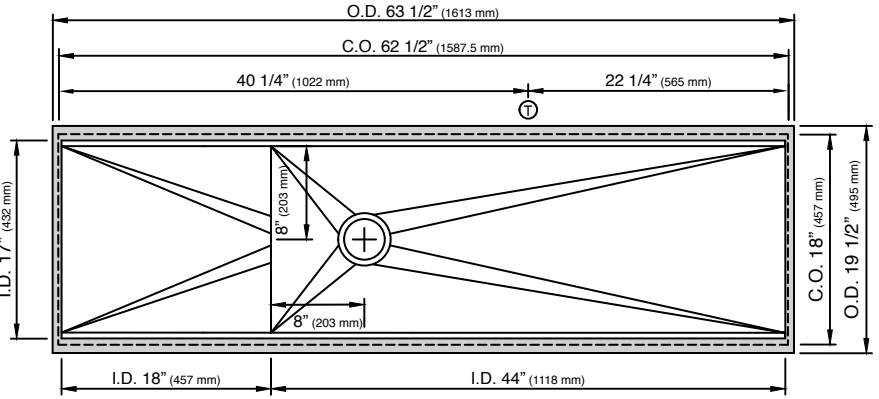
In Stock Workstations / WashStations™ with DryDock.

Left Hand Drain Orientation

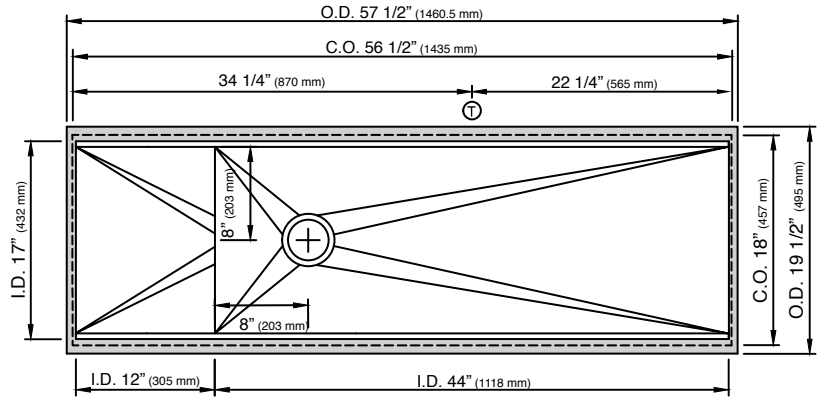


Side view applies to all DryDock Workstations/WashStations

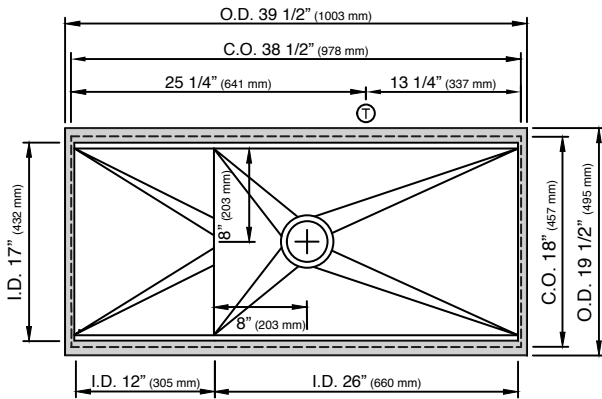
IWS 4S + DD18
IWA 4S + DD18



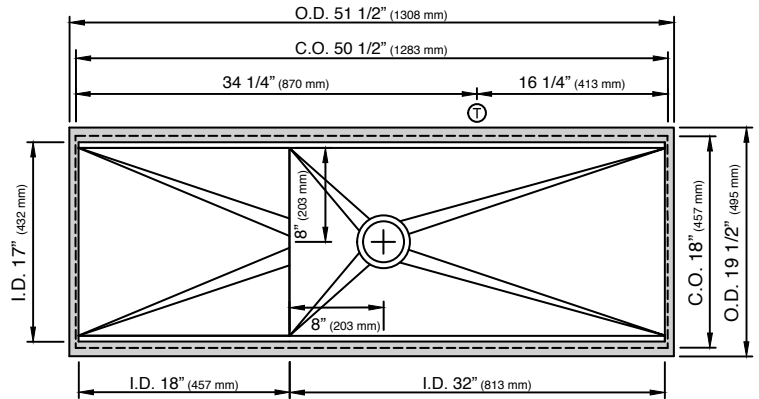
IWS 4S + DD12
IWA 4S + DD12



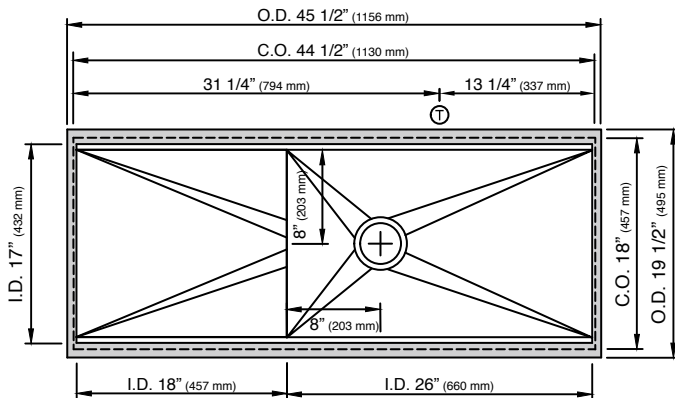
IWS 30S + DD12
IWA 30S + DD12



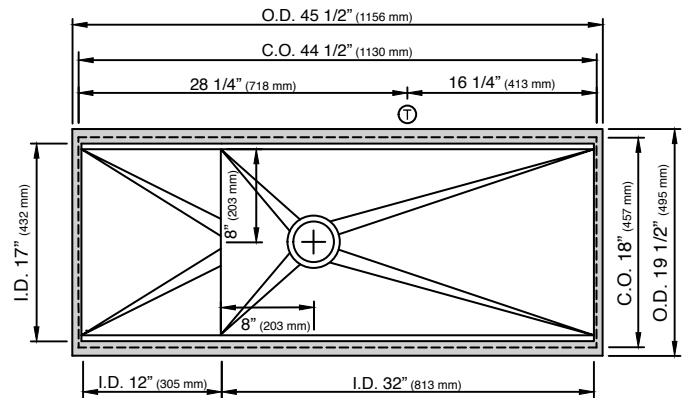
IWS 3S + DD18
IWA 3S + DD18



IWS 30S + DD18
IWA 30S + DD18



IWS 3S + DD12
IWA 3S + DD12



SUGGESTED GALLEY TAP PLACEMENT GUIDE

Suggested maximum inside corner radius of countertop cutout 3/8"

Ⓜ Galley Tap 1 3/8" minimum to 1 1/2" maximum hole diameter

Center Tap hole diameters 2" behind cutout

Note: Galley Hot & Cold Tap requires a minimum 8" clearance to center if installed to the right of the Galley Tap

Note: Tap Placements are for right hand or left hand drain orientation

Call 800.375.4255 or email customer@thegalley.com for additional guidance on Tap and Tap Accessory placements

IMPORTANT

1. Please note: Unlike typical undermount kitchen sink installations, The Galley Workstation is installed in the cabinet prior to the counter being templated. **A wood support frame will need to be constructed and mounted inside the base cabinet(s) and recessed down 1/16" from the top of the cabinet(s).**

2. Leave the installation instructions tray affixed to The Galley Basin until the countertop has been templated, and leave the basin braces affixed to the Basin's tiers until the countertop has been installed and silicone has cured for a minimum of one hour.

3. The Workstation and Tap require a **minimum** of 22 1/2" inside the cabinet. For 24" deep inset cabinets installed against a wall, the cabinet must be pulled 1" away from the wall.

4. For countertops with a laminated or built-up decorative front edge, construct the wood support frame to finish 1/16" below the underside of the countertop cutout area.

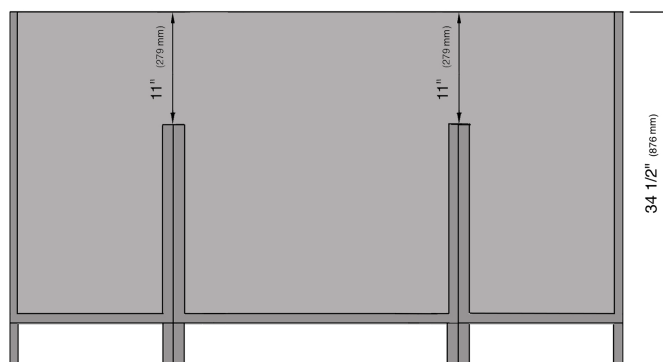
Inspect The Galley Basin for any damage prior to installation. For any questions or concerns please contact us immediately at 800.375.4255 or customer@thegalley.com.

Please refer to all local plumbing and building codes prior to installation.

Tools



Before You Begin



If your cabinet(s) have been built to accommodate your Galley Workstation, proceed to Step One. If you are joining two or more cabinets together to house the Galley Workstation, you will need to trim the bulkheads to create an 11" clearance for the Basin.

1. CONSTRUCT SUPPORT STRUCTURE

a) A wood support frame (cleat system) will need to be built and installed into the cabinet(s). This frame will support the weight of The Galley Workstation.

NOTE: Clips are NOT to be used.

b) Construct the support frame so that the inside dimensions of the frame are 1/2" larger than the Basin's inside width and length dimensions. Please refer to pages 1-8 for your Galley dimensions.

NOTE: For a Galley Workstation + DryDock., the support frame must be built with 1" x 2" boards so that there is no interference with any undercounter appliances.

2. ATTACH THE SUPPORT FRAME TO THE INTERIOR WALLS OF THE CABINET

IMPORTANT

Place the support frame into the cabinet flush with the front of the cabinet. This will ensure that there is the minimum 3" plumbing space from the back of the frame to the cabinet wall needed.

The support frame must be installed 1/16" lower than the top of the cabinet.

NOTE: Use a level to ensure that the support frame is installed level in the cabinet. Once installed, the top of the Basin Flanges will be flush with the top of the cabinet.

Attach the support frame to the interior walls of the cabinet.

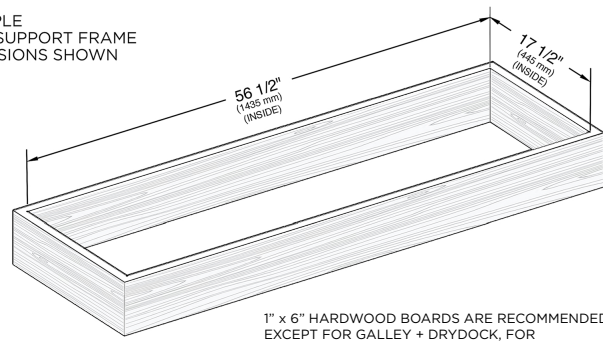
3. INSTALL THE WORKSTATION BASIN

a) Carefully place The Galley Basin into the cabinet by resting the flanges on the support frame. All four flanges should rest on the support frame.

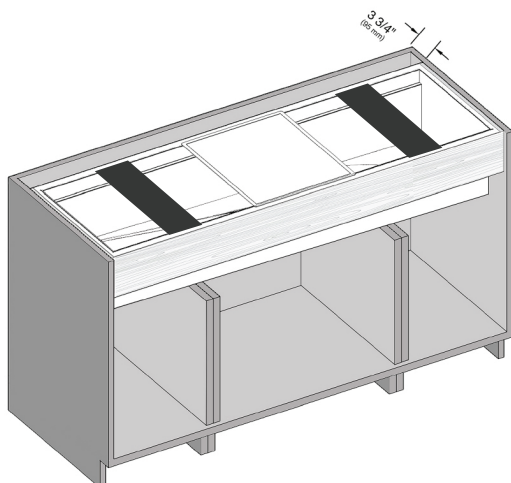
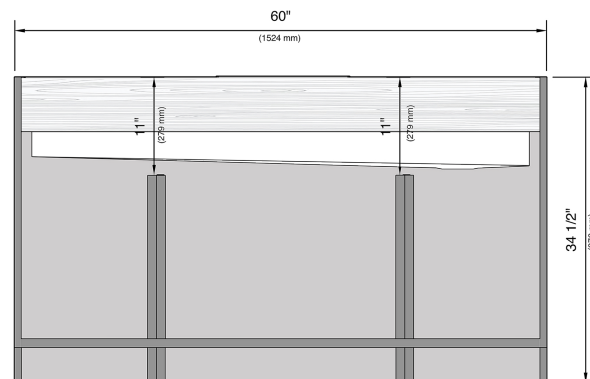
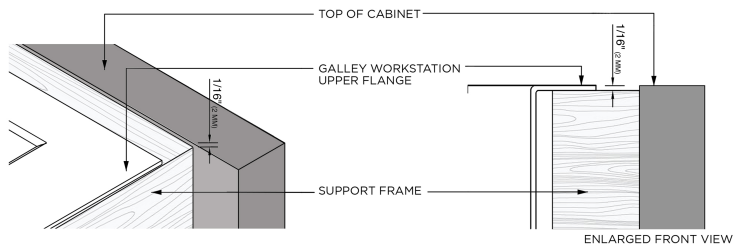
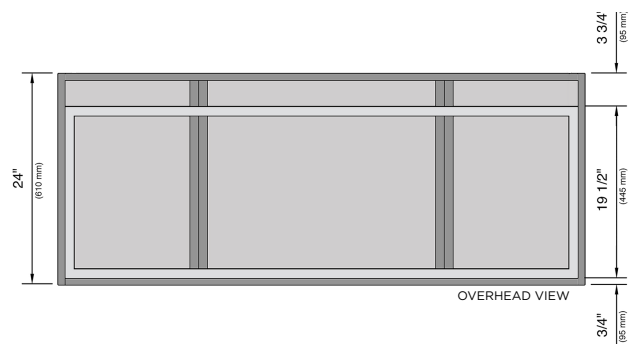
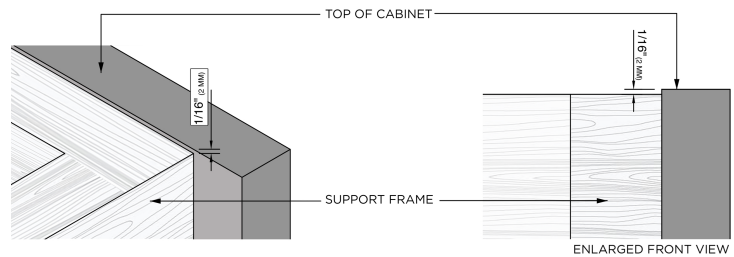
b) Use a level to ensure that the flanges are level. The top of the flanges should be flush with the top of the cabinet.

c) Position the Basin so that it is perfectly square within the cabinet.

EXAMPLE
IWS 5 SUPPORT FRAME
DIMENSIONS SHOWN



1" x 6" HARDWOOD BOARDS ARE RECOMMENDED EXCEPT FOR GALLEY + DRYDOCK, FOR WHICH 1" X 2" ARE RECOMMENDED.



**YOU ARE NOW READY
FOR THE COUNTERTOP
FABRICATOR**

Countertop Installation

Use the white template tray affixed to The Galley Basin flanges as your guide for the front to back, and left to right cutout. Refer to pages 1-8 for your overall cutout dimensions or refer to the drawing on the template tray.

NOTE:

The suggested maximum corner radius is 3/8".
Please refer to countertop manufacturer's warranted minimums

The front to back cutout dimension must always be exactly 18".

The finished countertop will not completely cover the Basin flanges. A 1/2" will be exposed on the front and back flanges and a 1/4" exposed on the left and right flanges.

Creating this reveal allows for the Tools to slide across the upper tier.

STEP 1

a) On the front and back flanges, measure exactly 1/2" from the inside of the Basin and mark with a pencil.

b) On the left and right flanges, measure exactly 1/4" from the inside of the Basin and mark with a pencil. Now you are ready to tape the flanges with painters tape.

c) Apply tape to the marked area, covering exactly 1/4" closest to the inside of the Basin. Ensure that the tape covers the entire length of the flanges and that it extends exactly 1/2" onto the front and back flanges.

IMPORTANT: Be sure that it does not extend more than 1/2" onto the front and back flanges as shown.

d) Apply tape to the marked area, covering exactly 1/2" closest to the inside of the Basin. Ensure that the tape covers the entire length of the flanges and that it extends exactly 1/4" onto the left and right flanges.

IMPORTANT: Be sure that it does not extend more than 1/4" onto the left and right flanges as shown.

STEP 2

Apply a heavy bead of silicone to the untaped part of the flange.

STEP 3

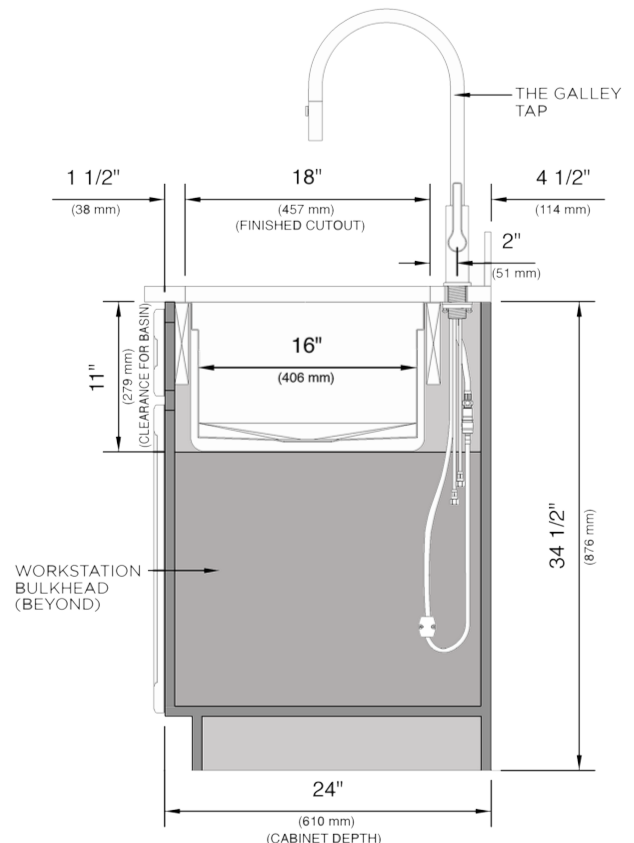
Before setting the countertop in place, make sure the Basin is perfectly square in the cabinet. Set the countertop and position it properly so there is exactly 1/2" exposed reveal on the front and back flanges and exactly a 1/4" exposed reveal on the left and right flanges. Press countertop down on the flange. The silicone should fill any gaps.

STEP 4

Once the countertop has been set and the reveals measured, remove the excess silicone that is on the taped flanges, (do not remove the tape in this step). Using a spray bottle and a cloth, carefully clean all excess silicone off of the exposed taped flange.

STEP 5

Wait approximately one hour and remove tape and Basin braces. This will ensure there is a clean flange, free from silicone, which will enable the Tools to slide freely.



The Galley Workstation. Limited Lifetime Warranty

1. GALLEY WORKSTATION LIMITED LIFETIME WARRANTY - Seller provides a Limited Lifetime Warranty. Seller warrants its stainless steel sink, installed in a residential application, to be free from manufacturing defects in materials and workmanship under normal residential usage. This Limited Lifetime Warranty is subject to the warranty conditions and limitations as set forth below.

2. WARRANTY CONDITIONS AND LIMITATIONS - Seller's warranty is non-transferable and is strictly limited to products correctly installed using our installation instructions and used in a residential environment. This warranty is limited to defects or damages resulting from normal residential use and does not cover surface corrosion, (chemical or natural, including exposure to salt air, sea spray, acid rain, or environmental chemicals), scuffs or scratches, misuse, abnormal or abusive use, dents, deformations caused by the impact of any object, improper installation, care and/or maintenance, commercial use, environmental factors causing damage, shipping or freight damage, or common signs of normal wear and tear, (scratching, staining and alkaline etching of the finish over time due to use, cleaning practices or water or atmospheric conditions, are not manufacturing defects but are indicative of normal wear and tear however, these symptoms are easy to remedy). This limited warranty is null and void if the Product has been repaired, altered, or modified other than by Seller or under Seller's supervision. The Seller is not responsible for labor charges, installation or other incidental or consequential costs. In no event shall the liability of Seller exceed the purchase price of the product. If the product is installed outside of North America, Seller warrants product to be free from defects in material and workmanship for one (1) year from the date the product is installed, with all other terms of this warranty applying except duration. If the product has not been purchased from Seller or from an Authorized Dealer or Distributor of the Seller, this warranty is null and void.

3. CULINARY TOOLS - The Culinary Tools are not covered under warranty. If a defect is found in normal residential use, Seller will, at its election, repair, replace or make appropriate adjustment. Natural Golden Bamboo Culinary Tools should not have prolonged exposure to direct sunlight or be stored outdoors in a humid environment.

4. CARE AND MAINTENANCE - For care and maintenance instructions of all Galley products, please refer to the Use and Care section on thegalley.com.

5. WARRANTY CLAIMS - These warranties are in effect for Seller's Products purchased on January 1st, 2015 and thereafter. For warranty claims, please contact your Authorized Galley Dealer, or you may write to:

The Galley, LLC.
Attn: Warranty Claims
12626 South Memorial Drive
Bixby, OK 74008

Please include the original receipt with a description of the problem, model number, store, date of purchase, your name, address and telephone number.



Corporate Headquarters

The Galley, LLC
12626 South Memorial Drive
Bixby, OK 74008
800.375.4255
thegalley.com