



HOSHIZAKI

Parts List

Stackable Crescent Cuber

Models

KM-2600SWJ3

KM-2600SRJ(Z)3



hoshizakiamerica.com

Number: 71386
Issued: 6-27-2017
Revised: 6-24-2025

CONTENTS

Auxiliary Codes.....	3
Note About Ordering Parts	3
A. Ice Cuber Assembly & Refrigeration Circuit	4
KM-2600SWJ3	4
KM-2600SRJ(Z)3	7
B. Water Circuit	11
C. Control Box Assembly	15
D. Accessories & Labels	18

Auxiliary Codes

KM-2600SWJ3

G-0 January 2017
G-1 September 2017
G-2 November 2017
H-0 January 2018
J-1 May 2019
K-0 January 2020
L-0 March 2021
M-0 January 2022
N-0 March 2023
N-1 September 2023
P-0 January 2024
P-2 April 2024
Q-1 April 2025
Q-2 July 2025

KM-2600SRJ3

G-0 January 2017
G-1 September 2017
G-2 November 2017
H-0 January 2018
J-0 January 2019
J-1 April 2019
K-0 January 2020
L-0 January 2021

KM-2600SRJZ3

M-0 January 2022
N-0 January 2023
N-1 September 2023
P-0 January 2024
P-1 March 2024
P-2 April 2024
P-3 July 2024
P-4 September 2024
Q-0 January 2025
Q-1 April 2025
Q-2 July 2025

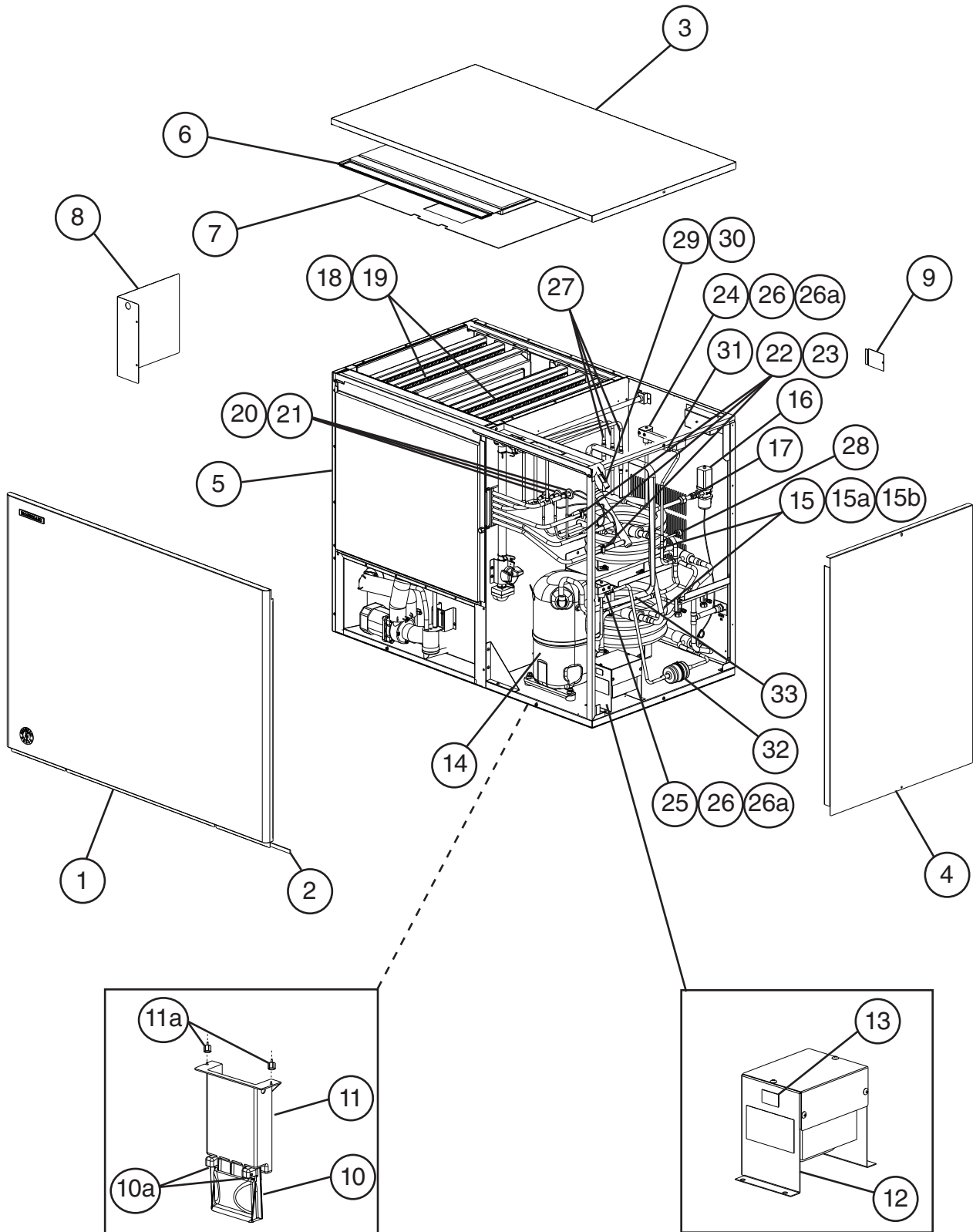
Auxiliary Code Breakdown

The auxiliary code is the first two characters in the serial number. The first character indicates the year. Years progress or regress in alphabetical order. The series runs from "A" through "V" and the letters "I" and "O" are skipped. The second character indicates significant part changes within a year. Base is "0" and this number advances for each change. In cases where there is a letter in parentheses, this designates the month. This is the last character in the serial number. The series runs from "(A)" through "(M)" and the letter "(I)" is skipped. This designation is only included when identifying a parts change within an auxiliary code.

Note About Ordering Parts

Most assemblies cannot be ordered as complete units; parts in the assemblies generally must be ordered separately.

A. Ice Cuber Assembly & Refrigeration Circuit
KM-2600SWJ3
1/2
 N-0 and Earlier

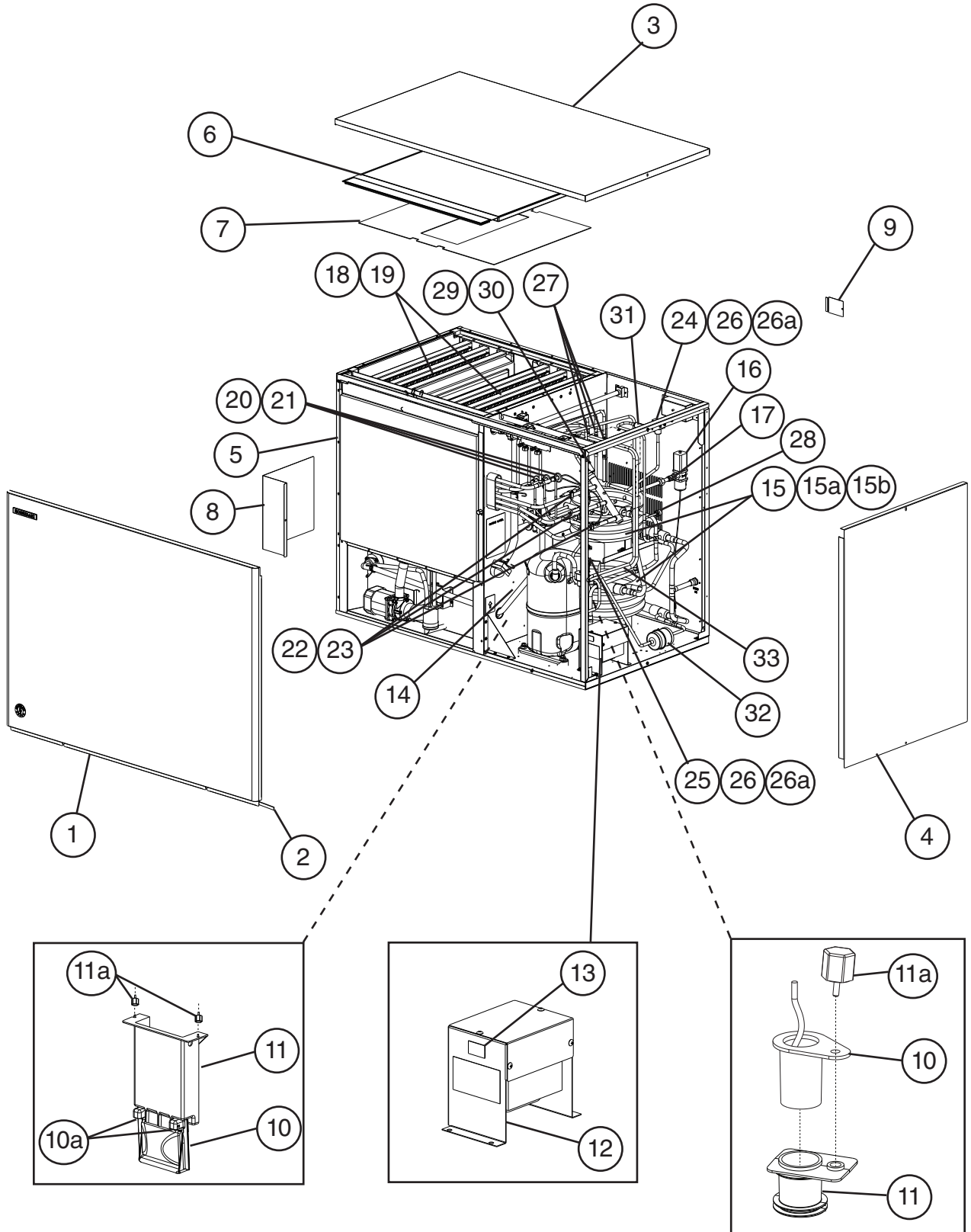


A. Ice Cuber Assembly & Refrigeration Circuit

KM-2600SWJ3

2/2

N-1 to Q-2



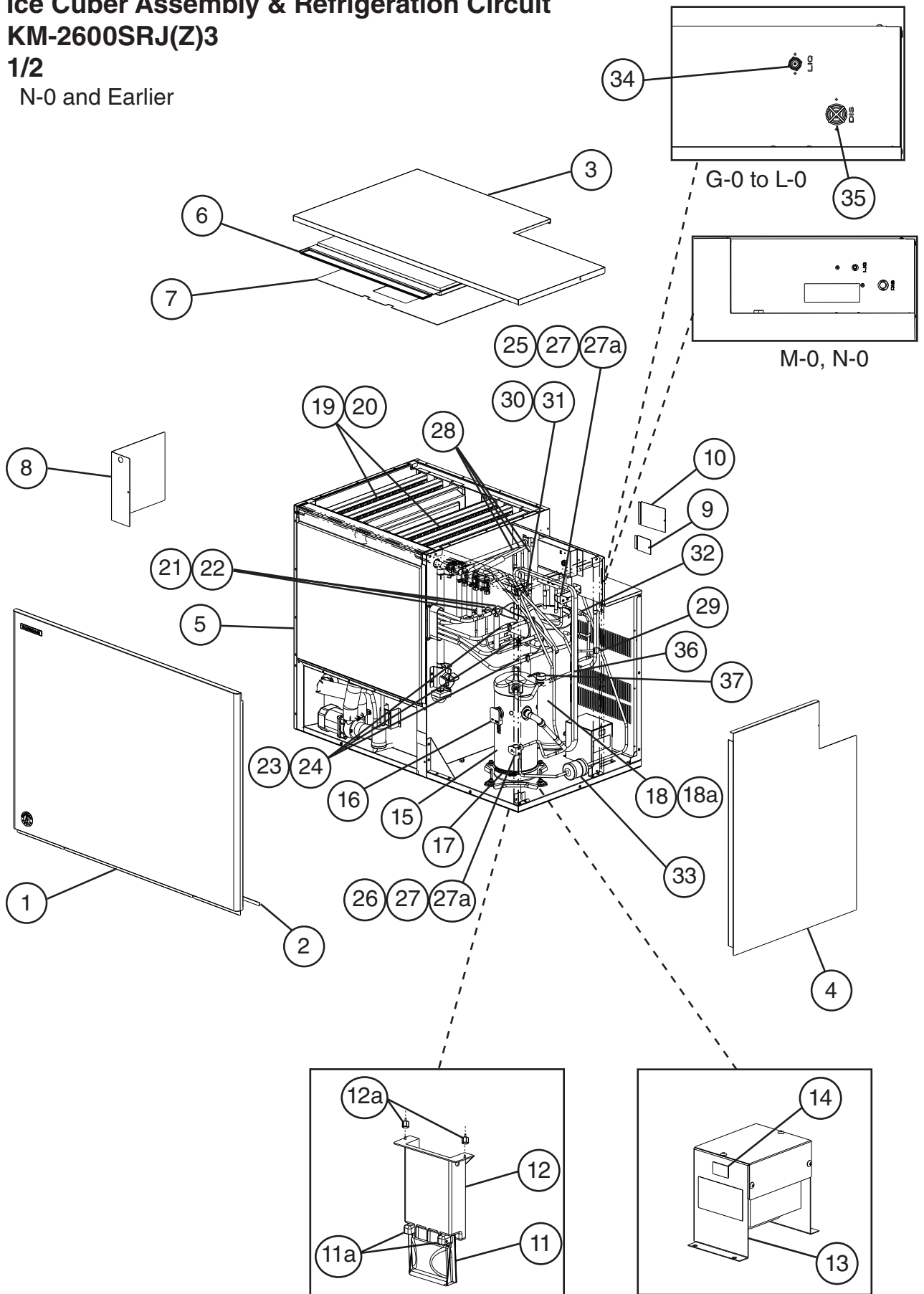
Title: A. Ice Cuber Assembly & Refrigeration Circuit													Model: KM-2600SWJ3										
Index No.	Description	Material or Model Number	Part Number	Required Number																			
				G-0 to N-0	N-1 to Q-1	Q-2																	
Ice Cuber Assembly																							
1	Front Panel Assembly		3A1838G01	1	-																		
			3B2126G01		1	1																	
2	Gasket (Foam Tape)		4A0808L02	1	1	1																	
3	Top Panel		2A2255-01	1	1	1																	
4	Right Side Panel		215381G02	1	1	1																	
5	Front Insulation		326041G01	1	1	1																	
6	Top Insulation		324216G01	1	1	1																	
7	Spacer		324321-01	1	1	1																	
8	Control Box Cover		3A2386-01	1	-																		
			3A2386-03		1	-																	
			3B2171-01			1																	
9	Junction Box Cover		433410-01	1	1	1																	
10	Mechanical Bin Control		2A8598G01	1	1	-																	
	Ultrasonic Bin Control		4A6148G02			1																	
10a	Thumbscrews		415949G10	2	2																		
11	Bin Control Mounting Bracket		3A5726-01	1	1	-																	
	Ultrasonic Sensor Holder		4A7285-01		1	1																	
11a	Thumbscrews		415949G10	2	2	-																	
						1																	
12	Main Transformer		4A5695-01	1	1	1																	
13	Voltage Tap Switch		4A1477-01	1	1	1																	
Refrigeration Circuit																							
14	Compressor		4A5093-03	1	1	1																	
15	Condenser		3A7236-01	2	2	2																	
15a	Hex Head Bolt w/Washer	5x12	7B0130512	4	4	4																	
15b	Condenser Bracket		3A7864-01	1	1	1																	
16	Water Regulating Valve		4A0911-07	1	1	1																	
17	Male Connector		4A1087-01	1	1	1																	
18	Left or Right Evaporator Bank Assembly	SP-5371	2A8347G01	2	2	2																	
19	Separator Hook		324152-01	8	8	8																	
20	Thermostatic Expansion Valve		4A5847-01	3	3	3																	
21	Thermostatic Expansion Valve Cover		3A0944-01	3	3	3																	
22	Thermostatic Expansion Valve Bulb Holder		3A0107-01	3	3	3																	
23	Clamp		443461-02	3	3	3																	
24	Hot Gas Valve Body		4A3978-01	1	1	1																	
25	Liquid Line Valve Body		4A3276-01	1	1	1																	
26	Valve Coil		4A3277-01	2	2	2																	
26a	Bolt		4A3277F01	1	1	1																	
27	Check Valve		4A2054-01	3	3	3																	
28	High-Pressure Switch		463180-05	1	1	1																	
29	Thermistor		429006-03	1	1	1																	
30	Thermistor Holder		438247-01	1	1	1																	
31	Strainer		441569-04	1	1	1																	
32	Drier		4A1338-01	1	1	1																	
33	Heat Exchanger		2A8406G01	1	1	1																	

A. Ice Cuber Assembly & Refrigeration Circuit

KM-2600SRJ(Z)3

1/2

N-0 and Earlier

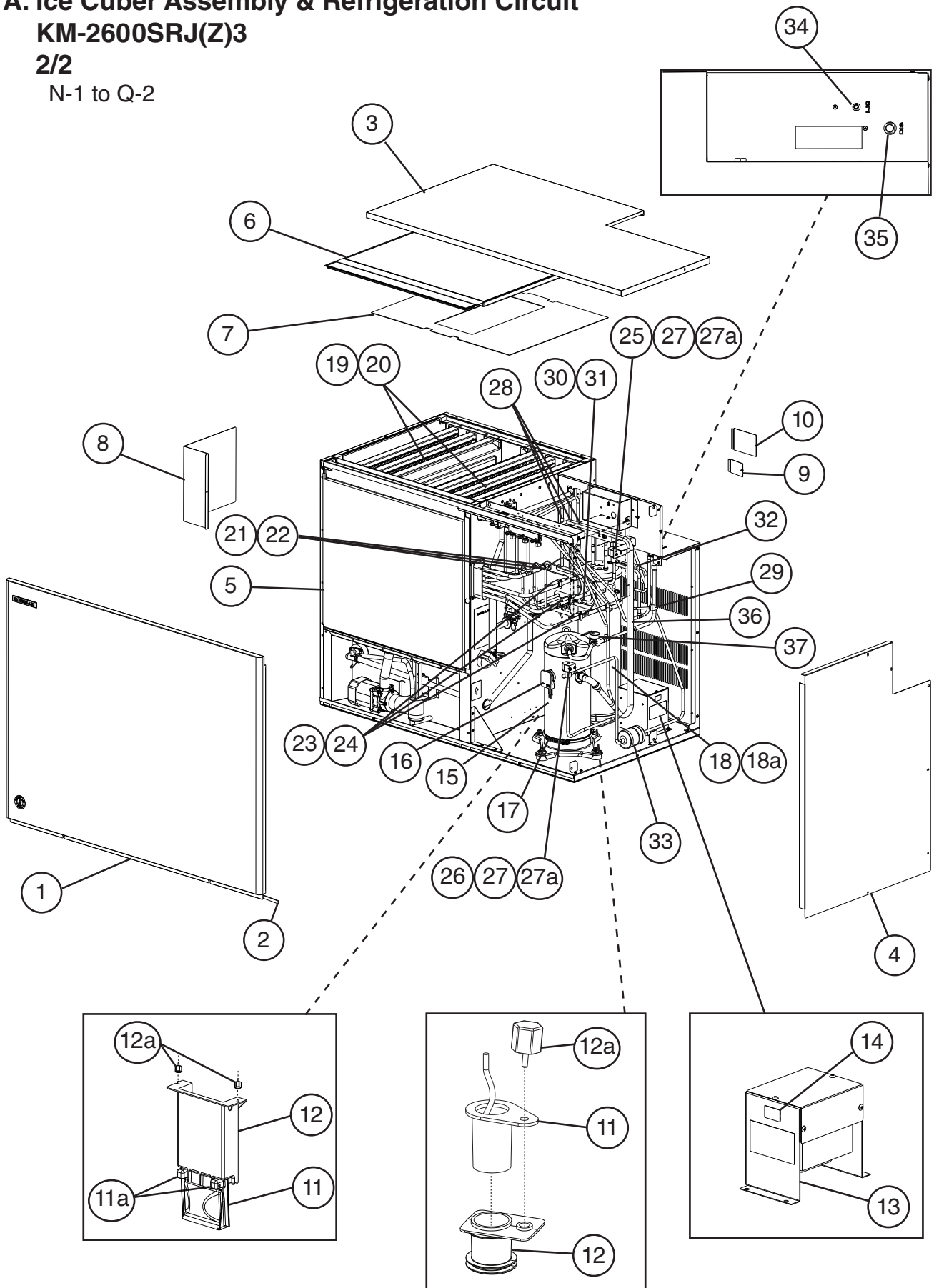


A. Ice Cuber Assembly & Refrigeration Circuit

KM-2600SRJ(Z)3

2/2

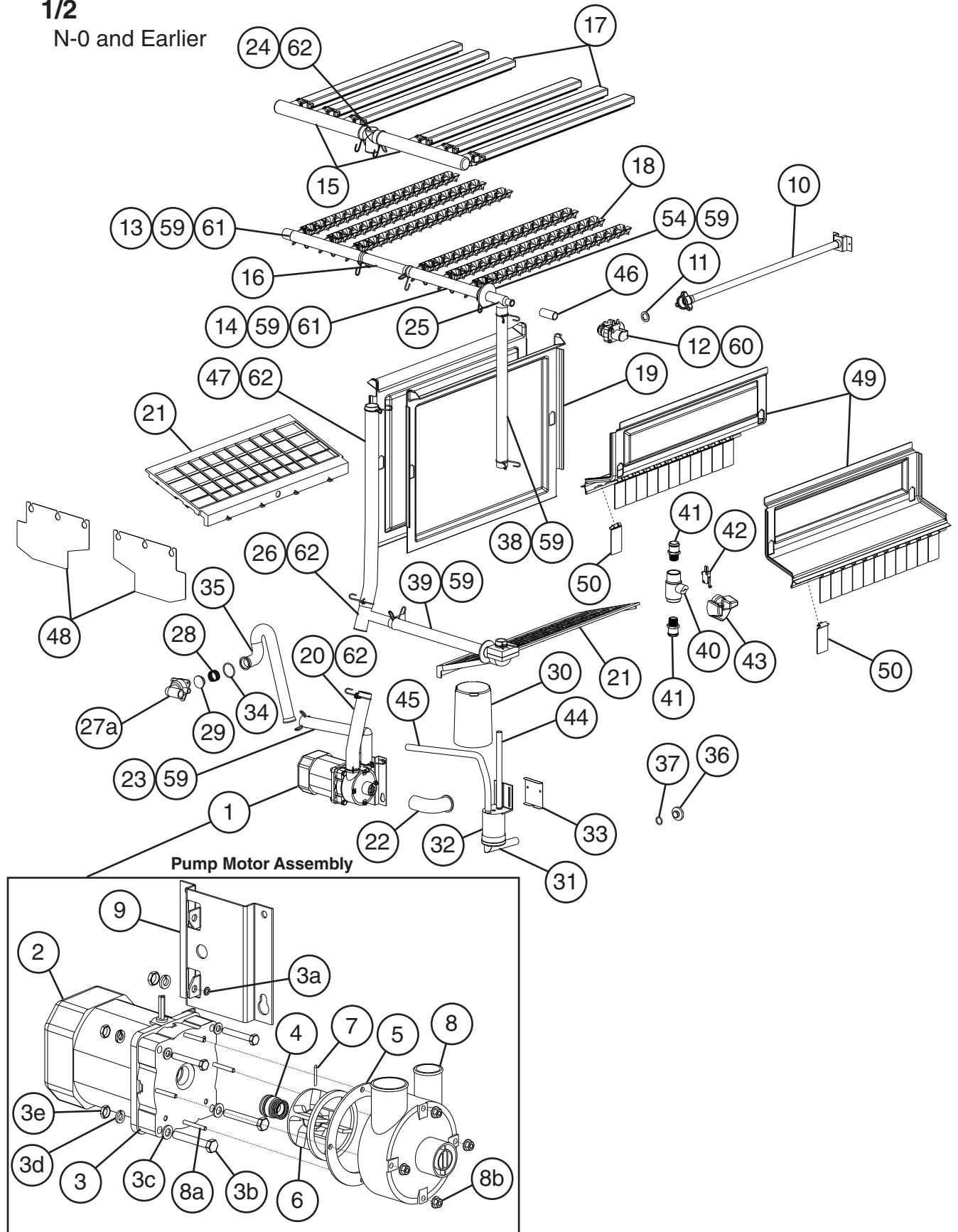
N-1 to Q-2



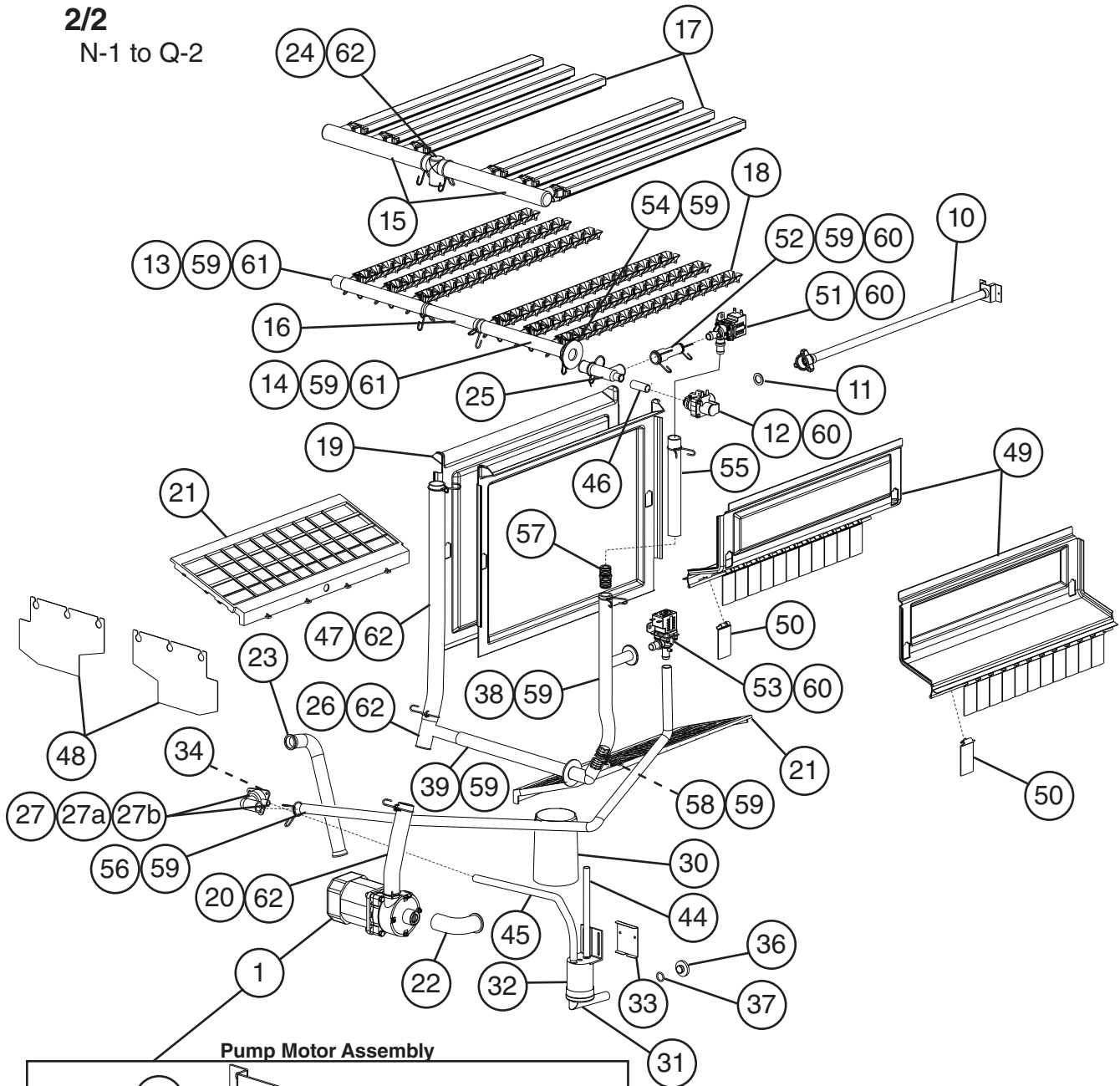
Title: A. Ice Cuber Assembly & Refrigeration Circuit Model: KM-2600SRJ(Z)3										
Index No.	Description	Material or Model Number	Part Number	Required Number						
				G-0 to L-0	M-0 to N-0	N-1 to Q-1	Q-2			
Ice Cuber Assembly										
1	Front Panel Assembly	KM-2600SRJ3	3A1838G01	1	1	-				
		KM-2600SRJZ3	3B2126G01			1	1			
2	Gasket		4A0808L02	1	1	1	1			
3	Top Panel		2A8390-01	1	1	1	1			
4	Right Side Panel		2A8391-01	1	1	1	1			
5	Front Insulation		326041G01	1	1	1	1			
6	Top Insulation		324216G01	1	1	1	1			
7	Spacer		324321-01	1	1	1	1			
8	Control Box Cover	KM-2600SRJ3	3A2386-03	1						
		KM-2600SRJZ3			1	1	-			
		KM-2600SRJZ3	3B2171-01				1			
9	Junction Box Cover (A)		433410-01	1	1	1	1			
10	Junction Box Cover (B)		4A4704-01	1	1	1	1			
11	Mechanical Bin Control		2A4393G01	1	1	1	-			
	Ultrasonic Bin Control		4A6148G02			1	1			
11a	Thumbscrews		415949G10	2	2	2				
12	Bin Control Mounting Bracket		3A5726-01	1	1	1	-			
	Ultrasonic Sensor Holder		4A7285-01				1			
12a	Thumbscrews		415949G10	2	2	2	-			
							1			
13	Main Transformer		4A5695-01	1	1	1	1			
14	Voltage Tap Switch		4A1477-01	1	1	1	1			
Refrigeration Circuit										
15	Compressor		4A6007-01	1	1	1	1			
16	Compressor Plug		4A5751-01	1	1	1	1			
17	Crankcase Heater		4A5750-01	1	1	1	1			
18	Receiver		4A6215-01	1	1	1	1			
18a	Hex Head Bolt w/Washer	5x10	7B0130510	2	2	2	2			
19	Left or Right Evaporator Bank Assembly	SP-5371	2A8347G01	2	2	2	2			
20	Separator Hook		324152-01	8	8	8	8			
21	Thermostatic Expansion Valve		4A5847-01	3	3	3	3			
22	Thermostatic Expansion Valve Cover		3A0944-01	3	3	3	3			
23	Thermostatic Expansion Valve Bulb Holder		3A0107-02	3	3	3	3			
24	Clamp		443461-02	3	3	3	3			
25	Hot Gas Valve Body		4A3978-01	1	1	1	1			
26	Liquid Line Valve Body		4A3276-01	1	1	1	1			
27	Valve Coil		4A3277-01	2	2	2	2			
27a	Bolt		4A3277F01	2	2	2	2			
28	Check Valve		4A2054-01	3	3	3	3			
29	High-Pressure Switch		463180-04	1	1	1	1			
30	Thermistor		429006-03	1	1	1	1			
31	Thermistor Holder		438247-01	1	1	1	1			

Title: A. Ice Cuber Assembly & Refrigeration Circuit											Model: KM-2600SRJ(Z)3				
Index No.	Description	Material or Model Number	Part Number	Required Number											
				G-0 to L-0	M-0 to N-0	N-1 to Q-1	Q-2								
32	Strainer		441569-04	1	1	1	1								
33	Drier		4A1338-01	1	1	1	1								
34	Liquid Line Coupling	KM-2600SRJ3	426554-01	1	-										
	Liquid Line Shut-Off Valve	KM-2600SRJZ3	4A3491-01		1	1	1								
35	Discharge Line Coupling	KM-2600SRJ3	434072-01	1	-										
	Discharge Line Shut-Off Valve	KM-2600SRJZ3	4A3490-01		1	1	1								
36	Heat Exchanger		2A8355G01	1	1	1	1								
37	Discharge Line Thermostat		4A6035-01	1	1	1	1								

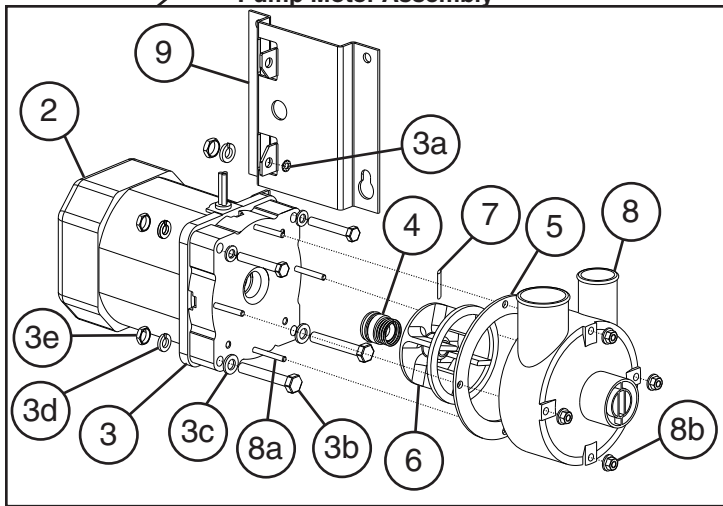
B. Water Circuit
KM-2600SWJ3, KM-2600SRJ(Z)3
1/2
 N-0 and Earlier



B. Water Circuit
KM-2600SWJ3, KM-2600SRJ(Z)3
2/2
 N-1 to Q-2



Pump Motor Assembly



Title: B. Water Circuit Model: KM-2600SWJ3, KM-2600SRJ(Z)3												
Index No.	Description	Material or Model Number	Part Number	Required Number								
				G-0 to L-0	M-0 N-0	N-1 to P-0	P-2 to Q-0	Q-1 Q-2				
1	Pump Motor Assembly (includes items 2 through 8b)	SP-0730	215692A03	1	1	-						
			2B0567A01			1	1	1				
2	Pump Motor		4A7462-01	1	1	1	1	1				
3	Pump Flange		215662-01	1	1	1	1	1				
3a	Tooth Washer		7R22-0600	2	2	2	2	2				
3b	Hex Head Bolt	6x40	7B02-0640	4	4	4	4	4				
3c	Flat Washer		7W22-0600	4	4	4	4	4				
3d	Split Lock Washer		7L22-0600	4	4	4	4	4				
3e	Hex Nut		7N12-0600	4	4	4	4	4				
4	Mechanical Seal		4A3820-03	1	1	1	1	1				
5	Packing		428547-01	1	1	1	1	1				
6	Impeller		436584-01	1	1	1	1	1				
7	Pin		4A0648-01	1	1	1	1	1				
8	Pump Housing		213687-01	1	1	-						
			4A6641-01			1	1	1				
8a	Hex Head Bolt	4x55	7B02-0455	4	4	4	4	4				
8b	Hex Flange Nut		7J02-0400	4	4	4	4	4				
9	Pump Motor Bracket		323904-01	1	1	1	1	1				
10	Water Supply Pipe	KM-2600SWJ3	4A0768G04	1	1	1	1	1				
		KM-2600SRJZ3	4A0768G11						1			
11	Rubber Gasket		413854-03	1	1	1	1	1				
12	Inlet Water Valve		3U0111-01	1	1	1	-	1				
			3B1433-01					1	-			
13	Distributor Hose A		325738-01	1	1	1	1	1				
14	Distributor Hose B		325738-02	1	1	1	1	1				
15	Distributor Hose C		325739-01	2	2	2	2	2				
16	Joint Pipe		439297-01	1	1	1	1	1				
17	Spray Tube		437049G01	6	6	6	6	6				
18	Spray Guide		2A4282-02	6	6	6	6	6				
19	Separator A		215046-01	2	2	2	2	2				
20	Vinyl Hose	L=230 mm	7716B2732	1	1	1	1	1				
21	Cube Guide		214243-01	2	2	2	2	2				
22	Hose A		435091-01	1	1	1	1	1				
23	Hose B		325867-01	1	1	-						
							1	1	1			
24	Distributor A		439266-01	1	1	1	1	1				
25	Distributor B (Tee)		439239-01	1	1	1	1	1				
26	Distributor C		439238-01	1	1	1	1	1				
27	Drain Housing Assembly (Includes items 27a and 27b)		3B1598G01			1	1	1				
27a	Drain Valve Housing		323613-01	1	1	1	1	1				
27b	Joint Pipe		4A6286-01			1	1	1				
28	Drain Valve Spring		322110-01	1	1							
29	Drain Valve Seat		433705-01	1	1							
30	Overflow Cap		325866-01	1	1	1	1	1				
31	Float Switch Connector		426799-04	1	1	1	1	1				
32	Float Switch Assembly		4A3624-01	1	-							
			4A7077G01		1	1	1	1				

Title: B. Water Circuit Model: KM-2600SWJ3, KM-2600SRJ(Z)3

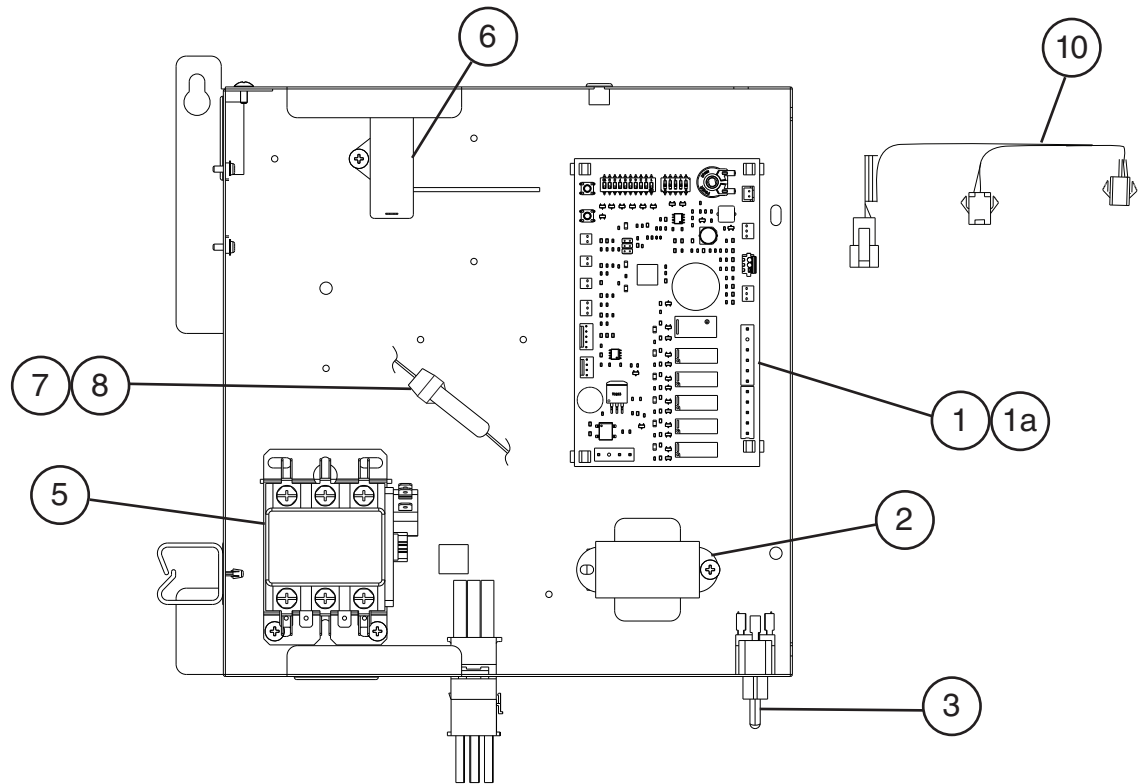
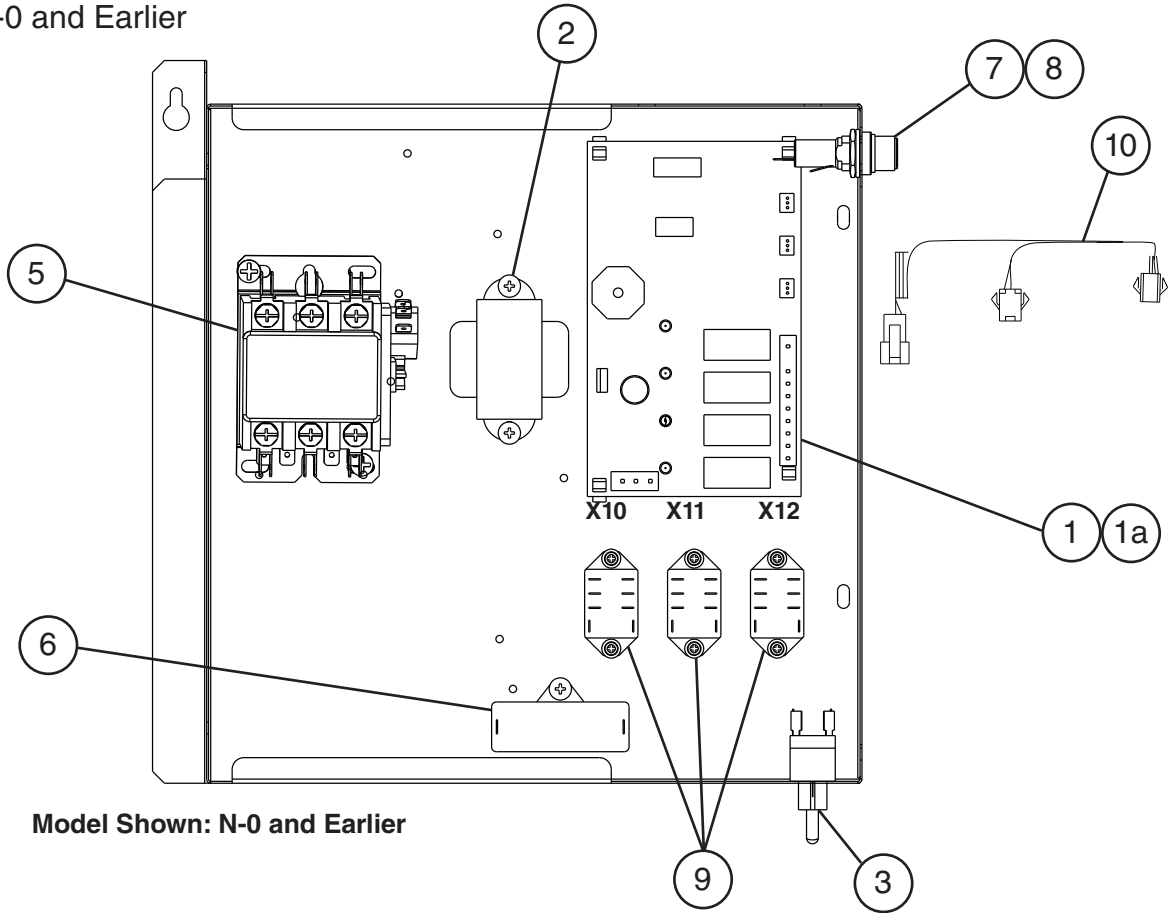
Index No.	Description	Material or Model Number	Part Number	Required Number										
				G-0 to L-0	M-0 N-0	N-1 to P-0	P-2 to Q-0	Q-1 Q-2						
33	Float Switch Stop		3A9640-01	1	1	1	1	1						
34	Drain Valve O-Ring		7611-G035	1	1	1	1	1						
35	Drain Hose		325869-01	1	1									
36	Drain Plug		309246-01	1	1	1	1	1						
37	O-Ring		7611-P015	1	1	1	1	1						
38	Joint Hose		439309-01	1	1	1	-							
			2A8823-01				1	1						
39	Bypass Hose		439237-02	1	1	1	1	1						
40	Control Valve Ball Valve	S-0761	439293-01	1	1									
41	Control Valve Male Adaptor		325826-01	2	2									
42	Control Valve Microswitch		4A2546-01	1	1									
43	Control Valve Handle		215383-01	1	1									
44	Silicone Hose	L=190 mm	7730I3812	1	1	1	1	1						
45	Silicone Hose	L=430 mm	7730I3896	1	1	1	1	1						
46	Vinyl Hose	L=40 mm	7716B1519	1	1	-								
	Silicone Hose		3B1462-01			1	1	1						
47	Vinyl Hose	L=228 mm	7716B2732	1	1	1	1	1						
48	Splash Guard		4A6141-01	2	2	2	2	2						
49	Splash Curtain		1A4890-01	2	2	2	2	2						
50	Separator		3A9811-01	24	24	24	24	24						
51	Cleaning Valve		4A5745-06			1	1	1						
52	Vinyl Hose	L=60 mm	3B1462-01			1	1	1						
53	Drain Valve		4A5745-07			1	1	1						
54	Flange		439267-02	1	1	1	1	1						
55	Silicone Hose		7716B1216			1	1	1						
56	Silicone Hose		7716B1519			1	1	1						
57	Hose Barb		4A7351-01			1	1	1						
58	Hose Barb B		2A8823-03			1	1	1						
Hose Clamps														
59	Hose Clamp	25 mm	427443-03	9	9	9	9	9						
60	Hose Clamp	18 mm	427443-05			6	6	6						
61	Hose Clamp	13.5 mm	427443-07	6	6	6	6	6						
62	Hose Clamp	32 mm	427443-09	6	6	6	6	6						

C. Control Box Assembly

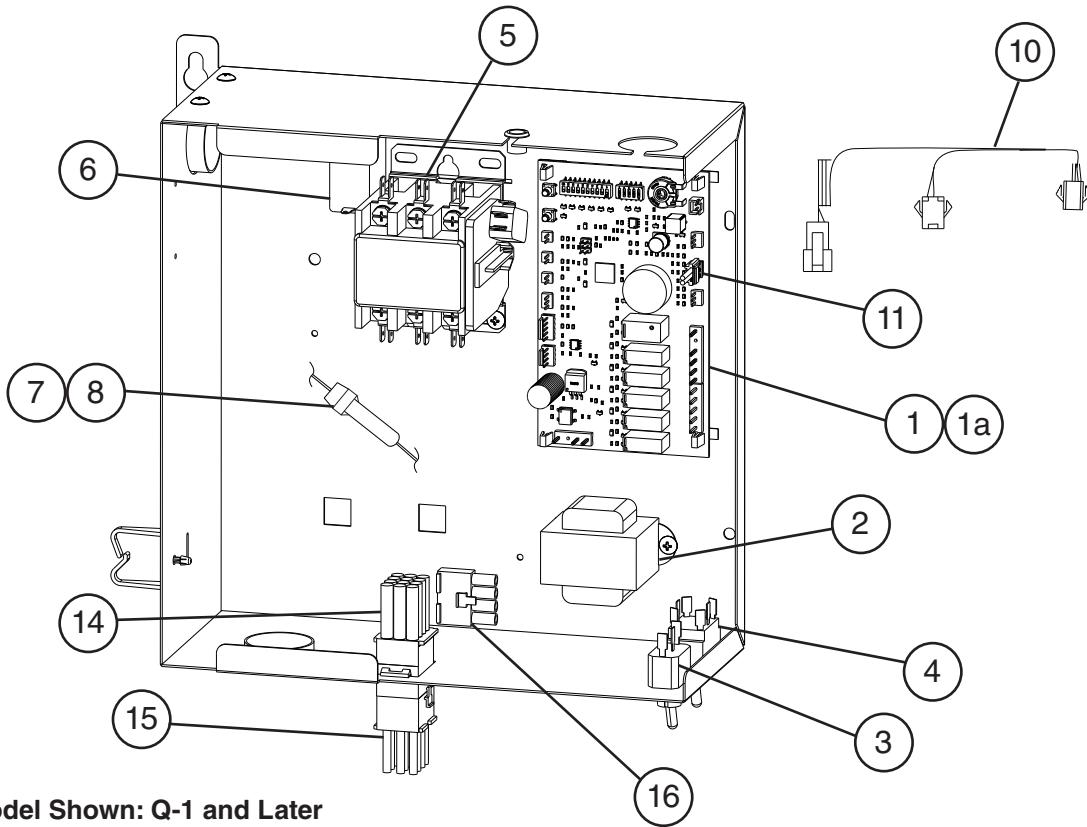
KM-2600SWJ3, KM-2600SRJ(Z)3

1/2

N-0 and Earlier



C. Control Box Assembly
KM-2600SWJ3, KM-2600SRJ(Z)3
2/2
N-1 to Q-2

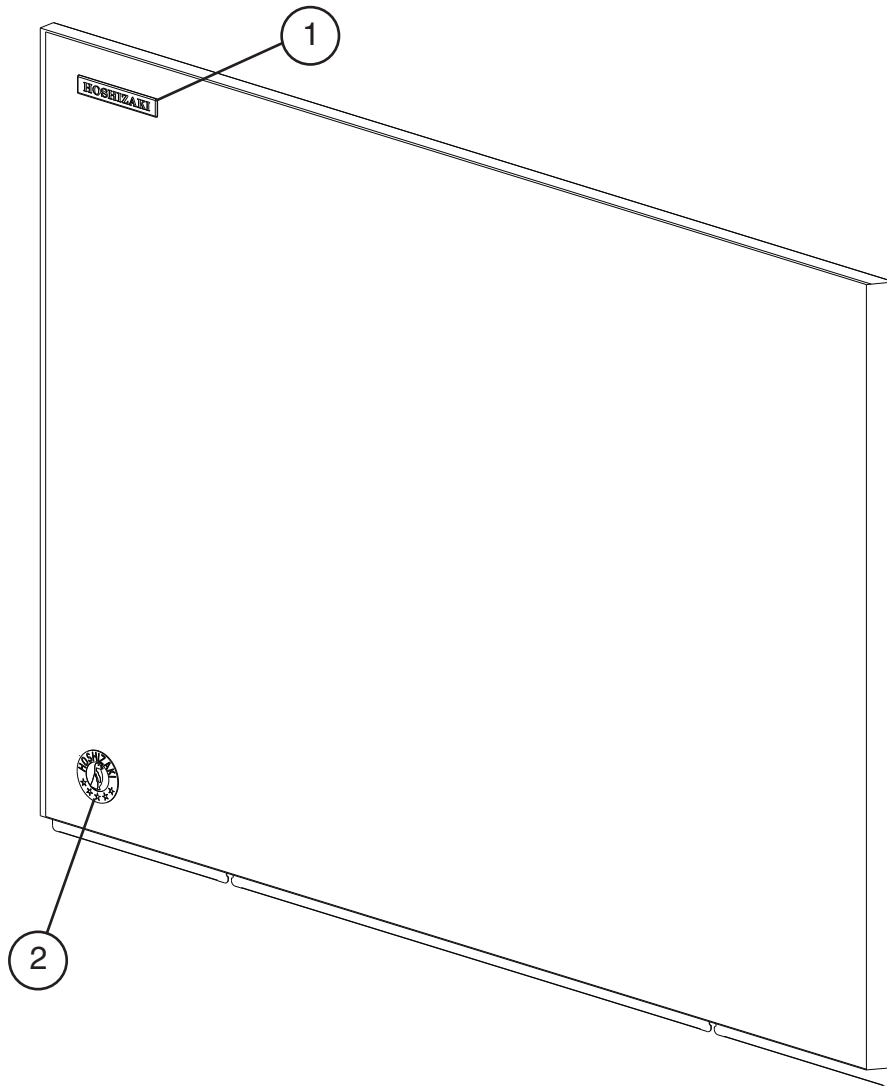


Model Shown: Q-1 and Later

Title: C. Control Box Assembly Model: KM-2600SWJ3, KM-2600SRJ(Z)3

Index No.	Description	Material or Model Number	Part Number	Required Number									
				G-0 to N-0	N-1 to Q-2								
1	Control Board		2A7664-04	1	-								
			2A9678-02		1								
1a	Control Board Support		4A0336-03	4	4								
2	Control Transformer		3A0172-01	1	1								
3	Control Switch		443119-01	1	-								
			4A0985-01		1								
4	Mode Switch		4A6232-01		1								
5	Magnetic Contactor	KM-2600SWJ3	4A0794-02	1	1								
		KM-2600SRJ(Z)3	4A0794-01	1	1								
6	Pump Motor Capacitor	15MFD, 240VAC	439705-01	1	1								
7	Fuse Holder		4A5443-01	1	-								
	In-Line Fuse Holder		4A6950-01		1								
8	Fuse	ACG-10A 250VAC	4A0893-07	1	1								
9	Relay (X10 = Pump Direction X11 = Control X12 = Slush Control)		406132-07	3	-								
10	Bin Control Wire Harness	KM-2600SRJ3	4A5197G01	1	1								
11	Wire Harness	KM-2600SWJ3	4A7670G01		1								
12	Pump Motor Harness (not shown)	KM-2600SRJ3	3B1815G01		1								
13	Compressor Harness (not shown)		1A4899-02		1								
14	Wire Harness A	KM-2600SWJ3	1A7315-01		1								
15	Wire Harness B	KM-2600SWJ3	1A7316-01		1								
		KM-2600SRJ3	1A5696-01		1								
16	Wire Harness C	KM-2600SRJ3	1A5697-01		1								
17	Wire Harness D (not shown)	KM-2600SRJ3	1A5760-01		1								

D. Accessories & Labels
KM-2600SWJ3, KM-2600SRJ(Z)3
 G-0 to Q-2



Title: D. Accessories & Labels Model: KM-2600SWJ3, KM-2600SRJ(Z)3												
Index No.	Description	Material or Model Number	Part Number	Required Number								
				G-0 to Q-2								
1	Hoshizaki Emblem		4A0560-01	1								
2	Penguin Label		475552L02	1								
3	Universal Brace		4A0363-01	2								
4	Hex Head Bolt		7B02-0512	4								