

RADIANT COOKTOP SPECIFICATIONS

	LCE3010SB	LCE3610SB
TYPE	ELECTRIC	ELECTRIC
Size	30"	36"
Cooking Surface	Radiant Glass Surface	Radiant Glass Surface
Number of Elements	5	5

FEATURES

Controls Type / Location	SmoothTouch™ Glass Controls / Front Center	SmoothTouch™ Glass Controls / Front Center
Hot Surface Indicator	•	•
Child Lock	•	•
Auto Shutoff	•	•
Under Counter Oven Capable	•	•
Warm Function	•	•
Accessories	N / A	N / A

CONFIGURATION

Left Front	6" / 1200W	6" / 1200W
Left Rear	8" / 1900W	8" / 5" / 1900 / 950W (Dual)
Center	7" / 1500W	12" / 9" / 6" / 3000 / 2200 / 1100W (Triple)
Right Front	9" / 6" / 3000 / 1400W (Dual)	9" / 6" / 3000 / 1400W (Dual)
Right Rear	6" / 100W (Warm)	6" / 100W (Warm)

MATERIALS / FINISHES

Available Colors	Smooth Black	Smooth Black
Elements	Grey Patterned on Black Ceramic Glass	Grey Patterned on Black Ceramic Glass
Surface / Frame Trim	Ceramic Glass / No Trim	Ceramic Glass / No Trim

DIMENSIONS

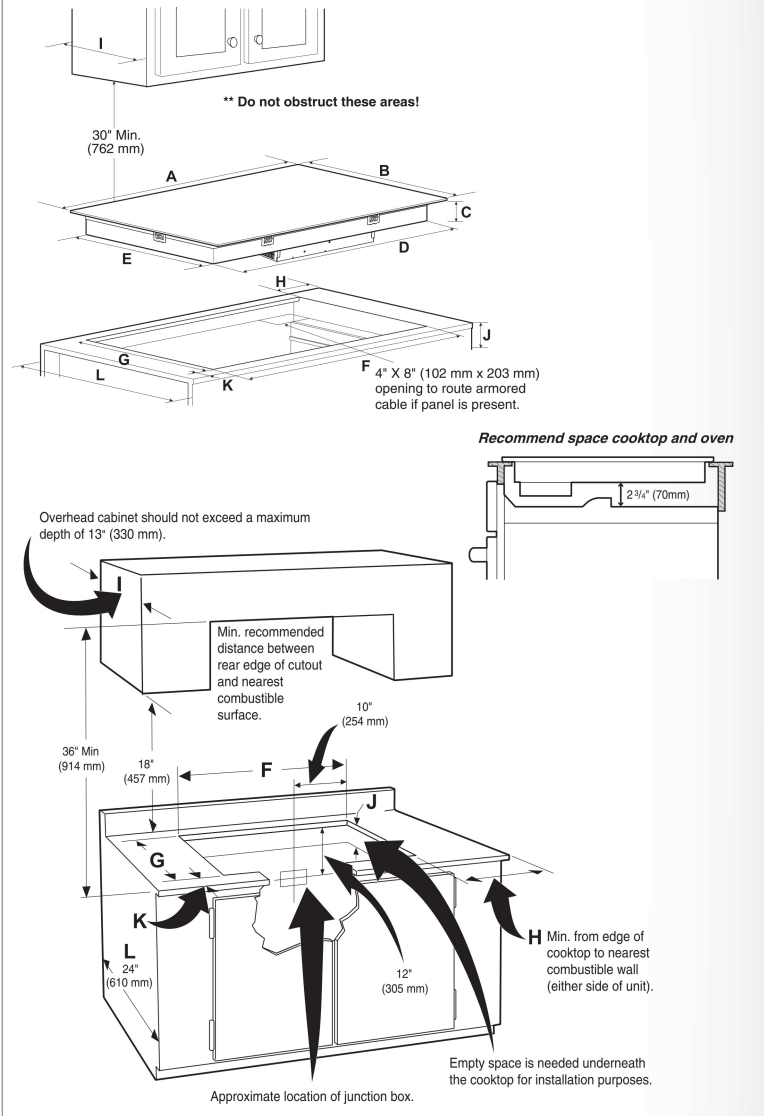
Product (W x H x D)	30 27/32" x 4" x 21 1/2"	36 11/16" x 4" x 22"
Cutout (W x D)	29 3/8" x 20 1/4"	34 9/16" x 20 3/8"
Net Weight	34 lbs	43 lbs

POWER SOURCE

Electrical Requirements	240V / 208V, 60Hz AC	240V / 208V, 60Hz AC
Max. Amp Load @240V	40 Amp	50 Amp
Power Cable Location	Right Rear	Right Rear
Total Connection Load	7.7kW @ 240V, 5.8kW @ 208V	10.5kW @ 240V, 7.9kW @ 208V

N / A = Not applicable

30" & 36" RADIANT COOKTOPS



INCHES	A	B	C	D	E	F (MIN)	G (MIN)	H	I (MAX)	J (MAX)	K	L
30-Inch Models	30 27/32	21 1/2	3 3/4	28 13/16	19 5/8	29 3/8	20 1/4	13/16	13	5 23/32	2 1/2	24
36-Inch Models	36 11/16	21 15/16	3 3/4	33 27/32	19 25/32	34 9/16	20 3/8	13/16	13	5 23/32	2 1/2	24

All electric cooktops run off a single phase, three-wire or four-wire cable, 240 / 208 volt, 60 hertz, AC-only electrical supply ground. Minimum distance between cooktop and overhead cabinetry is 30". Allow 2" space below the armored cable opening to clear the electric cable and allow space for installation of the junction box on the wall at the back of the cooktop.