

KM 2012 G
Gas cooktop
with a mono wok burner for special applications.



- Simple controls -single-handed operation via rotary dial control
- Professional design – 25 5/8 (650) in (mm) wide stainless steel trough
- Particularly versatile – 4 burners incl. 1 mono wok
- Extremely safe – GasStop function
- Easy cleaning – ComfortClean dishwasher-safe grates

EAN: 4002516354093 / Material number: 11471350 /
Old Material Number: 26201250USA

General information	
Model number	KM 2012 G
Manufacturer material number	11471350
EAN number	4002516354093
Marketing class	Silver
Heating type	
Fuel type	Gas
Design	
Independent of oven	•
Design	
Stainless steel trough	•
Cast iron pot rest (matte black enameled)	•
Cooking zone details	
No. of rings	4
Gas burner power rating	
Small burner in kW	1.11
Small burner in BTU/h	3800
Normal burner in kW	1.61
Normal burner in BTU/h	5500
Mono wok burner in kW	3.31
Mono wok burner in BTU/h	11300
1st cooking zone/cooking area	
Position	front left
Type	Single wok burner
2nd cooking zone/cooking area	
Position	rear left
Type	Economy burner
3rd cooking zone/cooking area	
Position	rear right
Type	Standard burner
4th cooking zone/cooking area	
Position	front right
Type	Standard burner
User convenience	
Operation via knobs	•
Electronic ignition with one-handed operation	•
Cleaning convenience	
Dishwasher-save trivets	•
PerfectClean burner	•
Safety	
GasStop	•
Technical data	
Dimensions (H x W x D) in mm	3 5/8 (90) x 25 5/8 (650) x 20 1/2 (520)
Dimensions (width) in in. (mm)	25 5/8 (650)
Dimensions (height) in in. (mm)	3 5/8 (90)
Depth in in. (mm)	20 1/2 (520)
Cutout dimensions (width) in in. (mm)	22 1/8 in (560 mm)

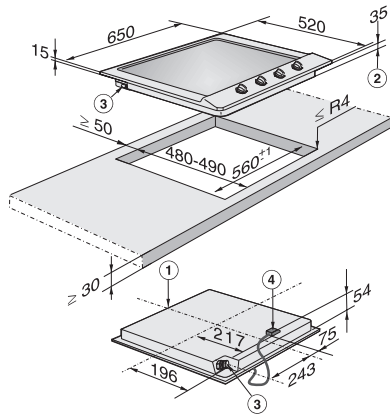
KM 2012 G
Gas cooktop
with a mono wok burner for special applications.



EAN: 4002516354093 / Material number: 11471350 /
Old Material Number: 26201250USA

Cutout dimensions (depth) in in. (mm)	19 in (480 mm)
Weight in lbs. (kg)	30 (14)
Total connected load in kW	7.60
Power cord length in in. (m)	3 (1.2)
Position of gas connection	Hinten links
Voltage in V	120
Frequency in Hz	60
Standard accessories	
Power cord	No

KM 2012 G
Gas cooktop
with a mono wok burner for special applications.



KM2010G (Installation drawing)

1. Front, 2. Building-in depth, 3. Gas connection R 1/2 - ISO 7-1 (DIN EN 10226), 4. Mains connection box with mains connection cable, L = 2000 mm