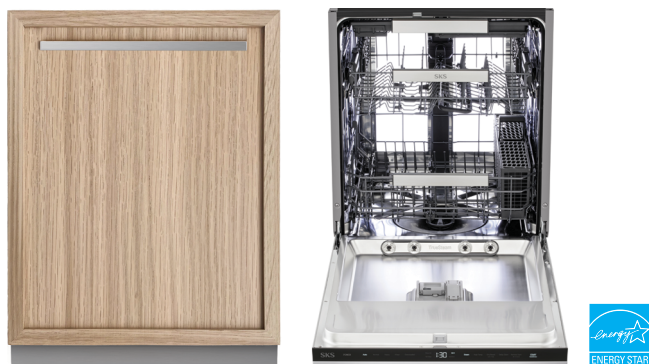


SKSDW2422P

24-inch PowerSteam® Panel-Ready Dishwasher (2nd Generation)



FlushFit™

Design offers a seamless, integrated style that elevates your kitchen in an instant.

1-Hour Wash & Dry Cycle

QuadWash™ Pro and Dynamic Heat Dry™ work together to deliver a complete wash and dry in just 1 hour.

QuadWash™ Pro

High-pressure jets with 38% more cleaning power*, spray dishes from multiple angles, while soaking them with over one million microbubbles.

PowerSteam® for Cleanability and Sanitation

Harness the power of steam for superior cleaning and fewer water spots, leaving dishes sparkling. The Steam cycle is certified by the National Sanitation Foundation to reduce bacteria by 99.999% and reach a final rinse temperature over 150°F for added peace of mind.**

BlastZone™ Bottle Wash

Powers through bottles, bakeware, and more in just 1 hour.

Dynamic Heat Dry™

Dynamic Heat Dry circulates hot air for faster and thorough drying including hard to dry plastics so dishes are table ready right off the rack.

Easy Loading and Maximum Flexibility

EasyRack™ Plus offers exceptional flexibility, adjusting to almost any load for optimal cleaning. The height-adjustable 3rd rack adds space for everything from flatware to wine glasses.

Wi-Fi Enabled ThinQ® Technology

ThinQ® Technology with ThinQ Care offers extra peace of mind—monitor cycle status, start cycles remotely, receive alerts, and access specialized wash programs, all from your mobile device.

Innovation

Wi-Fi Enabled for ThinQ® Control with iPhone / Android App	Yes
Remote Operations	Yes

Performance

TrueSteam™ Technology	Yes
QuadWash™ Pro	Yes
Inverter Direct Drive™ Technology	Yes
LoDecibel™ Quiet Operation	40 dBA
Number of Spray Arms	4 (Top, Upper, Lower, Bottle)
SenseClean™ Wash System	Yes
Bottle Wash	Yes
Vario Wash	Yes
Hidden Water Heater	Yes
Dynamic Heat Dry™ with Auto Open Door Drying System	Yes
Safety Float Switch (Leaks)	Yes
Soil (Turbidity) Sensor	Yes

Features

Number of Wash Cycles	5 (Auto, Heavy, Normal, 1-Hour, Download Cycle)
Number of Options	5 (Steam, High Temp, Dry Boost, Delay Start, Remote Start)
End of Cycle Indicator	Beeper + END Indication on Display
Detergent and Rinse-Aid Dispenser	Yes
Lighting: Backwall	Yes
Anti-Bacterial Treatment (Drain hose)	Yes

*As compared to our standard QuadWash

**PowerSteam Dishwashers certified by NSF achieve a minimum 99.999 percent reduction of bacteria when operated on the Steam cycle.

©2026 LG Electronics USA, Inc. All rights reserved. "SKS" and the SKS logo are registered trademarks of LG Electronics Inc. Design, features and specifications are subject to change without notice. Specifications are for planning purposes only. Consult the product's installation instructions for final dimensional data and other details prior to making cutouts or custom panels. Consult with a heating and ventilation engineer for your specific ventilation requirements. Non-metric weights and measurements are approximate. Smart features require Internet access. 1-855-790-6655 | www.sksappliances.com

SKSDW2422P

24-inch PowerSteam® Panel-Ready Dishwasher (2nd Generation)

SKS

Style and Design

Door Style	Panel Ready
Flush Installation	Yes
Touch-Activated Electronic Controls	Top Control
Cycle Track	Floor Time Display
Time Remaining Indicator	LCD Light Beam
Tub Material	Stainless Steel

Capacity

Total Place Settings	16
EasyRack™ Plus System	Yes
Height-Adjustable 3rd Rack	Premium
Height Adjustable Upper Rack	Yes
Height Adjustability	Easy One Touch (3 Level)
Maximum Height of Upper Rack	71" (180mm)
Maximum Height of Lower Rack	12.5" (320mm)
Cutlery Baskets	Yes
Cup Rack	Yes
Stemware Holder	Yes
Side Rack (Frying Pan)	Yes
Fold Down Tines (3rd Rack, Upper Rack, Lower Rack)	Yes
BPA-Free Nylon Coated Racks / Tines	Yes
Rack Handles (3rd Rack, Upper Rack, Lower Rack)	Yes
Rack Glides	
3rd Rack	Gliding Rail
Upper Rack	Gliding Rail
Lower Rack	Premium Wheels

Technical Specs

ENERGY STAR® Certified	Yes
CEE Tier Level	1
Energy Use (kWh/Year)	220 kWh/Year
Water Use (Gallons/Cycle)	2.9
Required Power Supply	120 V, 60 Hz, 15 Amp
Inlet Water Temperature	120 °F min. - 149 °F max.
Water Pressure	20 - 80 psi

Dimensions and Weight

Overall Width (Inches)	23 3/4"
Overall Height (Inches)	33 5/8"
Overall Depth (Inches)	23 3/4"
Depth with Door Open	48 1/2"
Depth with Door Closed (includes 3/4" panel)	23 3/4"
Net Weight (approx.)	96
Shipping Weight (approx.)	107

Optional Accessories

Brushed Aluminum Handle, Short - 22 3/4"	
Professional	SKSHK230HS
Transitional	SKSHK230HST

Warranty Summary*

Limited Warranty, Parts & Labor	3 Years
Limited Warranty on Control Board, Rack Parts, and Stainless Steel Door Liner or Tub, Parts Only	5 Years
Limited Warranty on Direct Drive Motor, Parts Only	10 Years

UPC

SKSDW2422P	195174149607
------------	--------------

*These warranties give you specific legal rights and you may have other rights that vary from state to state. For complete warranty details, refer to your Use & Care manual.

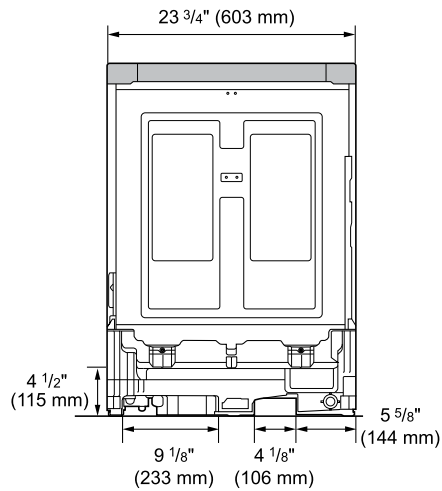
SKSDW2422P

24-inch PowerSteam® Panel-Ready Dishwasher (2nd Generation)

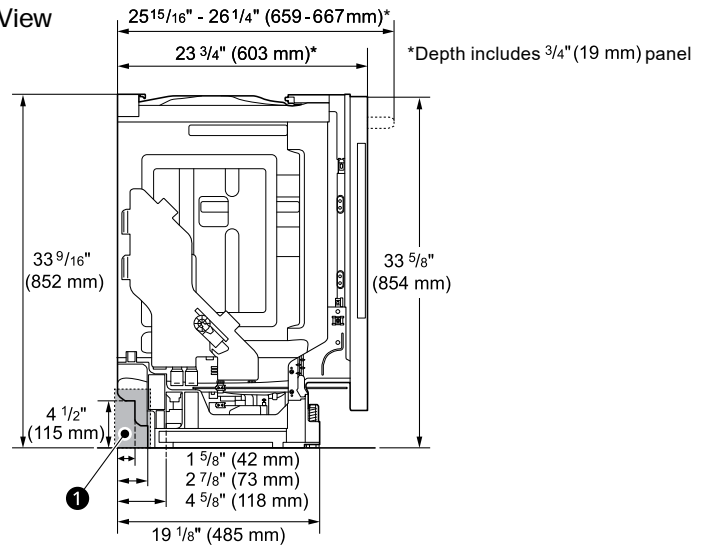


Overall Product Dimensions

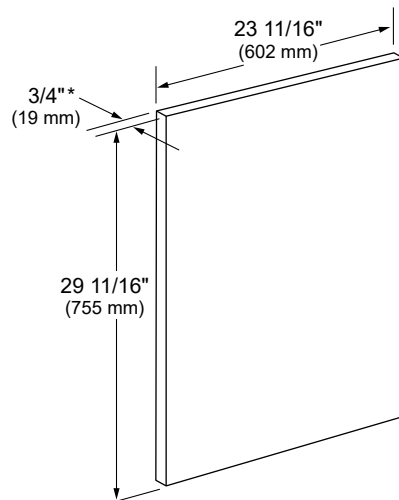
Back View



Side View

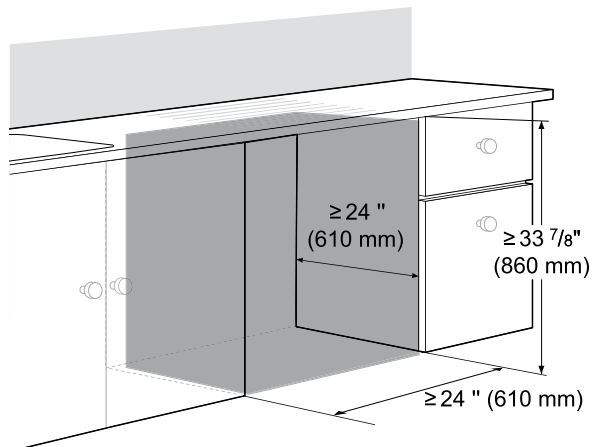


Custom Panel Dimensions



*3/4" (20 mm) recommended panel thickness.
5.5-24.2 lb. panel weight.

Installation Clearances



Notes

This dishwasher is designed to fit a standard dishwasher opening. An opening may be needed on both sides to route plumbing and electrical connections. See marked areas above for water and electrical clearances in base of dishwasher.

To ensure proper drainage, install the dishwasher no more than 12 ft. (3.65 m) from the sink.

Electrical connection should be in an accessible location adjacent to and not behind the dishwasher and within 4 ft. (1.2 m) of the dishwasher's side.