



INSTALLATION GUIDE

GAS RANGE

UPSG3014ST



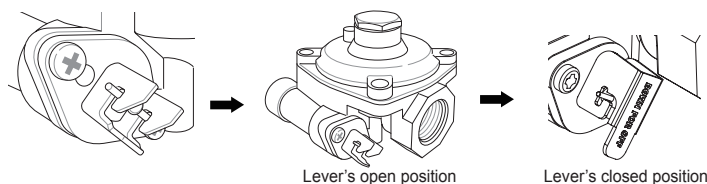
MFL68920505_02

INSTALLATION SAFETY PRECAUTIONS

Have the installer show you the location of the range gas shut-off valve and how to shut it off if necessary.

WARNING

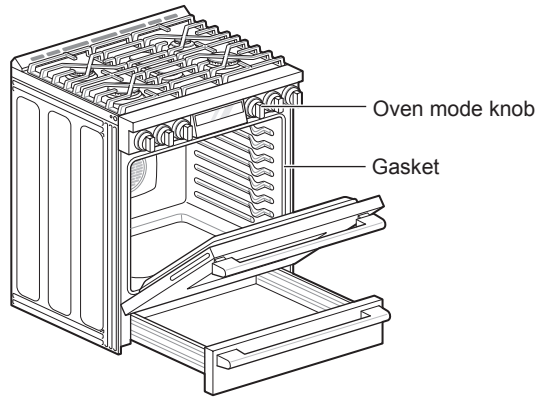
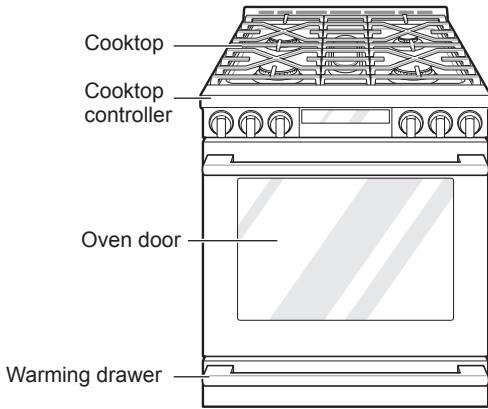
- Make sure your range is properly installed and grounded by a qualified installer, according to the installation instructions. Any adjustment and service should be performed only by qualified gas range installers or service technicians.
- Make sure your range is properly adjusted by a qualified service technician or installer for the type of gas (natural or LP) that is to be used. Your range can be converted for use with either type of gas. See the installation instructions.
- These adjustments must be done by a qualified service technician according to the manufacturer's instructions and all codes and requirements of the authority having jurisdiction. Failure to follow these instructions could result in serious injury or property damage. The qualified agency performing these adjustments assumes responsibility for the conversion.
- Disconnect the electrical supply before servicing the appliance.
- Never use the appliance door as a step stool or seat, as this may result in possible tipping of the appliance and serious injuries.
- This product should not be installed below ventilation type hood systems that direct air in a downward direction.
Doing so may cause ignition and combustion problems with the gas burners resulting in personal injury and may affect the cooking performance of the unit.
- Plug your range into a 120-volt grounded outlet only. Do not remove the round grounding prong from the plug. If in doubt about the grounding of the home electrical system, it is your personal responsibility and obligation to have an ungrounded outlet replaced with a properly grounded, three-prong outlet in accordance with the National Electrical Code. Do not use an extension cord with this range.
- To prevent fire hazard or electrical shock, do not use an adapter plug, an extension cord, or remove the grounding prong from the electrical power cord. Failure to follow this warning can cause serious injury, fire or death.
- To prevent poor air circulation, place the range out of the kitchen traffic path and out of drafty locations.
- Do not attempt to repair or replace any part of your range unless it is specifically mentioned in this manual. All other services should be referred to a qualified technician.
- Make sure that all packaging materials are removed from the range before operating it to prevent fire or smoke damage should the packaging material ignite.
- In an emergency situation or if you want to shut off the gas supply, close the regulator valve by positioning the lever as shown in the figure below.



- After using your range for an extended period of time high floor temperatures may result. Many floor coverings will not withstand this kind of use.
- Never install the range over vinyl tile or linoleum that cannot withstand such type of use. Never install it directly over interior kitchen carpeting.

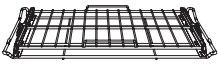
PRODUCT OVERVIEW

Parts

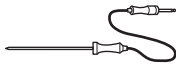


Accessories

Included Accessories



Gliding rack (3ea)



Meat probe (1ea)



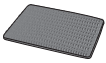
Griddle (1ea)



Rear filler (1ea)



Spray bottle (1ea)

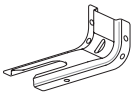


Non-scratch scouring pad (1ea)

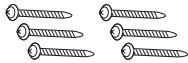


Owner's manual (1ea)

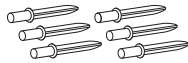
Anti-tip kit



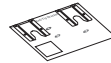
Anti-tip



Screws (6ea)

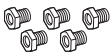


Anchors (6ea)



Template

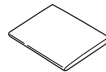
LP nozzle conversion kit



Cooktop Nozzles (5ea)

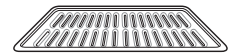


Oven Nozzles (2ea)

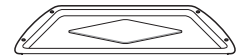


Installation guide (1ea)

Optional Accessories



Grid



Broiler pan

NOTE

- Contact SIGNATURE KITCHEN SUITE Customer Service at 1-855-790-6655 if any accessories are missing.
- For your safety and for extended product life, only use authorized components.
- The manufacturer is not responsible for product malfunction or accidents caused by the use of separately purchased, unauthorized components or parts.
- The images in this guide may be different from the actual components and accessories, which are subject to change by the manufacturer without prior notice for product improvement purposes.

INSTALLATION

Before Installing the Range

Make sure your range is properly installed and grounded by a qualified installer, according to the installation instructions. Any adjustment and service should be performed only by qualified gas range installers or service technicians.

In the Commonwealth of Massachusetts

- This product must be installed by a licensed plumber or gas fitter.
- When using ball type gas shut-off valves, they must be the T-handle type.
- When using a flexible gas connector, it must not exceed 3 feet in length.

Preparing for Installation

Tools Needed



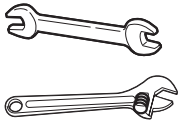
Phillips screwdriver



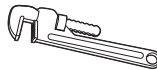
Flat-blade screwdriver



Pencil and ruler



Open-end or adjustable
wrench



Pipe wrench (2)
(one for support)



Level

Materials You May Need

- Gas line shut-off valve
- Pipe joint sealant that resists action of natural and LP gases
- Flexible metal appliance connector ($\frac{3}{4}$ " or $\frac{1}{2}$ " NPT x $\frac{1}{2}$ " I.D.)
Never use an old connector when installing a new range.
- Flare union adapter for connection to gas supply line ($\frac{3}{4}$ " or $\frac{1}{2}$ " NPT x $\frac{1}{2}$ " I.D.)
- Flare union adapter for connection to pressure regulator on range ($\frac{1}{2}$ " NPT x $\frac{1}{2}$ " I.D.)
- Liquid leak detector or soapy water
- Lag bolt or $\frac{1}{2}$ " O.D. sleeve anchor (for concrete floors only)

Installing the Range

Unpacking and Moving the Range

CAUTION

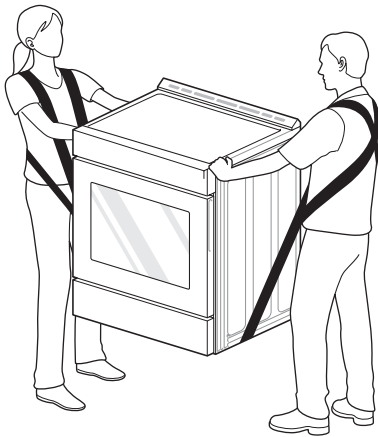
- **You should use two or more people to move and install the range. (Excessive Weight Hazard)** Failure to do so can result in back or other injury.
- **Do not use the door handles to push or pull the range during installation or when moving the range out for cleaning or service.** Doing so can result in serious damage to the door of the range.

Remove packing material, tape and any temporary labels from your range before using. Do not remove any warning-type labels, the model and serial number label, or the Tech Sheet that is located on the back of the range.

To remove any remaining tape or glue, rub the area briskly with your thumb. Tape or glue residue can also be easily removed by rubbing a small amount of liquid dish soap over the adhesive with your fingers. Wipe with warm water and dry.

Do not use sharp instruments, rubbing alcohol, flammable fluids, or abrasive cleaners to remove tape or glue. These products can damage the surface of your range.

Your range is heavy and can be installed on soft floor coverings such as cushioned vinyl or carpeting. Use care when moving the range on this type of flooring. Use a belt when moving the range to prevent damaging the floor. Or slide the range onto cardboard or plywood to avoid damaging the floor covering.



Choosing the Proper Location

Do not locate your range where it may be subject to strong drafts. Any openings in the floor or wall behind the range should be sealed. Make sure the openings around the base of the range that supply fresh air for combustion and ventilation are not blocked by carpeting or woodwork.

Your range, like many other household units, is heavy and can be installed on soft floor coverings such as cushioned vinyl or carpeting. Use care when moving the range on this type of flooring.

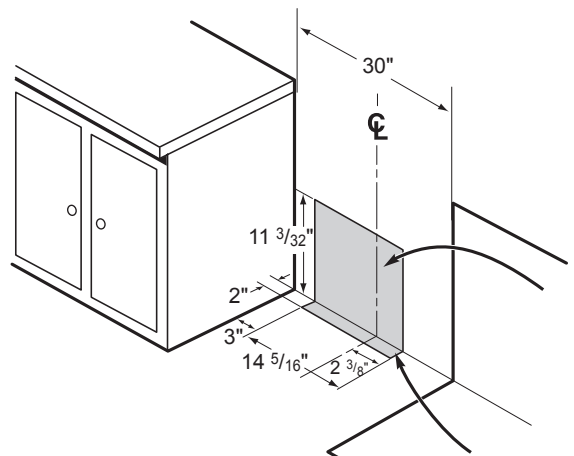
This appliance must not be installed with a ventilation system that blows air downward toward the range. This type of ventilation system may cause ignition and combustion problems with the gas cooking appliance resulting in personal injury or unintended operation.

When the floor covering ends at the front of the range, the area that the range will be installed on should be built up with plywood to the same level or higher than the floor covering. This will allow the range to be moved for cleaning and servicing, as well as provide proper air flow to the range.

Also, make sure the floor covering can resist temperatures of at least 167 °F (75 °C). See the Installation Safety Instructions included in this manual.

Make sure the wall coverings around your range can resist heat generated up to 194 °F (90 °C) by the range. See the Installation Safety Instructions included in this manual.

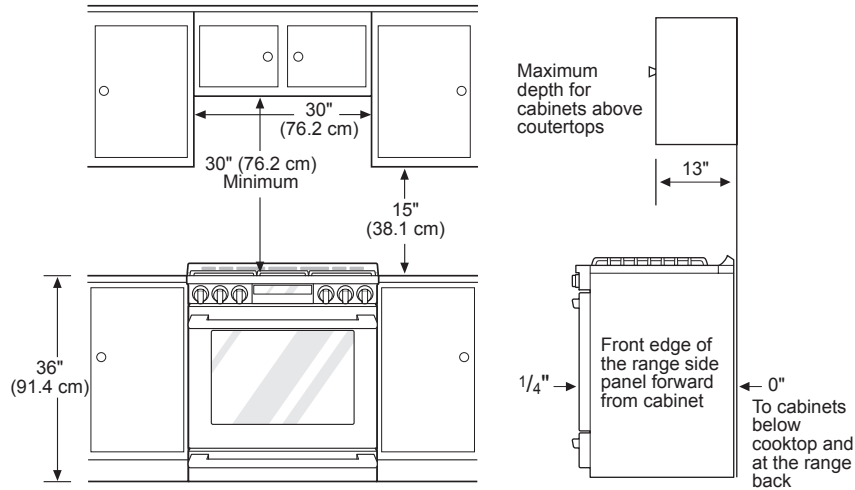
Gas Pipe and Electrical Outlet Locations



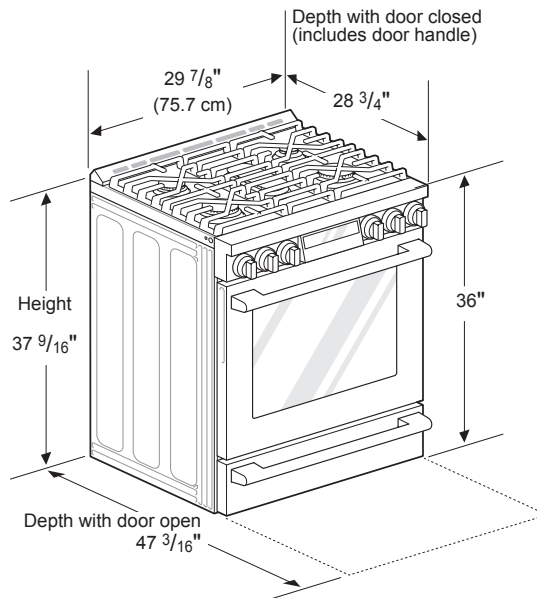
Dimensions and Clearances

Provide proper clearance between the range and adjacent combustible surfaces. These dimensions must be met for safe use of your range. The location of the electrical outlet and pipe opening (see Gas Pipe and Electrical Outlet Locations, page 14) may be adjusted to meet specific requirements. The range may be placed with 0" clearance (flush) at the back wall.

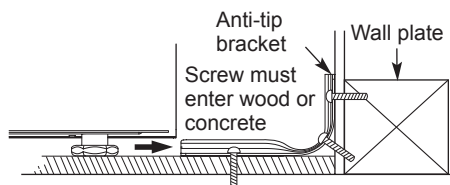
Installation Clearances



Dimensions



Installing the Anti-tip Device



The anti-tip bracket is packaged with an installation template. The instructions include necessary information to complete the installation. Read and follow the range installation instruction sheet.

WARNING

- Range must be secured with an approved anti-tip device.
- The range could be tipped by standing, sitting or leaning on an open door if the range or anti-tip device is not properly installed.
- After installing the anti-tip device, verify that it is in place by carefully attempting to tilt the range forward.
- This range has been designed to meet all recognized industry tip standards for all normal conditions.
- The installation of the anti-tip device must meet all local codes for securing the appliance.
- The use of this device does not preclude tipping of the range when not properly installed.

Optional Rear Filler

If the counter does not bridge the opening at the rear wall the rear filler kit, that is provided with the slide-in range, will be needed.

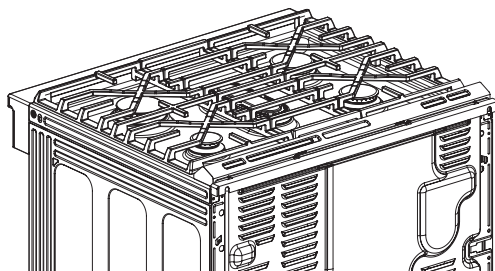
NOTE

If the countertop depth is greater than 25" there will be a gap between the filler kit and the back wall.

If the countertop depth is less than 24", the control panel will not sit flush with the countertop.

Installing the Rear Filler

- 1 Using a screwdriver, remove the upper four screws that attach the rear bracket and loosen the lower two screws.
- 2 Place the rear filler on the rear bracket.



- 3 Tighten the two lower screws on the rear bracket. Insert one of the screws removed in step 1 in the slot at each end of the rear filler.
- 4 Store the remaining two screws with these instructions for future use.

Providing Adequate Gas Supply

Your range is designed to operate at a pressure of 5" of water column on natural gas or 10" of water column on LP.

Make sure you are supplying your range with the type of gas for which it is configured.

This range is convertible for use on natural or LP gas. When using this range on LP gas, conversion must be made by a qualified LP installer before attempting to operate the range.

For proper operation, the pressure of natural gas supplied to the regulator must be between 5" and 13" of water column.

For LP gas, the pressure supplied to the regulator must be between 10" and 13" of water column. When checking for correct operation of the regulator, the inlet pressure must be at least 1" more than the operating (manifold) pressure as given above.

The pressure regulator located at the inlet of the range must remain in the supply line regardless of which type of gas is being used.

A flexible metal appliance connector used to connect the range to the gas supply line should have an I.D. of $\frac{5}{8}$ " and a maximum length of 5 feet. In Canada, flexible connectors must be single wall metal connectors less than 6 feet in length.

Connecting the Range to Gas

Shut off the range gas supply valve before removing the old range and leave it off until the new hook-up has been completed.

Because hard piping restricts movement of the range, the use of a CSA International-certified flexible metal appliance connector should be used unless local codes require a hard-piped connection.

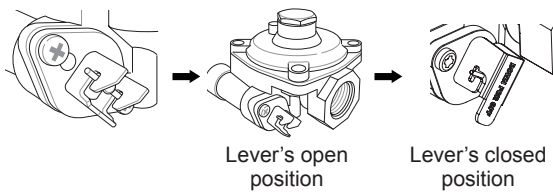
A manual valve shall be installed in an accessible location in the gas piping external to the appliance for the purpose of turning on or shutting off gas to the appliance.

Never reuse an old connector when installing a new range.

To protect against gas leaks, use a qualified pipe joint sealant on all external threads.

- 1 Install a male 1/2" or 3/4" flare union adapter to the NPT internal thread of the manual shut-off valve, taking care to back-up the shut-off valve to keep it from turning.
- 2 Install a male 1/2" flare union adapter to the 1/2" NPT internal thread at the inlet of the pressure regulator. Use a backup wrench on the pressure regulator fitting to prevent damage.

In an emergency situation or if you want to shut off the gas supply, close the regulator valve by positioning the lever as shown in the figure below.



- 3 Connect a flexible metal appliance connector to the adapter on the range. Position the range to permit connection at the shut-off valve.
- 4 When all connections have been made, be sure all range controls are in the **Off** position and turn on the main gas supply valve. Gas leaks may occur in your system and create a hazard. Gas leaks may not be detected by smell alone.

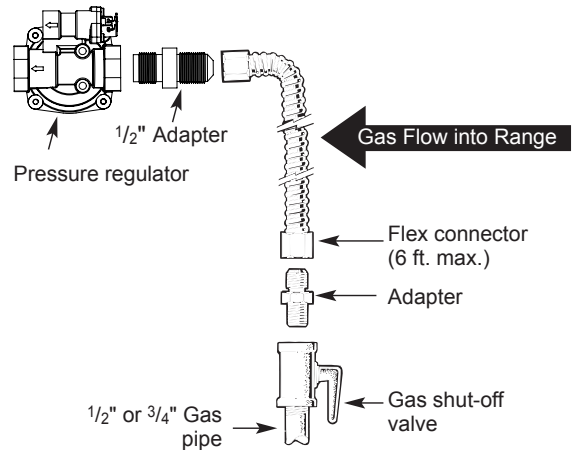
Check all gas connection joints and fittings for leaks with a non-corrosive leak detection fluid, then wipe off.

Gas suppliers recommend you purchase and install a UL approved gas detector. Install and use in accordance with the installation instructions.

WARNING

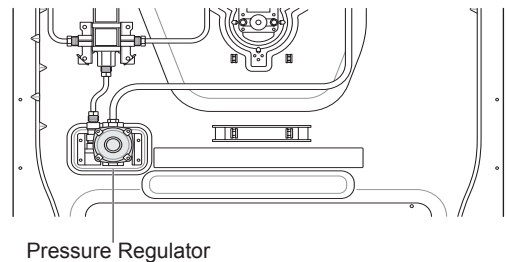
- Do not use a flame to check for gas leaks.
- Isolate the range from the gas supply system by closing its individual shut-off valve during any pressure testing of the gas supply system at test pressures equal to or less than 1/2" psig (3.5 kPa).

Flexible Connector Hookup



Installer: Inform the consumer of the location of the gas shutoff valve.

Pressure Regulator Position



Electrical Connections

Electrical Requirements

120 Volt, 60 Hz, properly grounded dedicated circuit protected by a 15 or 20 Amp circuit breaker, or slow blow fuse.

If an external electrical source is utilized, the appliance, when installed, must be electrically grounded in accordance with local codes or, in the absence of local codes, with the National Electrical Code, ANSI/NFPA 70.

Grounding

IMPORTANT: FOR PERSONAL SAFETY, THIS APPLIANCE MUST BE PROPERLY GROUNDED.

The power cord of this appliance is equipped with a 3-prong (grounding) plug which mates with a standard 3-prong grounding wall receptacle to minimize the possibility of electric shock hazard from this appliance.

The customer should have the wall receptacle and circuit checked by a qualified electrician to make sure the receptacle is properly grounded.

Where a standard two-prong wall receptacle is encountered, it is the personal responsibility and obligation of the customer to have it replaced with a properly grounded three-prong wall receptacle.

DO NOT, UNDER ANY CIRCUMSTANCES, CUT OR REMOVE THE THIRD (GROUND) PRONG FROM THE POWER CORD.

A word about GFCI's – GFCI's are not required or recommended for gas range receptacles.

Ground Fault Circuit Interrupters (GFCI's) are devices that sense leakage of current in a circuit and automatically switch off power when a threshold leakage level is detected. These devices must be manually reset by the consumer. The National Electrical Code requires the use of GFCI's in kitchen receptacles installed to serve countertop surfaces.

Performance of the range will not be affected if operated on a GFCI-protected circuit but the occasional resetting of the circuit can become an annoyance.

Do not use an adapter plug. Disconnecting the power cord places undue strain on the adapter and leads to eventual failure of the adapter ground terminal.

Installation must conform with local codes or, in the absence of local codes, with the National Fuel Gas Code, ANSI Z223.1/NFPA 54.

The installation of appliances designed for mobile home installation must conform with the Manufactured Home Construction and Safety Standard, Title 24 CFR, Part 3280 (formerly the Federal Standard for Mobile Home Construction and Safety, Title 24, HUD, Part 280) or, when such standard is not applicable, the Standard for Manufactured Home Installations, latest edition (Manufactured Home Sites, Communities and Set-Ups), ANSI A225.1, latest edition, or with local codes. In Canada, mobile home installation must be in accordance with the current CAN/CSA Z240/MH Mobile Home Installation Code.

Sealing the Openings

Seal any openings in the wall and floor after electrical and gas supply connections are completed.

Preferred Method



CAUTION

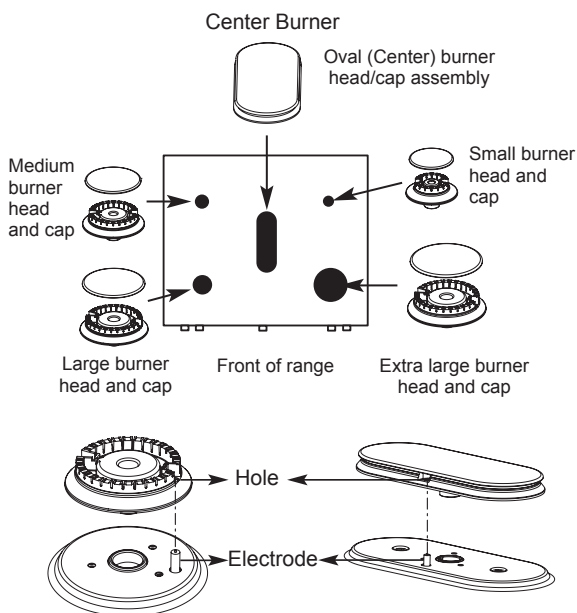
Have the circuit checked by a qualified electrician to make sure the receptacle is properly grounded.

Assembling the Surface Burners

CAUTION

Do not operate the burners without all parts in place.

Place the burner caps and heads on the cooktop. Make sure that the caps and heads are placed in the correct locations. There is one small, one medium, one large, one oval(center), and one extra large burner head and cap.



Make sure the hole in the burner head is positioned over the electrode.

Checking Ignition of the Surface Burners

Electric Ignition

Select a surface burner knob and simultaneously push in and turn to the **Lite** position. You will hear a clicking sound indicating proper operation of the spark module.

Once the air has been purged from the supply lines the burner should ignite within 4 seconds. After the burner ignites, rotate the knob out of the **Lite** position. Try each burner in succession until all burners have been checked.

Quality of Flames

The combustion quality of the burner flames needs to be confirmed visually.



A Yellow flames - Call for service.



B Yellow tips on outer cones - This is normal for LP gas.



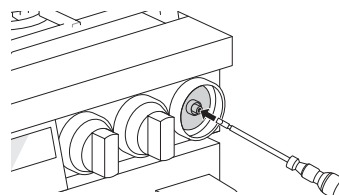
C Soft blue flames - This is normal for natural gas.

NOTE

- With LP gas, some yellow tipping on outer cones is normal.

Adjusting the Surface Burner to the Low Flame (Simmer) Setting

- 1 Light all surface burners.
- 2 Turn the knob on the burner being adjusted to **Lo**.
- 3 Remove the knob.
- 4 Insert a small, flat-blade screwdriver into the valve shaft.



NOTE

Hold the valve shaft with one hand while turning the screw to adjust with the other.

- 5 Replace the knob.
- 6 Test the flame stability.

Test 1: Turn the knob from **Hi** to **Lo** quickly. If the flame goes out, increase the flame size and test again.

Test 2: With the burner on a **Lo** setting, open and close the oven door quickly. If the flame is extinguished by the air currents created by the door movement, increase the flame height and test again.
- 7 Repeat steps 1-6 for each surface burner.

Checking Operation of Bake / Broil Burners

To check ignition of the Bake burner, follow the steps below:

- 1 Remove all packing materials from inside the oven cavity.
- 2 Turn oven mode knob to select **Bake**. 350 °F appears in the display.
- 3 Press **Start**.

It may take between 30 and 90 seconds for the burner to start heating.

To check ignition of the Broil burner, follow the steps below:

- 1 Turn oven mode knob to select **Broil High**. **Hi** appears in the display.
- 2 Make sure the door is closed.
- 3 Press **Start**.

It may take between 30 and 90 seconds for the burner to start heating.

NOTE

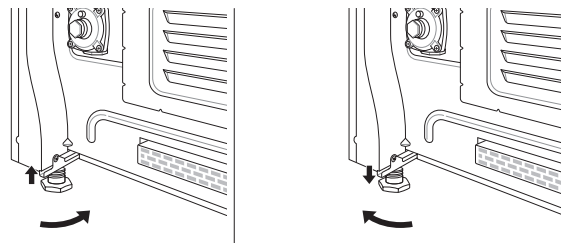
Do not try to light either the Bake or Broil burners during a power outage. The range has an electrical ignition system and cannot be used without power.

Adjusting Air Shutters (for LP Conversions)

The range comes from the factory with the air shutters adjusted for proper air flow for natural gas. If converted to LP, follow the instructions provided in the conversion kit to properly adjust the air shutters. LP conversion must be performed by a qualified technician.

Leveling the Range

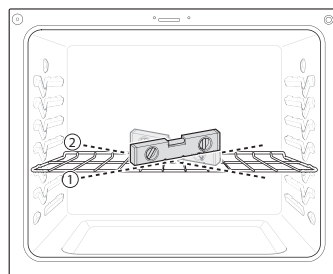
Level the range by adjusting the leveling legs. Extending the legs slightly may also make it easier to insert the rear leg into the anti-tip bracket.



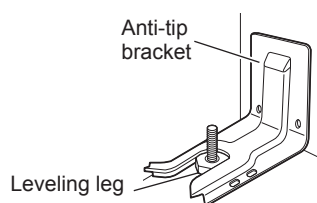
Use a level to check your adjustments. Place the level diagonally on the oven rack, and check each direction for level.

First check direction ①.

Then check direction ②. If the level doesn't show level on the rack, adjust the leveling legs.



Engaging the Anti-tip Device



- 1 Slide the range against the wall, making sure the back leg slides into and engages the anti-tip bracket.
- 2 Check for proper installation by grasping the front edge of the cooktop and carefully attempting to tilt the range forward.



GUÍA DE INSTALACIÓN COCINA DE GAS

UPSG3014ST



MFL68920505_02

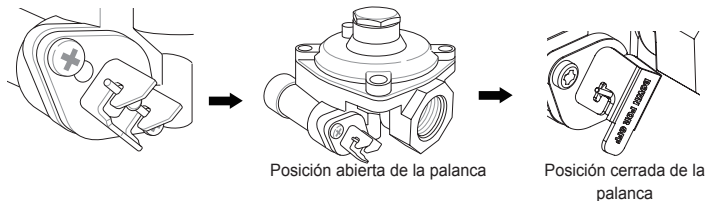
www.thesignaturekitchen.com

PRECAUCIONES DE SEGURIDAD PARA LA INSTALACIÓN

Pida que el instalador le muestre el lugar de la válvula que corta el gas de la cocina y cómo apagarla si fuera necesario.

ADVERTENCIA

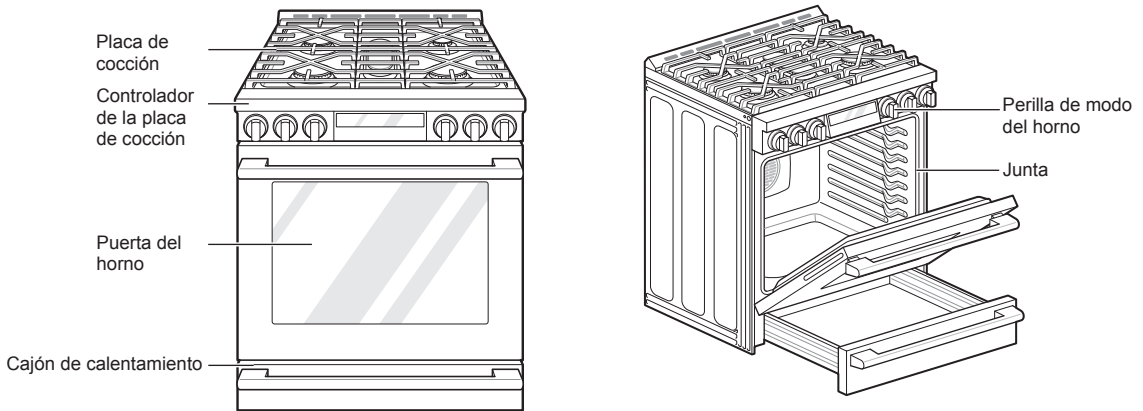
- Haga que un instalador calificado instale y conecte a tierra su cocina de acuerdo con las Instrucciones de instalación. Cualquier ajuste o servicio debe ser completado solo por instaladores de cocinas de gas calificados o técnicos de servicio.
- Asegúrese de que su cocina sea ajustada correctamente por un técnico de servicio o un instalador calificado para el tipo de gas (natural o LP) que se usará. Su cocina se puede convertir para uso con cualquier tipo de gas. Consulte las instrucciones de instalación.
- Estos ajustes deben ser completados por un técnico de servicio calificado de acuerdo con las instrucciones del fabricante y todos los códigos y requisitos de la autoridad que tiene jurisdicción. El incumplimiento de estas instrucciones podría causar lesiones graves o daños a la propiedad. La agencia calificada que realice este trabajo asume la responsabilidad de la conversión.
- Desconecte el suministro eléctrico antes de realizar mantenimiento al aparato.
- Nunca use la puerta de la cocina como escalón o asiento, ya que esto puede inclinar la cocina y producir lesiones graves.
- Este producto no se debe instalar debajo de sistemas de ventilación de tipo campana que dirijan el aire hacia abajo. Hacerlo podría causar problemas de encendido y combustión en los quemadores de gas, lo que puede generar lesiones personales y podrían afectar el funcionamiento de la unidad.
- Enchufe su cocina a una toma de corriente de pared conectada a tierra de 120 voltios. No quite la punta redonda de conexión a tierra del enchufe. Si existen dudas acerca de la conexión de tierra del sistema eléctrico de la casa, es su responsabilidad personal y su obligación reemplazarla por un tomacorriente adecuado para tres puntas con conexión a tierra de acuerdo con el National Electrical Code (Código Eléctrico Nacional). No use un cable de extensión ni un adaptador con esta cocina.
- Para prevenir riesgos de incendio o descarga eléctrica, no use un adaptador ni retire la punta con conexión a tierra del enchufe eléctrico. El incumplimiento de estas advertencias podría causar lesiones, incendio o incluso la muerte.
- Sitúe la cocina fuera de las áreas muy transitadas de la cocina y fuera de lugares ventilados para evitar circulación de aire inadecuada.
- No intente reparar ni reemplazar ninguna pieza de su cocina, excepto en caso de que este manual lo mencione específicamente. Un técnico calificado debe estar a cargo de todas las demás tareas de mantenimiento.
- Asegúrese de quitar todos los materiales de empaque de la cocina antes de operarla para evitar incendio o daños del humo si los materiales de empaque se encendieran.
- En una situación de emergencia o si desea cortar el suministro de gas, cierre la válvula reguladora. Para ello, posicione la palanca como se indica en la figura a continuación.



- Después del uso prolongado de la cocina, se pueden producir temperaturas altas en el piso. Muchos recubrimientos del suelo no resisten este tipo de uso.
- Nunca instale la cocina sobre baldosas de vinilo o linóleo porque no pueden resistir este uso. Nunca la instale directamente sobre alfombras de cocina.

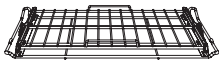
DESCRIPCIÓN GENERAL DEL PRODUCTO

Piezas

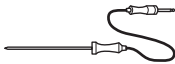


Accesorios

Accesorios incluidos



Estante deslizante
(3 c/u)



Sonda para carne
(1 c/u)



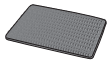
Parrilla
(1 c/u)



Relleno trasero (1 c/u)



Botella rociadora
(1 c/u)

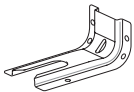


Esponja limpiadora que no raya (1 c/u)



Manual del propietario
(1 c/u)

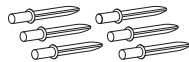
Kit antivuelco



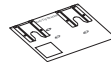
Antivuelco



Tornillos (6 c/u)

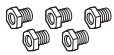


Anclajes (6 c/u)



Plantilla

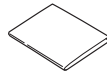
Kit de conversión para boquilla de LP



Boquilla de placa de cocción (5 c/u)

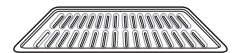


Boquillas de horno (2 c/u)

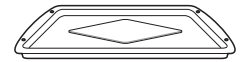


Guía de instalación (1 c/u)

Accesorios opcionales



Rejilla



Asadera

NOTA

- Comuníquese con el Servicio de atención al cliente de SIGNATURE KITCHEN SUITE al 1-855-790-6655 si faltara algún accesorio.
- Para su seguridad y para extender la vida útil del producto, solo debe utilizar componentes autorizados.
- El fabricante no es responsable del mal funcionamiento del producto ni de accidentes causados por el uso de componentes o piezas no autorizados y comprados por separado.
- Las imágenes de esta guía podrían ser diferentes a los componentes y accesorios reales, que están sujetos a cambios a discreción del fabricante, sin previo aviso, con fines de mejorar el producto.

INSTALACIÓN

Antes de instalar la cocina

Haga que un instalador calificado instale y conecte a tierra su cocina de acuerdo con las Instrucciones de instalación. Cualquier ajuste o servicio debe ser completado solo por instaladores de cocinas de gas calificados o técnicos de servicio.

En el Commonwealth de Massachusetts

- Un plomero certificado o un instalador de gas deben instalar este producto.
- Cuando utilice válvulas de bola para corte de gas, deben ser del tipo de manija en T.
- Cuando use un conector de gas flexible, no debe superar los 3 pies de longitud.

Preparación para instalación

Herramientas necesarias



Destornillador phillips



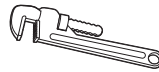
Destornillador plano



Lápiz y regla



Llave de boca o ajustable



Llave de tubos (2)
(uno para soporte)



Nivel

Materiales que podría necesitar

- Válvula de corte de línea de gas
- Sellador de juntas de tubería que resista la acción del gas natural y LP
- Conector de artefacto metálico flexible ($3/4"$ o $1/2"$ NPT x $1/2"$ D. I.)
Nunca use un conector viejo cuando instale una cocina nueva.
- Adaptador de unión abocardada para conexión a línea de suministro de gas ($3/4"$ o $1/2"$ NPT x $1/2"$ D. I.)
- Adaptador de unión abocardada para conexión al regulador de presión de la cocina ($1/2"$ NPT x $1/2"$ D. I.)
- Detector líquido de fugas o agua jabonosa
- Tirafondo o casquillo de anclaje de $1/2"$ D. E. (solo para pisos de concreto)

Instalación de la cocina

Desembalaje y traslado de la cocina

PRECAUCIÓN

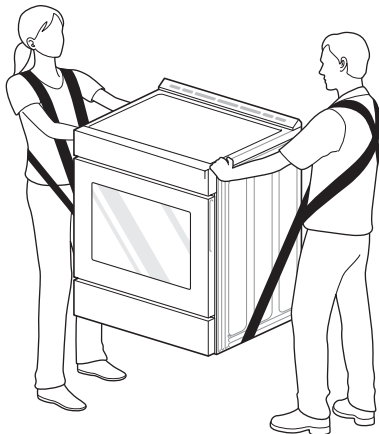
- **Se necesitan dos o más personas para mover e instalar la cocina. (Peligro de peso excesivo)** Si no se cumple con esto, se pueden producir lesiones en la espalda u otras lesiones.
- **No utilice las manijas de la puerta para empujar ni para tirar de la cocina durante la instalación o al mover la cocina para tareas de limpieza o reparaciones.** Hacerlo podría causar daños graves a la puerta de la cocina.

Retire el material de embalaje, la cinta y cualquier etiqueta temporaria de la cocina, antes de usarla. No retire las etiquetas de advertencia, la etiqueta de modelo y número de serie ni la hoja técnica ubicada en la parte posterior de la cocina.

Para quitar la cinta o el pegamento restantes, frote el área con fuerza utilizando el dedo pulgar. También es sencillo retirar el residuo de cinta o pegamento frotando una pequeña cantidad de detergente para vajilla sobre el adhesivo con los dedos. Enjuague con agua tibia y seque.

No utilice instrumentos filosos, alcohol para frotar, líquidos inflamables ni limpiadores abrasivos para quitar cinta o pegamento. Estos productos pueden dañar la superficie de la cocina.

La cocina es pesada y puede instalarse sobre revestimientos blandos para pisos como vinilo acolchado o piso alfombrado. Tenga cuidado al mover la cocina sobre este tipo de pisos. Utilice una correa al mover la cocina, para evitar dañar el piso. O deslice la cocina sobre un cartón o madera enchapada para evitar dañar el revestimiento del piso.



Elección de la ubicación adecuada

No instale la cocina donde podría estar sujeta a fuertes corrientes de aire. Debe sellar todas las aberturas del piso o la pared que están detrás de la cocina. Asegúrese de que las aberturas alrededor de la base de la cocina que brindan aire fresco para la combustión y la ventilación no estén obstruidas por alfombras o madera.

La cocina, como otras unidades del hogar, es pesada y puede instalarse sobre revestimientos blandos para pisos como vinilo acolchado o piso alfombrado. Tenga cuidado al mover la cocina sobre este tipo de pisos.

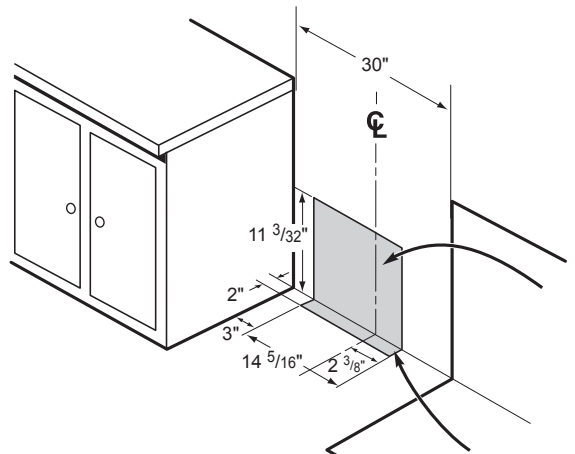
Este aparato no se debe instalar con un sistema de ventilación que envíe aire hacia abajo en dirección a la cocina. Este tipo de sistema de ventilación podría causar problemas de encendido y combustión en el aparato, que pueden generar lesiones personales y un funcionamiento incorrecto.

Cuando el revestimiento del piso termine frente a la cocina, el área donde se instalará la cocina se debe elevar con madera contrachapada al mismo nivel o más elevada que el revestimiento del piso. Esto permitirá mover la cocina para tareas de limpieza y mantenimiento, además de brindar un adecuado flujo de aire para la cocina.

Además, asegúrese de que el revestimiento del piso resista temperaturas mínimas de 167 °F (75 °C). Consulte las Instrucciones de seguridad de instalación incluidas en este manual.

Asegúrese de que los revestimientos de las paredes que rodeen su cocina puedan resistir el calor de hasta 194 °F (90 °C) generado por la cocina. Consulte las Instrucciones de seguridad de instalación incluidas en este manual.

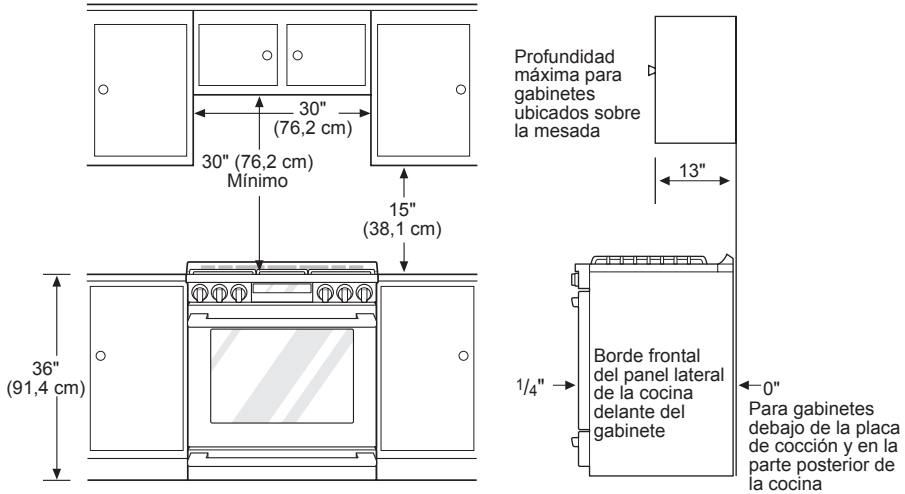
Ubicaciones de la tubería de gas y el tomacorriente eléctrico



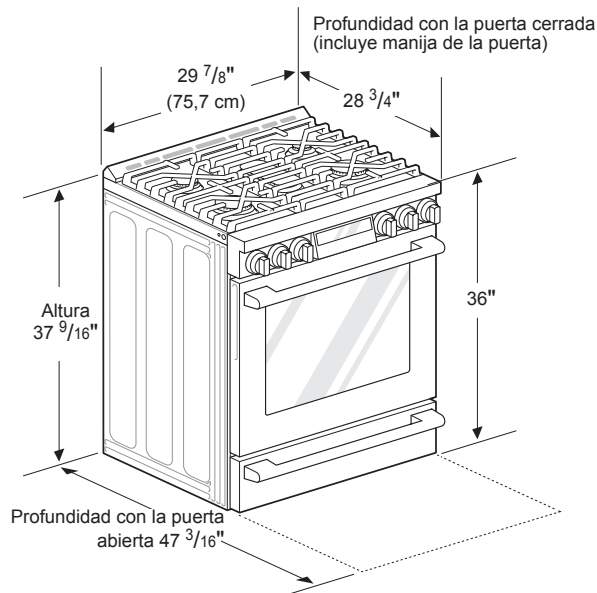
Dimensiones y espacios libres

Deje suficiente espacio entre la cocina y las superficies combustibles adyacentes. Se deben cumplir estas dimensiones para usar de manera segura su cocina. La ubicación del tomacorriente y la abertura de la tubería (consulte Ubicaciones de tubería de gas y tomacorriente eléctrico en la página 14) se deben ajustar para cumplir los requisitos específicos. Se debe instalar la cocina dejando un espacio de 0" (al ras) de la pared posterior.

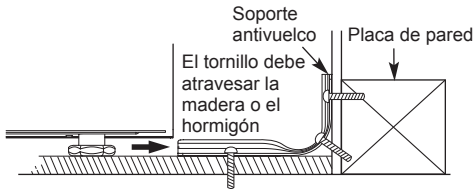
Espacios libres de instalación



Dimensiones



Instalación del dispositivo antivuelco



Se incluye un soporte antivuelco con una plantilla de instalación. Las instrucciones incluyen la información necesaria para completar la instalación. Lea y siga la hoja de instrucciones de instalación de la cocina.

ADVERTENCIA

- Se debe asegurar la cocina con un dispositivo antivuelco aprobado.
- La cocina puede inclinarse si una persona se para, se sienta o se apoya en la puerta abierta y el dispositivo antivuelco no está instalado de manera adecuada.
- Después de instalar el dispositivo antivuelco, intente inclinar la cocina hacia delante para verificar que el dispositivo esté bien instalado.
- Esta cocina está diseñada para cumplir todos los estándares de vuelco reconocidos por la industria para todas las condiciones normales.
- La instalación del dispositivo antivuelco debe cumplir con todos los códigos legales para asegurar el aparato.
- El uso de este dispositivo no impide que la cocina se caiga cuando no está bien instalado.

Relleno trasero opcional

Si el mostrador no se extiende hasta la abertura de la pared de atrás, necesitará utilizar el juego de relleno trasero, que se proporciona con la cocina empotrable.

NOTA

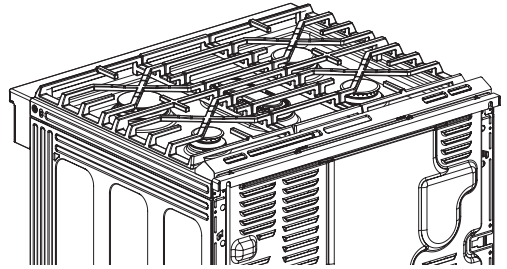
Si la profundidad del mostrador es mayor de 25", habrá un espacio libre entre el juego de relleno y la pared trasera.

Si la profundidad del mostrador es menor de 24", el panel de control no quedará al ras del mostrador.

Instalación del elemento de relleno trasero

- 1 Con un destornillador, extraiga los cuatro tornillos superiores que sujetan el soporte trasero y afloje los dos tornillos inferiores.

- 2 Coloque el elemento de relleno trasero en el soporte trasero.



- 3 Ajuste los dos tornillos inferiores en el soporte trasero. Coloque un tornillo extraído en el paso 1 en la ranura de cada extremo del elemento de relleno trasero.
- 4 Guarde los dos tornillos restantes junto con estas instrucciones para un uso futuro.

Cómo brindar el suministro adecuado de gas

Su cocina está diseñada para funcionar con una presión de 5" de columna de agua a gas natural o 10" de columna de agua a LP.

Asegúrese de suministrar a su cocina el tipo de gas para el cual está configurada.

Esta cocina es convertible para uso con gas natural o LP. Al usar la cocina con gas LP, un instalador de gas LP calificado debe realizar la conversión antes de intentar hacer funcionar la cocina.

Para un funcionamiento adecuado, la presión del gas natural suministrada al regulador debe estar entre 5" y 13" de columna de agua.

Para usar con gas LP, la presión suministrada al regulador debe estar entre 10" y 13" de columna de agua. Al verificar el funcionamiento correcto del regulador, la presión de entrada debe ser, como mínimo, 1" más que la presión operativa (del colector) según se indica anteriormente.

El regulador de presión ubicado en la entrada de la cocina debe permanecer en la línea de suministro, independientemente de qué tipo de gas se utilice.

Un conector metálico flexible utilizado para unir la cocina al suministro de gas debe tener un diámetro interior de $\frac{5}{8}$ " y una longitud máxima de 5 pies. En Canadá, los conectores flexibles deben ser conectores metálicos de pared simple de menos de 6 pies de longitud.

Conexión de la cocina al gas

Corte el suministro de gas a la cocina con la válvula antes de retirar la cocina antigua y déjela de ese modo hasta que se haya completado la instalación nueva.

Debido a que las tuberías rígidas restringen el movimiento de la cocina, se debe utilizar un conector metálico flexible con certificación internacional CSA, excepto en caso de que los códigos locales requieran una conexión de tubería rígida.

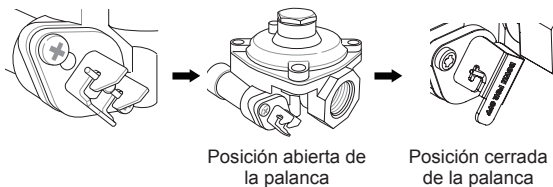
Se debe instalar una válvula manual en una ubicación accesible en la tubería de gas externa a la cocina con el fin de abrir o cerrar el suministro de gas a la cocina.

Nunca reutilice un conector viejo cuando instale una cocina nueva.

Para prevenir las fugas de gas, use un sellador de juntas de tuberías calificado en todas las roscas externas.

- 1 Instale un adaptador de unión abocardada macho de 1/2" o 3/4" a la rosca interna NPT de la válvula de corte manual con cuidado de sujetar la válvula de corte para que no gire.
- 2 Instale un adaptador de unión abocardada macho de 1/2" a la rosca interna de 1/2" NPT en la entrada del regulador de presión. Use una llave de sujeción en el accesorio del regulador de presión para evitar daños.

En una situación de emergencia o si desea cortar el suministro de gas, cierre la válvula reguladora. Para ello, posicione la palanca como se indica en la figura a continuación.



- 3 Coloque un conector metálico flexible al adaptador de la cocina. Posicione la cocina para permitir la conexión en la válvula de corte.
- 4 Cuando haya realizado todas las conexiones, asegúrese de que todos los controles de la cocina estén en la posición **Off** y gire la válvula de suministro principal de gas. Pueden producirse fugas de gas en el sistema y generar un riesgo. Las fugas de gas pueden no detectarse solo con el sentido del olfato.

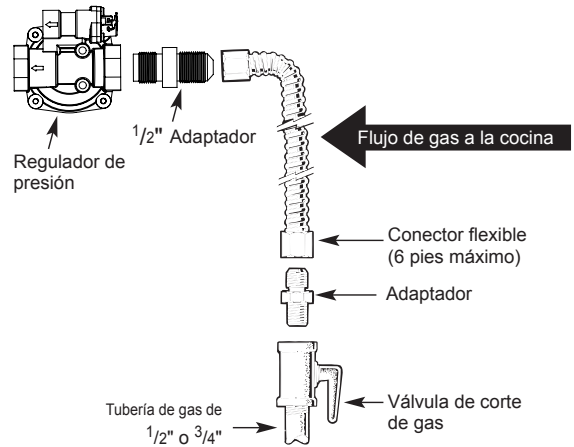
Verifique todas las juntas y los accesorios para detectar fugas con un fluido de detección de fugas no corrosivo y luego retírelo.

Los proveedores de gas recomiendan que compre e instale un detector de gas aprobado por UL. Instale el detector y úselo según las instrucciones de instalación.

⚠️ ADVERTENCIA

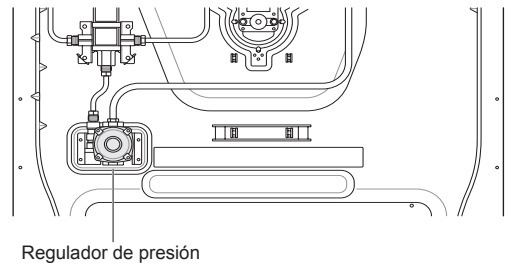
- No use una llama para detectar fugas de gas.
- Aísle la cocina del sistema de suministro de gas cerrando la válvula de corte individual durante cualquier prueba de presión del sistema de gas a presiones de prueba iguales o inferiores a 1/2" psig (3,5 kPa).

Montaje del conector flexible



Instalador: Informe al consumidor la ubicación de la válvula de corte del gas.

Presione regulador de presión



Conexiones eléctricas

Requisitos eléctricos

Circuito exclusivo conectado a tierra de forma adecuada de 120 V CA y 60 Hz protegido por interruptor de circuito de 15 o 20 A o fusibles de fusión lenta.

Si se utiliza una fuente eléctrica externa, cuando se instala el electrodoméstico se debe contar con una conexión a tierra que cumpla los códigos locales o, en ausencia de estos, según lo establecido en el Código Eléctrico Nacional, ANSI/NFPA 70.

Conexión a tierra

IMPORTANTE: POR RAZONES DE SEGURIDAD PERSONAL, ESTE APARATO DEBE CONTAR CON UNA CONEXIÓN A TIERRA ADECUADA.

El cable de alimentación de este aparato está equipado con un enchufe de 3 puntas redondas (de conexión a tierra) que coincide con un receptáculo de pared estándar para enchufes de 3 puntas, para minimizar la posibilidad de descarga eléctrica desde el aparato.

El cliente debe solicitar que un electricista calificado verifique el receptáculo y el circuito para asegurarse de que la conexión a tierra sea adecuada.

Si encuentra un receptáculo de pared estándar para dos puntas, es responsabilidad personal y obligación del cliente reemplazarlo por uno con tres puntas con conexión a tierra adecuada.

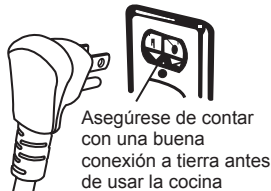
EN NINGUNA CIRCUNSTANCIA, CORTE NI RETIRE LA TERCERA PUNTA (DE CONEXIÓN A TIERRA) DEL CABLE DE ALIMENTACIÓN.

Nota acerca de GFCI: no se requieren ni se recomiendan GFCI para receptáculos de cocina de gas.

Los circuitos protegidos con interruptores de descarga a tierra (GFCI) son dispositivos que detectan la fuga de corriente en un circuito y cortan el suministro eléctrico automáticamente cuando se detecta un nivel de umbral de fuga. El cliente debe restablecer estos dispositivos manualmente. El Código Eléctrico Nacional requiere el uso de GFCI en receptáculos de cocina instalados para funcionar en las superficies de las mesadas.

El rendimiento de la cocina no se verá afectado si funciona en un circuito protegido con GFCI, pero la necesidad de restablecer el circuito puede resultar molesta.

Método preferido



No utilice un enchufe adaptador. Desconectar el cable de alimentación genera tensión indebida en el adaptador y genera una falla eventual en el terminal a tierra del adaptador.

La instalación debe cumplir los códigos locales o, en ausencia de estos, según lo establecido en el Código Nacional de Gas Combustible, ANSI Z223.1/NFPA 54.

La instalación de aparatos para casas móviles debe cumplir con el Estándar de construcción y seguridad de casas prefabricadas, título 24 CFR, parte 3280 (anteriormente el Estándar federal de construcción y seguridad de casas móviles, título 24, parte 280 del HUD), o cuando ese estándar no sea aplicable, debe ajustarse al Estándar de instalaciones para casas prefabricadas de edición más reciente (Manufactured Home Sites, Communities and Set-Ups), ANSI A225.1, o a los códigos locales. En Canadá, la instalación en casas móviles debe cumplir el Código de Instalación para Casas Móviles CAN/CSA Z240/MH.

Sellado de aberturas

Selle todas las aberturas en la pared y el piso después de completar los suministros eléctrico y de gas.



PRECAUCIÓN

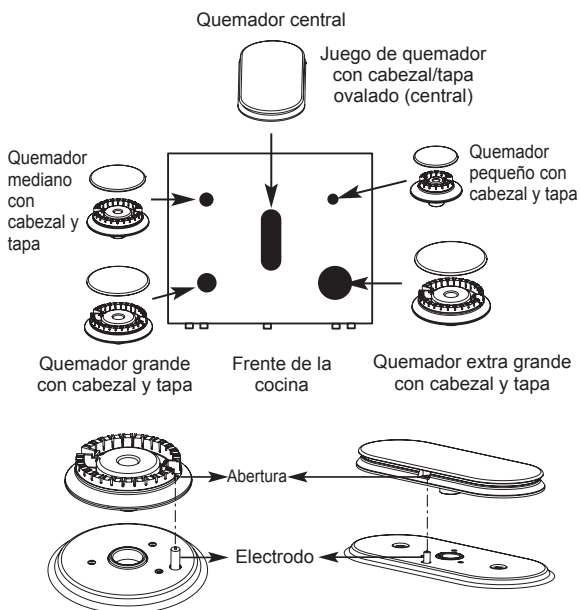
El cliente debe solicitar que un electricista calificado verifique el circuito para asegurarse de que el receptáculo tenga la conexión a tierra adecuada.

Ensamblaje de los quemadores de superficie

PRECAUCIÓN

No haga funcionar los quemadores sin todas las piezas colocadas.

Coloque las tapas de los quemadores y los cabezales sobre la placa de cocción. Asegúrese de que las tapas y los cabezales estén en las ubicaciones correctas. Hay un juego de tapa y cabezal de quemador de tamaño pequeño, uno mediano, uno grande, uno ovalado (en el centro) y uno extra grande.



Asegúrese de que el agujero del cabezal del quemador esté ubicado sobre el electrodo.

Verificación de encendido de los quemadores de superficie

Encendido eléctrico

Seleccione la perilla de un quemador de superficie y empuje mientras gira hasta la posición **Lite**. Oirá un clic que indica el funcionamiento correcto del módulo de chispa.

Cuando el aire de las líneas de suministro se haya purgado, el quemador debe encenderse en 4 segundos. Después de que se encienda el quemador, gire la perilla para retirarla de la posición **Lite**. Pruebe con cada quemador sucesivamente hasta verificarlos todos.

Calidad de las llamas

Debe confirmar visualmente la calidad de combustión de las llamas de los quemadores.



A Llamas amarillas- Solicite mantenimiento.



B Puntas amarillas en conos externos- Esto es normal para el gas LP.



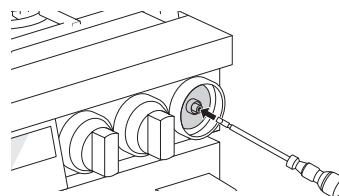
C Llamas azul claro- Esto es normal para gas natural.

NOTA

- Con gas LP, es normal detectar algunas puntas amarillentas en los conos externos.

Ajuste del quemador de superficie en la configuración Llama baja (Fuego lento)

- Encienda todos los quemadores de superficie.
- Gire la perilla del quemador que está ajustando hasta la posición **Lo**.
- Retire la perilla.
- Inserte un destornillador de punta plana pequeño en el eje de la válvula.



NOTA

Sostenga el eje de la válvula con una mano mientras gira el tornillo para ajustar con la otra.

- Vuelva a colocar la perilla.
- Pruebe la estabilidad de la llama.

Prueba 1: Gire la perilla de **Hi** a **Lo** con rapidez. Si la llama se apaga, aumente el tamaño de la llama y vuelva a probar.

Prueba 2: Con el quemador en la configuración **Lo**, abra y cierre la puerta del horno rápido. Si la llama se apaga por la corriente de aire creada por el movimiento de la puerta, aumente la altura de la llama y vuelva a probar.
- Repita los pasos del 1 al 6 para cada quemador de superficie.

Verificación de funcionamiento de los quemadores para hornear / asar

Para verificar el encendido del quemador para hornear, siga los pasos a continuación:

- 1 Retire todos los materiales de embalaje del interior de la cavidad del horno.
- 2 Gire la perilla de modo del horno hasta seleccionar el modo **Bake**. 350 °F aparece en la pantalla.
- 3 Presione **Start**.

El quemador podría tardar de 30 a 90 segundos para comenzar a calentar.

Para verificar el encendido del quemador para asar, siga los pasos a continuación:

- 1 Gire la perilla de modo del horno hasta seleccionar el modo **Broil High**. **Hi** aparece en pantalla.
- 2 Asegúrese de que la puerta esté cerrada.
- 3 Presione **Start**.

El quemador podría tardar de 30 a 90 segundos para comenzar a calentar.

NOTA

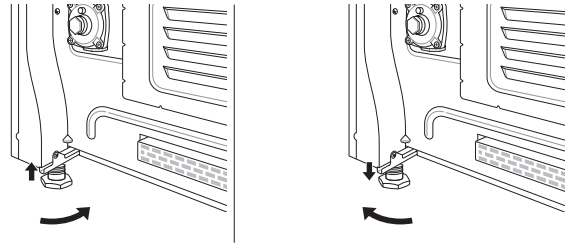
No intente encender los quemadores de Hornear o Asar durante un apagón. La cocina tiene un sistema de encendido eléctrico y no se puede utilizar sin energía eléctrica.

Ajuste de los obturadores de aire (para conversiones a gas propano)

La cocina viene de fábrica con los obturadores de aire ajustados para el flujo de aire adecuado para gas natural. Si la cocina se convierte a gas LP, siga las instrucciones del kit de conversión para ajustar los obturadores de aire adecuadamente. Un técnico calificado debe realizar la conversión a gas LP.

Nivelación de la cocina

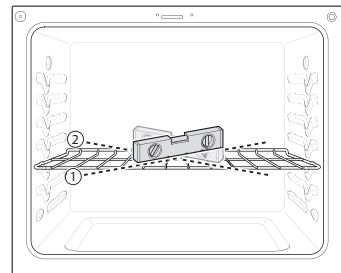
Nivele la cocina ajustando las patas de nivelación. Si extiende las patas ligeramente, podría ser más fácil insertar la pata trasera en el soporte antivuelco.



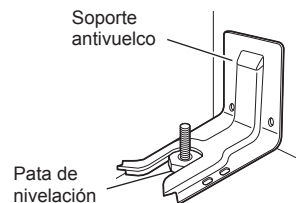
Utilice un nivelador para verificar sus ajustes. Ubique el nivelador en diagonal sobre el estante del horno y verifique en todas direcciones para nivelar.

Primero verifique la dirección ①.

Luego verifique la dirección ②. Si el nivelador no queda equilibrado sobre el estante, ajuste las patas de nivelación.



Colocación del dispositivo antivuelco



- 1 Deslice la cocina contra la pared y asegúrese de que la pata trasera se deslice y enganche en el soporte antivuelco.
- 2 Verifique la instalación adecuada al sujetar el borde frontal de la placa de cocción e intente inclinar la cocina hacia adelante.

