

CE304C/B

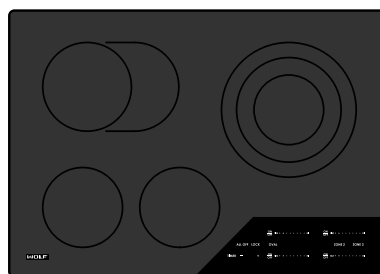


FEATURES

- Four elements, seven zones accommodate different pan sizes
- High-frequency pulsation technology for superior performance and control
- True simmer setting for soups, sauces and more
- Super-low Melt setting for fine chocolate and other delicate foods
- Rigorously tested in our U.S. manufacturing facilities for decades of use
- Exceptional 24/7 support from our Customer Care team in Madison
- Illuminated touch controls
- Hot surface indicator lights when temperature exceeds 150° F
- Temperature limiter ensures that safe operating temps are never exceeded
- Universal "off" turns all elements off
- Control panel lock for safety
- Automatic timer up to 99 minutes
- Ceran ceramic glass resists scratching, staining, impact and heat
- Can be mounted flush with countertop
- Trimless design matches Wolf contemporary products



TOP CONFIGURATION



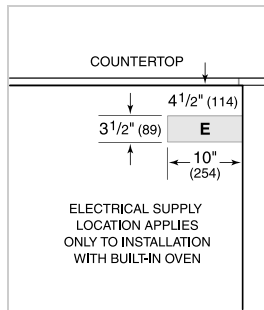
COOKTOP-SPECIFICATIONS

- 1 - 1050/1950/2700 W Element
- 2 - 1200 W Elements
- 1 - 2400 W Element With Oval

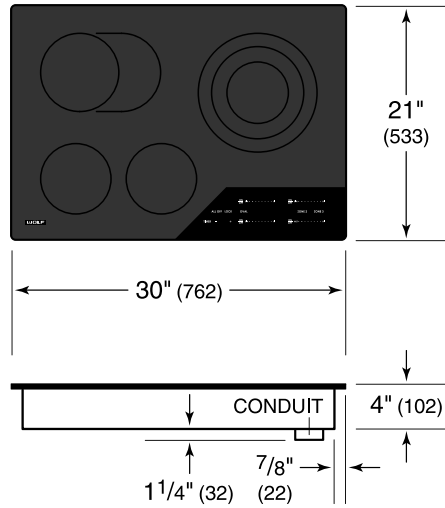
PRODUCT SPECIFICATIONS

Model	CE304C/B
Dimensions	30"W x 4"H x 21"D
Weight	45 lb
Electrical Supply	3-wire, 240 VAC, 60 Hz
Electrical Service	40 amp dedicated circuit
Conduit Length	4 feet

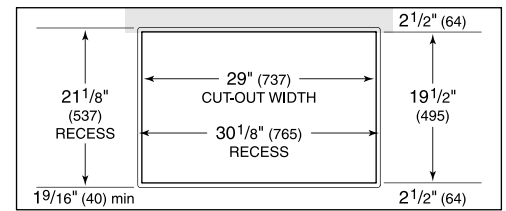
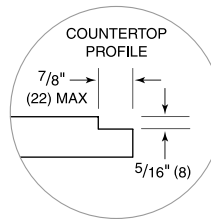
ELECTRICAL



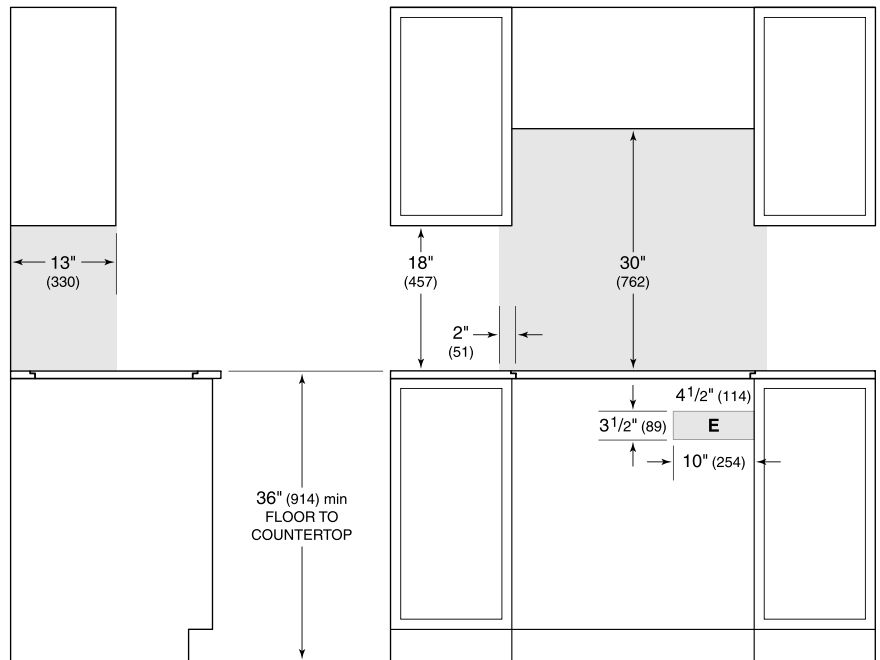
DIMENSIONS



INSTALLATION



COUNTERTOP CUT-OUT



SIDE VIEW

FRONT VIEW

NOTE: Shaded area above countertop indicates minimum clearance to combustible surfaces, combustible materials cannot be located within this area. Electrical supply location only applies to installations with built-in oven. Outside corner radius 7/16" (11).