

Installation MANUAL



Insulated Jacket For Outdoor Products

<i>VIJ5301</i>	<i>LIJ27</i>
<i>VIJ5361</i>	<i>LIJ30</i>
<i>VIJ5421</i>	<i>LIJ36</i>
<i>VIJ5541</i>	<i>LIJ42</i>
<i>VIJSB2</i>	<i>LIJ54</i>
<i>VIJPB</i>	<i>LIJSB2</i>
	<i>LIJPB</i>

IMPORTANT: Before you build the frame, you must take into consideration the total weight of the liner, grill and any finishing materials.

Refer to the cutout dimension table for the proper framing dimensions for the insulation jacket. Determine the entry point for both the gas inlet and electrical connections. Make the 4" square holes for gas and electrical connections (rear or bottom access) based on your requirements.

Note: that the electrical connections are located on the left side and the gas connections are located on the right side.

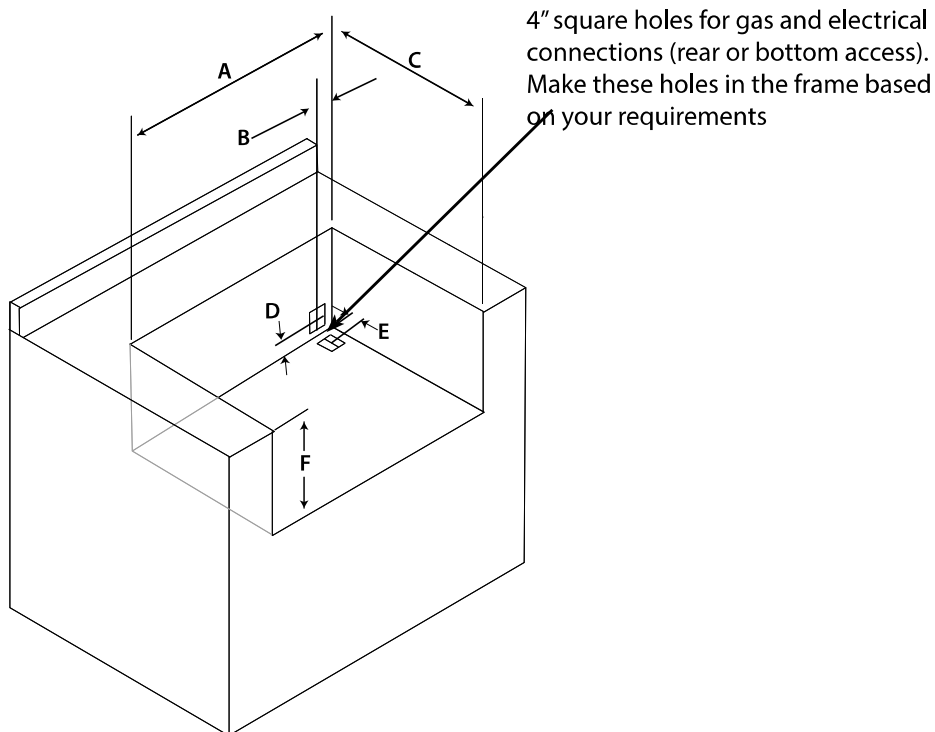
A Carpenter's "spirit level" should be used to assure that the framing is level, both front to back and side to side. **Note:** Never under any circumstance should you install the transformer or run a quick disconnect hose inbetween the grill and the inside of the insulating jacket.

Liner Installation

Position the liner into the frame. No part of the combustible enclosure can protrude above the top surface or in front of the face surface of the liner. Shim the liner if necessary.

Cutout Dimensions

Model	A	B	C	D	E	F
LIJ27	33" (83.8 cm)	5" (12.7 cm)	23 3/4" (60.3 cm)	4 1/2" (11.4 cm)	3" (7.6 cm)	11 5/8" (29.5 cm)
VIJ5301 / LIJ30	36" (91.4 cm)	5" (12.7 cm)	26 1/2" (67.3 cm)	4 1/2" (11.4 cm)	3" (7.6 cm)	11 5/8" (29.5 cm)
VIJ5361 / LIJ36	42" (106.7 cm)	5" (12.7 cm)	23 3/4" (60.3 cm)	4 1/2" (11.4 cm)	3" (7.6 cm)	11 5/8" (29.5 cm)
VIJ5421 / LIJ42	48" (121.9 cm)	5" (12.7 cm)	26 1/2" (67.3 cm)	4 1/2" (11.4 cm)	3" (7.6 cm)	11 5/8" (29.5 cm)
VIJ5541 / LIJ54	60" (152.4 cm)	5" (12.7 cm)	26 1/2" (67.3 cm)	4 1/2" (11.4 cm)	3" (7.6 cm)	11 5/8" (29.5 cm)
VIJSB2 / LIJSB2	15 1/2" (39.4 cm)	3 1/2" (8.9 cm)	26 1/2" (67.3 cm)	4 3/4" (12.1 cm)	3 1/8" (8.0 cm)	11 5/8" (29.5 cm)
VIJPB / LIJPB	26 1/4" (68.0 cm)	5 3/8" (13.7 cm)	23 7/8" (62.7 cm)	4 3/4" (12.1 cm)	3 1/8" (8.0 cm)	11 5/8" (29.5 cm)



Grill Installation

Use the proper equipment to support the grill. Place the grill into the liner and engage it over the liner lip across the back and sides. The liner is designed to support the grill without additional fasteners.

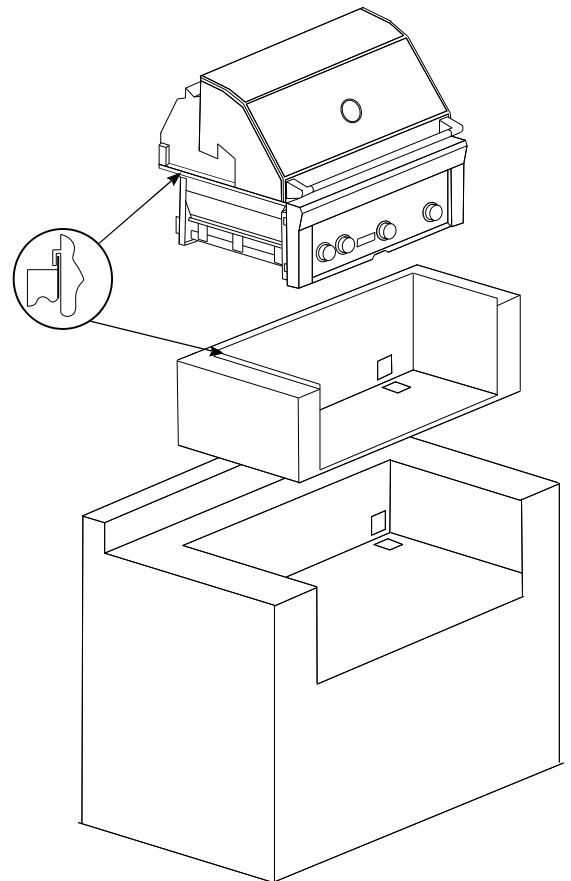
If desired any gap remaining between the liner and the combustible enclosure may be filled with a non-combustible sealant or caulk.



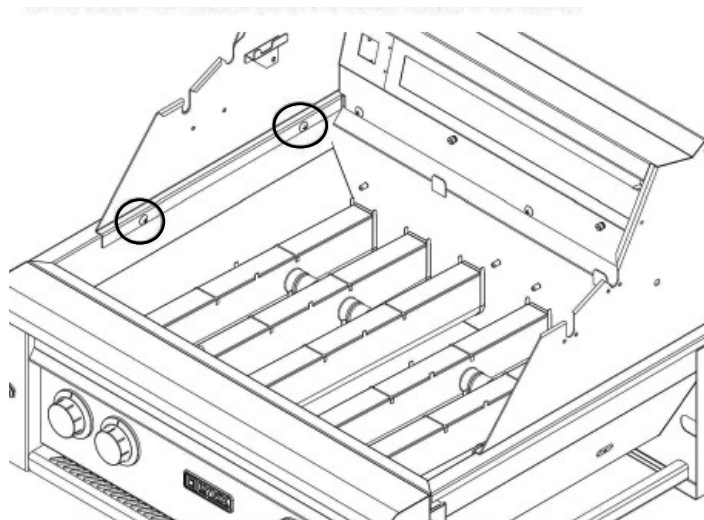
WARNING

The regulator to be installed outside the insulating jacket. It can be positioned anywhere in the gas supply line between the grill and the shutoff valve.

Gas tubing should never be installed within the insulated jacket.

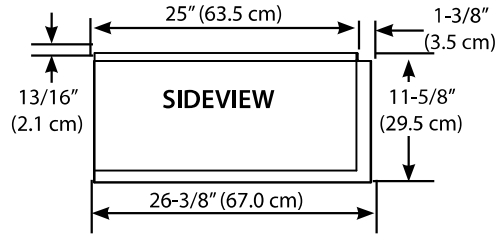
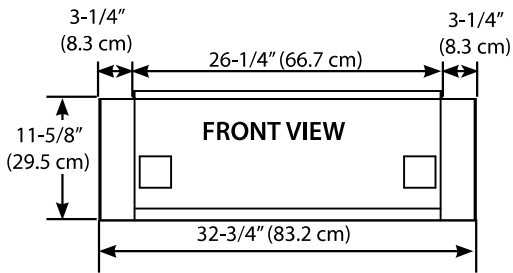
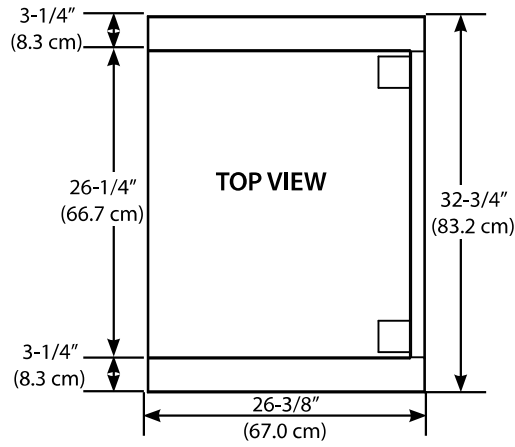


After installing grill to the insulated jacket, replace the 2 screws on both side of the grill with the included 1" screws, one screw at a time. This is to straighten out the sides of the insulated jacket and reduce the gap to the cabinet.

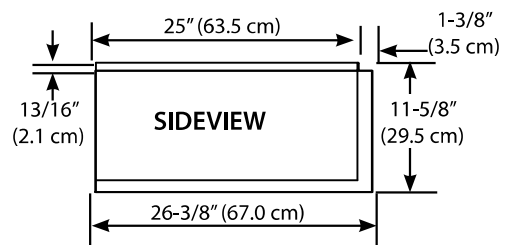
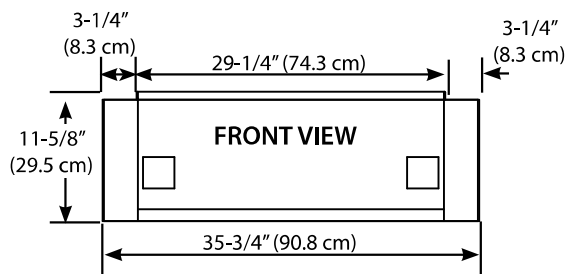
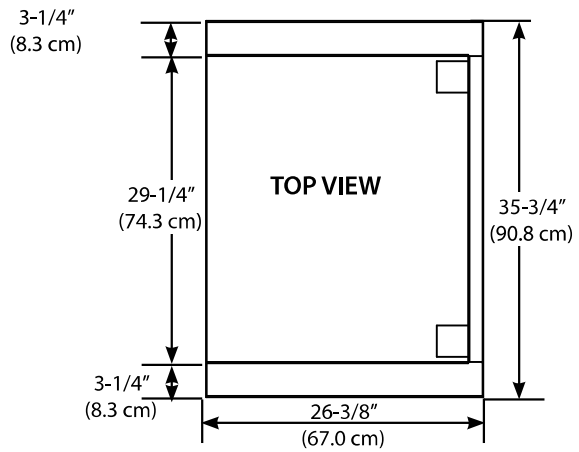


Insulated Jacket Dimensions

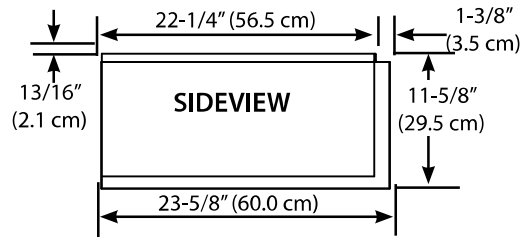
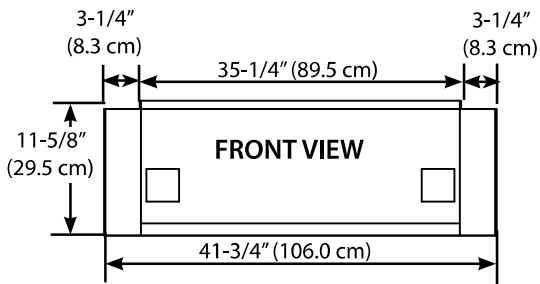
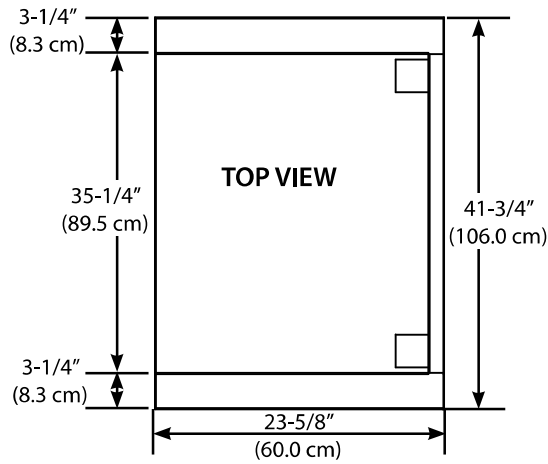
LIJ27



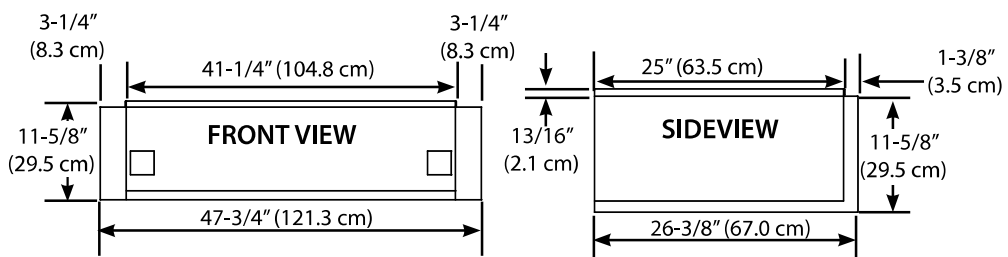
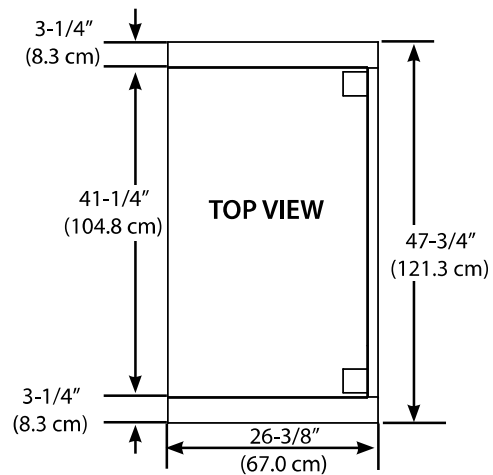
VIJ5301 / LIJ30

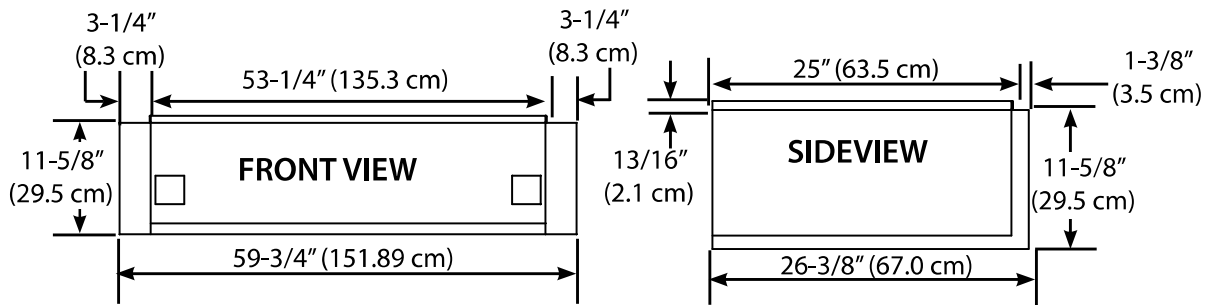
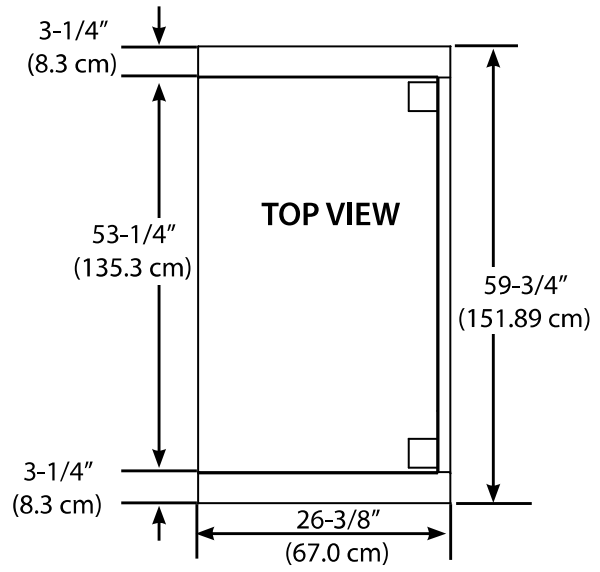


VIJ5361 / LIJ36

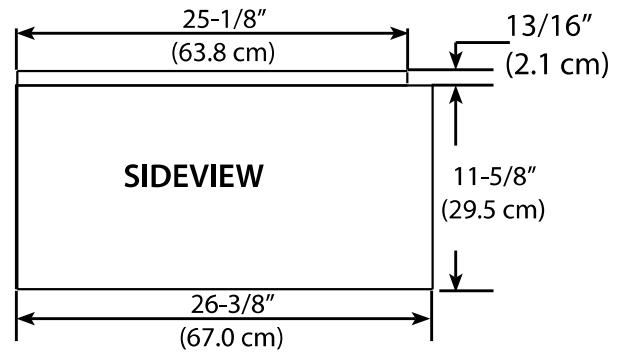
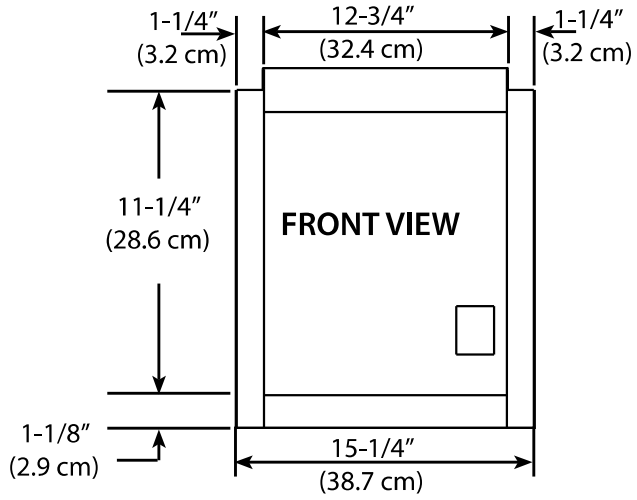
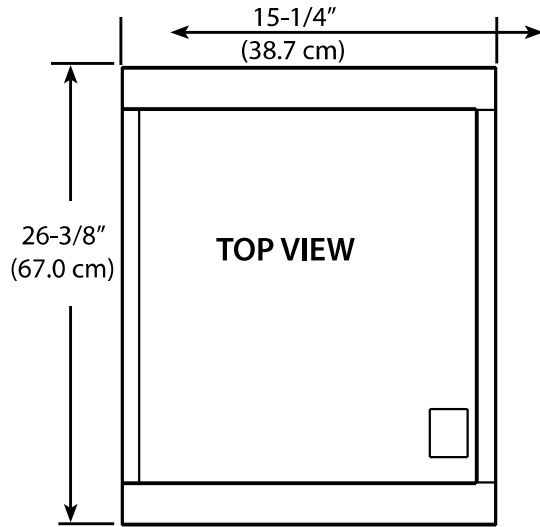


VIJ5421 / LIJ42

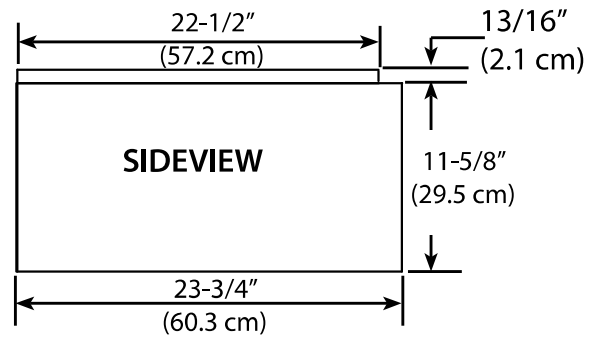
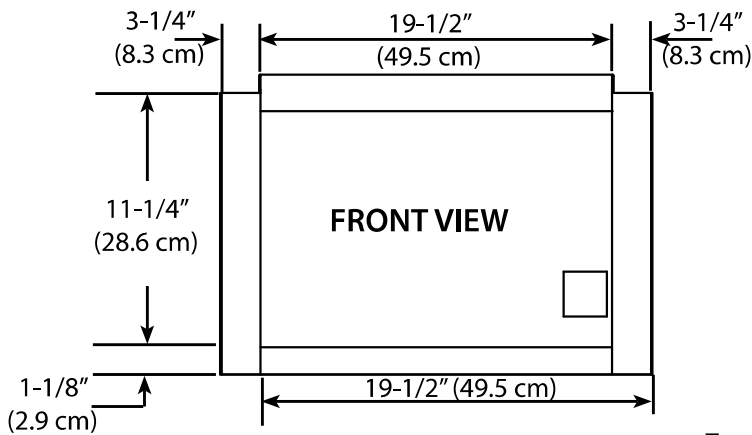
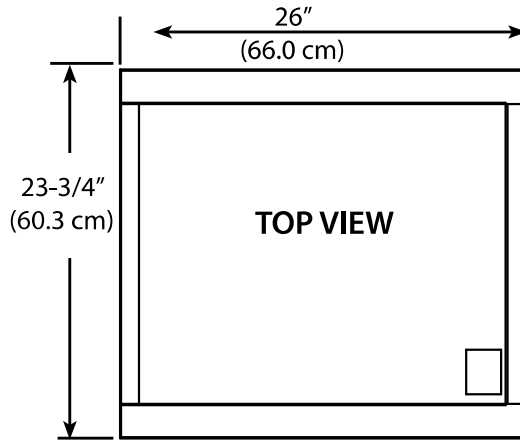




VIJSB2 / LIJSB2



VIJPB / LIJPB



Viking Range, LLC
111 Front Street
Greenwood, Mississippi 38930 USA
(662) 455-1200

For product information, call 1-888-(845-4641) or visit our web site at vikingrange.com