



Laundry Tower™ Single Unit Front Load 4.5 Cu. Ft. Washer & 8 Cu. Ft. Electric Dryer

Laundry Tower

Available Products: ELTE7600AT, ELTE7600AW

Available Colors: Titanium, White

Version: 08/23

Product Specifications

Washer		Washer Cycles	
Drum Light	Yes	Cycle Count	8
Drum Material	Stainless Steel	Activewear	Yes
Maximum Spin Speed	1300 RPM	Clean Washer	Yes
Water Heater	Yes	Delicates	Yes
Washer Options		Fast Wash	Yes
Allergen	Yes	Heavy Duty	Yes
Delay Start Time	1-12 Hours	Normal	Yes
Perfect Steam	Yes	Optic Whites	Yes
Pure Rinse	Yes	Rinse and Spin	Yes
Stain Soak	Yes	Soil Levels	
Washer Spin Speeds		Light	Yes
Spin Speed Selections	4	Normal	Yes
Max	Yes	Heavy	Yes
Medium	Yes	Solid Soil	Yes
Low	Yes	Dryer	
No Spin	Yes	Balanced Dry	Yes
Temperature Settings		Drum Back Type	Painted Steel
Eco Cold	Yes	Drum Material	Stainless Steel
Warm	Yes	Dryness Level Selections	Yes
Hot	Yes	Lint Filter	Yes
Sanitize	Yes	Moisture Sensor	Yes
Dispenser		Dryer Options	
Bleach Dispenser	Yes	Delay Start Time	1-12 Hours
Detergent Dispenser	Yes	Drum Light	Yes
Fabric Softener Dispenser	Yes	Dry Boost	Yes
Prewash Detergent Dispenser	Yes	Extended Tumble	Yes
PODs Dispenser	Yes	Perfect Steam	Yes
Dryer Cycles		Wrinkle Release	Yes
Cycle Count	8	Dryness Level	
Activewear	Yes	High	Yes
Allergen	Yes	Normal	Yes
Delicates	Yes	Low	Yes
Fast Dry	Yes	Damp	Yes
Heavy Duty	Yes	Exterior	
Instant Refresh	Yes	Door Latch	Yes
Normal	Yes	Reversible Door	Yes
Timed Dry Time	Yes		

Laundry Tower™ Single Unit Front Load 4.5 Cu. Ft. Washer

Laundry Tower

& 8 Cu. Ft. Electric Dryer

Available Products: ELTE7600AT, ELTE7600AW

Available Colors: Titanium, White

Version: 08/23

Drying Temperatures

Normal	Yes
High	Yes
Sanitize	Yes
Eco Dry	Yes

Controls

Cancel	Yes
Child Lock	Yes
Cycle Status Lights	Yes
Delay Start	Yes
Estimated Time Remaining	Yes
Control Lock	Yes
How to Cancel	Key Combination
Pause Function	Yes
Power On/Off	Yes
Start	Yes

Dimensions and Volume

Height	76 1/4"
Width	27"
Depth	32"
Washer Drum Capacity	4.5 Cu. Ft.
Dryer Drum Capacity	8 Cu. Ft.

General Specifications

Chime On / Chime Off	Yes
Leveling Legs	Yes
Prop 65 Label	Yes
Warranty - Labor	1 Year
Warranty - Parts	1 Year

Performance Certifications and Approvals

CEE Tier	Tier 2
ENERGY STAR Certified	Yes

Energy Data

Energy Efficiency	Tier 2
kWh/year	85 kWh
Water Usage/Year	4248 Gallons

Certifications and Approvals

ADA Compliant	No
---------------	----

Safety Certifications and Approvals

UL Listed	Yes
-----------	-----

We reserve the right to change specifications or discontinue models without notice.

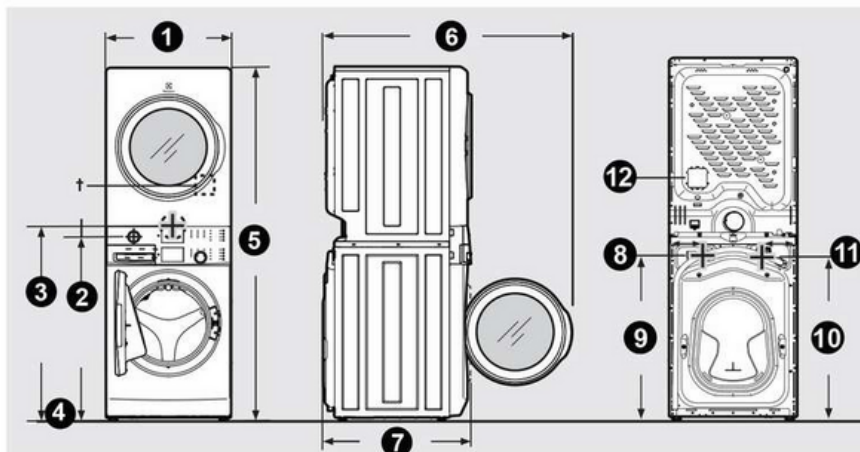
Electrolux Major Appliances, N.A.

USA • 10200 David Taylor Drive • Charlotte, NC 28262 • Charlotte, NC 28262 • 1-877-4electrolux (1-877-435-3287) • electrolux.com/en

CANADA • 5855 Terry Fox Way • Mississauga, ON L5V 3E4 • 1-800-265-8352 • electrolux.ca

Installation Diagram

Laundry Center Dimensions



¹ Dryer electrical supply on rear of unit.

NOTE

- Allow minimum 36" of depth space for proper installation with 90° quick turn elbow for venting.
- Connection of water inlet hose on steam laundry center adds 3/4 in. (2 cm) to installation depth.
- Power supply cord length on washer approximately 60 inches (152.5 cm).
- Drain hose length on washer approximately 59 inches (150 cm).
- Power supply cord length on gas laundry center or electric Canadian laundry center approximately 60 inches (152.5 cm).

Laundry Center Dimensions	
1. Unit width	27" (69 cm)
2. Height to gas supply pipe on rear of gas unit	39.7" (101 cm)
3. Centerline height for rear vent	41.8" (106 cm)
4. Floor line	--
5. Unit height	76.3" (194 cm)
6. Door clearance	53.9" (137 cm)
7. Unit depth	31.9" (81 cm)
8. Width distance to water connections	7.8" (20 cm)
9. Height to water connections	35.7" (91 cm)
10. Height to washer power connections	35.5" (91 cm)
11. Width distance to washer power connections	7.1" (18 cm)
12. Height to dryer electrical supply	48" (122 cm)