

UC-15IP**FEATURES**

Produces up to 50 lbs. of ice per day

Water-filtration system reduces contaminants, chlorine taste and odor

Produces ice in temperatures up to 100° F

Clean and change filter indicator light

Easy-access control panel

Two, four and eight-hour delay feature

Built-in ice scoop

Rigorously tested in our U.S. manufacturing facilities to ensure decades of use

Exceptional 24/7 support from Madison, WI-based Customer Care team

ACCESSORIES

Stainless steel pro handles

Stainless steel tubular handles

Replacement water filter

Cleaner and sanitizing solution

Stainless steel front panels with pro or tubular Handles

Stainless steel kickplate

Accessories are available through an authorized Sub-Zero dealer.
For local dealer information, visit subzero-wolf.com/locator.

**HANDLE ACCESSORIES**

PRO



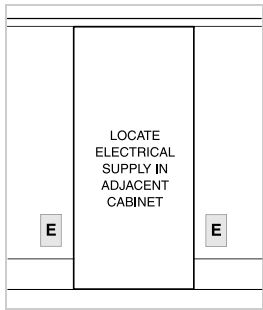
TUBULAR



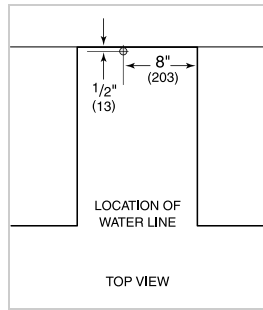
PRODUCT SPECIFICATIONS

Model	UC-15IP
Dimensions	14 3/4"W x 33 5/8"H x 23"D
Door Clearance	18"
Weight	117 lb
Electrical Supply	115 VAC, 60 Hz
Electrical Service	15 amp dedicated circuit
Plumbing Supply	1/4" OD copper, braided stainless steel or PEX tubing
Plumbing Pressure	20–80 psi
Receptacle	3-prong grounding-type

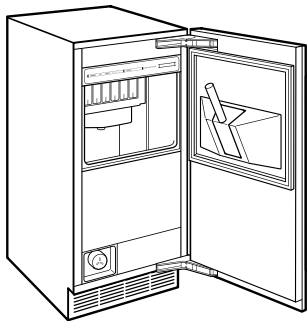
ELECTRICAL



PLUMBING

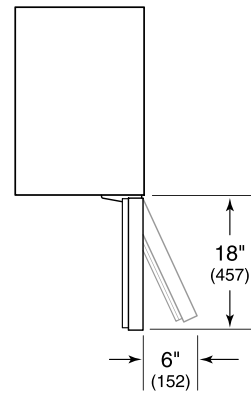
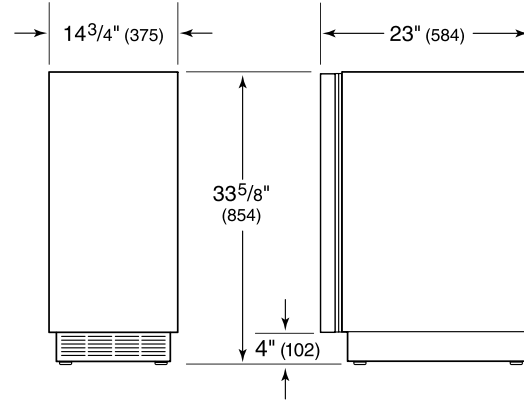


INTERIOR VIEW



This illustration is intended for interior reference only and may not represent the exterior of the model being specified.

DIMENSIONS



STANDARD INSTALLATION

