



4.8 cu. ft. Electric Range

ACR4503SF



White
ACR4503SFW

Also available in:



ACR4503SFB

Capacity	
Oven	4.8 cu. ft.
General Features & Properties	
Easy Touch Electronic Controls Plus	
Temp Assure™ Cooking System	
Extra-Large Oven Window	
Self-Clean Option	
Storage Drawer	
Warm Hold	
Oven Lockout	
Indicator Lights	
Sabbath Mode	
Electrical Details	
Amps	40
Volts	120/240

Technical Details	
Fuel Type	Electric
Range Type	Freestanding Single Oven
Oven Cooking System	Thermal
Number of Oven Racks	2
Cleaning Type	Self-Cleaning
Number of Elements	4
Element Type	Coil
Element Size/Power	(2) 8" 2100W (2) 6" 1250W

Dimensions	
Product Dimensions (H x W x D)	46-7/8" x 29-7/8" x 27-3/4"
Depth with Door Open 90°	46-11/16"

Reference Material

[Dimension Guide](#)

[Install Guide](#)

[Use & Care Guide](#)

[Warranty](#)

Key Features & Benefits

Large Oven Capacity

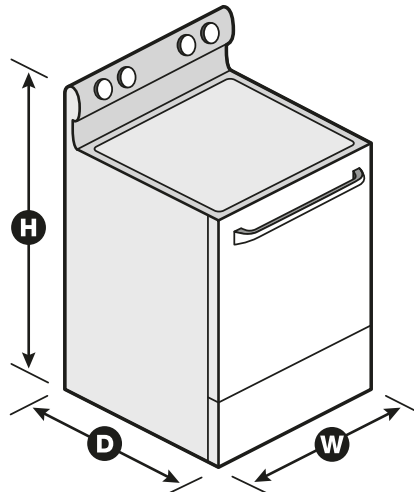
4.8 cu. ft. provides enough space to make dinner and dessert at the same time.

Versatile Cooktop

Multiple element options provide up to 2,100 watts to help cook more favorites at the same time.

Bake Assist Temps

Preset temperature settings make cooking even more convenient.



NOTE: Dimensions are for planning purposes only. For complete details, see Installation Instructions packed with product. Specifications subject to change without notice.

®/™ © 2020. All rights reserved. Printed in the U.S.A. D200052XXB. ACR4503SFSPECSHEETV01.