



FRIGIDAIRE

Factory Parts Catalog

Product No.	FGMO226NUDA	FGMO226NUFA	FPMO227NUFA
Series	Built In/CMO	Built In/CMO	Built In/CMO
Market	North America	North America	North America
Color	black stainless	stainless	stainless
Volts	120	120	120
Watts	1200	1200	1200
Wiring Diagram	A06823513	A06823513	A06823509
Owner's Guide	A06823512	A06823512	A06823508

Frigidaire

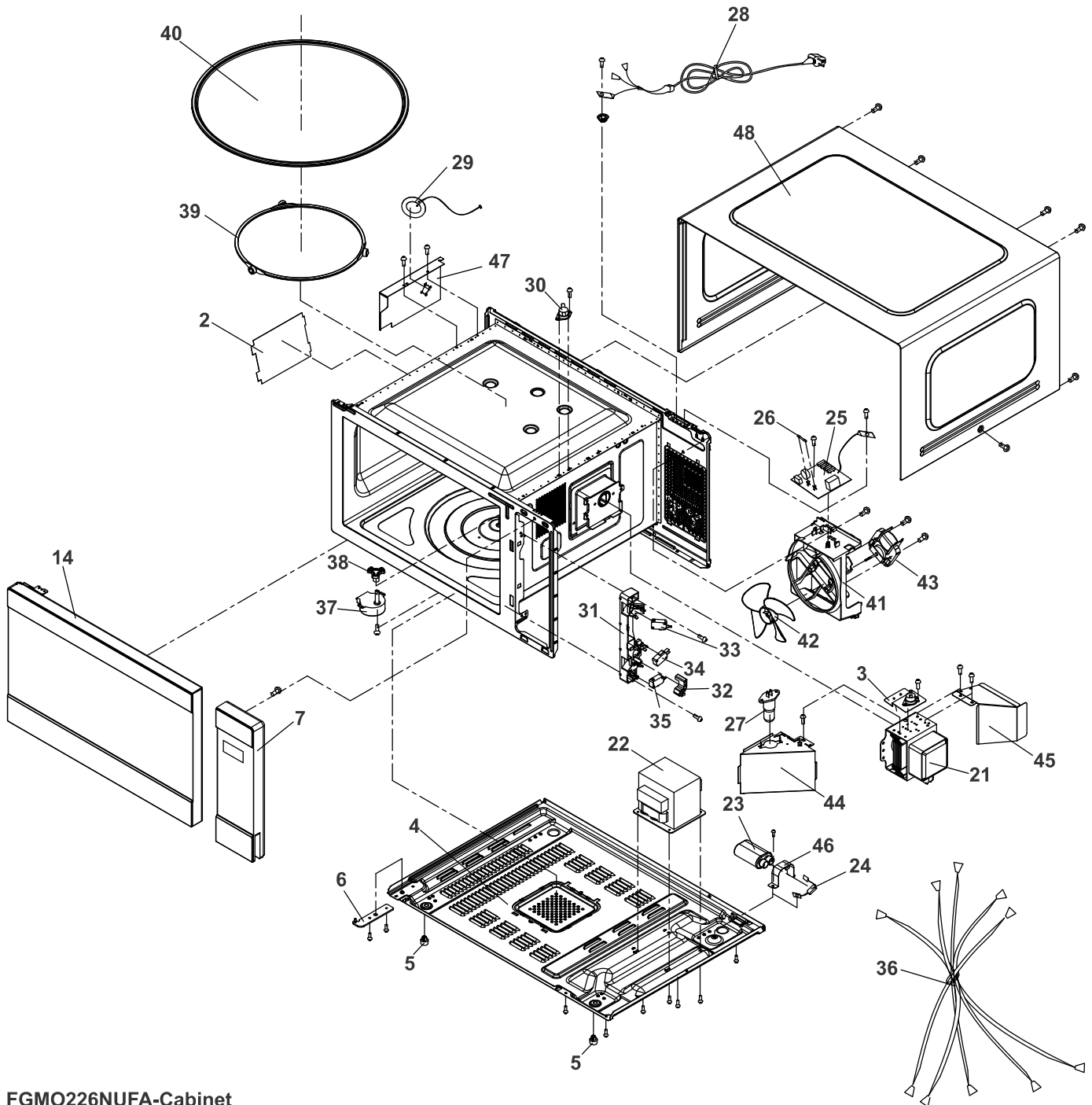
P.O. BOX 8020
CHARLOTTE, NC 28262

Publication No.
5995707493
18/09/17
(EN/SERVICE/ECL)
099

BUILT-IN MICROWAVE

Model No.
FGMO226NU /
FPMO227NU

OVEN, CABINET



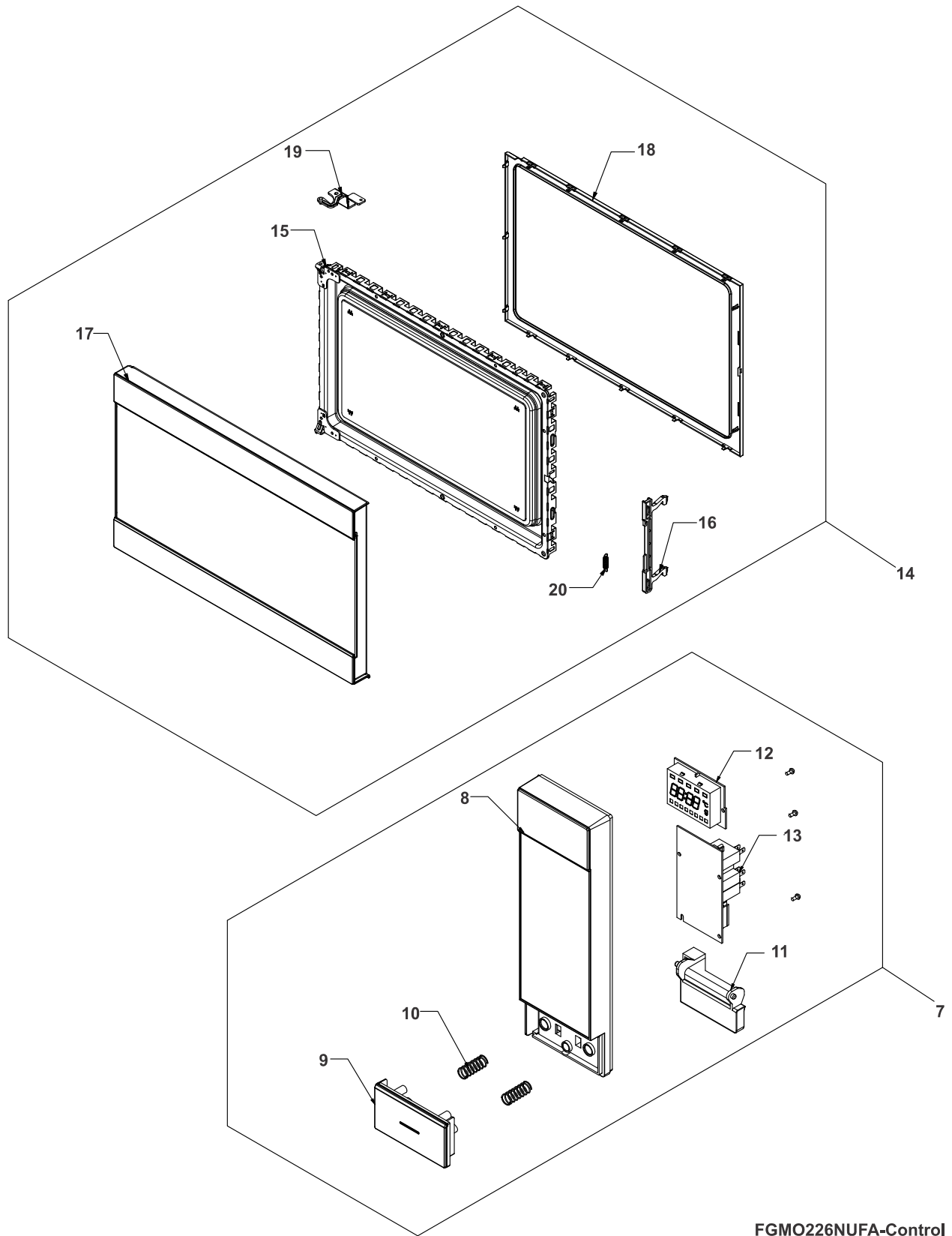
FGMO226NUFA-Cabinet

OVEN,CABINET

Model Index: A FGMO226NU (FGMO226NUDA)
 B FGMO226NU (FGMO226NUFA)
 C FPMO227NU (FPMO227NUFA)

POS. NO	PART NO.		DESCRIPTION
2	5304505675	A B C	Cover, waveguide
3 #	5304519318	A B C	Thermostat, assembly
4	5304519319	A B C	Base, plate
5	5304505674	A B C	Foot, cabinet support, rubber
6	5304519320	A B C	Hinge, door, lower
7 #	5304519355	A - -	Control Panel, assembly, black stainless
7 #	5304519321	- B -	Control Panel, assembly, stainless, complete, w/button-boards
7 #	5304519360	- - C	Control Panel, assembly, stainless, complete, w/button-boards
14	5304519358	A - -	Door Assembly, complete, black stainless
14	5304519328	- B -	Door Assembly, complete, stainless
14	5304519363	- - C	Door Assembly, complete, stainless
21 #	5304519335	A B C	Magnetron
22 #	5304519336	A B C	Transformer, high voltage
23 #	5304519337	A B C	Capacitor, high voltage
24 #	5304513459	A B C	Diode, high voltage
25 #	5304512523	A B C	Filter, noise, electronic
26 #	5304509451	A B C	Fuse
27 #	5304519338	A B C	Lamp Assembly, incandescent
28 #	5304519339	A B C	Power Cord, electric servic
29 #	5304509652	A B C	Sensor, humidity
30 #	5304519340	A B C	Thermostat, 120/80 °H
31	5304519341	A B C	Bracket, latch
32	5304519342	A B C	Lever, latch
33 #	5304519343	A B C	Switch, micro, upper
34 #	5304512529	A B C	Switch, monitor
35 #	5304515182	A B C	Switch, interlock
36 #	5304519344	A B C	Harness, wiring, main
37 #	5304519345	A B C	Motor, turntable
38	5304519346	A B C	Coupler, turntable
39	5304519347	A B C	Ring Assembly, rotating
40	5304519348	A B C	Tray, glass
41	5304519349	A B C	Guide, fan
42	5304519350	A B C	Blade, fan
43 #	5304519351	A B C	Motor, fan
44	5304519352	A B C	Guide, wind
45	5304513477	A B C	Guide, air, magnetron
46	5304509477	A B C	Retainer, capacitor strap
47	5304519353	A B C	Insulator, heat
48	5304519354	A B C	Wrapper, outer case

CONTROL PANEL,DOOR



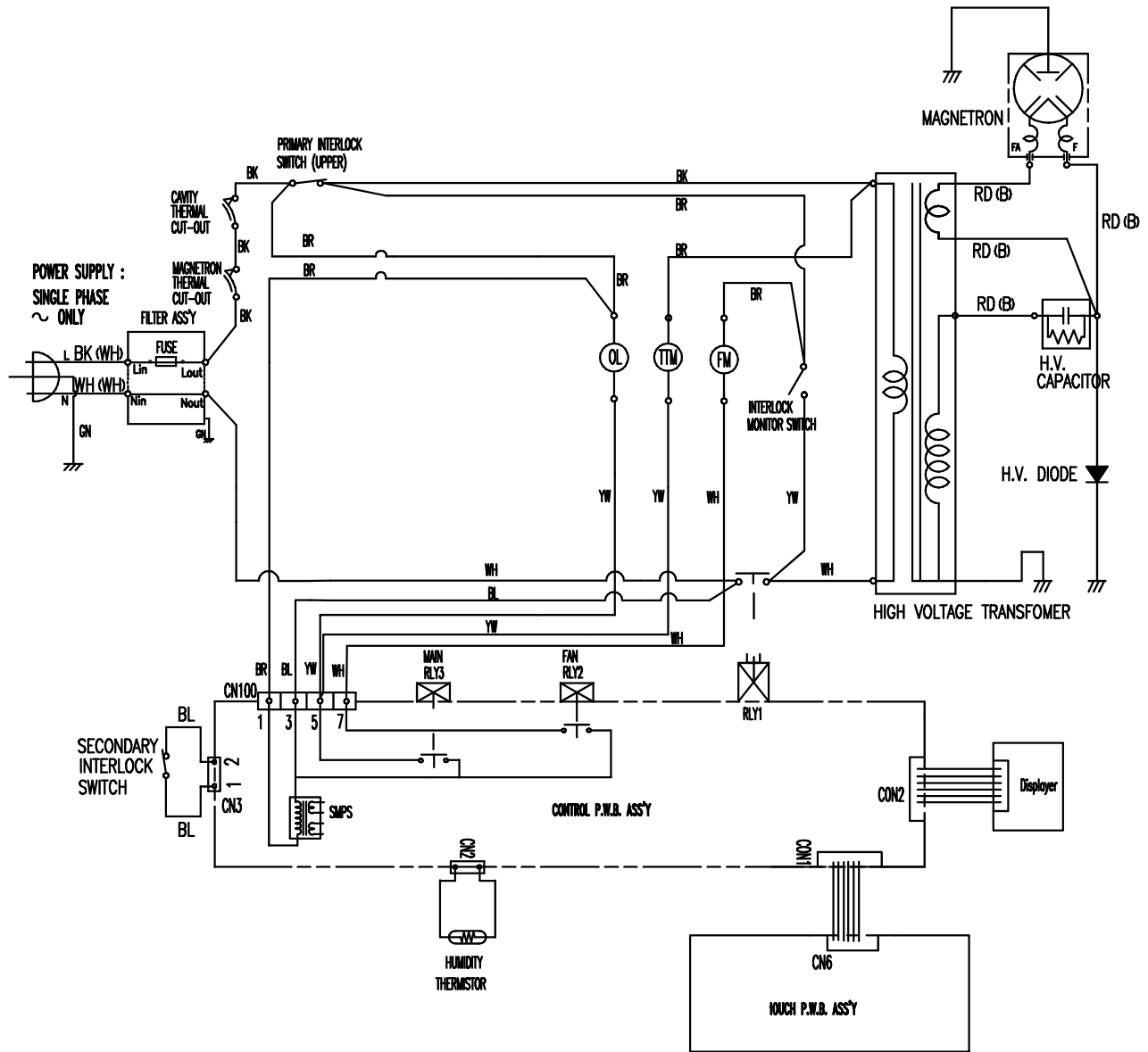
FGMO226NUFA-Control

CONTROL PANEL,DOOR

Model Index: A FGMO226NU (FGMO226NUDA)
 B FGMO226NU (FGMO226NUFA)
 C FPMO227NU (FPMO227NUFA)

POS. NO	PART NO.		DESCRIPTION
7 #	5304519355	A - -	Control Panel, assembly, black stainless
7 #	5304519321	- B -	Control Panel, assembly, stainless, complete, w/button-boards
7 #	5304519360	- - C	Control Panel, assembly, stainless, complete, w/button-boards
8	5304519356	A - -	Control Panel, assembly, black stainless
8	5304519322	- B -	Control Panel, assembly, stainless, outer
8	5304519361	- - C	Control Panel, assembly, stainless, outer
9	5304519357	A - -	Button, door opening, black stainless
9	5304519323	- B C	Button, door opening, stainless
10	5304519324	A B C	Spring, door button
11	5304519325	A B C	Lever, door opening
12 #	5304519326	A B -	PC Board, display
12 #	5304519362	- - C	PC Board, display
13 #	5304519327	A B C	PC Board, power/control
14	5304519358	A - -	Door Assembly, complete, black stainless
14	5304519328	- B -	Door Assembly, complete, stainless
14	5304519363	- - C	Door Assembly, complete, stainless
15	5304519329	A B C	Frame, assembly, door
16	5304519330	A B C	Latch Assembly, door
17	5304519359	A - -	Door Assembly, outer, black stainless
17	5304519331	- B -	Door Assembly, outer, stainless
17	5304519364	- - C	Door Assembly, outer, stainless
18	5304519332	A B C	Gasket, door
19	5304519333	A B C	Hinge, door, upper
20	5304519334	A B C	Spring, door latch

WIRING DIAGRAM – FGMO226NUDA FGMO226NUFA



[CONDITION]

DOOR : CLOSED
 COOK : OFF

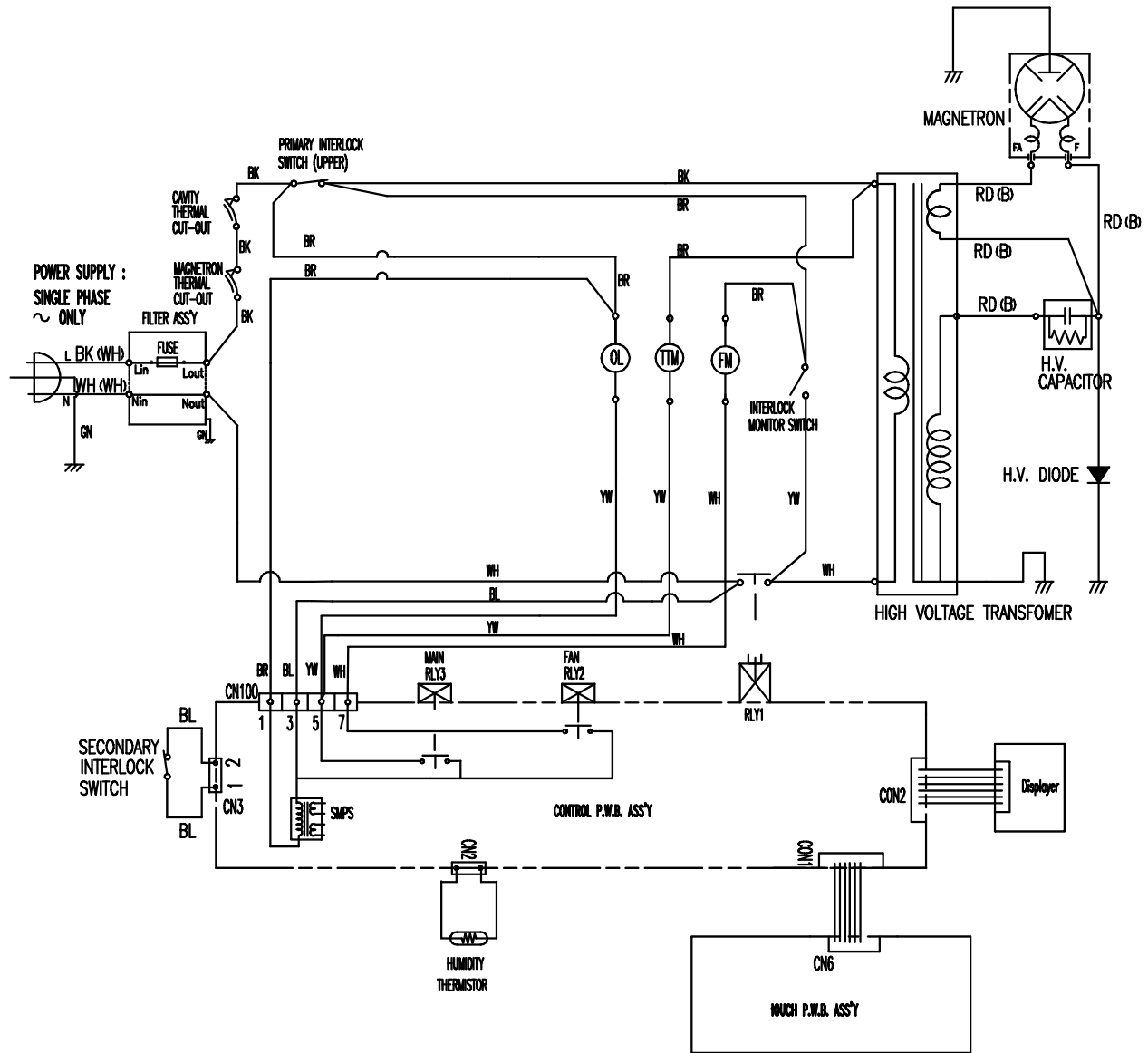
NOTE :

- ⊙ : OVEN LAMP
- ⊙ : FAN MOTOR
- ⊙ : TURNTABLE MOTOR

- BK : BLACK
- RD : RED
- WH : WHITE
- YW : YELLOW
- BL : BLUE
- BR : BROWN
- GN : GREEN

PN:A06823513

WIRING DIAGRAM – FPMO227NUFA



[CONDITION]
 DOOR : CLOSED
 COOK : OFF

NOTE :
 (OL) : OVEN LAMP
 (FM) : FAN MOTOR
 (TTM) : TURNTABLE MOTOR

BK : BLACK BL : BLUE
 RD : RED BR : BROWN
 WH : WHITE GN : GREEN
 YW : YELLOW

PN:A06823509