

# CASCADE Canopy Bed

## Assembly Instruction

### Important Safety Instruction:

Recommended assembly with 4 people minimum due to heavy product. Please read instructions carefully before assembling bed. Keep all packing materials until assembly is complete to avoid loss of smaller parts.

### Tools required but not included:

Do not throw away packing materials and carton until after assembly.  
Ensure all components are present prior to assembly. Assemble all parts on a clean smooth surface.

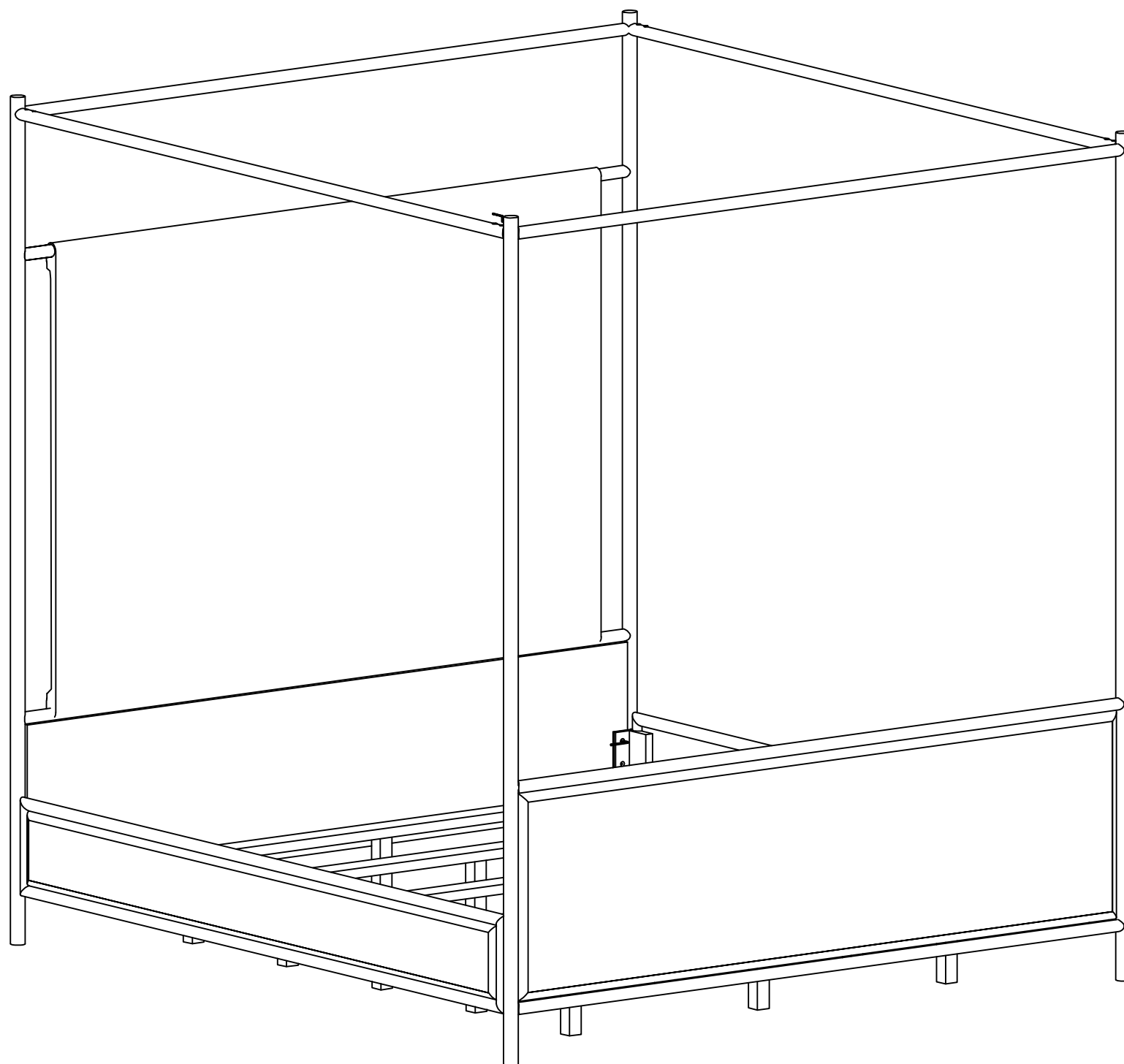
### Care Instructions

Avoid direct exposure to sunlight.

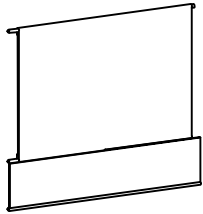
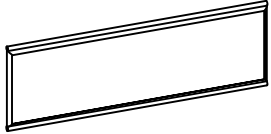
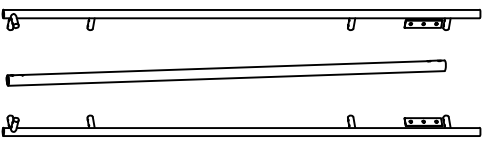
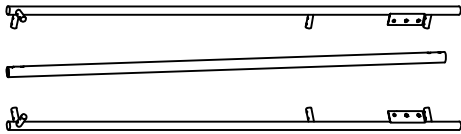
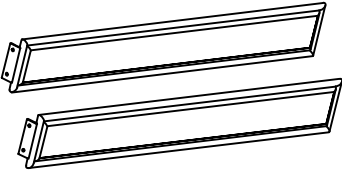

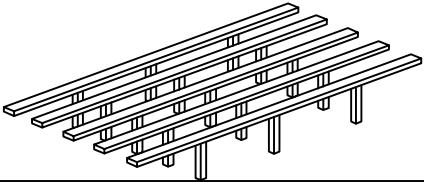
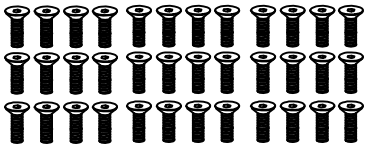
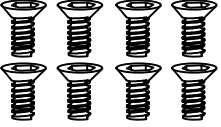




Do not place over heat or air conditioning vents. Blot spills with a clean white cloth, do not rub.

Do not use harsh chemicals. Before cleaning any part test a small spot in a hidden area.

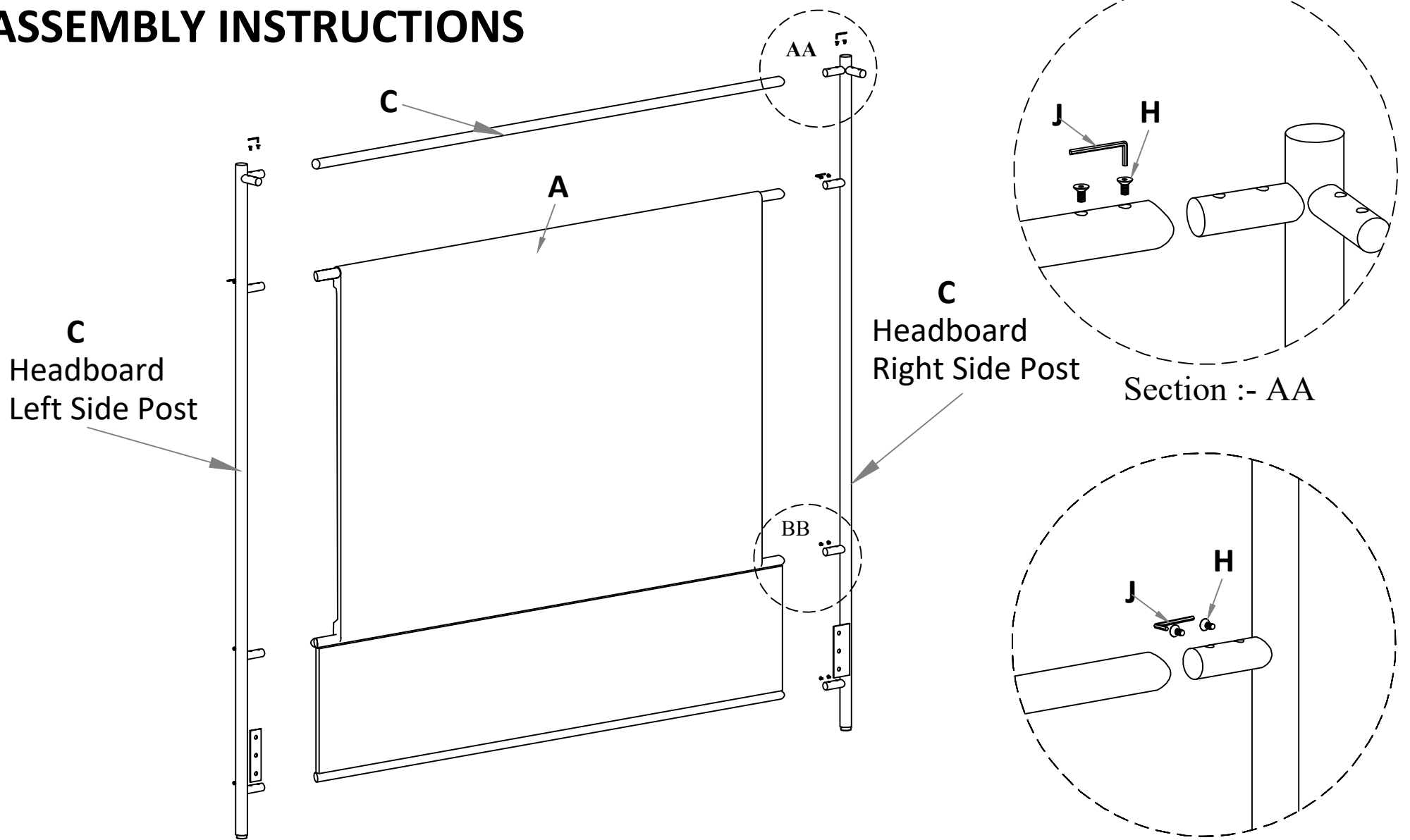
You may need to re-tighten all bolts after initial use.



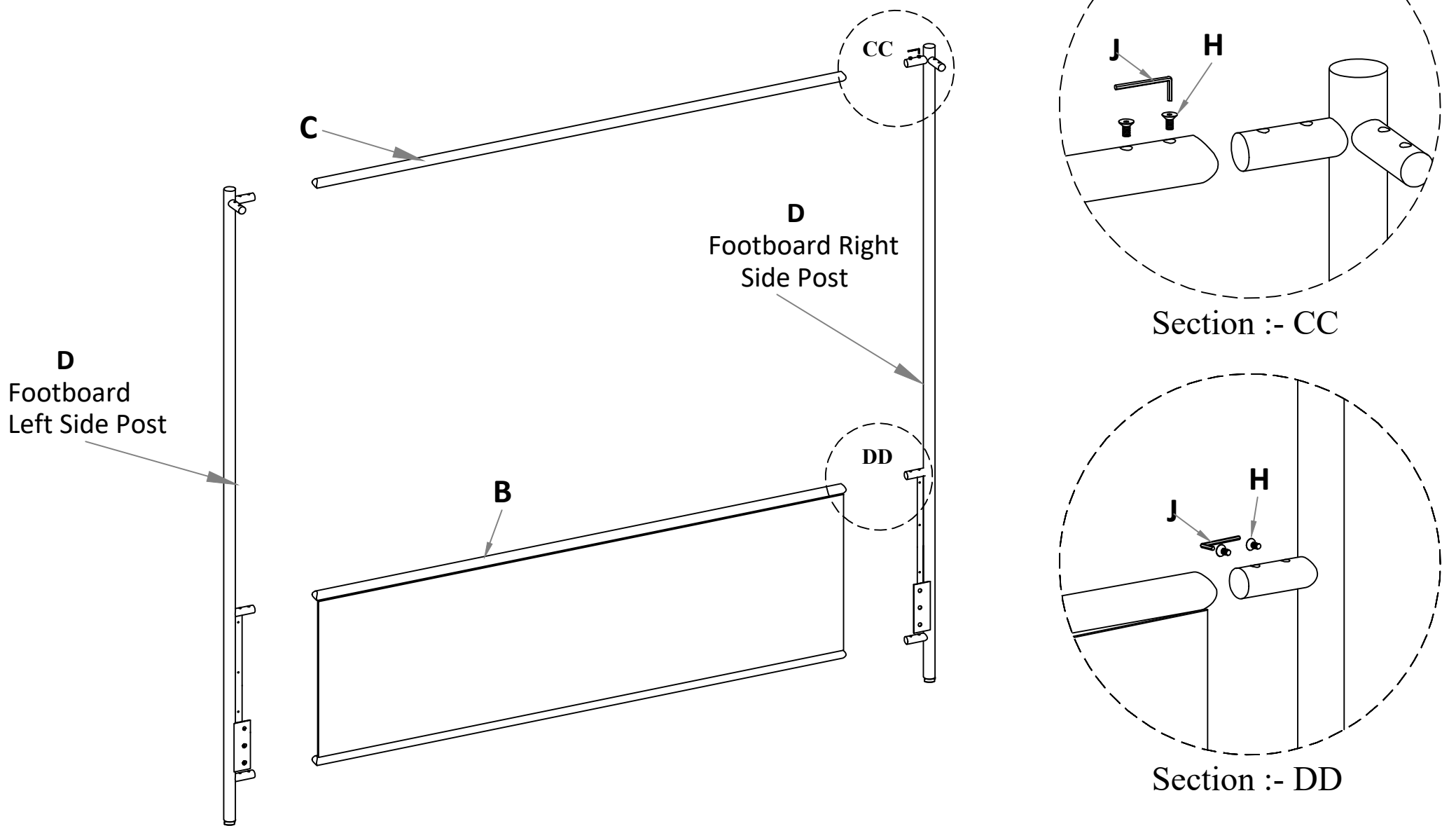
**PARTS IDENTIFICATION:**

S. No.	ITEM	DESCRIPTION	QTY
A		Headboard	1
B		Footboard	1
C		Headboard post & Top Support	3
D		Footboard post & Top Support	3
E		Side Rail	2
F		Canopy Top Support	2
G		Slats supports	5
H		6mm x 15mm Allen Bolts	36+4
I		12mm x 32mm Allen Bolts	8+2
J		5mm Allen Key	1
K		8mm Allen Key	1
L		Flat Head Wood Screw	6+2
M		Levelers	4

# ASSEMBLY INSTRUCTIONS

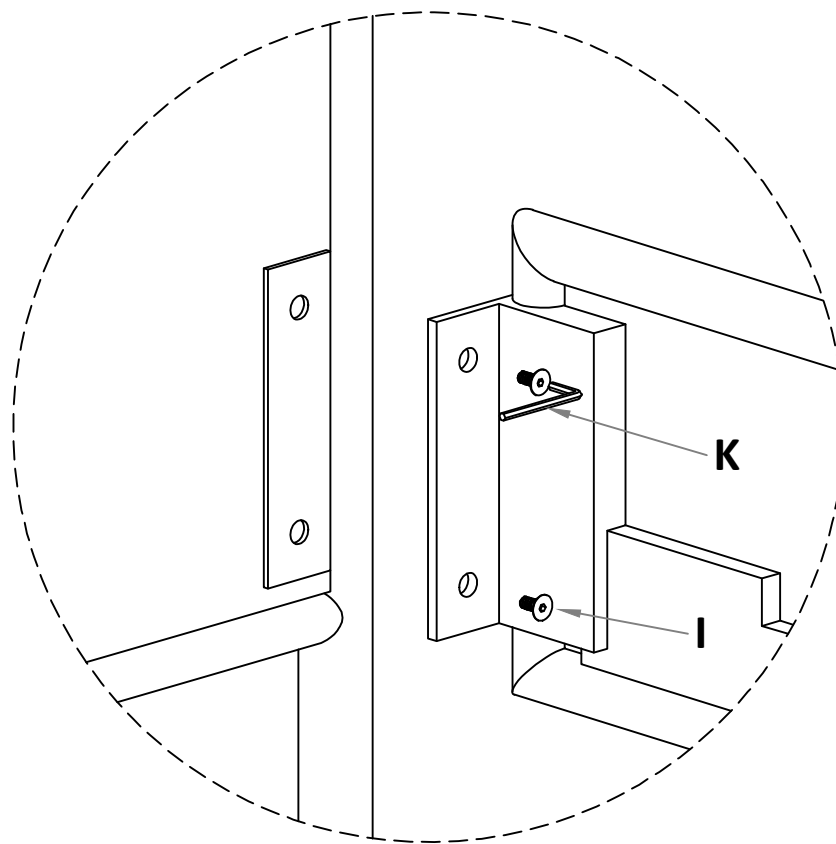
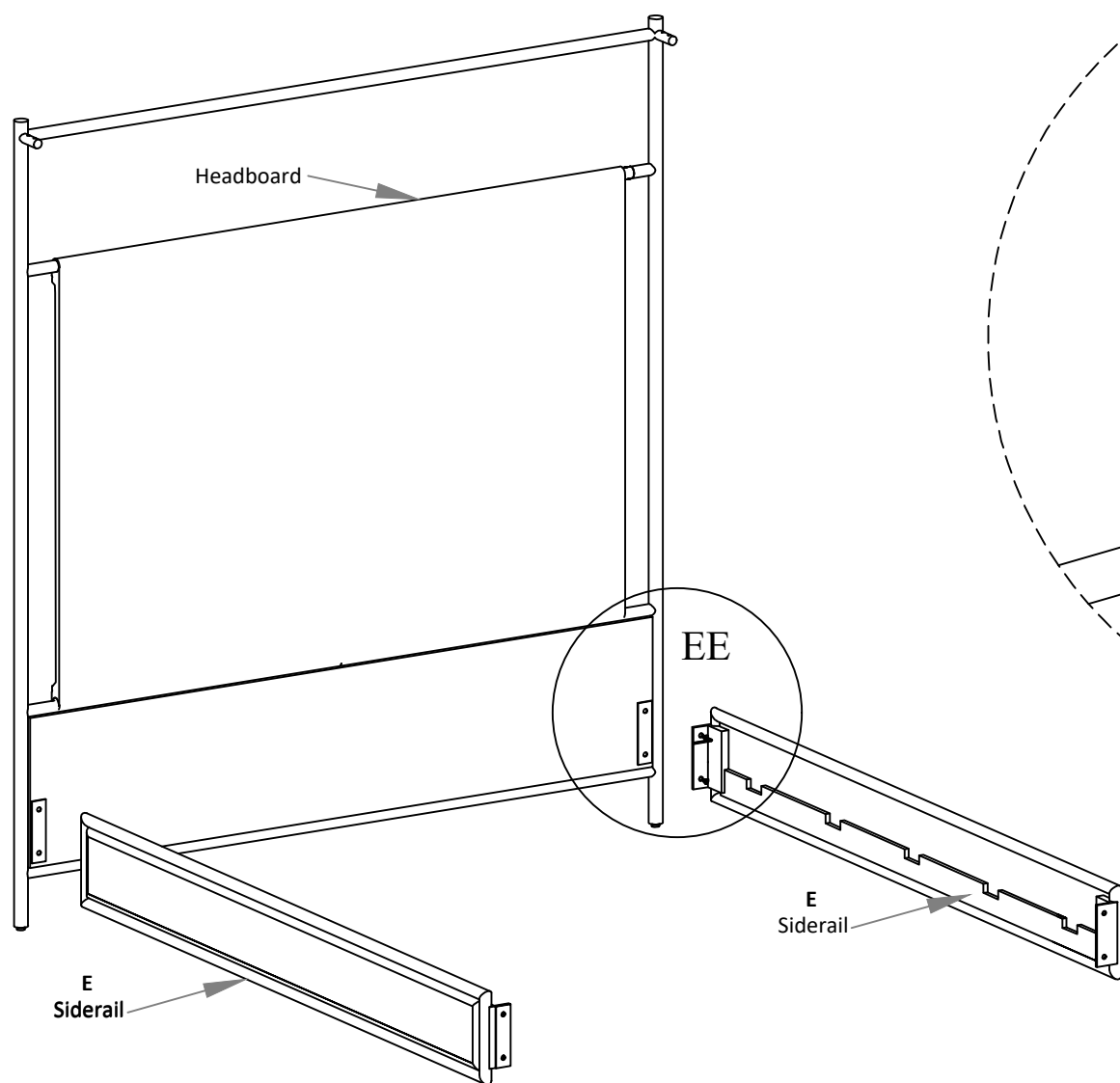


1. Carefully unpack the contents.
2. Lay down the Headboard, Headboard left side post, Headboard Right side post, Headboard Top Support on the carpet or any soft surface.
3. Fasten the Headboard right side post Support with the right side of the headboard together as shown in the picture. Repeat the same for left side post support. (Ref Section AA & BB)



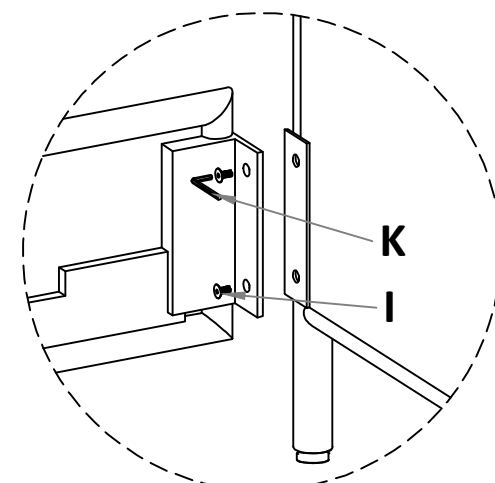
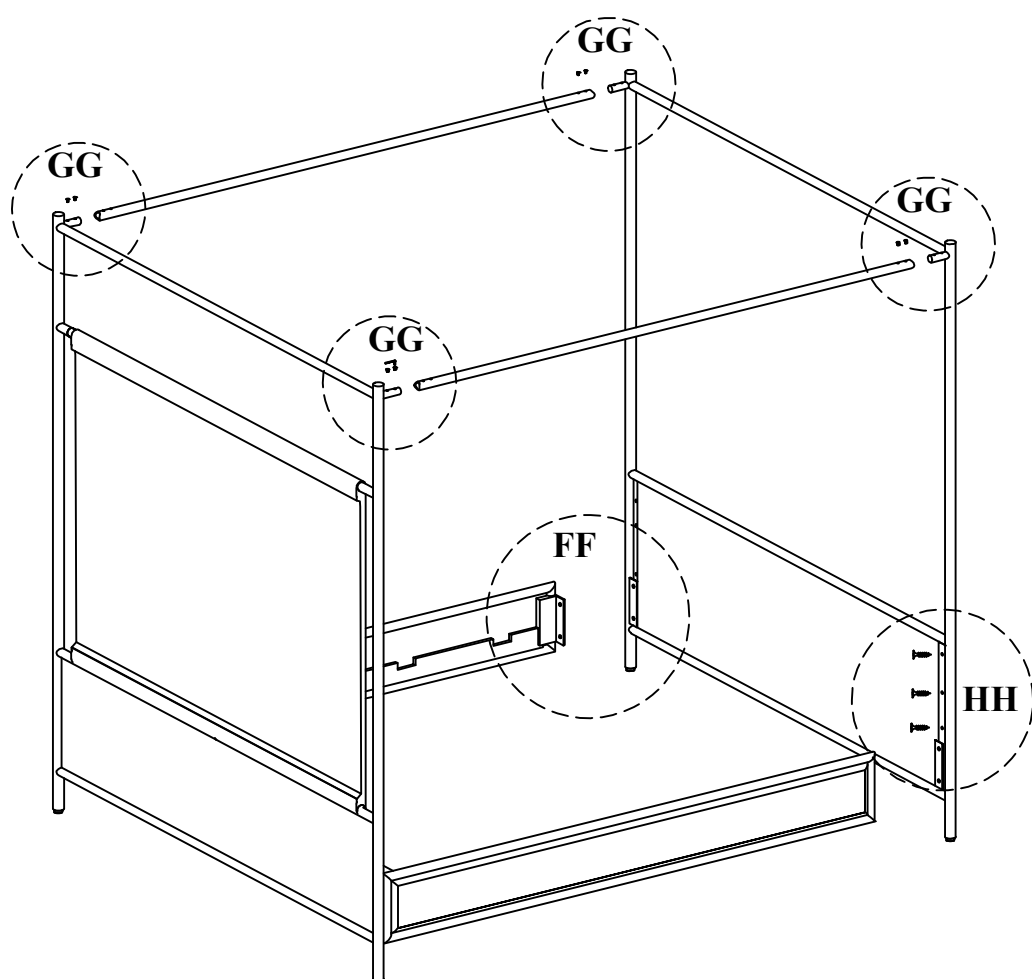
4. Lay down the footboard, footboard Leg side post, footboard right side post and footboard Top Support flat on the carpet.
5. Fasten the footboard right side post with the footboard as shown in the picture. (Ref: Section CC & DD)  
Repeat the same for the left side. (Ref: Section CC & DD)

# ASSEMBLY INSTRUCTIONS

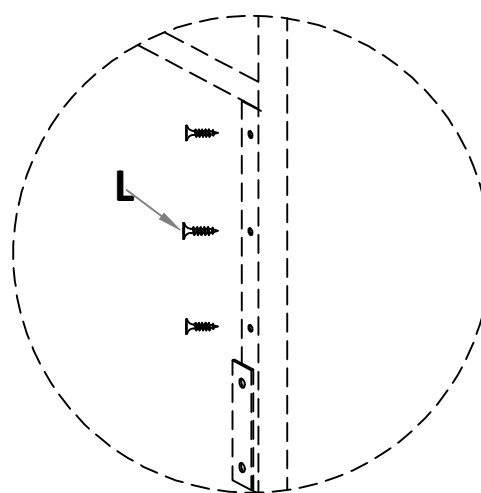


Section :- EE

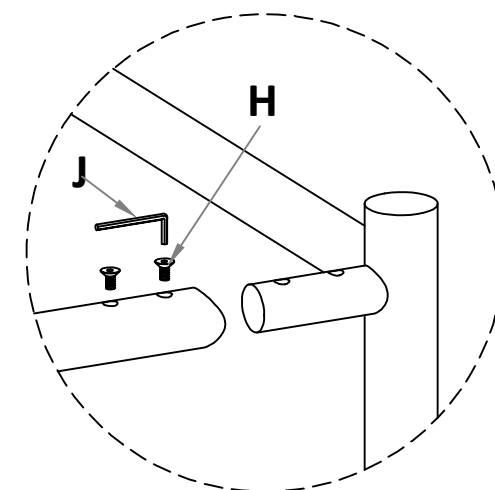
6. Place the headboard in upright position wherever you desire to place the bed.
7. Place the right-side rail to the right side of the headboard, then fasten with Allen bolt part no I. (Ref: Section EE)
8. Repeat step 7 for left Side rail to place on left side of the headboard, then fasten with Allen bolt part no I.



Section :- FF

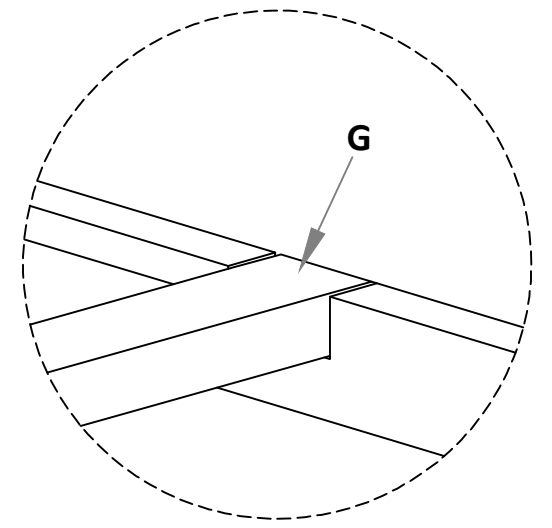
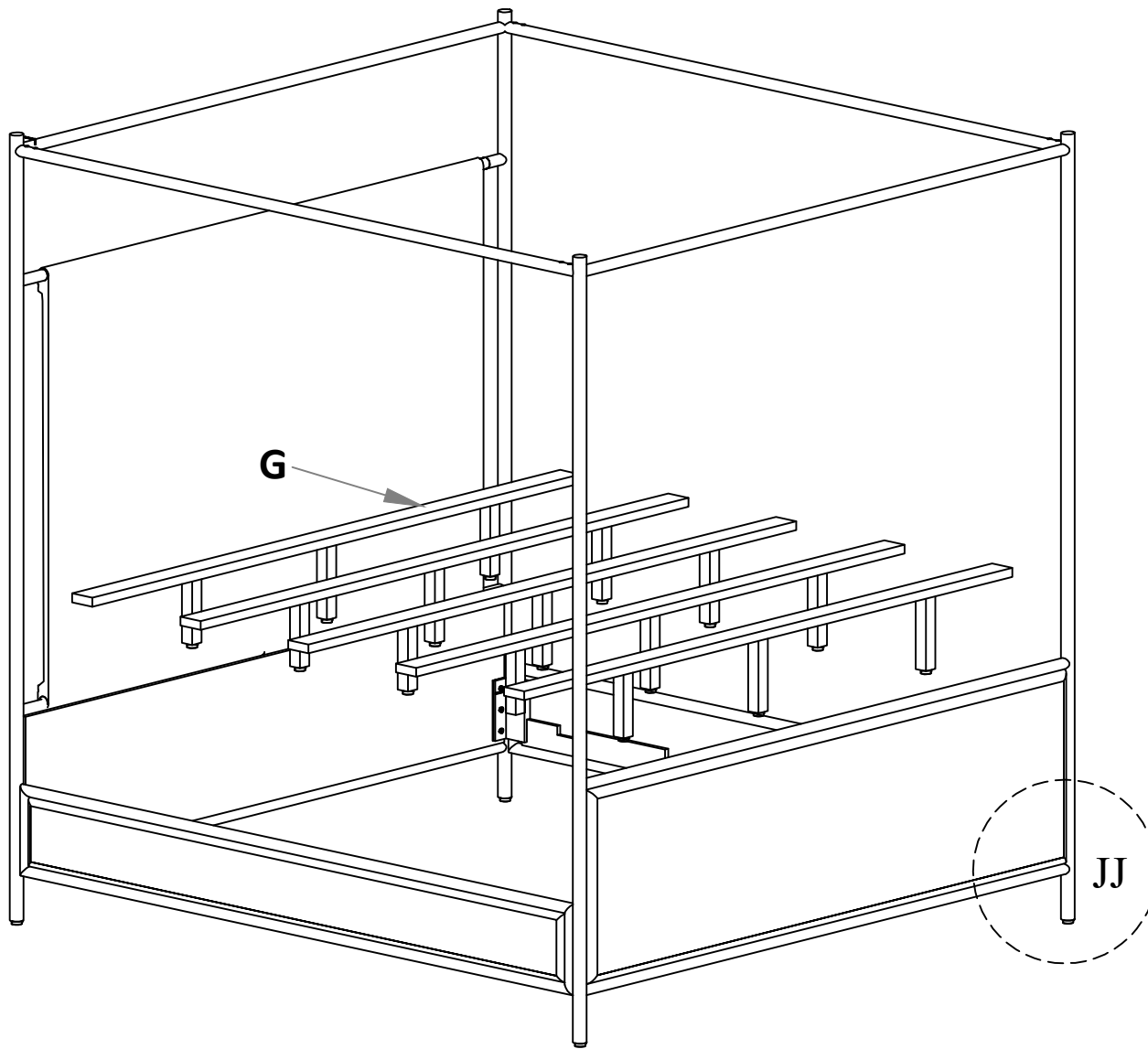


Section :- HH

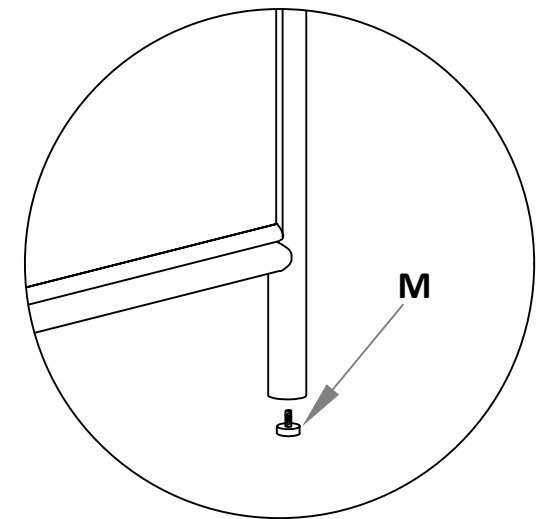


Section :- GG

9. Place the footboard on the opposite side of the Headboard and adjacent to side rails.
10. Fasten the side rail with foot board on both left & right-side rails using Allen bolt with Allen key. (Ref Section FF)
11. Section H is optional to fix the foot board with foot board leg support to hold foot board upholstery.
12. Place the Canopy top side support in the insert provided in the vertical pipes of the Headboard and Footboard as shown in picture.  
Use bolts and insert them into the aligned holes tighten the bolts using the Allen key provided (Ref: Section GG)

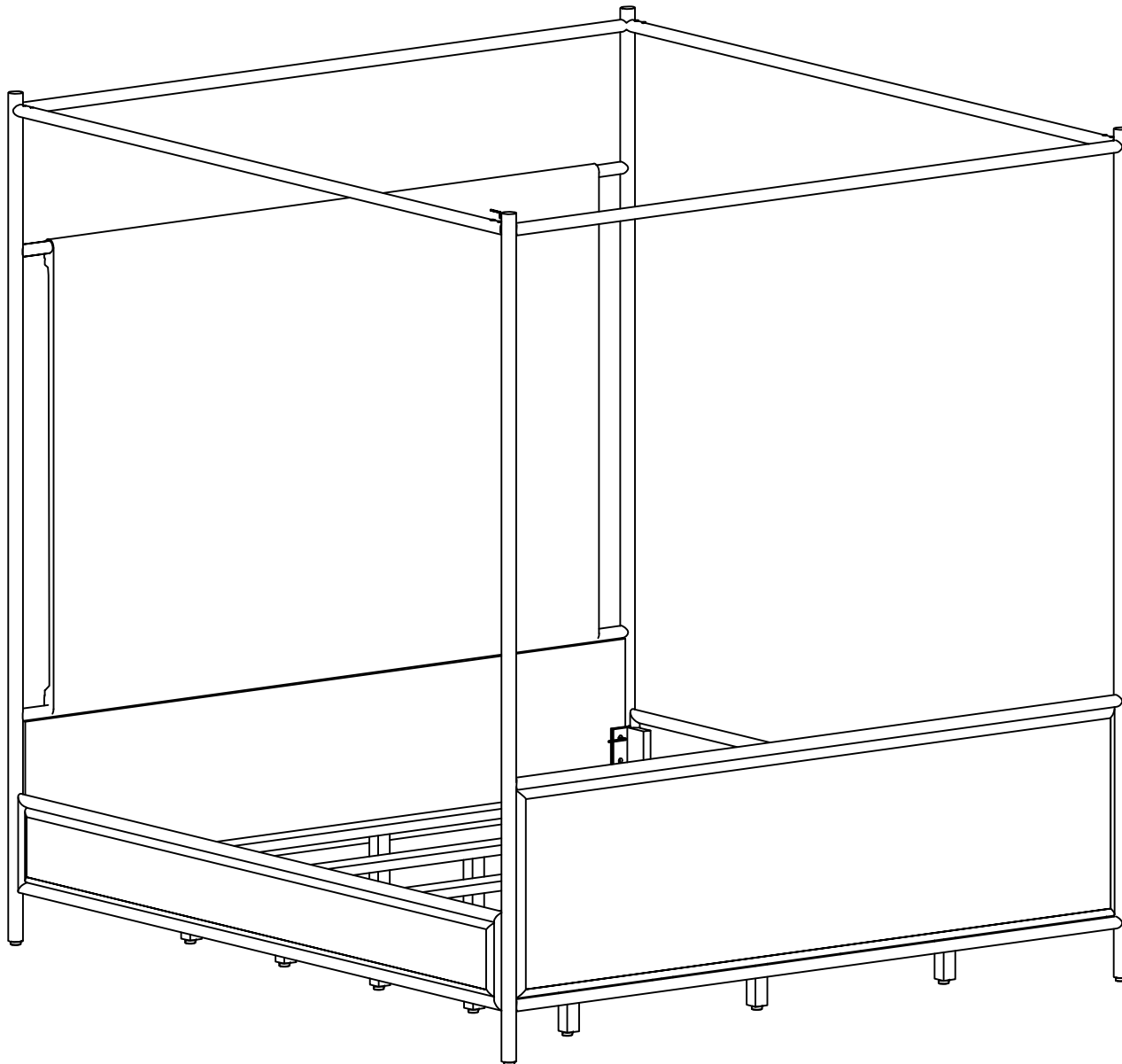


Section :- II



Section :- JJ

13. Fix the Slat Supports on the Side rails as shown in picture.( Ref Section II).  
The slat support has leveller please adjust them in the level of the floor. ( Ref Section JJ)



14. Please recheck and tighten all the bolts and screws and now your bed is ready to use.