



20 cu. ft. 3-Door French Door Refrigerator

- 33" Width
- 20.2 cu. ft. Capacity
- LED Lighting
- Dual Ice Makers
- LG ThinQ® Technology (Wi-Fi)
- ThinQ Care

COUNTER-DEPTH MAX™



COLOR AVAILABILITY

- LF20G6331S – PrintProof® Stainless Steel

CAPACITY

| | |
|--------------------------|------|
| Refrigerator (cu. ft.) | 13.6 |
| Freezer (cu. ft.) | 6.6 |
| Total Capacity (cu. ft.) | 20.2 |

ENERGY

| | |
|---------------------------------|-----|
| Energy Consumption (kWh / Year) | 678 |
| ENERGY STAR® Certified | Yes |

WATER & ICE SYSTEM

| | |
|--|--------------------------------|
| In-Door Dispenser | Ice & Water |
| Internal Water Dispenser | No |
| In-Door Ice System | Yes |
| In-door Ice Maker - Ice Type | Cubed / Crushed |
| In-door Ice Maker - Daily Ice Production | 2.5 lbs. (2.7 lbs. w/IcePlus®) |
| In-door Ice Maker - Ice Storage Capacity | 2.3 lbs |
| Freezer Ice Maker | Yes |
| Freezer Ice Maker - Ice Type | Cubed |
| Freezer Ice Maker - Daily Ice Production | 2.5 lbs. (2.8 lbs. w/IcePlus®) |
| Freezer Ice Maker - Ice Storage Capacity | 5.1 lbs |
| Dispenser Light | No |
| Water Filter | LT1000P (NSF-Certified*) |

COOLING

| | |
|-----------------------|-------------------|
| Compressor Type | Smart Inverter |
| Dual Evaporators | No (1 evaporator) |
| Multi-Air Flow System | Yes |
| Door Cooling | No |
| Temperature Sensors | 5 |
| Fresh Air Filter | No |

CONVENIENCE

| | |
|-------------------------|----------------------|
| Display Type | Membrane / White LED |
| Temperature Controls | Electronic / Digital |
| Door Alarm | Yes |
| Child Lock | Yes |
| Auto Closing Door Hinge | Yes |
| ADA Compliant | Yes |
| Sabbath Mode | Yes |

REFRIGERATOR

| | |
|-------------------------------|-------------------|
| No. of Shelves | 4 Split (4 Fixed) |
| Cantilevered Shelves | Yes |
| Shelf Construction | Tempered Glass |
| Crisper Bins | Yes (2) |
| Glide N' Serve® Pantry Drawer | Yes |
| Cool Guard | No |
| Refrigerator Light | Yes |

REFRIGERATOR DOOR

| | |
|-------------------------------------|---------------------|
| Edge-to-Edge InstaView® | No |
| InstaView® Door-in-Door® | No |
| Door-in-Door® with ColdSaver® Panel | No |
| No. of Door Bins | 6 (3 Left, 3 Right) |
| Door Bin Construction | 1 Piece (Clear) |

FREEZER

| | |
|-----------------------------|---------------------|
| Freezer Type | Pull Drawer |
| Freezer Drawers | 2-Tier Organization |
| DuraBase® Solid Drawer Base | Yes |
| Drawer Divider | Yes (Fixed) |
| Ice Storage | Ice Bin in Freezer |
| Freezer Light | LED Lighting |
| Freezer Handle | Pocket Handle |

SMART FEATURES

| | |
|-------------------|--------------------------------|
| Wi-Fi Enabled | Yes |
| ThinQ® Technology | Yes |
| ThinQ Care | Yes |
| ThinQ Up | Yes |
| Voice Control | Google Assistant, Amazon Alexa |
| SmartDiagnosis™ | Yes |
| Remote Monitoring | Yes |

MATERIALS AND FINISHES

| | |
|---|--------|
| Hidden Hinges | Yes |
| Surface | Smooth |
| Fingerprint & Smudge Resistant Exterior | Yes |
| Handles | Hybrid |

ACCESSORIES

| | |
|--------------------------|---------|
| Replacement Water Filter | LT1000P |
|--------------------------|---------|

TECHNICAL SPECS

| | |
|----------------------------|----------------------|
| Required Power Supply | 115 V, 60 Hz, 15 Amp |
| Plug Type | 3-Prong |
| Power Cord Location | Back |
| Min. / Max. Water Pressure | 20 - 120 psi |

DIMENSIONS / CLEARANCES / WEIGHTS

| | |
|--------------------------------------|--------------------------------|
| Depth with Handles | 31 1/4" |
| Depth without Handles | 28 3/4" |
| Depth without Door | 24 13/16" |
| Depth (Total with Door Open) | 41 11/16" |
| Height to Top of Case | 68 5/8" |
| Height to Top of Door Hinge | 69 15/16" |
| Width | 32 15/16" |
| Width (Door Open 90° with Handle) | 41 5/8" |
| Width (Door Open 90° without Handle) | 36 11/16" |
| Door Edge Clearance with Handle | 4 3/4" |
| Door Edge Clearance without Handle | 2 1/4" |
| Installation Clearance | Sides 1/8", Top 1", Back 2" |
| Approx. Weight (Product / Carton) | 245 lbs. / 266.2 lbs. |
| Carton Dimensions (WxHxD) | 34 7/16" x 70 13/16" x 31 1/4" |

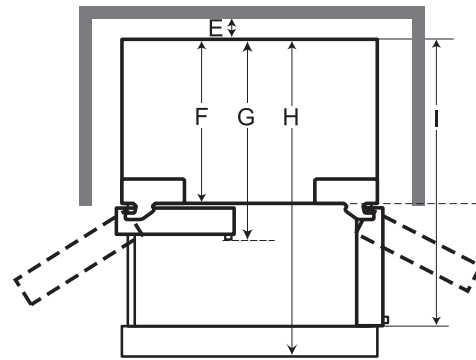
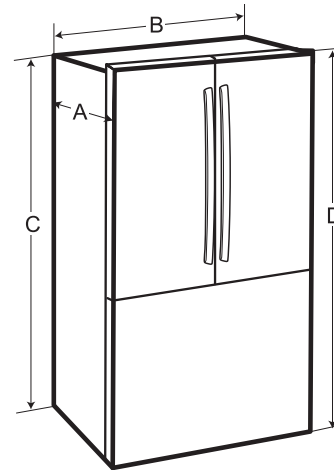
LIMITED WARRANTY

| | |
|--|------------|
| Parts & Labor | 1 Year |
| Sealed System (Parts & Labor) | 5 Years |
| Compressor (Parts & Labor) | 5 Years |
| Smart Inverter Compressor (Parts Only) | 6-10 Years |



*System tested and certified by NSF® International against NSF / ANSI Standard 42, Standard 53 and Standard 401.

DIMENSIONS / CLEARANCES



DIMENSIONS / CLEARANCES

| | | |
|---|--|----------------------|
| A | Depth without Handles | 28 3/4" (731 mm) |
| B | Width | 32 15/16" (836.6 mm) |
| C | Height to Top of Case | 68 5/8" (1743 mm) |
| D | Height to Top of Hinge | 69 15/16" (1776 mm) |
| E | Back Clearance | 2" (50 mm) |
| F | Depth without Door | 24 13/16" (630 mm) |
| G | Depth with Handle | 31 1/4" (794 mm) |
| H | Depth (Total with Freezer Drawer Open) | 45 7/8" (1165 mm) |
| I | Depth (Total with Door Open 90°) | 41 11/16" (1058 mm) |

INSTALLATION NOTES

- The installation location chosen for the refrigerator should allow space behind the unit for connections and airflow and space in front to open the doors and drawers.
- Too small of a distance from adjacent items may result in lowered freezing capability and increased electricity consumption charges. Allow at least 24 inches (610 mm) in front of the refrigerator to open the doors, and at least 2 inches (50.8 mm) between the back of the refrigerator and the wall.