



# ASSEMBLY INSTRUCTIONS

MODEL

**FM7270-N**

Questions?

GIVE US CALL: 1-888-980-5122  
MON-FRI 8:30AM - 5:30PM (PT)

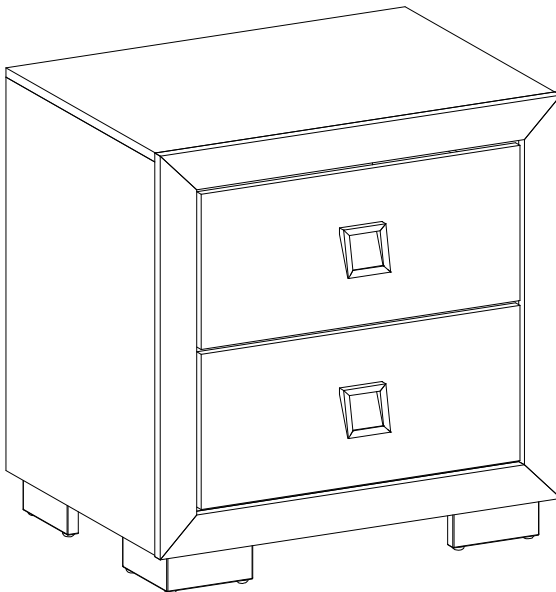
## TOOLS REQUIRED



Allen Wrench  
(Included)



Screwdriver  
(Not Included)



2 - People

## ASSEMBLY RATING



EASY —————> DIFFICULT

The Assembly Rating is a 5-point system showing the level of effort needed to assemble a specific product.




FOA Intro


Thank you for your purchase!

We hope you enjoy this new addition to your home for many years to come.

Our commitment to providing quality products does not simply end when you purchase our product. We fully stand behind our products from start to finish. Our customer service department is available Monday – Friday 8:30 AM – 5:30 PM Pacific Time and can help with assembly questions as well as, if necessary, replacing damaged or missing parts. To help expedite our service, please have these assembly instructions readily available, along with your order receipt.

 **Consumer Hotline**  
Toll-Free 1-888-980-5122

 **WEBSITE**  
[www.foagroup.com](http://www.foagroup.com)

 **Monday to Friday**  
8:30AM- 5:30PM (PT)

 **E-MAIL**  
[cs.ec@foagroup.com](mailto:cs.ec@foagroup.com)

    foagroup

 FurnitureOfAmerica

---

## CHECK BEFORE STARTING

**Are you missing anything?**  
Double-check all parts, hardware and accessories listed are all accounted for.

**Should we send any replacements?**  
Are there any irregularities or flaws in the parts? We can send replacements!

**Check out our Quick Tips!**  
We recommend reviewing the pre-assembly handouts. Even experts need a refresher now and then!

**Prep Time!**  
Please review the assembly instructions and all diagrams prior to assembling.

# PRE ASSEMBLY INTRODUCTION

We understand building ready-to-assemble furniture can be a challenging experience for some. To help avoid confusion, we have provided some helpful tips that may speed up the process.



## Teamwork

ALWAYS have at least two people to help with transporting and assembling the product to avoid potential injury and/or damage.



## Suitable Location

Assembling near the area of the intended location is highly recommended.



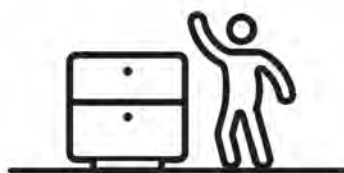
## Sufficient Space

Make sure you have enough space to move around during the assembly.



## Avoid Scratches

Use cardboard, blankets or a carpeted area while assembling furniture to prevent scratches and damages.



## Flat Surface

Make sure the furniture rests on a flat and level surface with each leg evenly touching the floor.

# ASSEMBLY AND CARE ADVICE



**FAILURE TO FOLLOW THE GUIDELINES BELOW MAY RESULT IN INJURY AND/OR PROPERTY DAMAGE.**



Position each part correctly and insert screws or bolts into their respective holes.



Turn clockwise to tighten and only tighten when step is completed or when instructed to do so.



Use the appropriate hand tools or power tools for assembly. Select steps, such as tightening screws and/or bolts, may require hand tools to avoid causing damage during assembly.



Save the instructions and store any supplied tools for later maintenance.



After two weeks, check and tighten any loose hardware and repeat again every six months thereafter.

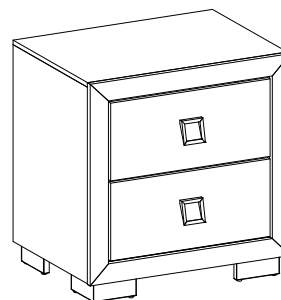
**IT IS THE USER'S RESPONSIBILITY TO MAINTAIN THE FURNITURE. THE HARDWARE MAY LOOSEN OVER TIME AND MAY CAUSE THE FURNITURE TO BE WOBBLY AND UNABLE TO SUPPORT ITS INTENDED WEIGHT CAPACITY. THIS MAY LEAD TO COLLAPSE AND MAY CAUSE SERIOUS INJURY.**

# NIGHTSTAND

## FM7270-N

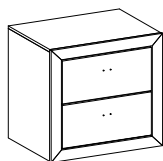


- Please keep instructions for future reference.
- Check the quantity and irregularity of parts and hardware before you start.



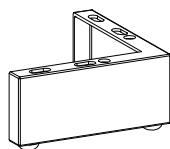
### PARTS

1 1pc



NIGHTSTAND

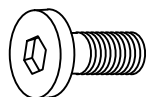
2 4pcs



METAL LEG

### HARDWARE

A 8pcs



BOLT M6 x 15MM

B 1pc



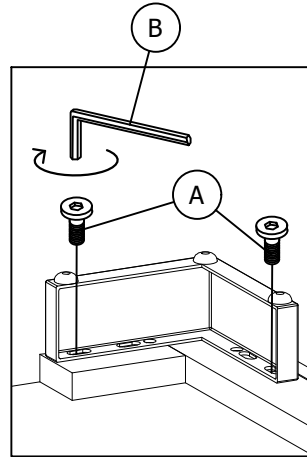
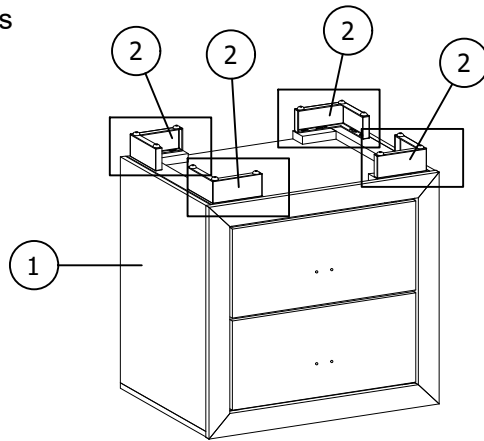
ALLEN KEY M4

# ASSEMBLY INSTRUCTIONS

1

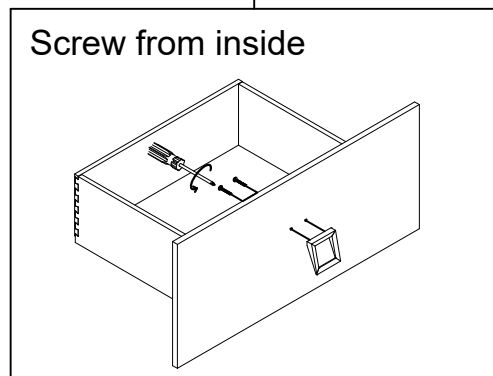
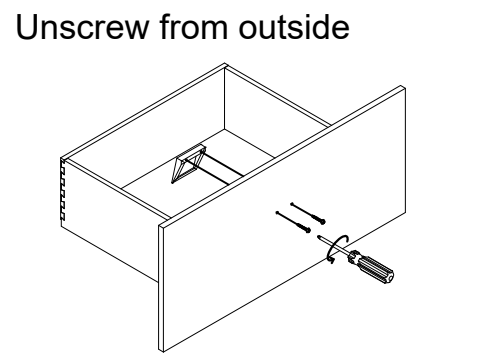
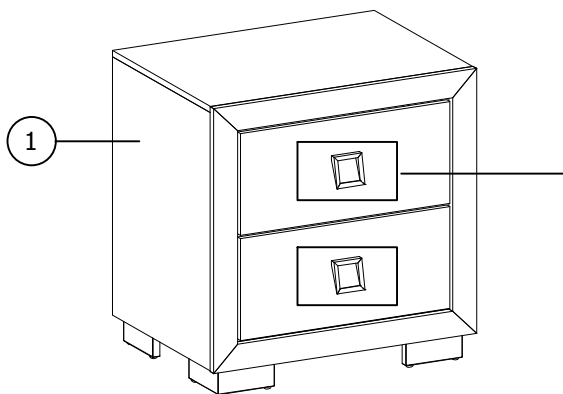
Align the metal leg (#2) to the nightstand (#1) and secure with bolt (#A) by using allen key (#B).

- Part (#1) x 1pc
- Part (#2) x 4pcs
- Hardware (#A) x 8pcs
- Hardware (#B) x 1pc



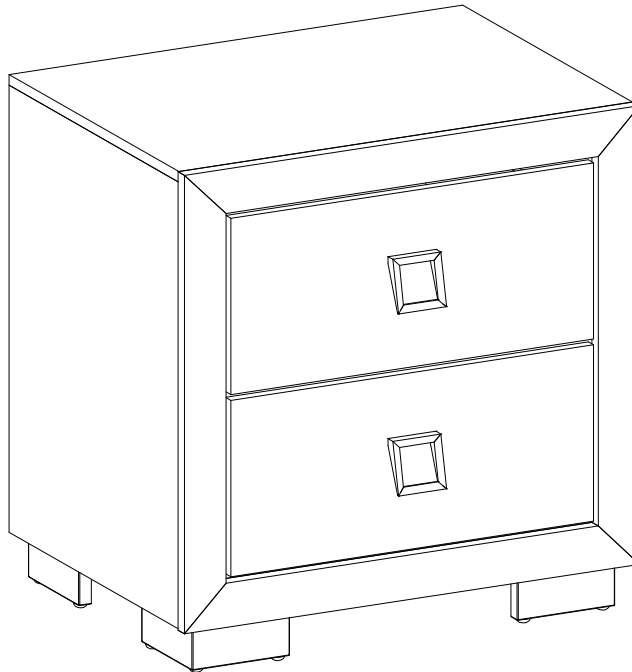
2

- Part (#1) x 1pc



# ASSEMBLY INSTRUCTIONS

3



**ASSEMBLY  
COMPLETED**

Please ensure the  
furniture rests on an even  
and flat surface. If the  
product wobbles or feels  
loose, double-check all  
bolts and/or screw are  
properly tightened and  
secured.

- ✔ **Keep this handy!**  
Please retain this instruction  
manual and any order-related  
information for future reference.
- ✔ **Lift, don't drag!**  
To avoid damage to product  
please always LIFT the product  
when transporting or adjusting  
the placement.

---

This product is intended for RESIDENTIAL USE ONLY and not for commercial use.