



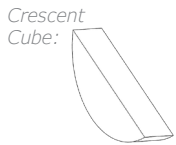
Stainless Solid



Black Solid



White Solid



Key Features

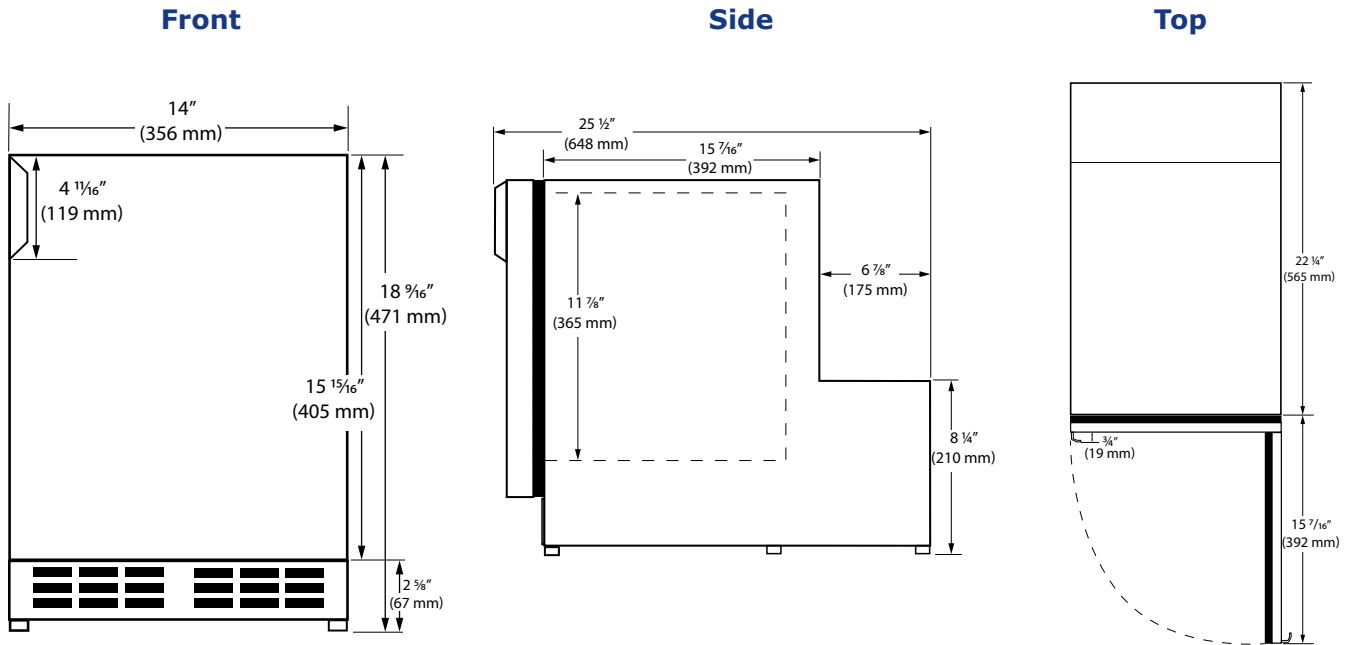
- Makes crescent shaped cubes approx. 1/2" W x 3/4" H x 2 1/4" L
- Produces up to 23 lb of ice per day
- Stores 12 lb of ice
- On / off switch
- White interior
- Stainless steel handle (7/8" diameter)
- Field reversible door is shipped right-hand hinged
- Built-in or freestanding
- No drain required

Model Details

Model	Voltage/Hz	Door Swing	Finish	Shipping Weight
UMCR114-SC02A	230 / 50	Field Reversible	Stainless Solid	65 lb (30 kg)
UMCR114-BC02A	230 / 50	Field Reversible	Black Solid	68 lb (31 kg)
UMCR114-WC02A	230 / 50	Field Reversible	White Solid	68 lb (31 kg)

Accessories

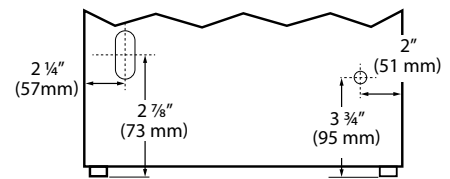
Model	Description	Finish	Shipping Weight
ULAWATERHOOKUP	Braided water supply line kit	N/A	2 lb
U-POWERCORD-2056	Power Cord 230 V Great Britain/Ireland	N/A	N/A
U-POWERCORD-2256	Power Cord 230 V Australia/New Zealand	N/A	N/A
U-POWERCORD-2667	Power Cord 230 V Continental Europe	N/A	N/A
U-POWERCORD-3071	Power Cord 230 V China	N/A	N/A
U-POWERCORD-3111	Power Cord 230 V India	N/A	N/A



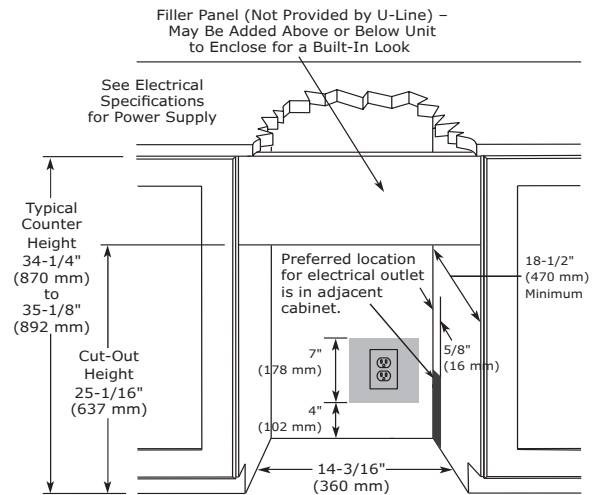
Specifications

Model	MCR114
Amps: Running	1.2 amps
Amps: Max Start Up	6 amps
Ice Production Per Day	23 lb (10,4 kg)
Dimensions: Product Depth	25 1/2" (648 mm)
Dimensions: Product Height	18 9/16" (471 mm)
Dimensions: Product Width	14" (356 mm)
Energy Consumption: Avg. Per Year	TBD
Refrigerant Type	R600a
Energy Efficiency Class	TBD
Climate Class	TBD
Noise Emissions	TBD
Foam Blowing Agent	TBD

Back



Cabinet Cut-Out



Installation Notes

- No additional clearance is needed for ventilation
- Do not obstruct front grille air flow

Warranty

- 1 Year (parts & labor) / 5 year sealed system (parts)
- + **Additional 1 Year (parts & labor) warranty at no cost with product registration**

See complete warranty for details

