

INSTALLATION

Check the appliance is electrically safe when you have finished.

12. Conversion to LP Gas

Fig. 12.1

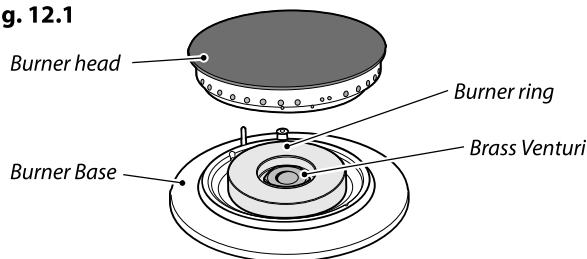


Fig. 12.2

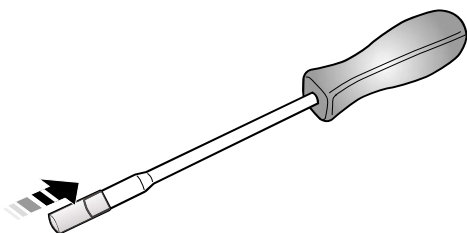
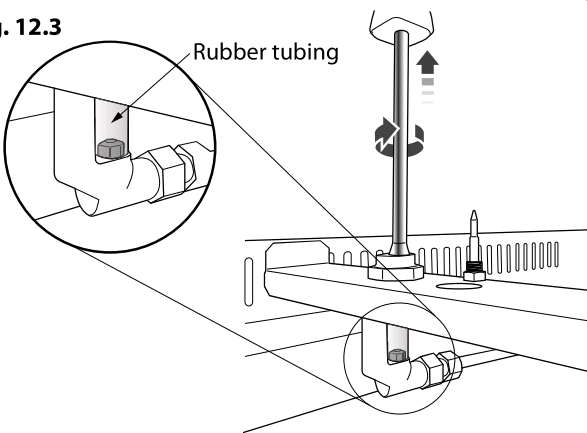


Fig. 12.3



Important

- Observe all governing codes and ordinances.
- The range must be properly grounded.
- Save these instructions for the local electrical inspector's use.

When servicing or replacing gas carrying components disconnect from gas before commencing operation and check appliance is gas sound after completion. When checking for gas leaks use a liquid leak detector at all joints and connections to check for leaks in the system. Use a product specifically manufactured for leak detection. Leak testing of the appliance shall be conducted in accordance to the manufacturer's instructions.

For your safety

DO NOT store or use combustible materials, gasoline or other flammable vapors and liquids in the vicinity of this or any other appliance.

Conversion to Propane

This appliance is supplied set for Natural gas. A conversion kit for Propane gas is supplied with the range (kit number A060048).

If the appliance is to be converted this must be done before installation. The conversion must be performed by a qualified LP gas installer. After conversion the installation must comply with the relevant regulations and also the local electricity supply company requirements. Read the instructions before converting this appliance.

Failure to convert the appliance correctly could invalidate any warranty or liability claims and lead to prosecution.

This instruction must be used in conjunction with the rest of the appliance instruction, in particular for information on Standards, range positioning, connection hose suitability etc.

When servicing or replacing gas-carrying components disconnect from gas before commencing operation and check appliance is gas sound after completion.

DO NOT use reconditioned or unauthorized gas controls.

Orifices

Remove the burner heads. Undo the large brass nuts and remove the brass venturis and ring, if fitted (**Fig. 12.1**).

Using a long socket wrench slacken off each of the orifices, **no more than one full turn**.

Using the rubber tubing, provided in the conversion kit, fit over the end of the socket wrench (**Fig. 12.2**).

Carefully push the open end of the tubing onto the orifice (**Fig. 12.3**). Unscrew the orifice fully and lift clear of the cooktop.

INSTALLATION

Check the appliance is electrically safe when you have finished.

Save the orifices removed from the appliance for future use.

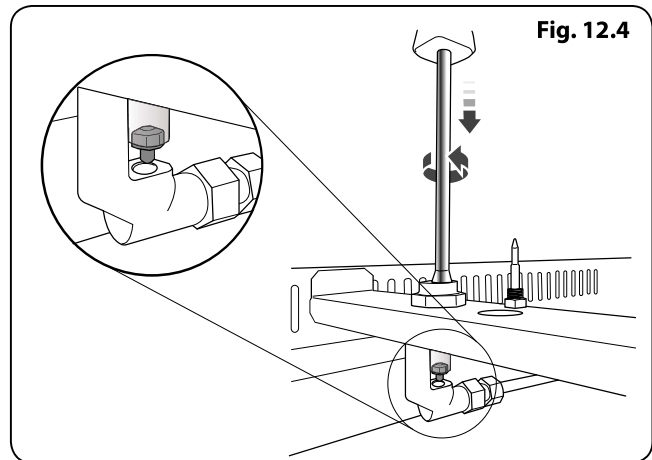
To Install the new orifices; see **Table 12.1** for orifice details.

Insert the new orifice into the open end of the rubber tube which is attached to the socket wrench. Screw into the orifice carrier as far as possible and lift the socket wrench away (**Fig. 12.4**).

Remove the rubber tubing from the socket wrench and tighten all of the orifices.

Fit the ring on the burner if fitted. Screw in the hexagon headed venturi to make fitting the burners easier. **DO NOT** tighten yet.

When all the venturis have been fitted tighten the venturi nuts.



Valve Adjustment

Removing the control panel

Pull off all the control knobs.

Open both oven doors and remove the fixing screws underneath the control panel.

The cooling guide, below the control panel, and its 2 fixing screws must be removed to gain access to the control panel fixings.

Remove the 3 fixing screws at the top of the control panel.

Pull the control panel forward. Taking care not to damage it, by protecting it with cloth for example, rest it on the open oven doors.


Bypass screw adjustment

Turn the bypass screw on each control clockwise to the stop (**Fig. 12.5**).

Reassemble

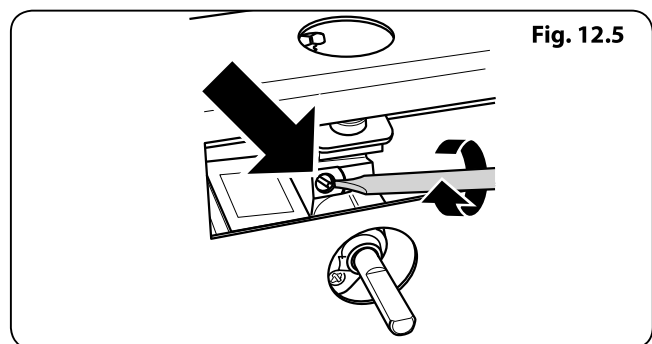
Replace the control panel and secure with fixing screws.

Refit the control panel and the control knobs.

|  | Natural Gas | Propane Gas* |
|---|-------------|--------------|
| Center burner | 205 | 118 |
| Large Burners | 150 | 99 |
| Right front burner | 112 | 68 |

* Jets and labels can be found in the accompanying bag

Table 12.1



INSTALLATION

Check the appliance is electrically safe when you have finished.

Fig. 12.6

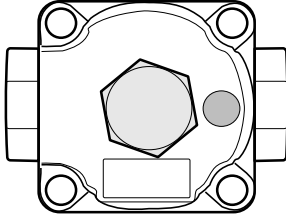


Fig. 12.7

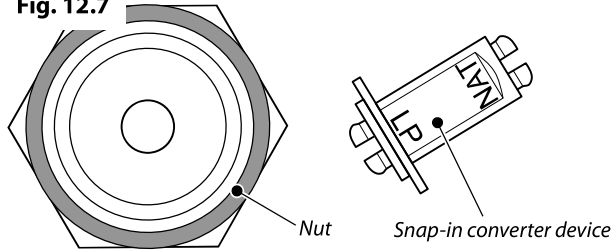


Fig. 12.8

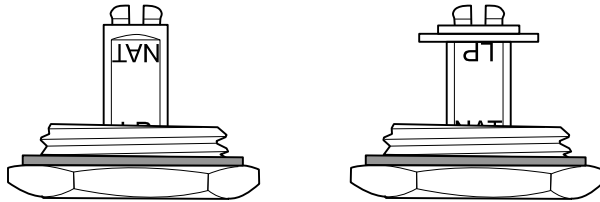


Fig. 12.9

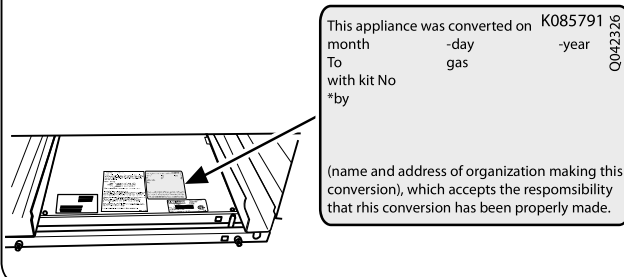


Fig. 12.10

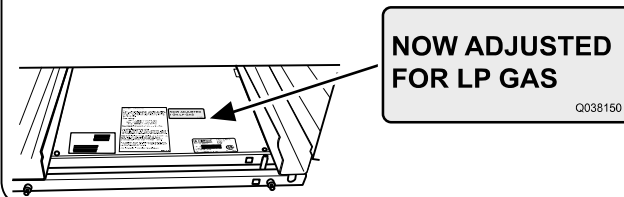
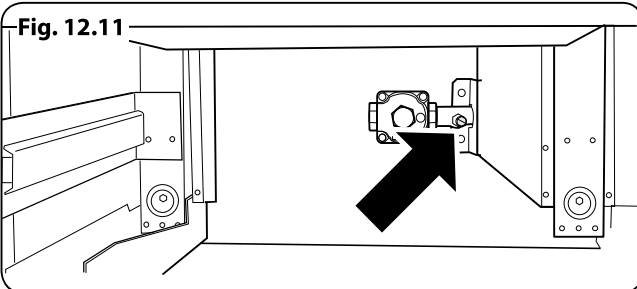


Fig. 12.11



Gas regulator adjustment

NOTE: To avoid exterior damage to the storage drawer. Place a soft cushioned mat on the floor.

To access the gas regulator remove the storage drawer (see **Removing the drawer**). Once the drawer has been removed the regulator is now visible (**Fig. 12.6**).

1. Unscrew the hexagonal nut in the front of the regulator. The regulator nut has a plastic snap-in converter device on the underside (**Fig. 12.7**). To convert the regulator snap the device out of the nut and replace the other way up.
2. The snap-in converter device is marked to show which gas it is set for (**Fig. 12.8**). Make sure the device is secure in the base of the nut and replace the nut to the regulator.

Stick on labels

Complete the conversion label (kit number A060048) and stick it next to the ratings label inside the drawer cavity to indicate the gas the appliance is now set for (**Fig. 12.9**).

Also, stick the "NOW ADJUSTED FOR LP GAS" label in a similar position (**Fig. 12.10**).

Pressure testing

Connect the appliance to the gas supply. Check the appliance is gas sound.

The gas pressure can be measured at the pressure test point on the appliance side of the pressure regulator (**Fig. 12.11**).

For proper operation, the pressure of LP supplied to the regulator must be between 10" and 13" of water column (2.49 – 3.24 kPa).

When checking for proper operation of the regulator, the inlet pressure must be at least 1" (0.25 kPa) greater than the operating (manifold) pressure as given above.

The pressure regulator located at the inlet of the range manifold must remain in the supply line regardless of whether natural or LP gas is being used.

The pressure with at least 2 surface burners operating should be 10" WC for Propane gas.

INSTALLATION

Check the appliance is electrically safe when you have finished.

Fitting the drawer

NOTE: To avoid exterior damage to the storage drawer. Place a soft cushioned mat on the floor.

To fit the drawer, refer to “Fitting the drawer”.

⚠ Check the appliance is gas sound.

DO NOT use a flame to check for gas leaks.

When using test pressures greater than ½ psi (3.5 kPa) to pressure test the gas supply system of the residence, disconnect the range and individual shut-off valve from the gas supply piping.

When using test pressures of ½ psi (3.5 kPa) or less to test the gas supply system, simply isolate the range from the gas supply system by closing the individual shut-off valve.

⚠ Check the operation of all the burners.