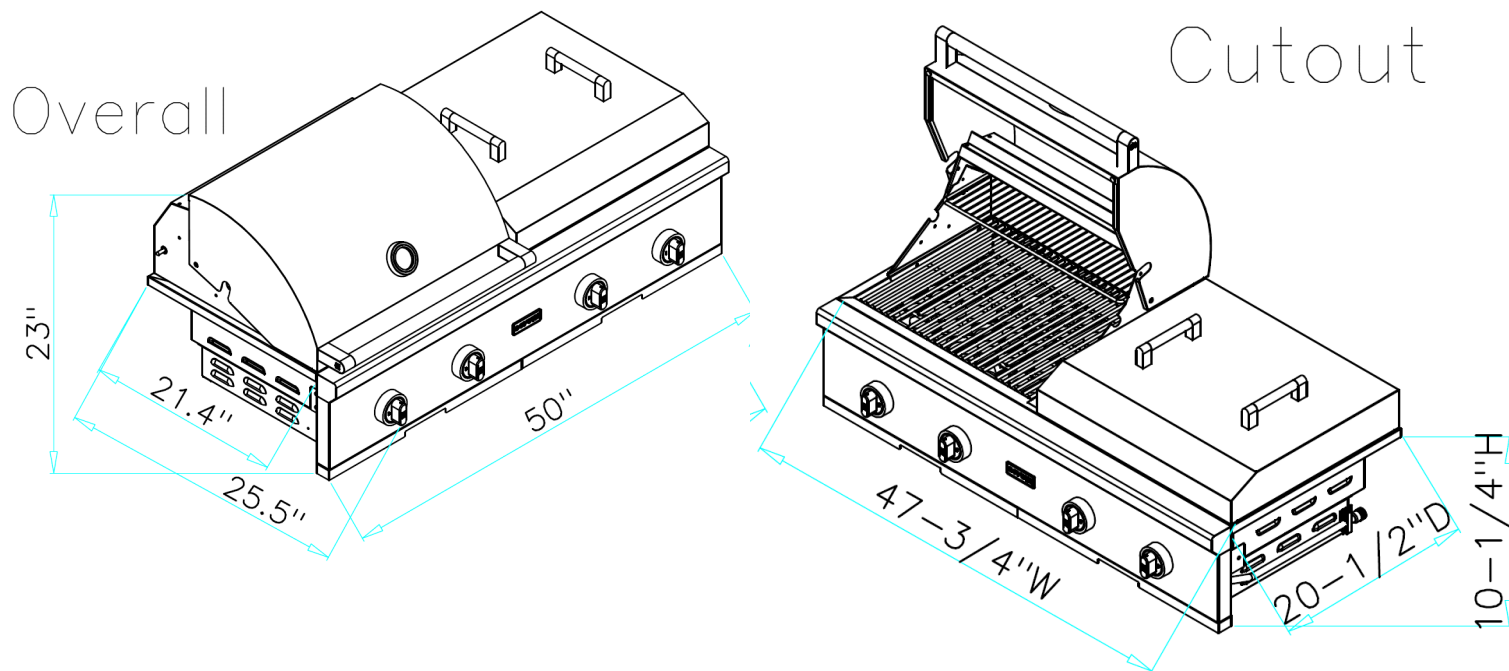


C3CO50 INSTALL GUIDE

DIMENSIONAL RENDERINGS



Overall Product Dimensions			
Model No.	Height	Width	Depth
C3CO50	23"	50"	25 1/2"

Cutout Dimensions for Island			
Model No.	Height	Width	Depth
C3CO50	10 1/4"	47 3/4"	20 1/2"

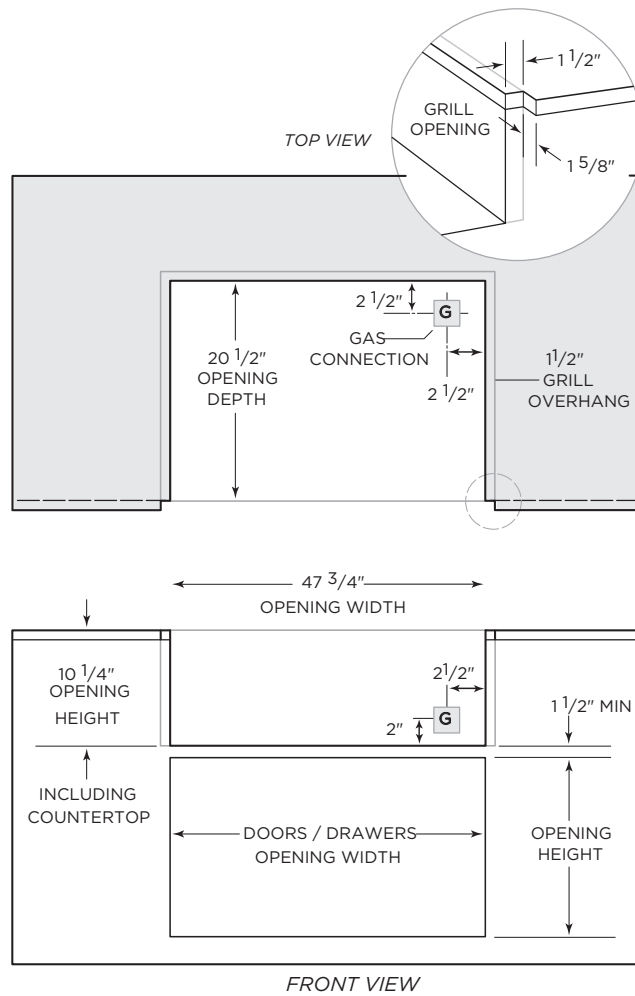
Model No.	Gas Supply	BTU's	Regulator	WC Pressure	Max PSI	Electrical Requirements
C3CO50LP	Propane	40,000	20 lb Tank Regulator	11"	.5 PSI	N/A
C3CO50NG	Natural Gas	40,000	1/2" Female Pipe	4"	.5 PSI	N/A

Important Note to Installer: This file is not intended to replace your Owners' Manual which contains specific safety requirements and consumer guidelines. Please refer to your Owners' Manual prior to installing or operating your built-in grill.



C3CO50 INSTALL GUIDE

NON-COMBUSTIBLE - CUTOUT DIMENSIONS Insulated Jacket NOT Required



Clearance to Combustibles

- ✓ Combustible material can not be within 24" of the grills frame
- ✓ This applies to all directions - horizontal & vertical
- ✓ Shaded area above on "TOP VIEW" illustrates the 24" minimum requirement (not to scale for rendering purposes)
- ✓ The grill is designed to hang from the counter top with no support underneath
- ✓ Minimum rear clearance for the hood to open is 2"
- ✓ If you have a wall/partition behind the grill, the minimum rear clearance to that wall should be at least 7" to allow for ventilation of the exhaust
- ✓ Extra care should be taken when planning your living space, as charcoal embers can escape the grill and move with the wind

Ventilation Requirements:

- ✓ You must include at least two vents within the island.
- ✓ These vents must be at least 20 sq. in. each and allow fresh air to move from the grill cabinet to the exterior environment.
- ✓ For a propane setup, the vents should be installed lower as propane is heavier than air.
- ✓ For a natural gas setup, the vents should be located higher in the island, as natural gas is lighter than air.
- ✓ Do not locate the two vents on the same wall of the island. Cross ventilation is key to allow any excess heat or trapped gas to dissipate.

Important Note to Installer: This file is not intended to replace your Owners' Manual which contains specific safety requirements and consumer guidelines. Please refer to your Owners' Manual prior to installing or operating your built-in grill.

