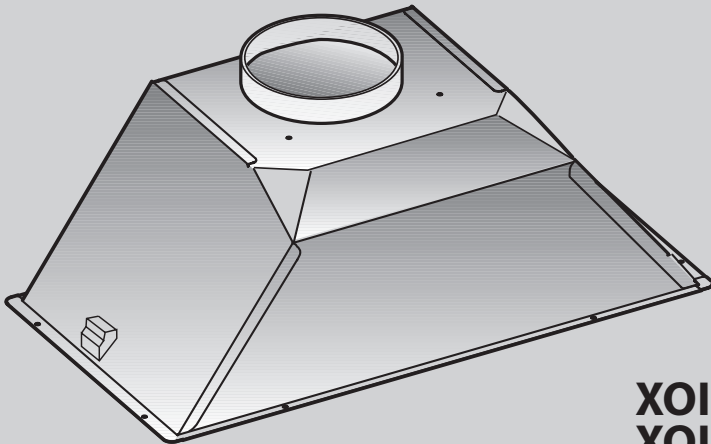


XO



XOI21SMUA
XOI27SMUA

NEED HELP?

Call our ventilation experts toll free al 800-966-8300

AVEZ-VOUS BESOIN D'AIDE ?

Contactez nos experts au numéro gratuit 800-966-8300

¿NECESITA AYUDA?

Póngase en contacto con nuestros expertos a través del número gratis 800-966-8300

USA RANGE HOOD - User instructions

F HOTTE DE CUISINE - Notice d'utilisation

E CAMPANA EXTRACTORA - Manual de utilización

XO Hood Warranty Proof of original purchase date and invoice is needed to obtain service under warranty.

What is covered Limited 2 Year Warranty.

For 2 years from the original date of purchase, we will provide, free of charge, parts and service labor in your home to repair or replace any part of the hood that fails because of a manufacturing defect.

The warranty is extended to the original purchaser for products purchased for ordinary home use in North America.

Should you require service for your XO product call a product service specialist at **800.966.8300**

What is not covered Improper Installation.
Service trips to the home to teach you how to use the product.
Resetting circuit breakers.
Damage caused after delivery.

EXPECT MORE FROM XO

**When buying any XO appliance
you can be confident
you have purchased a high quality,
innovative, and stylish product,
from a company who cares about you**



■ IMPORTANT SAFETY INSTRUCTIONS

■ FOR RESIDENTIAL USE ONLY

■ READ AND SAVE THESE INSTRUCTIONS

■ PLEASE READ ENTIRE INSTRUCTIONS BEFORE PROCEEDING.

■ **IMPORTANT:** Save these Instructions for the Local Electrical Inspectors use.

■ **INSTALLER:** Please leave these Instructions with this unit for the owner.

■ **OWNER:** Please retain these instructions for future reference.

■ Take care when using cleaning agents or detergents.

■ Suitable for use in household cooking area.

■ **WARNING** - To reduce the risk of fire or electric shock, do not use this fan with any Solid-State Speed Control Device.

■ **CAUTION** - To reduce risk of fire and to properly exhaust air, be sure to duct air outside – Do not vent exhaust air into spaces within walls or ceilings or into attics, crawl spaces, or garages.

■ **CAUTION** - For general ventilating use only. Do not use to exhaust hazardous or explosive materials and vapors.

■ **CAUTION** - To avoid motor bearing damage and noisy and/or unbalanced impellers, keep drywall spray, construction dust, etc. off power unit.

■ **CAUTION** - Please read specification label on product for further information and requirements.

■ **WARNING** – TO REDUCE THE RISK OF FIRE, ELECTRIC SHOCK, OR INJURY TO PERSONS, OBSERVE THE FOLLOWING:

A. Use this unit only in the manner intended by the manufacturer. If you have questions, contact the manufacturer.

B. Before servicing or cleaning unit, switch power off at service panel and lock the service disconnecting means to prevent power from being switched on accidentally. When the service disconnecting means cannot be locked, securely fasten a prominent warning device, such as a tag, to the service panel.

■ **WARNING - TO REDUCE THE RISK OF A RANGE TOP GREASE FIRE:**

A. Never leave surface units unattended at high settings. Boilovers cause smoking and greasy spillovers that may ignite. Heat oils slowly on low or medium settings.

B. Always turn hood ON when cooking at high heat or when flambeing foods (i.e.

Crepes Suzette, Cherries Jubilee, Peppercorn Beef Flambè).

- C. Clean ventilating fans frequently. Grease should not be allowed to accumulate on fan or filter.
- D. Use proper pan size. Always use cookware appropriate for the size of the surface element.
- E. Keep fan, filters and grease laden surface clean.
- F. Use high range setting on range only when necessary. Heat oil slowly on low to medium setting.
- G. Don't leave range unattended when cooking.
- H. Always use cookware and utensils appropriate for the type and amount of food being prepared.

■ **WARNING** – TO REDUCE THE RISK OF INJURY TO PERSONS IN THE EVENT OF A RANGE TOP GREASE FIRE, OBSERVE THE FOLLOWING^a:

- A. SMOTHER FLAMES with a close-fitting lid, cookie sheet, or metal tray, then turn off the burner. BE CAREFUL TO PREVENT BURNS. If the flames do not go out immediately, EVACUATE AND CALL THE FIRE DEPARTMENT.
- B. NEVER PICK UP A FLAMING PAN – You may be burned.
- C. DO NOT USE WATER, including wet dishcloths or towels – a violent steam explosion will result.
- D. Use an extinguisher ONLY if:
 - 1. You know you have a Class ABC extinguisher, and you already know how to operate it.
 - 2. The fire is small and contained in the area where it started.
 - 3. The fire department is being called.
 - 4. You can fight the fire with your back to an exit.

^aBased on “kitchen firesafety tips” published by NFPA

Proper maintenance of the Range Hood will assure proper performance of the unit.

■ **INSTALLATION INSTRUCTIONS**

WARNING – TO REDUCE THE RISK OF FIRE, ELECTRIC SHOCK, OR INJURY TO PERSONS, OBSERVE THE FOLLOWING:

- A. Installation work and electrical wiring must be done by qualified person(s) in accordance with all applicable codes and standards, including fire-rated construction.
- B. Sufficient air is needed for proper combustion and exhausting of gases through the flue (chimney) of fuel burning equipment to prevent back drafting. Follow the heating equipment manufacturer's guideline and safety standards such as those published by the National Fire Protection Association (NFPA), and the American Society for Heating, Refrigeration and Air Conditioning Engineers (ASHRAE), and the local code authorities.
- C. When cutting or drilling into wall or ceiling, do not damage electrical wiring and other hidden utilities.
- D. Ducted fans must always be vented to the outdoors.

- E. This unit must be grounded.
- **WARNING** - TO REDUCE THE RISK OF FIRE, USE ONLY METAL DUCTWORK.
- **WARNING** - UNDER CERTAIN CIRCUMSTANCES DOMESTIC APPLIANCES MAY BE DANGEROUS.
- A. Do not check filters with hood working.
- B. Do not touch the lamps after a prolonged use of the appliance.
- C. No food must be cooked flambè underneath the hood.
- D. The use of an unprotected flame is dangerous for the filters and could cause fires.
- E. Watch constantly the fried food in order to avoid the cooking oil flares up.
- F. Before performing any maintenance operation, disconnect the hood from the electrical service.
- The manufacturers will not to accept any responsibility for eventual damages, because of failure to observe the above instructions.

DUCT FITTINGS:

This Hood Must Use an 6" Round Duct. It Can Transition to 3-1/4" x 10" or 3-1/4" x 12" Duct.

Use this chart to compute maximum permissible lengths for duct runs to outdoors.

NOTE: *Do not exceed maximum permissible equivalent lengths!*


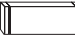


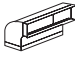
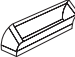






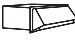

Maximum duct length: 100 feet for range hoods.

Flexible ducting:

If flexible metal ducting is used, all the equivalent feet values in the table should be doubled. The flexible metal duct should be straight and smooth and extended as much as possible.

DO NOT use flexible plastic ducting.

NOTE: *Any home ventilation system, such as a ventilation hood, may interrupt the proper flow of combustion air and exhaust required by fireplaces, gas furnaces, gas water heaters and other naturally vented systems. To minimize the chance of interruption of such naturally vented systems, follow the heating equipment manufacturer's guidelines and safety standards such as those published by NFPA.*

Duct Piece:	Dimensions:	Equivalent Number Length*:	Quantity Used:	Total Equivalent Length:
	Round, straight	1 ft. (per foot length)		
	3-1/4" x 10" straight	1 ft. (per foot length)		
	90° elbow	12 ft.		
	45° elbow	7 ft.		
	3-1/4" x 10" 3-1/4" x 12" 90° elbow	14 ft. 10 ft.		
	3-1/4" x 10" 3-1/4" x 12" 45° elbow	8 ft. 6 ft.		
	3-1/4" x 10" 3-1/4" x 12" 90° elbow	33 ft. 24 ft.		
	6" round to rectangular	2 ft.		
	Rectangular to 8" round	2 ft.		
	3-1/4" x 10" 3-1/4" x 12" 6" round to rectangular transition 90° elbow	4 ft. 4 ft.		
	3-1/4" x 10" 3-1/4" x 12" Rectangular to 6" transition 90° elbow	4 ft. 4 ft.		
	Round wall cap with damper	24 ft.		
	3-1/4" x 10" 3-1/4" x 12" Rectangular wall cap with damper	24 ft. 18 ft.		
	Round roof cap	33 ft.		
*Actual length of straight duct plus duct fitting equivalent. Equivalent length of duct pieces reflect requirements for good venting performance with any ventilation hood.			Total Duct Run =	

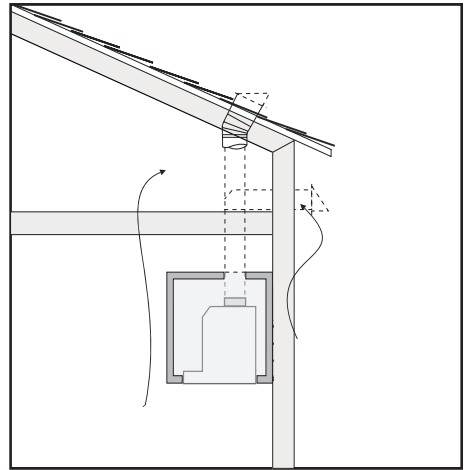
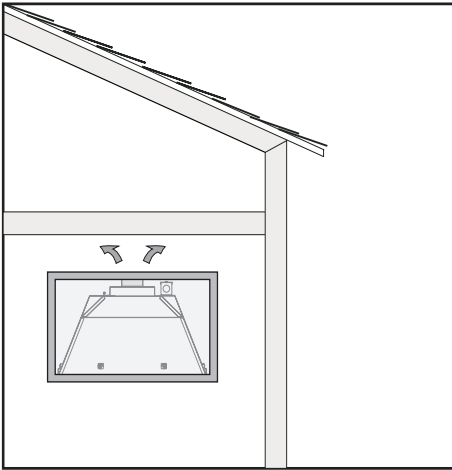
■ WARNING FIRE HAZARD

NEVER exhaust air or terminate duct work into spaces between walls, crawl spaces, ceiling, attics or garages.

All exhaust must be ducted to the outside, unless using the recirculating option.

Use single wall rigid Metal ductwork only.

Fasten all connections with sheet metal screws and tape all joints w/ certified Silver Tape or Duct Tape.



INSTALL THE DUCTWORK:

NOTE: To reduce the risk of fire, use only metal ductwork.

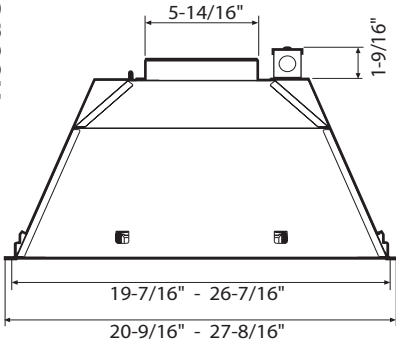
1. Decide where the ductwork will run between the hood and the outside.
2. A straight, short duct run will allow the hood to perform most efficiently.
3. Long duct runs, elbows, and transitions will reduce the performance of the hood. Use as few of them as possible.
4. Install a roof or wall cap. Connect 6" round metal ductwork to cap and work back towards hood location. Use duct tape to seal the joints between ductwork sections.

Hood Specifications

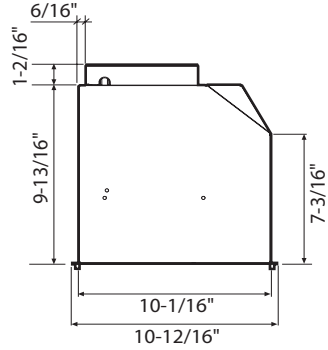
PRODUCT DIMENSIONS AND CLEARANCE

XOI21SMUA - XOI27SMUA:

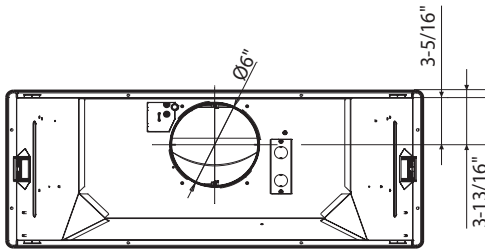
› Front of hood



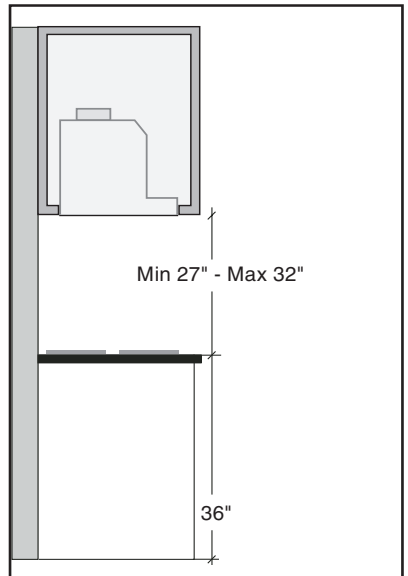
› Side of hood



› Top of hood



› Mounting height and clearance:



INSTALLATION INSTRUCTIONS

INSTALLATION - VENTED TO THE OUTSIDE

1. FIXING THE HOOD TO THE LOWER PART OF THE WALL CABINET:

This type of appliance must be fitted inside a cabinet or inside another type of support structure. The overall measurements of the range hood are given in **figure 1-2**. Before proceeding with range hood installation, remove grille **D** by pressing the two side buttons **A**, as shown in **figure 3**.

Fix the appliance in place using 8 screws (not supplied) which are suited to the type of cabinet. To install the range hood correctly, first fit the 4 screws **A** and then the 4 screws **B**, in accordance with the diagram in **figure 4**. After fixing the range hood to the lower part of the cabinet, place grille **D** (**Fig.4**) back in the correct position. During this procedure, make sure that grille **D** is fastened properly.

The appliance expels the fumes through an outside wall or a duct. It is necessary to buy a telescopic pipe in accordance with the standards in use (inflammable) and connect it to flange **H** (**Fig.5**).

IMPORTANT - The range hood must be secured to wall studs or use drywall anchors capable of supporting 75 lbs.

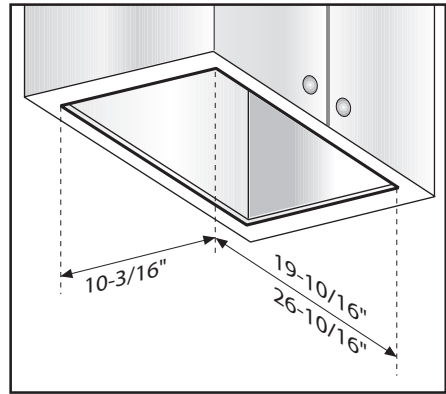


Fig.1

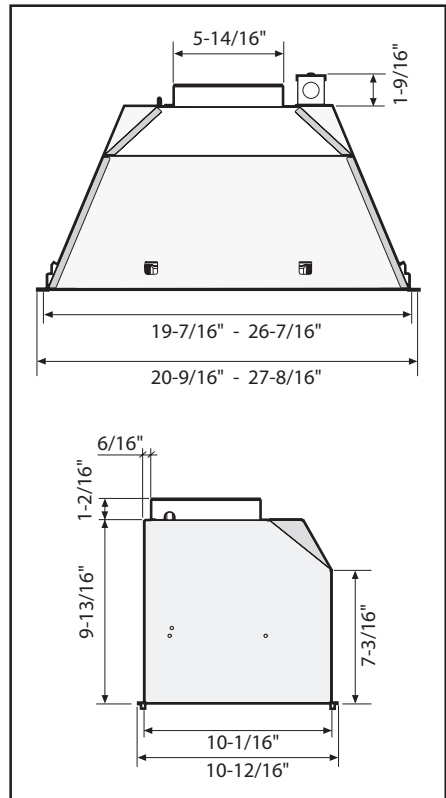


Fig.2

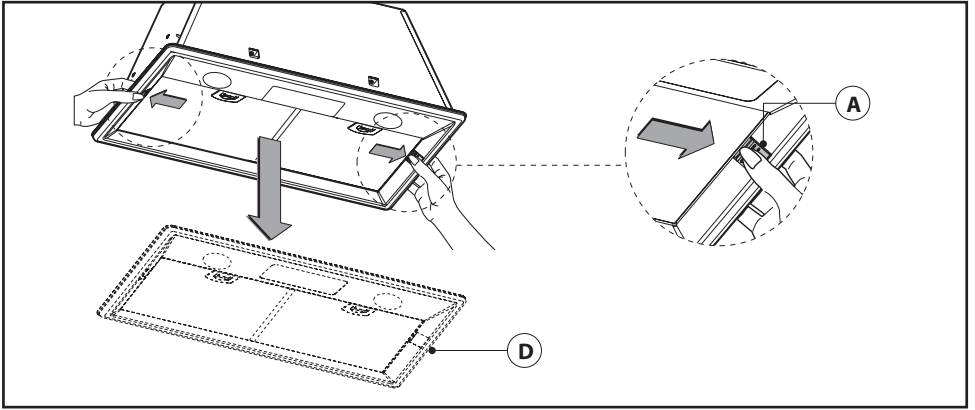


Fig.3

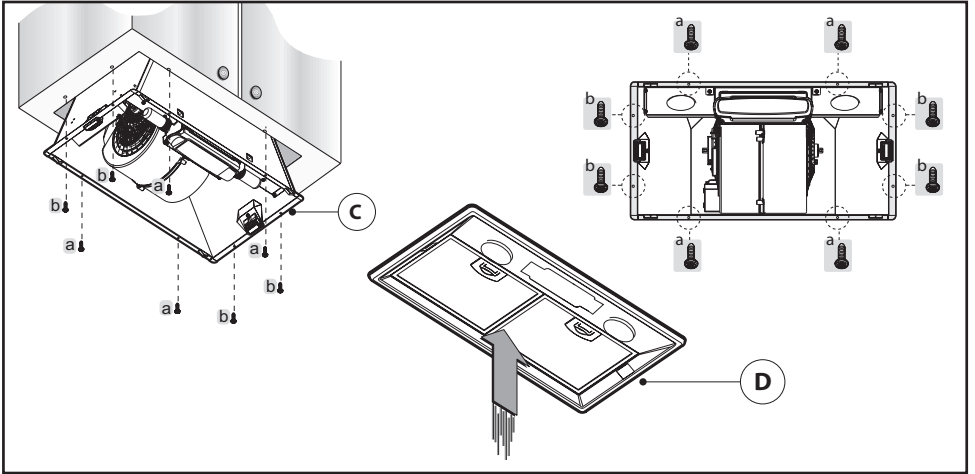


Fig.4

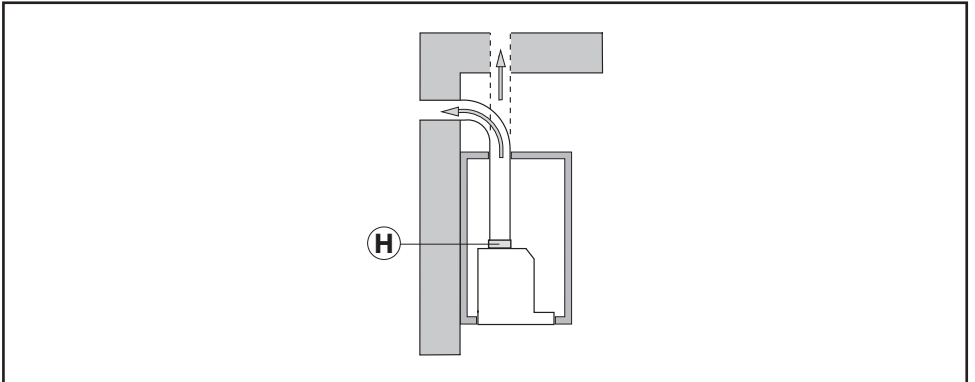


Fig.5

POWER SUPPLY:

IMPORTANT – (Please read carefully)

WARNING:


FOR PERSONAL SAFETY, THIS APPLIANCE MUST BE PROPERLY GROUNDED.

Remove house fuse or open circuit breaker before beginning installation. Do not use an extension cord or adapter plug with this appliance. Follow National electrical codes or prevailing local codes and ordinances.

Electrical supply:

These vent hoods must be supplied with 120V, 60Hz, and connected to an individual, properly grounded branch circuit, and protected by a 15 or 20 amp circuit breaker or time delay fuse.

- Wiring must be 2 wire with ground.
- If the electrical supply does not meet the above requirements, call a licensed electrician before proceeding.
- Route house wiring as close to the installation location as possible, in the ceiling or back wall. Refer to Wiring Locations on page 12.
- Connect the hood wiring to the house wiring in accordance with local codes.

 **WARNING:** The improper connection of the equipment-grounding conductor can result in a risk of electric shock. Check with a qualified electrician or service representative if you are in doubt whether the appliance is properly grounded.

2. CONNECT ELECTRICAL:

• Power Supply Connection:

For connection to the power supply refer to the follows **Fig.6**:

BLACK = **L** line

WHITE = **N** neutral

GREEN/YELLOW = **G** ground

- A double-pole switch properly rated must be installed to provide the range hood power supply disconnection.

- Connect the electrical conduit to the Field Wiring Compartment using listed conduit fittings.

- Carry out the power supply connection in accordance with the national electric code, ANSI/NFPA 70-1999.

5. Insert the wires into the box, then close the box cover, securing it using the screws that were previously removed.

The appliance should be installed at a minimum height of 27" up to a maximum height of 32" for optimal performance. If a connection ductwork composed of two parts is used, the upper part must be placed outside the lower part. Do not connect the range hood exhaust duct air to the same duct air used to exhaust hot air or fumes from other appliances other than electrical.

• In the **FILTERING** version it is necessary to apply a metal air exhaust tube **M** (**Fig.7**), with a minimum length of 15", connected to the flange of the collector. It must be positioned vertically and fastened to a specific opening made on the top part of the cabinet.

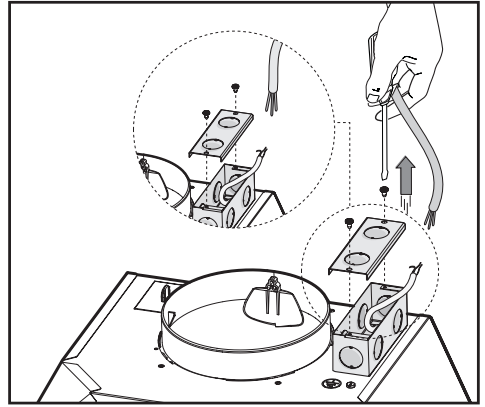


Fig.6

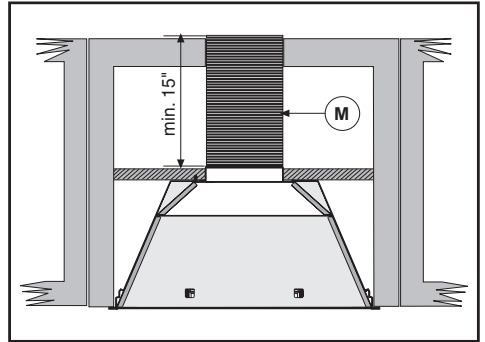
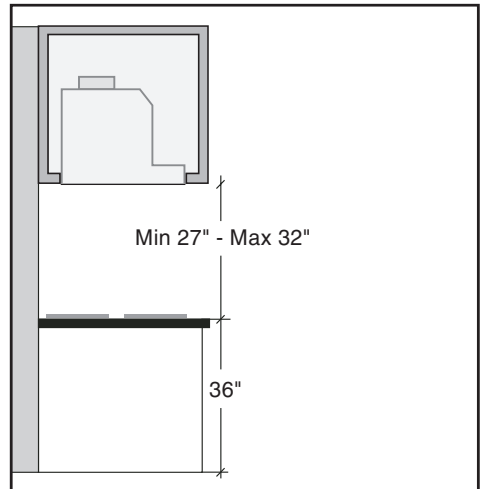
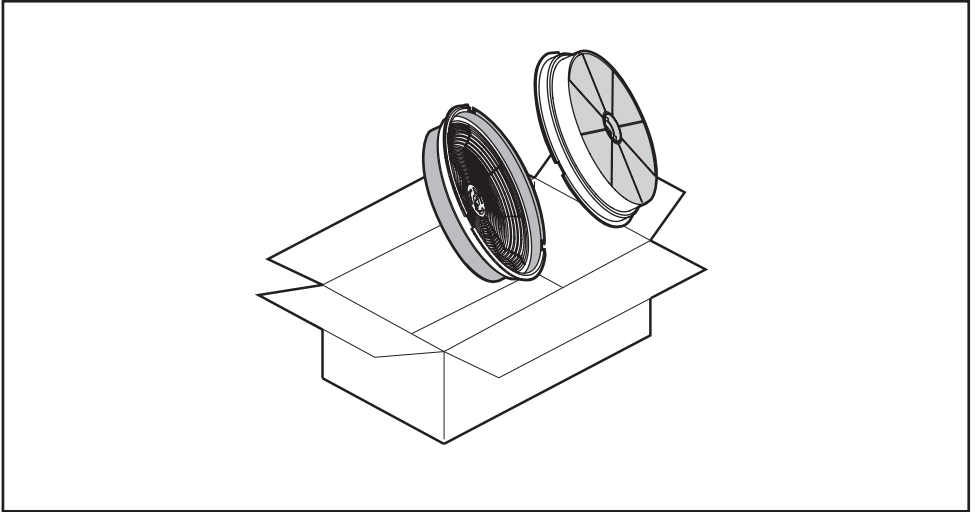


Fig.7

3. CONNECT THE DUCTWORK:



DUCTLESS RECIRCULATING OPTION:



Model XORFRND carbon filter kit

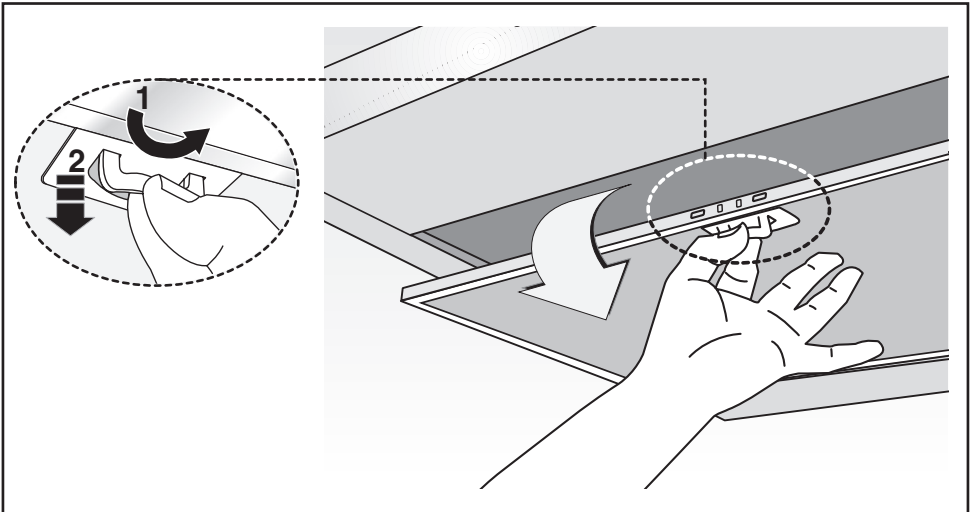


Fig.1: Remove the aluminum panels by pulling the lever 1 out and pushing downwards 2.

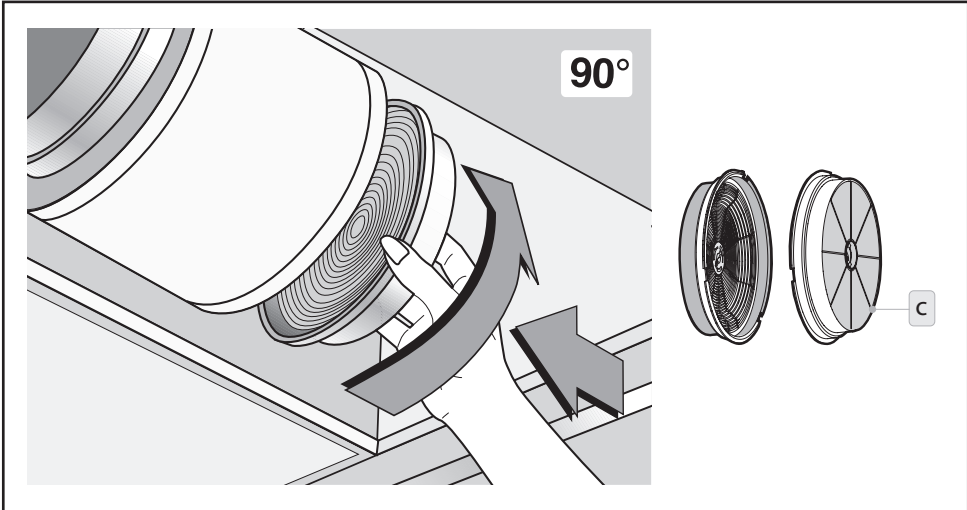


Fig.2: The filters **C** must be applied to the suction unit inside the hood, centering them inside of it and turning them 90° until they snap into place.

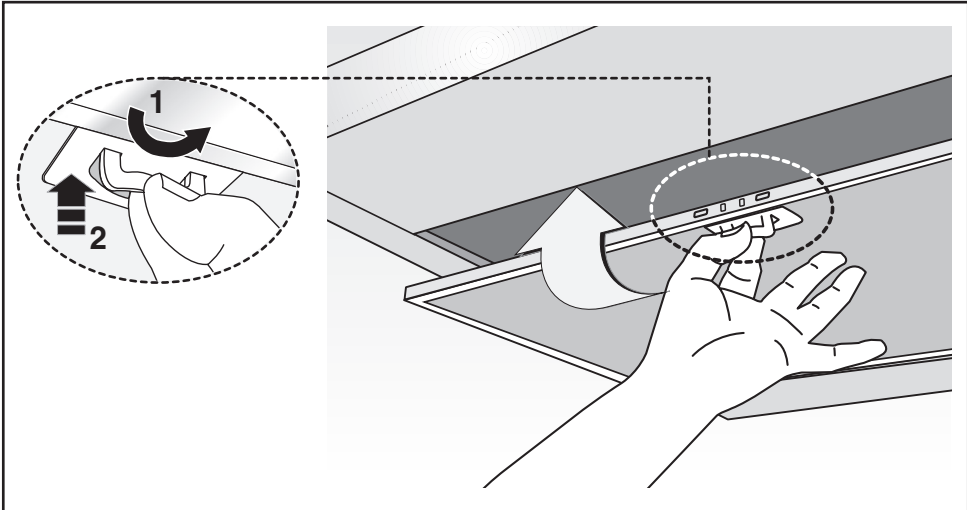
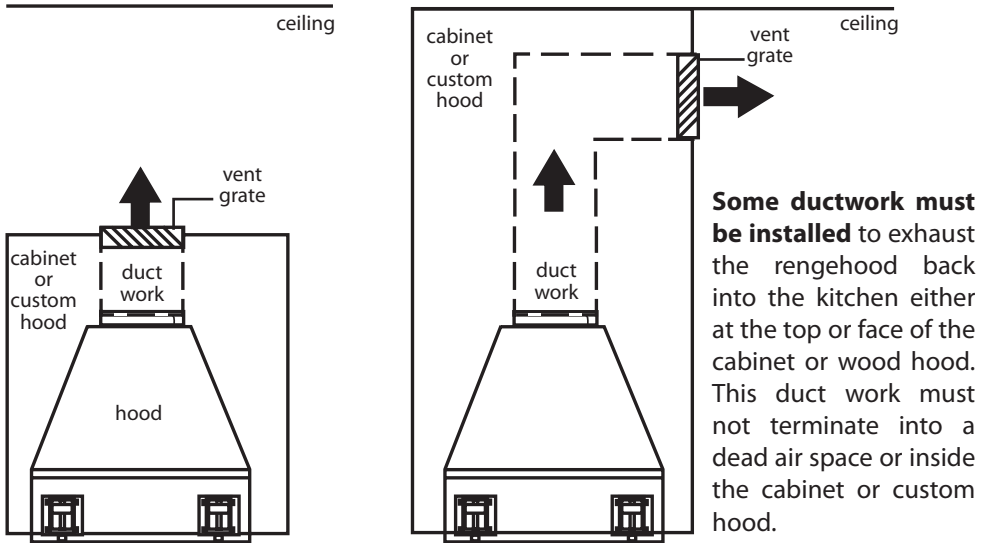


Fig.3: Put the aluminum panels back in place (**Fig.1**).

Recirculating Installations

IT IS HIGHLY RECOMMENDED THAT PROFESSIONAL STYLE COOKING ALWAYS BE VENTED TO THE OUTSIDE. For installations where ductwork is impossible or highly impractical **Charcoal Filters**, which attach to the blower assembly, absorb smoke and odors.



Vent grate not included

6" round or 3 1/4" x 10" rectangular recommended for best performance

■ USE

• If the apparatus is equipped with the following controls:

A = LIGHT

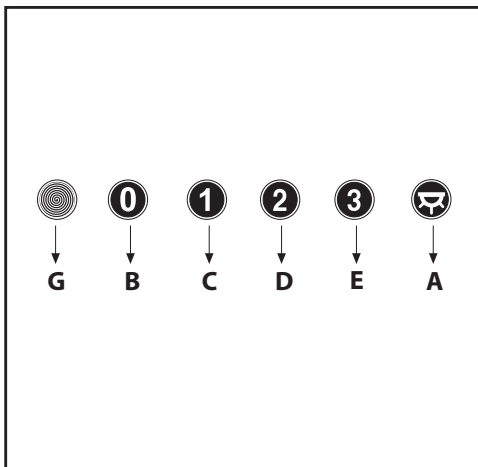
B = OFF

C = SPEED I

D = SPEED II

E = SPEED III

G = MOTOR WORKING indicator.



■ MAINTENANCE

- We recommend that the range hood is switched on before any food is cooked. We also recommend that the appliance is left running for 15 minutes after the food is cooked, in order to thoroughly eliminate all contaminated air.

The effective performance of the range hood depends on constant maintenance; the anti-grease filter and the active carbon filter both require special attention.

- **The anti-grease filter** is used to trap any grease particles suspended in the air, therefore is subject to saturation (the time it takes for the filter to become saturated depends on the way in which the appliance is used). The grease filters should be cleaned frequently. Use a warm detergent solution. Grease filters are a dishwasher safe.

- To prevent potential fire hazards, the anti-grease filters should be washed a minimum of every 2 months (it is possible to use the dishwasher for this task).

- After a few washes, the colour of the filters may change. This does not mean they have to be replaced.

If the replacement and washing instructions are not followed, the anti-grease filters may present a fire hazard.

- **The active carbon filters** are used to purify the air which is released back into the room. The filters are not washable or re-usable and must be replaced at least once every four months. The active carbon filter saturation level depends on the frequency with which the appliance is used, the type of cooking performed and the regularity with which the anti-grease filters are cleaned.

- Clean the range hood frequently, both inside and outside, using a cloth which has been dampened with denatured alcohol or neutral, **non**-abrasive liquid detergents.

- The light on the range hood is designed for use during cooking and not for general room illumination. Extended use of the light reduces the average duration of the bulb.

- **Hood Cleaning:**

Stainless steel is one of the easiest materials to keep clean. Occasional care will help preserve its fine appearance.

Cleaning tips:

- Hot water with soap or detergent is all that is usually needed.

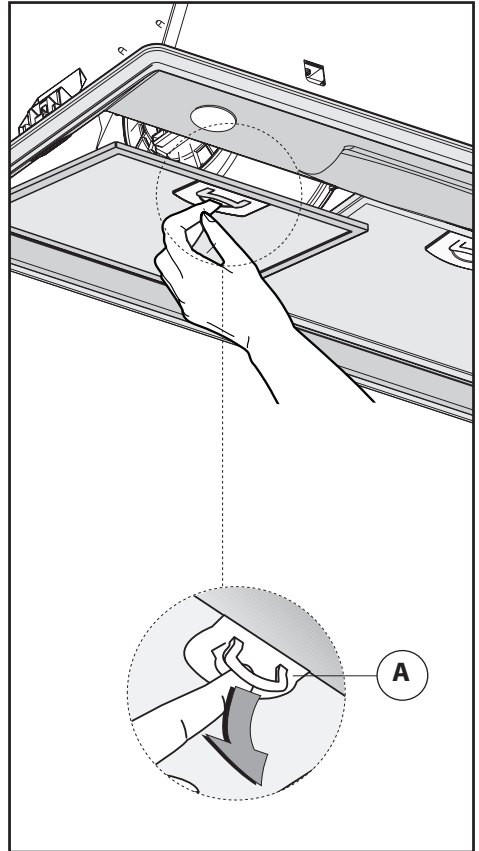


Fig.8

- Follow all cleaning by rinsing with clear water. Wipe dry with a clean, soft cloth to avoid water marks.
- For discolorations or deposit that persist, use a non-scratching household cleanser or stainless steel polishing powder with a little water and a soft cloth.
- For stubborn cases, use a plastic scouring pad or soft bristle brush together with cleanser and water. Rub lightly in direction of polishing lines or “grain” of the stainless finish. Avoid using too much pressure which may mar the surface.
- **DO NOT** allow deposit to remain for long periods of time.
- **DO NOT** use ordinary steel wool or steel brushes. Small bits of steel may adhere to the surface causing rust.
- **DO NOT** allow salt solutions, disinfectants, bleaches, or cleaning compounds to remain in contact with stainless steel for extended periods. Many of these compounds contain chemicals which may be harmful. Rinse with water after exposure and wipe dry with a clean cloth.

Painted surfaces should be cleaned with warm water and mild detergent only.

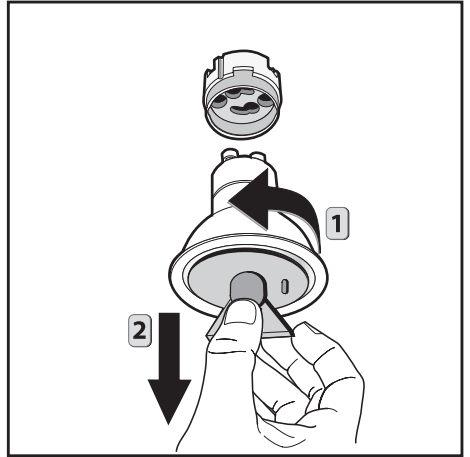
- **Replacing the aluminum panels:**

To replace the aluminium panels, simply pull handle **A** as shown in **Fig.8**.

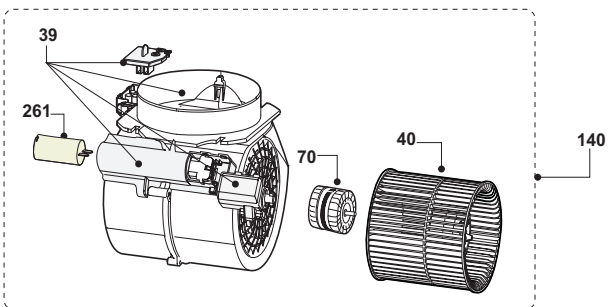
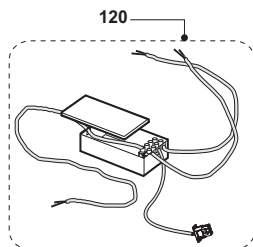
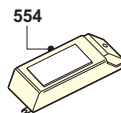
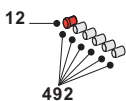
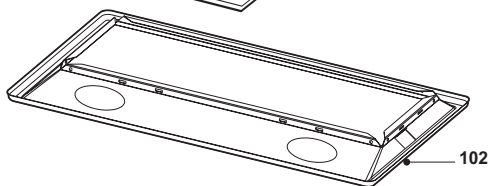
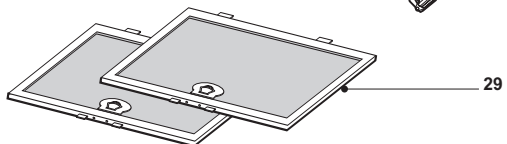
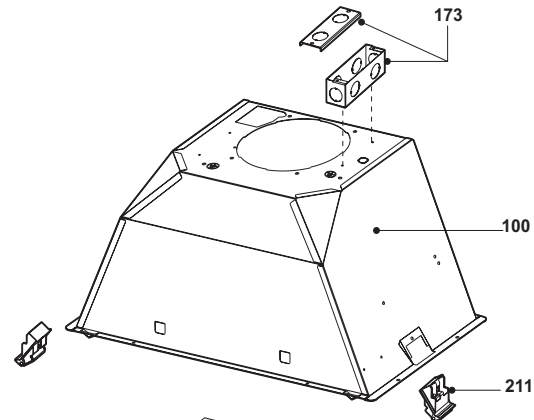
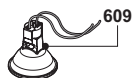
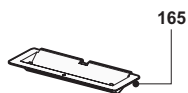
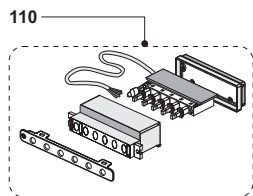
• **Replacing halogen light bulbs:**

To replace the dichroic lamps, rotate the lamp anticlockwise by means of a suction cup as shown in figure.

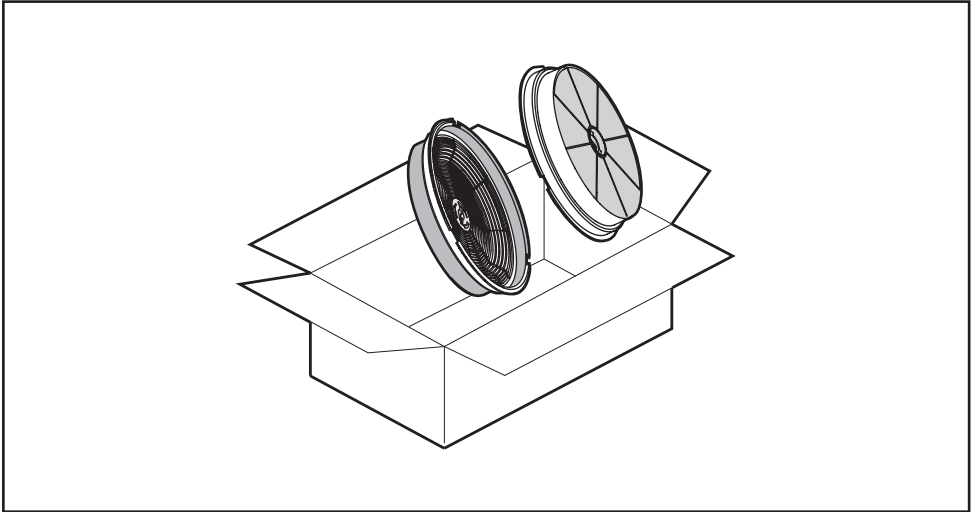
Replace the bulbs with new ones of the same type.



XOI21SMUA - XOI27SMUA:



OPTIONS AND ACCESSORIES:

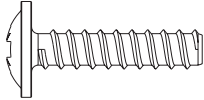


Model XORFRND carbon filter kit

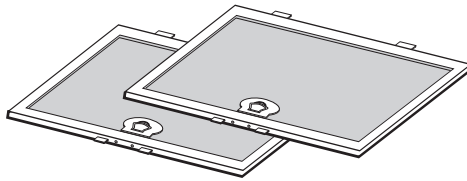
INSTALLATION PREPARATION:

Check installation hardware:

Locate the hardware package packed with the hood and check contents.

TYPE		DESCRIPTION	N°
A		1/8" x 1/2"	8

Aluminum filter



XOI Spec Sheet

Model: XO121SMUA - XO127SMUA

Sizes: 20-13/16" **Depth:** 11"

Sizes: 27-3/4" **Depth:** 11"

Features and Benefits:

- 395 CFM high velocity blower optimally removes Smoke, Grease and Odors.
- 3 speed push button controls.
- Two 50W Halogen Lights - Provide brilliant illumination over the cooking surface.
- Aluminum Mesh Filters - Trap airborne smoke and grease particles. They can be easily be removed for dishwasher-safe cleaning.
- **Unit Dimensions:** 20-13/16" W x 11" D x 10" T
Cut Out Dims: 19-7/16" W x 10-1/16" D.
- **Unit Dimensions:** 27-3/4" W x 11" D x 10" T
Cut Out Dims: 26-7/16" W x 10-1/16" D.
- Mounting Height from cooking surface 27"-32".

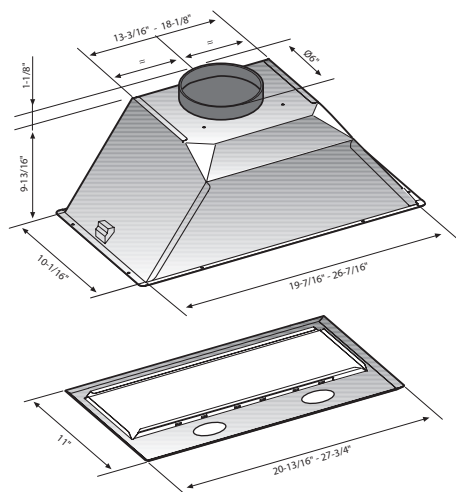
Duct Options and Electrical Requirements:

- 6 inch duct required.
- Ductless Option for applications where no ducting in available.
- AC 120v-60Hz (3.5 amp).

Options:

- Optional recirculating kit if outside venting is unavailable.

Model: XORFRND



XO
www.xoappliance.com

XO is Exclusively Distributed by:
Eastern Marketing Corp 24 Eisenhower Parkway Roseland,
New Jersey 07068 800-966-8300
www.easternmarketing.com

DESIGNED & CRAFTED IN
ITALY

Garantie hotte XO Pour demander une intervention en garantie, la facture d'achat est nécessaire.

Que couvre-t-elle ? Garantie de deux ans.

La garantie couvre la réparation et le remplacement gratuitement à votre domicile de pièces de la hotte avec des défauts dérivant d'une erreur de fabrication, pour une période de deux ans à compter de la date d'achat.

La garantie couvre les achats effectués pour un usage domestique en Amérique du Nord.

Si vous avez besoin d'assistance pour votre produit XO, téléphonez au numéro **800.966.8300**

Que ne couvre-t-elle pas ? Installation incorrecte.
Visites à votre domicile pour vous conseiller sur comment utiliser le produit.
Réinitialisation des interrupteurs.
Dommages causés après la livraison.

VOUS DEVEZ VOUS ATTENDRE QUELQUE CHOSE DE PLUS D'UN XO

**En achetant un produit XO
vous pouvez être certain
d'avoir acheté un produit de grande qualité,
innovant et agréable à regarder
d'une entreprise qui reste à vos côtés.**



- **INSTRUCTIONS DE SECURITE IMPORTANTES**
- **POUR UN USAGE DOMESTIQUE EXCLUSIVEMENT**
- **LIRE ET CONSERVER LES INSTRUCTIONS**
- **COMMENCER PAR LIRE ENTIEREMENT LES INSTRUCTIONS.**
- **IMPORTANT:** Conserver les Instructions à usage des Inspecteurs Electriques Locaux.
- **A L'ATTENTION DE L'INSTALLATEUR:** Laisser les Instructions dans l'unité à usage du propriétaire.
- **A L'ATTENTION DU PROPRIETAIRE:** Conserver les Instructions pour des consultations ultérieures.
- N'utiliser des produits de nettoyage ou des détergents qu'avec la plus grande prudence.
- Cet appareil est propre à une utilisation domestique et culinaire.
- **AVERTISSEMENT** – Afin de réduire les risques d'incendie ou d'électrocution, ne pas utiliser le moteur avec un Dispositif de Contrôle de la Vitesse à Semi-conducteurs quel qu'il soit.
- **ATTENTION** – Afin de réduire les risques d'incendie et de permettre une aspiration correcte de l'air, s'assurer que celui-ci est bien transporté à l'extérieur à travers un conduit d'évacuation. – Ne pas évacuer l'air dans des interstices tels qu'entre des cloisons ou des plafonds, dans des greniers, des espaces confinés ou des garages.
- **ATTENTION** – N'utiliser que pour une ventilation générique. Cet appareil n'est pas propre à l'aspiration de matières ou de vapeurs dangereuses ou explosives.
- **ATTENTION** – Afin d'éviter des bruits et des dommages au niveau du moteur, et/ou un déséquilibre au niveau des hélices, veiller à ce que l'unité d'alimentation n'entre pas en contact avec du spray, de la poussière etc.
- **ATTENTION** – Pour obtenir des compléments d'informations, consulter l'étiquette de spécification sur le produit.
- **AVERTISSEMENT** – AFIN DE RÉDUIRE LES RISQUES D'INCENDIE, D'ÉLECTROCUTION OU DE DOMMAGES AUX PERSONNES, RESPECTER LES REGLES SUIVANTES :
 - A. N'utiliser l'unité que pour les opérations prévues par le fabricant. Pour toute question éventuelle, contacter le fabricant.
 - B. Avant d'effectuer des opérations de maintenance ou de nettoyage sur l'unité,

débrancher le panneau de service et fermer à clef les commandes de déconnexion afin d'éviter toute mise sous tension accidentelle.

Au cas où les commandes de déconnexion ne pourraient être fermées à clef, fixer sur le panneau de service un message avertissant du danger, par exemple une plaque.

■ AVERTISSEMENT – AFIN DE RÉDUIRE LES RISQUES D'INCENDIE PAR INFLAMMATION DES GRAISSES PRESENTES SUR LA GAZINIÈRE :

- A.** Ne jamais laisser de casseroles sur feu vif sans surveillance. D'éventuels débordements dus à une forte ébullition peuvent provoquer de la fumée et des dépôts de graisses susceptibles de prendre feu. Réchauffer l'huile lentement, à petit feu ou moyen.
- B.** ALLUMER systématiquement la hotte pour cuisiner à des températures élevées ou pour flamber des aliments (ex. : Crêpes Suzette, Cherries Jubilee – cerises flambées au brandy et glace -, Boeuf flambé au poivre).
- C.** Nettoyer souvent le moteur. Eviter que les graisses ne s'accumulent sur le moteur ou sur le filtre.
- D.** Utiliser des plats aux dimensions adaptées. Toujours utiliser des ustensiles de cuisine adaptés à la taille de la casserole qui se trouve sur la cuisinière.
- E.** Veiller à ce que le moteur, les filtres et la surface où viennent s'accumuler les graisses restent propres.
- F.** N'utiliser une flamme élevée que lorsque cela est nécessaire. Réchauffer l'huile lentement, à faible ou moyenne température.
- G.** Ne jamais laisser la cuisinière sans surveillance pendant la cuisson.
- H.** Utiliser systématiquement des ustensiles de cuisine adaptés au type et à la quantité d'aliments que l'on prépare.

■ AVERTISSEMENT – AFIN DE RÉDUIRE LES RISQUES DE DOMMAGES AUX PERSONNES EN CAS D'INCENDIE PAR INFLAMMATION DES GRAISSES PRESENTES SUR LA CUISINIÈRE, RESPECTER LES REGLES SUIVANTESa:

- A.** ETOUFFER LA FLAMME à l'aide d'un couvercle hermétique, une plaque à four ou un plateau en métal et éteindre le brûleur. PROCEDER AVEC LA PLUS GRANDE PRUDENCE AFIN D'EVITER TOUTE BRULURE. Si les flammes ne s'éteignent pas immédiatement, EVACUER LA PIECE ET APPELER LES POMPIERS.
- B.** NE JAMAIS TOUCHER UN PLAT EN FEU – on risque de se brûler.
- C.** NE PAS UTILISER D'EAU, ni de chiffons ou de serviettes humides – cela pourrait provoquer une violente explosion de vapeur.
- D.** Utiliser un extincteur UNIQUEMENT dans les cas suivants :
 - 1.** On dispose d'un extincteur de Classe ABC que l'on sait faire fonctionner.
 - 2.** L'incendie est peu important et il est confiné à la zone où il a éclaté.
 - 3.** On a déjà appelé les pompiers.
 - 4.** On peut affronter les flammes tout en ayant une issue de secours derrière soi.

aBasé sur les « mesures de sécurité incendie dans la cuisine » publiées par l'organisme NFPA.

Une bonne maintenance de la hotte garantit le parfait fonctionnement de l'unité.

■ INSTRUCTIONS D'INSTALLATION

AVERTISSEMENT – AFIN DE RÉDUIRE LES RISQUES D'INCENDIE, D'ÉLECTROCUTION OU DE DOMMAGES AUX PERSONNES, RESPECTER LES REGLES SUIVANTES :

- A.** Les opérations d'installation et de branchement électrique doivent être effectuées par du personnel qualifié, conformément aux lois et aux normes en vigueur, y compris celles relatives aux appareils à feu.
- B.** Il est nécessaire de disposer d'une quantité d'air suffisante pour une bonne combustion et aspiration des gaz à travers le conduit de fumée de l'installation de combustion du carburant, afin d'éviter un appel d'air de l'arrière. Suivre les indications du fabricant de l'installation de chauffage et les normes de sécurité correspondantes telles que celles émises par l'Association Nationale de Protection contre les Incendies (National Fire Protection Association - NFPA), la Société Américaine des Techniciens de Chauffage, Réfrigération et Climatisation de l'Air (American Society for Heating, Refrigeration and Air Conditioning Engineers - ASHRAE), et par les autorités locales préposées.
- C.** Au cours des opérations de découpage ou de perforation du mur ou du plafond, veiller à ne pas endommager les câbles électriques ou d'autres canalisations cachées.
- D.** L'appareil doit toujours être relié à un trou d'évacuation vers l'extérieur.
- E.** L'unité doit être reliée à la terre.

■ **AVERTISSEMENT** – AFIN DE RÉDUIRE LES RISQUES D'INCENDIE, N'UTILISER QUE DESCONDUITS METALLIQUES

■ **AVERTISSEMENT** – LES APPAREILS ELECTROMENAGERS PEUVENT PARFOIS S'AVERER DANGEREUX.

- A.** Ne pas contrôler les filtres lorsque la hotte est en état de marche.
 - B.** Ne pas toucher les lampes après une utilisation prolongée de l'appareil.
 - C.** Ne jamais faire flamber d'aliments sous la hotte.
 - D.** L'usage de flammes libres est dangereux pour les filtres et peut générer des incendies.
 - E.** Contrôler constamment les fritures pour éviter que des éclaboussures d'huile ne prennent feu.
 - F.** Avant d'effectuer toute opération de maintenance, débrancher la hotte du réseau d'alimentation électrique.
- Le fabricant ne pourra être retenu responsable d'éventuels dommages causés par le non respect des instructions susmentionnées.

RACCORDS DE CANALISATION:

Cette hotte doit utiliser un conduit rond de 20 cm (8 po) raccordan à un tuyau 8 cm x 30 cm (3-1/4" po x 12 po).

Reportez-vous au tableau pour calculer les longueurs maximales autorisées pour les conduits vers l'extérieur.

REMARQUE: Ne dépassez pas les longueurs maximales autorisées!


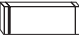


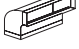







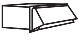

Longueur maximale de conduit: 30 m (100 pi) pour les hottes de cuisine.

Conduit flexible:

En cas d'utilisation de conduits métalliques flexibles, les valeurs en pieds figurant dans le tableau doivent être doublées. Le conduit métallique flexible doit être droit et lisse et étiré au maximum.

N'utilisez PAS de conduit en plastique flexible.

REMARQUE: Tout système de ventilation domestique tel qu'une hotte aspirante, est susceptible d'interrompre le débit d'air et de fumées de combustion requis pour les cheminées, fours à gaz, les chauffe-eau à gaz et autres systèmes naturellement ventilés. Afin de réduire les probabilités d'interruption de ces systèmes naturellement ventilés, nous vous recommandons de suivre les consignes du fabricant de l'équipement de chauffage et les normes de sécurité telles que celles publiées par la NFPA.

Conduit:	Dimensions:	Longueur équivalente*:	Quantité utilisée:	Longueur total équivalente:
	Rond droit	30 cm (1 pied) (par longueur en pied)		
	Droit 8 cm x 30 cm (3-1/4 po x 12 po)	30 cm (1 pied) (par longueur en pied)		
	Coude 90°	5 m (17 pieds)		
	Coude 45°	3 m (10 pieds)		
	Coude 90° 8 cm x 30 cm (3-1/4 po x 12 po)	13 m (43 pieds)		
	Coude 45° 8 cm x 30 cm (3-1/4 po x 12 po)	7,90 m (26 pieds)		
	Coude plat 90° 8 cm x 30 cm (3-1/4 po x 12 po)	32 m (102 pieds)		
	Rond 20 cm (8 po) pour raccord 8 cm x 30 cm (3-1/4 po x 12 po)	60 cm (2 pieds)		
	8 cm x 30 cm (3-1/4 po x 12 po) pour raccord rond 20 cm (8 po)	1,5 m (5 pieds)		
	Rond 20 cm (8 po) pour raccord en coude 90° 8 cm x 30 cm (3-1/4 po x 12 po)	1,8 m (6 pieds)		
	8 cm x 30 cm (3-1/4 po x 12 po) pour raccord rond 20 cm (8 po) en coude 90°	3,96 m (13 pieds)		
	Cache mur rond avec registre	9,7 m (32 pieds)		
	Cache mur 9 cm x 30 cm (3-1/4 po x 12 po) avec registre	22,9 m (75 pieds)		
	Cache rond pour toiture	13 m (44 pieds)		
*Longueur réelle du conduit droit plus le raccord de conduit équivalent. Longueur équivalente des conduits satisfait aux exigences pour de bonnes performances en termes de ventilation de toute hotte aspirante.			Parcours total des conduits =	

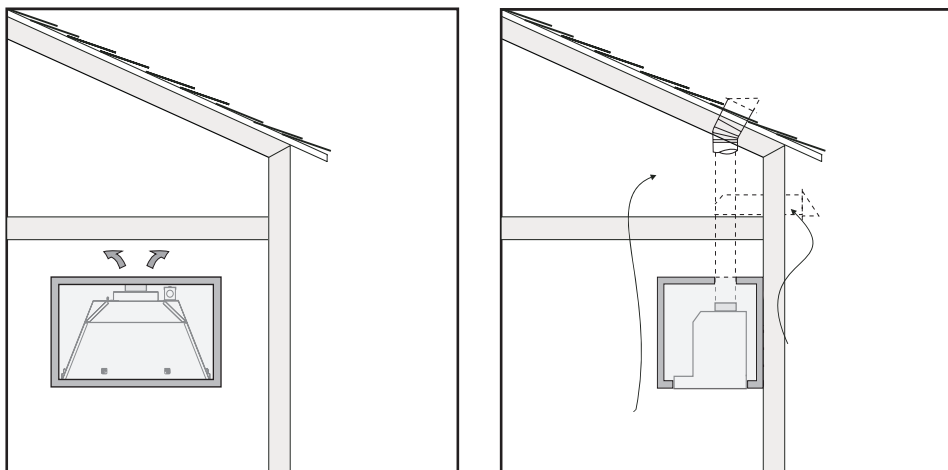
■ AVERTISSEMENT: DANGER D'INCENDIE

N'installez JAMAIS le conduit d'évacuation de l'air dans les interstices des murs, vides sanitaires, attiques ou garages.

L'air doit toujours être évacué à l'extérieur sauf si on opte pour l'option de la recirculation.

Utilisez exclusivement des conduits en métal rigide à simple paroi.

Procédez à toutes les connexions en vous servant des vis auto-taraudeuses et appliquez du ruban adhésif américain certifié sur toutes les jonctions.



INSTALLATION DES TUYAUX:

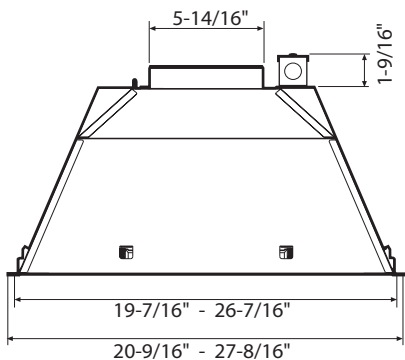
NOTE: pour diminuer le risque d'incendie, utiliser uniquement des tuyaux en métal.

1. Décider la position du tuyau entre la hotte et l'extérieur.
2. Un tuyau court et droit améliore les performances de la hotte.
3. De longs tuyaux, des coudes et des raccords en diminuent les performances. Utiliser ces éléments le moins possible.
4. Installer une cheminée au toit ou au mur. Raccorder un tuyau en métal circulaire à la cheminée et procéder vers la hotte (de haut en bas). Utiliser du ruban isolant pour les tuyaux pour sceller les jonctions entre les différentes sections.

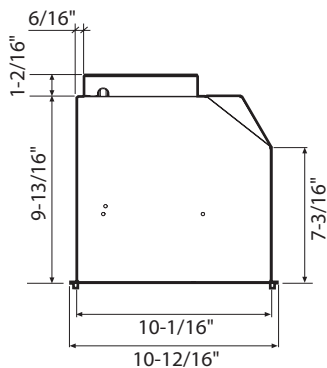
DIMENSIONS DU PRODUIT ET DISTANCES

XOI21SMUA - XOI27SMUA:

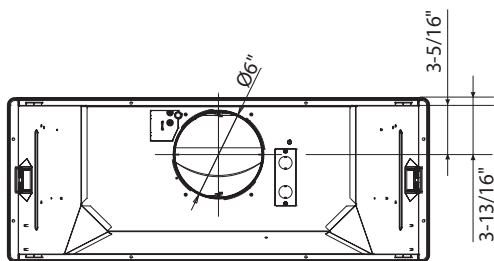
› Partie avant de la hotte



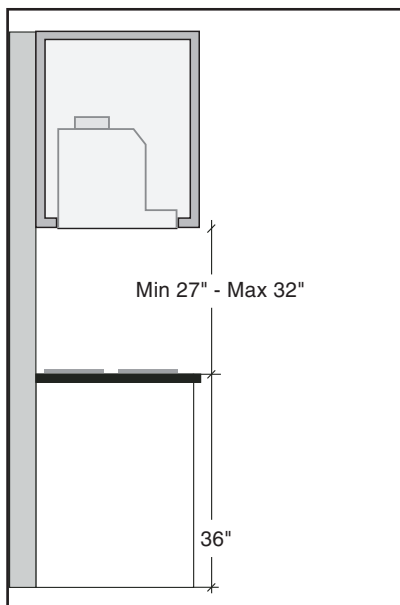
› Partie latérale de la hotte



› Partie supérieure de la hotte



› Hauteur de montage et distances :



INSTRUCTIONS POUR L'INSTALLATION

INSTALLATION AVEC ÉVACUATION VERS L'EXTÉRIEUR

1. FIXATION DE LA HOTTE SOUS UN ÉLÉMENT HAUT:

Ce type d'appareil est à encastrer à l'intérieur d'un élément haut ou d'un tout autre support. Les dimensions d'encombrement de la hotte sont reportées **figure 1-2**. Avant de procéder à la fixation de la hotte, retirer la grille **D** en appuyant sur les deux touches latérales **A** comme illustré **figure 3**.

Pour la fixation, utiliser 8 vis (non fournies) appropriées au type de meuble. Pour une bonne installation de la hotte, fixer d'abord les 4 vis **A** puis les 4 vis **B** en suivant le schéma illustré **figure 4**. Après avoir fixé la hotte dans le bas de l'élément, saisir la grille **D** (**Fig.4**) et la remettre à l'emplacement voulu. Veiller à ce que la grille **D** soit bien accrochée.

Avec ce genre d'installation l'appareil évacue les vapeurs à l'extérieure à travers une paroi périphérique ou une canalisation déjà existente. Il est donc nécessaire de se procurer un tube mural télescopique, du type prévu par les normes en vigueur non inflammable de et reliez-le à la bride **H** (**Fig.5**).

IMPORTANT: la hotte doit être fixée au mur avec des pivots de support filetés ou des chevilles d'une capacité de 75 livres.

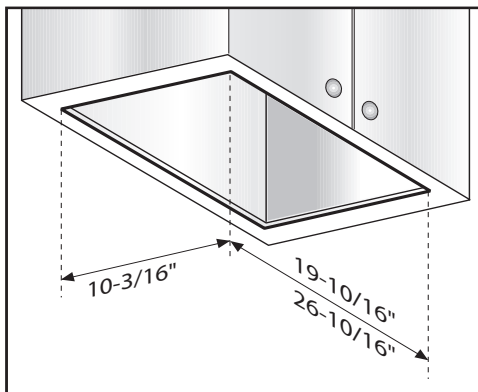


Fig.1

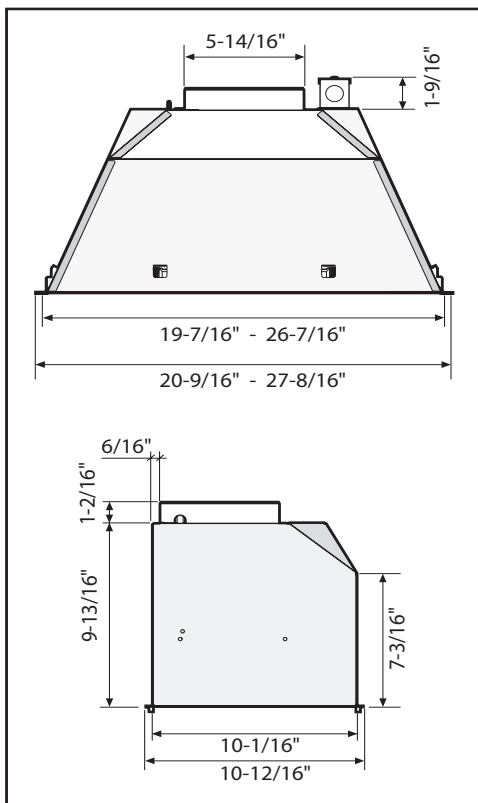


Fig.2

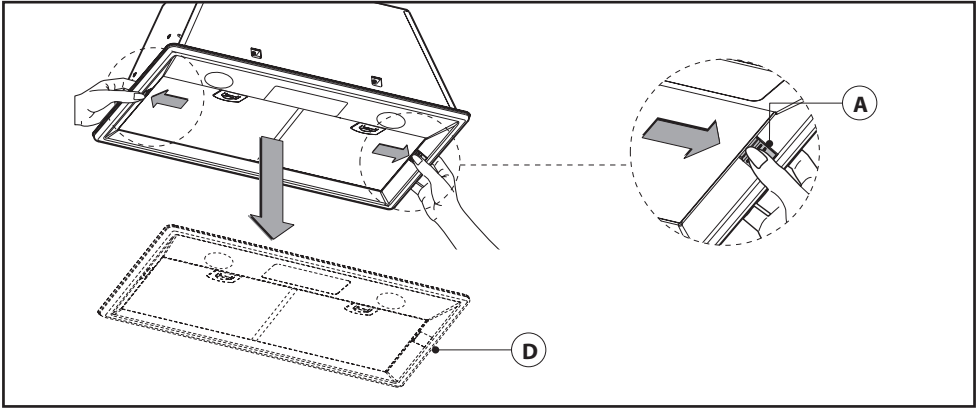


Fig.3

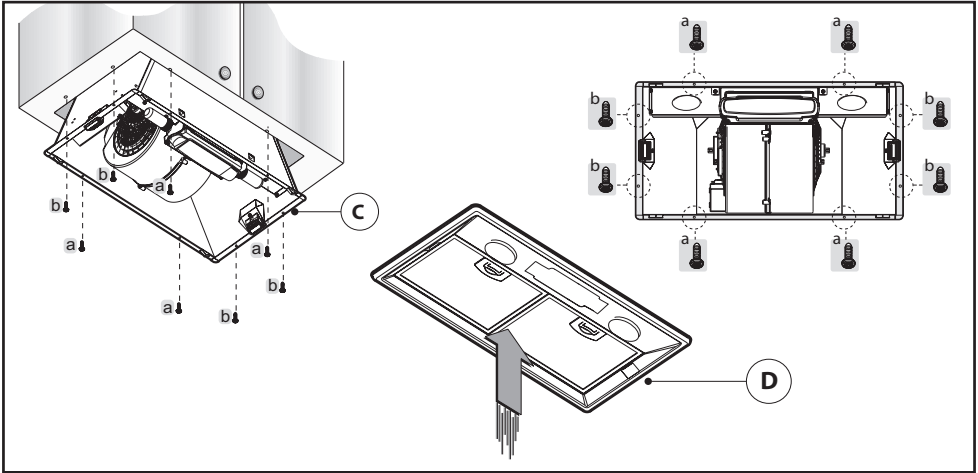


Fig.4

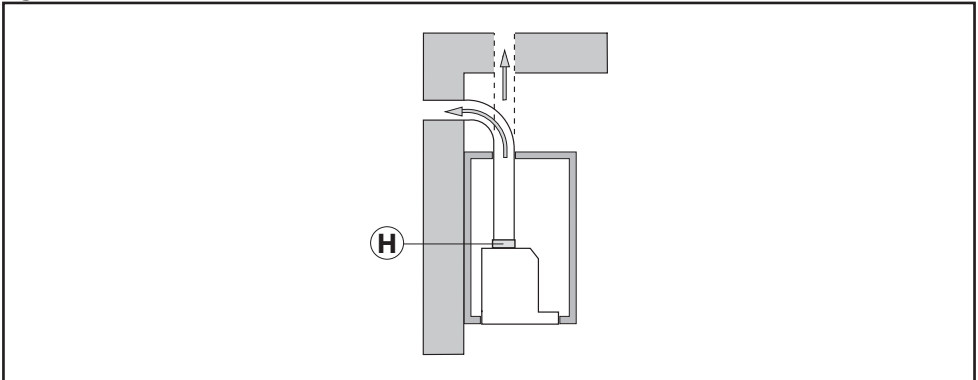


Fig.5

ALIMENTATION:

IMPORTANT (*veuillez lire attentivement*)

MISE EN GARDE:

POUR VOTRE SECURITE, L'APPAREIL DOIT ETRE MIS SUR LE SOL.

Avant de commencer l'installation, éliminer le fusible ou ouvrir l'interrupteur du circuit. Ne pas utiliser de rallonges et de prises d'adaptation avec cet appareil. Veuillez vous en tenir aux codes nationaux sur la sécurité électrique ou aux codes et règlements locaux en matière.


Alimentation électrique:

cette hotte de ventilation doit être alimentée avec du courant 120V, 60 Hz et raccordée à un seul réseau, avec une mise à la terre, protégée par des interrupteurs automatiques à 15 ou 20 ampères ou des fusibles retardés.

- Câble à deux fils avec mise à la terre.
- Si l'alimentation électrique n'est pas conforme aux spécifications susmentionnées, appelez un électricien avant de continuer.
- Poser les câblages domestiques le plus près possible de l'installation, au plafond ou sur le mur de support. Veuillez consulter les positions des câblages à la page 33.
- Raccorder les câblages de la hotte aux câblages domestiques conformément aux codes locaux.

Instructions pour la mise à la terre:

Le conducteur pour la mise à la terre doit être connecté à un système de câblage fixe avec mise à la terre, ou à une borne ou conducteur de terre dans la hotte.

 **MISE EN GARDE:** une mauvaise connexion du conducteur de terre des équipements peut causer des risques de secousse électrique. En cas de doute sur la mise à la terre correcte de la hotte, consulter un électricien ou un préposé à l'assistance.

2. RACCORDEMENT ELECTRIQUE:

• Branchement électrique:

Pour brancher l'appareil au réseau d'alimentation électrique, suivre les indications reportées sur la **figure 6**:

NOIR = **L** ligne

BLANC = **N** neutre

VERT/JAUNE = **G** terre

- Un interrupteur bipolaire approprié doit être installé afin de permettre à la hotte de se débrancher du réseau électrique.

- Raccordez le conduit électrique au boîtier de connexion en n'utilisant que des composants homologués.

- Réalisez la connexion électrique conformément aux dispositions de la norme nationale (ANSI/NFPA 70-1999).

5. Insérez les câbles à l'intérieur de la boîte et ensuite fermez-la en fixant le couvercle avec les vis précédemment enlevées.

L'appareil doit être installé à une hauteur minimum de 27" par rapport à une cuisinière électrique, et de 32" s'il s'agit d'une cuisinière à gaz ou combinée. Si l'on utilise un conduit composé de deux éléments, la partie supérieure doit alors être reliée à l'extérieur de la partie inférieure. Ne pas relier le conduit d'aspiration d'air de la hotte à celui utilisé pour aspirer l'air chaud ou les fumées provenant de d'autres appareils électroménagers non électriques.

• Pour la version **FILTRANTE** il faut appliquer un tuyau métallique pour l'évacuation de l'air **M** (**Fig.7**), de minimum 15" de longueur, relié à la bride du convoyeur. Celui-ci devra être positionné verticalement et fixé à une ouverture effectuée sur la partie supérieure du meuble suspendu.

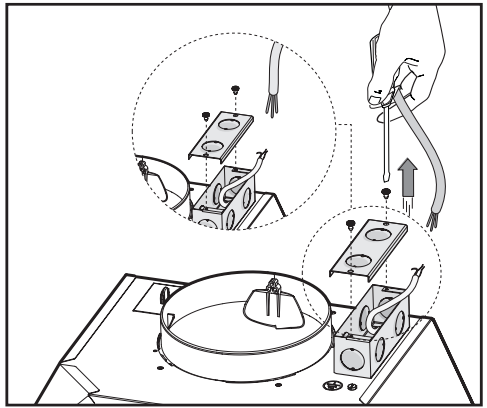


Fig.6

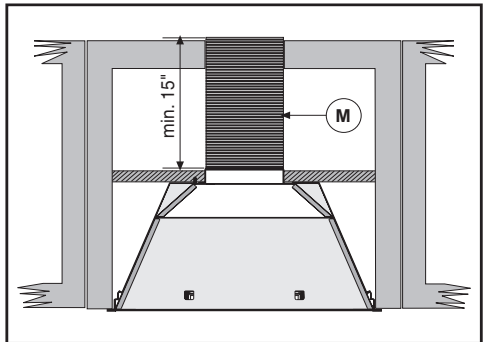
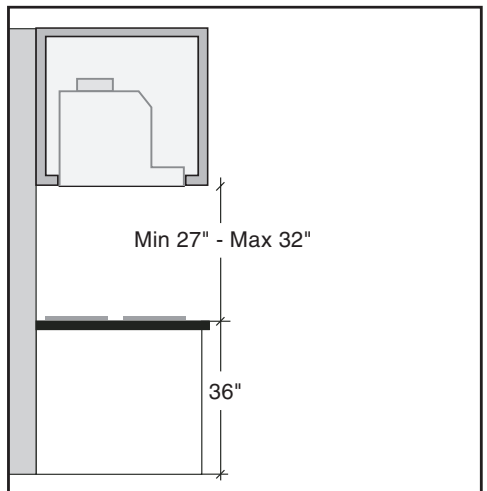
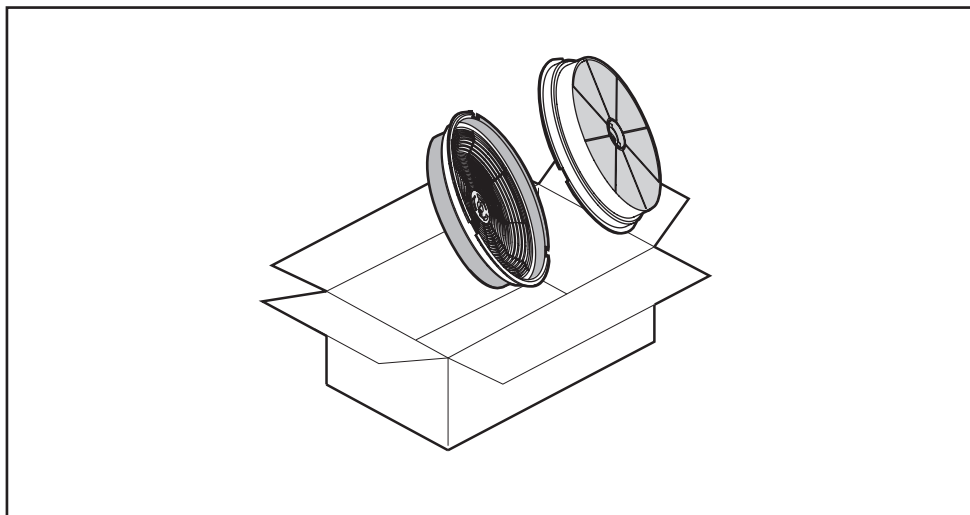


Fig.7

3. RACCORDEMENT DES TUYAUX:



OPTION DE RECIRCULATION SANS TUYAU:



Kit filtre de recirculation sans tuyaux **modèle XORFRND.**

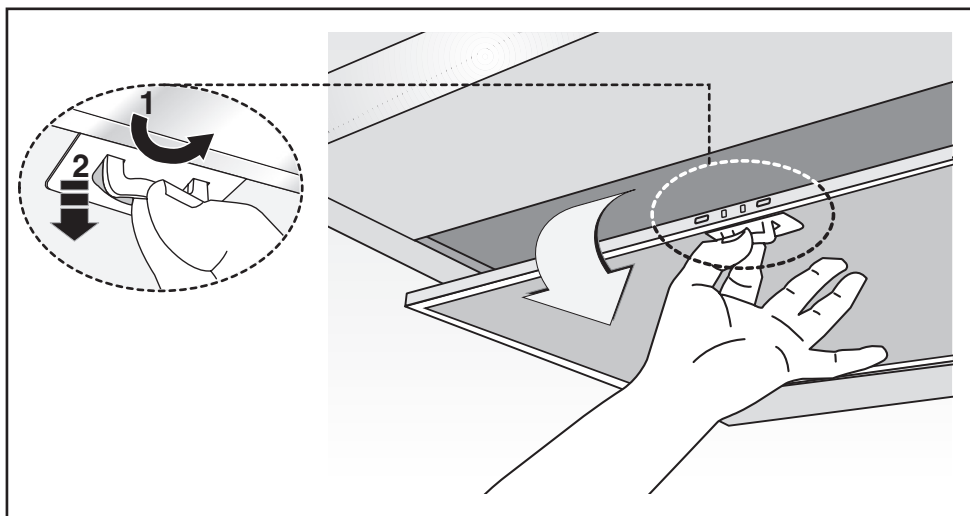


Fig.1: Enlever les panneaux en aluminium en tirant vers l'extérieur le levier 1 et pousser vers le bas 2.

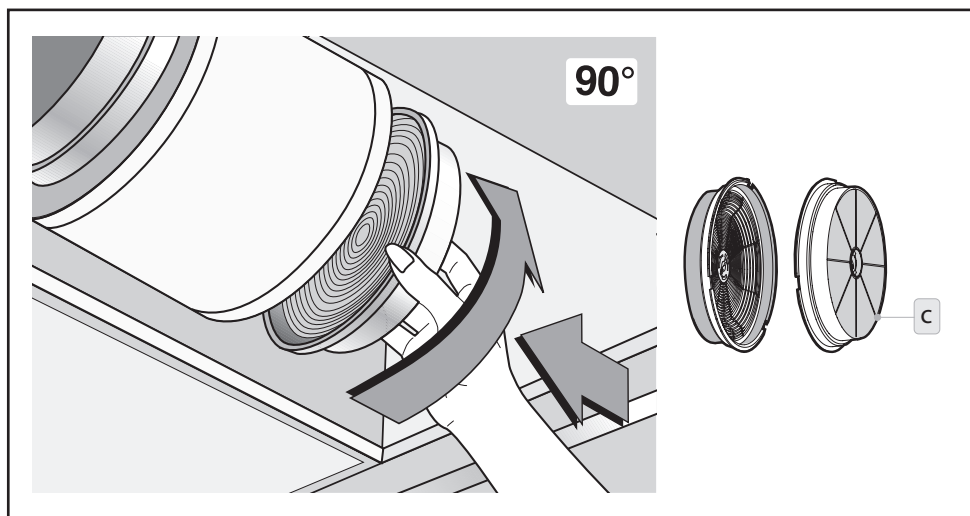


Fig.2: Les filtres **C** doivent être appliqués au groupe aspirant situé à l'intérieur de la hotte en les plaçant au centre de celui-ci et en les tournant de 90 degrés jusqu'au déclic de blocage.

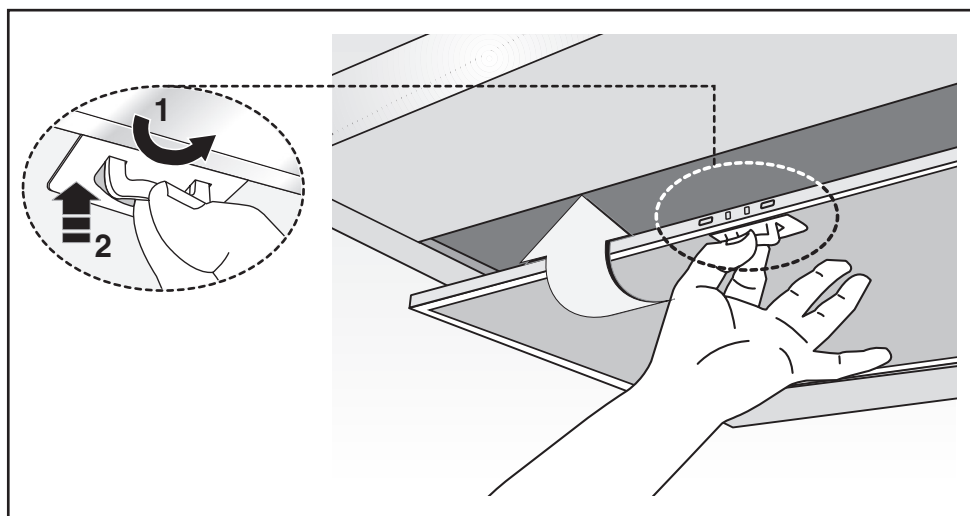
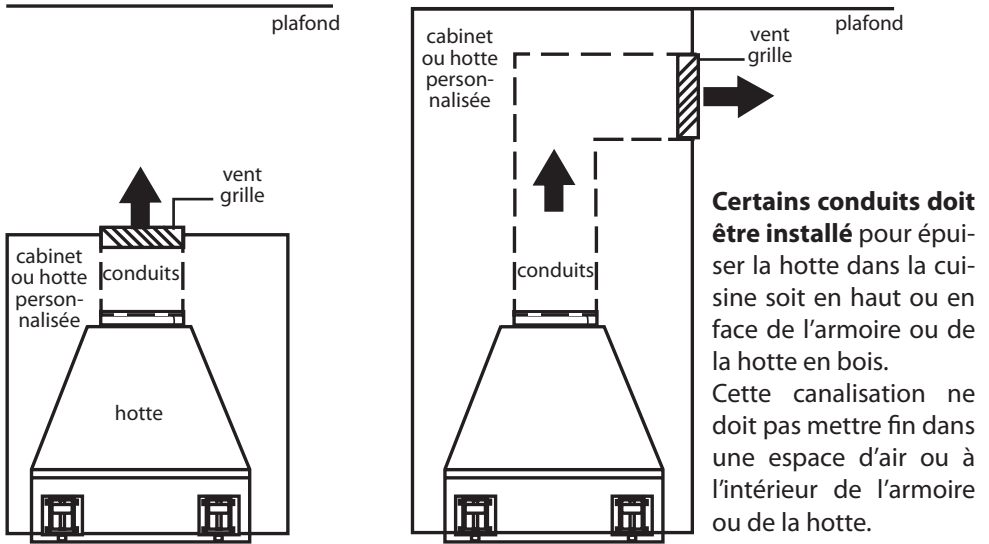


Fig.3: Replacer les panneaux en aluminium précédemment enlevés (**Fig.1**).

Installation de recirculation

IL EST FORTEMENT RECOMMANDÉ QUE LA CUISINE DE STYLE PROFESSIONNEL TOUJOURS ÊTRE ÉVACUÉ VERS L'EXTÉRIEUR. Pour une installation où les conduits sont impossible ou très peu pratiques les **filtres à charbon** qui sont attachés à l'unité de ventilation absorbent la fumée et les odeurs.



Vent grille not inclus

6 "rond ou 3 1/4" x 10 " rectangulaire recommandé pour de meilleures performances

■ UTILISATION

• Si l'appareil dispose des commandes suivantes:

A = Touche ECLAIRAGE

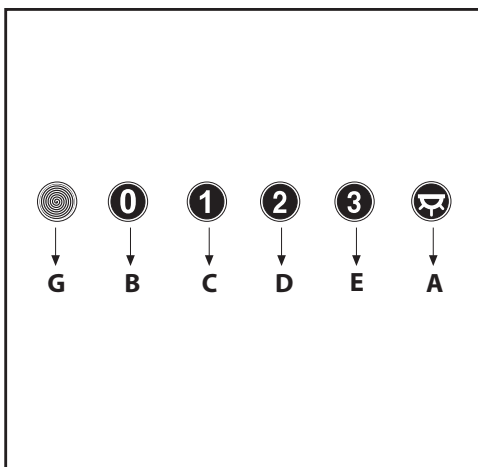
B = Touche OFF

C = Touche PREMIERE VITESSE

D = Touche DEUXIEME VITESSE

E = Touche TROISIEME VITESSE

G = Voyant MOTEUR EN MARCHÉ.



■ MANTENANCE

• Il est conseillé de mettre en service la hotte quelques minutes avant de commencer à cuisiner. De même il est conseillé de l'arrêter 15 minutes après avoir terminé la cuisson pour éliminer au maximum les odeurs et évacuer l'air vicié. Le bon fonctionnement de la hotte est lié à la fréquence des opérations d'entretien et, plus particulièrement, à l'entretien du filtre anti-graisse et du filtre à charbon actif.

• **Le filtre anti-graisse** a pour rôle de retenir les particules grasses en suspension dans l'air. Il peut donc se boucher plus ou moins rapidement selon la fréquence d'utilisation de la hotte. Nettoyer fréquemment les filtres de la graisse à l'aide d'une solution détergente. Les filtres de la graisse peuvent être lavés dans le lave-vaisselle.

• **Los filtros de carbó:**

- Pour prévenir tout risque d'incendie, il faut laver les filtres anti-graisse au moins tous les 2 mois, ces derniers sont lavables même au lave-vaisselle.

- Après plusieurs lavages, ils peuvent changer de couleur. Ceci ne donne pas droit à réclamation ni droit, par conséquent, à leur remplacement.

Le non-respect des consignes de remplacement et de lavage peut entraîner un risque d'incendie des filtres anti-graisse.

• **Les filtres à charbon actif** servent à filtrer l'air qui est ensuite renvoyé dans la pièce. Les filtres ne sont ni lavables ni régénérables, il faut par conséquent les changer au moins tous les quatre mois.

La saturation du charbon actif dépend de l'utilisation plus ou moins prolongée de l'appareil, du type de cuisine pratiquée et de la régularité du nettoyage du filtre anti-graisse.

• Nettoyez fréquemment la hotte, à l'intérieur et à l'extérieur, à l'aide d'un chiffon imbibé d'alcool dénaturé ou de détergents liquides neutres **non** abrasifs.

• N'utiliser l'éclairage de la hotte que pendant la cuisson, ce dernier n'est en effet pas conçu pour un éclairage général prolongé de la pièce. Une utilisation prolongée de l'éclairage diminue considérablement la durée de vie moyenne des lampes.

• **Nettoyage de la hotte :**

l'acier inox est l'un des matériaux les plus faciles à nettoyer. Un entretien régulier permettra de garder l'acier inox en bon état.

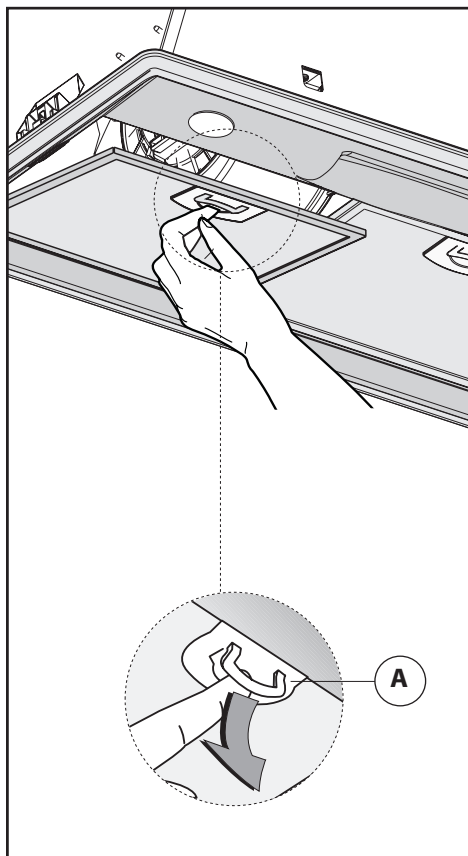


Fig.8

Suggestions pour le nettoyage :

- il suffit d'utiliser de l'eau chaude avec du savon ou du détergent.
- Après avoir nettoyé, rincer avec de l'eau. Essuyer avec un chiffon sec et propre pour le rendre brillant.
- En cas de décolorations ou de graisse, utiliser un détergent domestique non abrasif ou une poudre pour l'acier avec un peu d'eau et un chiffon doux.
- En cas de saleté incrustée, utiliser un racloir en plastique ou une brosse souple avec du détergent et de l'eau. Frotter légèrement en direction des lignes du poli ou du "grain" de la finition en acier inox. Ne pas trop gratter pour ne pas endommager la surface.
- **NE PAS** laisser les dépôts pendant trop longtemps sur la hotte.
- **NE PAS** utiliser de tampons à récurer ou de brosse en acier. Sur la surface des particules en acier pourraient adhérer et former, par conséquent, de la rouille.
- **NE PAS** laisser des solutions salines, des désinfectants, de la javelle ou des détergents en contact avec l'acier inox pendant une durée excessivement longue. Certains de ces produits contiennent des substances chimiques qui pourraient être nuisibles. Rincer avec de l'eau et essuyer avec un chiffon propre.

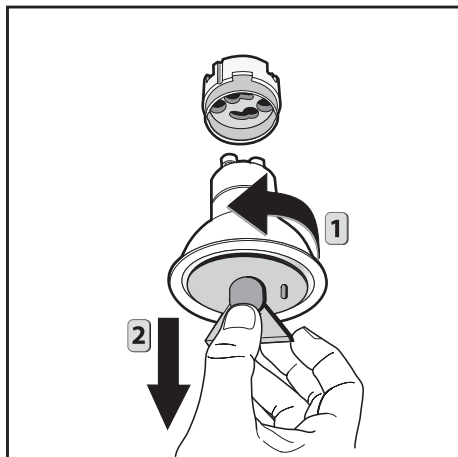
Les surfaces vernies doivent être nettoyées avec de l'eau chaude et un détergent neutre.

• **Remplacement des panneaux aluminium:**

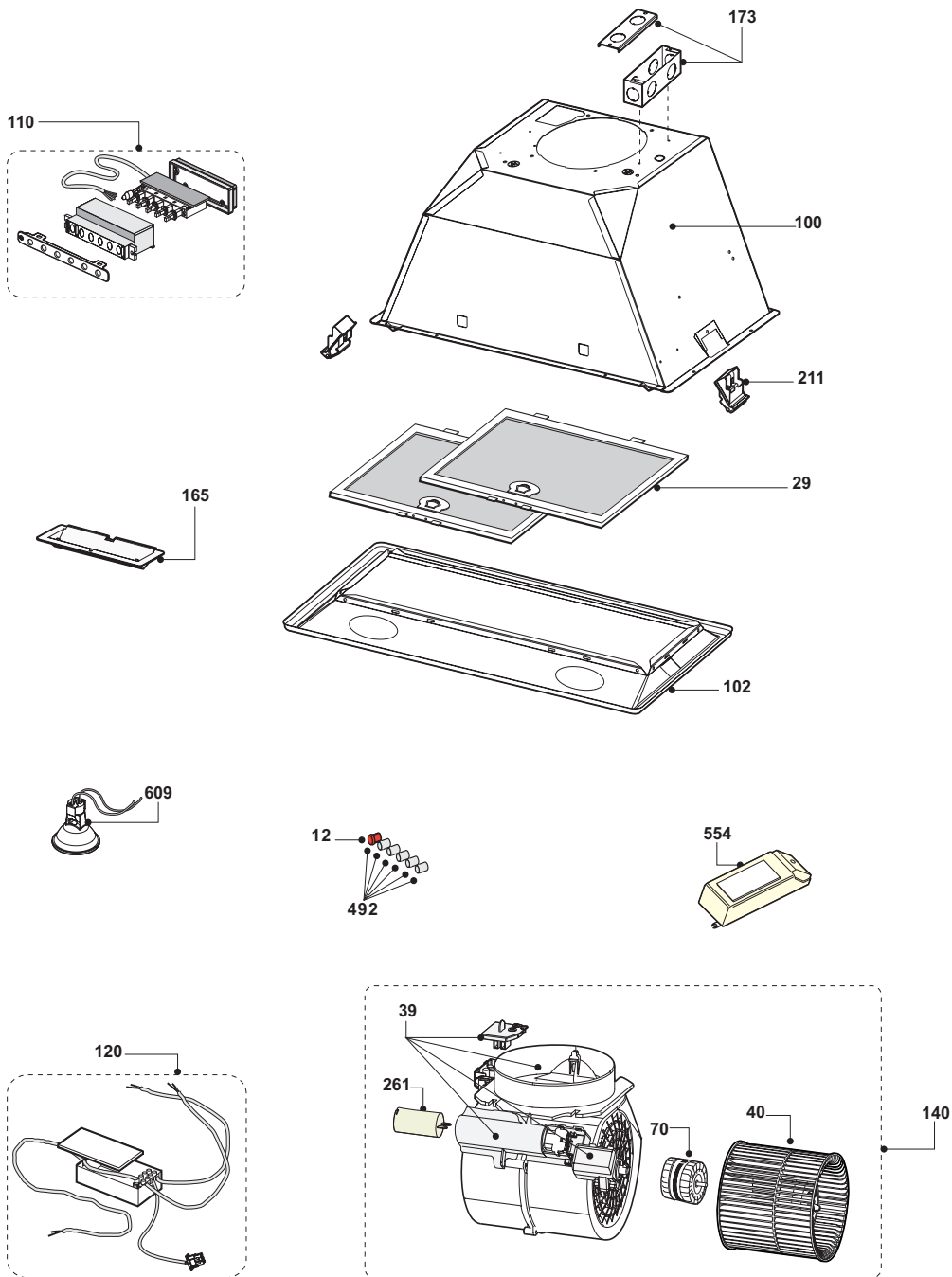
Pour remplacer les panneaux aluminium, il suffit de tirer sur la poignée **A** comme illustré **Fig.8.**

• **Remplacement des lampes halogènes:**

Pour le remplacement des lampes dichroïques, tourner la lampe dans le sens antihoraire à l'aide d'une ventouse comme représenté sur la figure. Remplacez-les par des ampoules de même type.

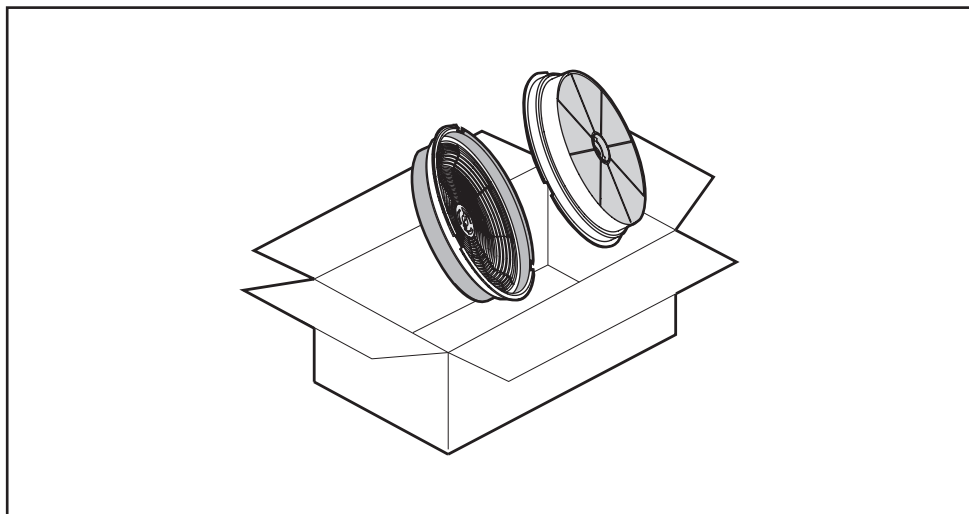


XOI21SMUA - XOI27SMUA:



OPTIONS ET ACCESSOIRES:

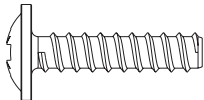
Kit filtre de recirculation sans tuyaux **modèle XORFRND.**



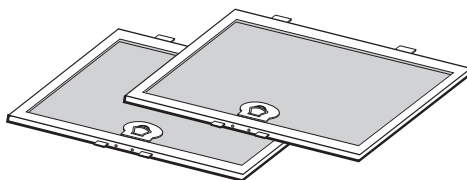
INSTALLATION PREPARATION:

Check installation hardware:

Locate the hardware package packed with the hood and check contents.

TYPE		DESCRIPTION	N°
A		1/8" x 1/2"	8

Filtre en aluminium



Spécifications XO1

Modèle: XO121SMUA - XO127SMUA

Dimensions: 20-13/16" **Profondeur:** 11"

Dimensions: 27-3/4" **Profondeur:** 11"

Fonctions et avantages:

- La grande vitesse de 395 CFM du souffleur élimine de façon optimale la fumée, la graisse et les odeurs.
- 3 vitesses, poussoir mécanique.
- Deux lampes halogènes à 50W éclairent très bien la superficie de cuisson.
- Les filtres d'aluminium résille capturent la fumée et les particules de graisse dans l'air. Faciles à démonter, ils peuvent être lavés dans le lave-vaisselle.
- **Dimensions:** 20-13/16" W x 11" D x 10" T
Dimensions: 19-7/16" W x 10-1/16" D.
- **Dimensions:** 27-3/4" W x 11" D x 10" T
Dimensions: 26-7/16" W x 10-1/16" D.
- Hauteur de montage de la superficie de cuisson 27"-32".

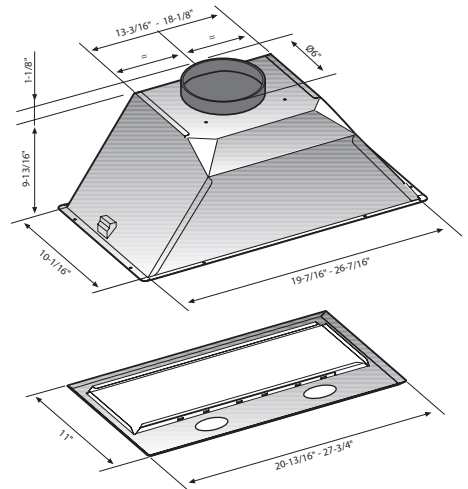
Tuyaux en option et conditions électriques requises:

- Utiliser des tuyaux de 6 pouces.
- Option sans tuyau pour les applications où les tuyaux ne sont pas disponibles.
- AC 120v-60Hz (3.5 amp).

Options:

- Kit de recirculation en option si la ventilation vers l'extérieur n'est pas disponible.

Modèle: XORFRND



XO
www.xoappliance.com

XO est Exclusivement Distribué par:
Eastern Marketing Corp 24 Eisenhower Parkway Roseland,
New Jersey 07068 800-966-8300
www.easternmarketing.com

DESIGNED & CRAFTED IN
ITALY

XO Hood Warranty Para solicitar una intervención en garantía, es necesaria la factura de compra.

What is covered Garantía de dos años.

La garantía cubre la reparación y la sustitución gratuita, en su domicilio, de partes de la campana con defectos que puedan derivarse de errores de fabricación, durante un período de dos años a partir de la fecha de compra.

La garantía cubre las compras realizadas para uso doméstico en América del Norte.

Si necesita asistencia para su producto XO, llame al número **800.966.8300**

What is not covered Instalación incorrecta.
Visitas a domicilio para recomendaciones sobre el uso del producto.
Reset de interruptores.
Daños causados después de la entrega.

¿SE ESPERABA MÁS DE UN XO?

Cuando compra un producto XO puede estar seguro de que ha comprado un producto de alta calidad, innovador y agradable desde el punto de vista estético, realizado por una empresa que está siempre cerca de usted.



- **INSTRUCCIONES IMPORTANTES DE SEGURIDAD**
- **RELATIVAS SOLO AL USO DOMESTICO**
- **LEA LAS INSTRUCCIONES COMPLETAMENTE ANTES DE PROCEDER.**
- **IMPORTANTE:** Guarde las Instrucciones de uso de los Inspectores Eléctricos Locales.
- **PARA EL INSTALADOR:** Deje las Instrucciones en la unidad de uso del propietario.
- **PARA EL PROPIETARIO:** Guarde las instrucciones para consultas futuras.
Preste máxima atención durante el uso de productos de limpieza o detergentes.
Aparato adaptado para uso doméstico y culinario.
- **ADVERTENCIA** – Para reducir el riesgo de incendio o de sacudida eléctrica, no use el motor junto con ningún Dispositivo de Control de Velocidad con Semiconductores.
- **ATENCION** – Para reducir el riesgo de incendio y aspirar correctamente el aire, asegúrese que esta última sea transportada al exterior a través de un conducto de evacuación. – No descargue el aire en paredes dobles entre paredes o techos o en desvanes, espacios angostos o garajes.
- **ATENCION** – Usar sólo para una ventilación general. No es adaptado para aspirar materiales o vapores peligrosos o explosivos.
- **ATENCION** – Para evitar daños al motor y rumores, y/o hélices desbalanceadas, evite que la unidad de alimentación llegue a contacto con espray, polvo, etc.
- **ATENCION** – Para ulterior información y pedidos, lea la etiqueta de especificación del producto.
- **ADVERTENCIA** – PARA REDUCIR EL RIESGO DE INCENDIO, SACUDIDA ELECTRICA O SDAÑOS A PERSONAS, SIGA LAS SIGUIENTES PAUTAS:
 - A. Use la unidad sólo para finalidades previstas por el fabricante. Para eventuales preguntas, contacte el fabricante.
 - B. Antes de efectuar operaciones de mantención o limpieza a la unidad, desconecte la corriente del panel de servicio y cierre con llave los comandos de desconexión para evitar que se encienda accidentalmente la corriente de alimentación.
Si los comandos de desconexión no pueden ser cerrados con llave, fije firmemente un aviso de peligro que sea evidente al panel de servicio, como una placa por ejemplo.
- **ADVERTENCIA** – **PARA REDUCIR EL RIESGO QUE LA GRASA DE LA SUPERFICIE DEL HORNO SE INCENDIE:**
 - A. Nunca deje ollas en la superficie del horno en posición alta sin supervisión. Eventuales desbordamientos por el hervor pueden causar humo y rebalses de grasa que pueden encenderse. Caliente el aceite lentamente en posición baja o media.

- B.** ENCIENDA siempre la campana cuando cocine a temperaturas elevadas o cuando flamee los alimentos (ej. Crêpes Suzette, Cherries Jubilee, cerezas flameadas con brandy y helado -, Carne de buey flameada a la pimienta).
- C.** Encienda frecuentemente el motor. Evite que la grasa se acumule en el motor o en el filtro.
- D.** Use cazuelas de dimensiones adaptas. Siempre utilice utensilios de cocina idóneos a la dimensión de la olla que se encuentra sobre la superficie del horno.
- E.** Mantenga limpio el motor, los filtros y la superficie donde se acumula la grasa.
- F.** Use el horno en posición alta sólo cuando sea necesario. Caliente el aceite lentamente en posición baja o media.
- G.** No deje nunca el horno sin supervisión durante la cocción.
- H.** Use siempre utensilios y herramientas de cocina adaptos al tipo y a la cantidad de comida que esté preparando.

■ **ADVERTENCIA** – PARA REDUCIR EL RIESGO DE DAÑOS A PERSONAS EN CASO QUE SE ENCIENDA LA GRASA DE LA SUPERFICIE DEL HORNO, SIGA LAS SIGUIENTES PAUTAS:

- A.** SOFOQUE LAS LLAMAS con una tapa hermética, una losa de horno o una bandeja metálica y luego apague el quemador. PRESTE MUCHA ATENCION DURANTE ESTA OPERACION PARA EVITAR QUEMADURAS. Si las llamas no se extinguen inmediatamente, EVACUE EL LUGAR Y LLAME A LOS BOMBEROS.
- B.** NO TOQUE NUNCA UNA CAZUELA HIRVIENTE – se puede quemar.
- C.** NO USE AGUA, inclusive estropajos o toallas húmedas – se produciría una violenta explosión de vapor.
- D.** Use un extinguidor SOLO en caso que:
 - 1.** Se tenga un extinguidor de Clase ABC y sepa utilizarlo.
 - 2.** Sea un incendio de dimensiones pequeñas y contenido en el área en la cual ha estallado.
 - 3.** Ya hayan sido llamados los bomberos.
 - 4.** Se puedan afrontar las llamas con la espalda dirigida hacia una salida.

aBasado en las “medidas sobre seguridad antiincendio en la cocina” publicadas por el NFPA.

Una correcta mantención de la campana garantiza un funcionamiento perfecto de la unidad.

■ INSTRUCCIONES PARA LA INSTALACION

■ **ADVERTENCIA** – PARA REDUCIR EL RIESGO DE INCENDIO, SACUDIDA ELECTRICA O DAÑOS A PERSONAS, SIGA LAS SIGUIENTES PAUTAS:

- A.** Las operaciones de instalación y conexión eléctrica deben ser efectuadas por personal calificado, conforme con las leyes y normativas en vigor, incluyendo las de aparatos de fuego.
- B.** Es necesario tener una cantidad de aire suficiente para obtener una combustión y aspiración del gas correcta a través del humero de la planta de combustión del carburante, para evitar un tiro del del aire en la parte posterior. Segua las indicaciones

del fabricante de la planta de calefacción y las relativas normas de seguridad, como las emitidas por la Asociación Nacional de Protección contra Incendios (National Fire Protection Association - NFPA), por la Sociedad Americana de Técnicos de Calefacción, Refrigeración y Aire Acondicionado (American Society for Heating, Refrigeration and Air Conditioning Engineers - ASHRAE) y por las autoridades de códigos locales.

- C. Cuando corte o taladre en la pared o el techo, no dañe el cableado eléctrico ni otras utilidades escondidas.
- D. El aparato debe estar siempre conectado a un agujero de evacuación hacia el exterior.
- E. La unidad deber ser conectada al suelo.

■ **ADVERTENCIA** – PARA REDUCIR EL RIESGO DE INCENDIO, USE SOLO TUBERIAS METALICAS.

■ **ADVERTENCIA** – EN CIERTOS CASOS LOS ELECTRODOMESTICOS PUEDEN REVELARSE PELIGROSOS.

- A. No controle los filtros mientras la campana se encuentre en función.
 - B. No toque las luces después de un uso prolongado del aparato.
 - C. Nunca flamee un alimento bajo la campana.
 - D. El uso de llamas libres es peligroso para los filtros y puede generar incendios.
 - E. Controle constantemente los alimentos fritos para evitar que los chorros del aceite de la fritura puedan incendiarse.
 - F. Antes de efectuar cualquier operación de mantención, desconecte la campana de la red eléctrica.
- El fabricante no será responsable por eventuales daños causados por la falta de observación de las instrucciones citadas arriba.

ACCESORIOS PAR CONDUCTOS:

Esta campana debe usar un conducto redondo de 8". Puede cambiar a un conducto de 3-1/4" x 12".

Utilice esta tabla para calcular las longitudes máximas permitidas para recorridos de conductos hacia el exterior.

NOTA: ¡No supere las longitudes equivalentes máxima permitidas!


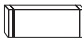


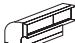









Longitud máxima del ducto: 100 pies para campanas para estufas.

Conductos flexibles:

Si se utilizan conductos flexibles de metal, todos los valores equivalentes en pies de la tabla deben duplicarse. El conducto flexible de metal debe ser recto y liso y debe extenderse lo máximo posible.

NO USE conductos flexibles de plástico.

NOTA: *Cualquier sistema de ventilación doméstico, como una campana de ventilación, puede interrumpir el flujo adecuado de aire de combustión y de escape requerido para chimeneas, hornos a gas, calentadores de agua a gas y otros sistemas de ventilación natural. Para minimizar las posibilidades de interrupción de tales sistemas de ventilación natural, siga las pautas y normas de seguridad del fabricante del equipamiento de calefacción, tales como las publicadas por NFPA.*

Pieza del ducto:	Dimensiones:	Longitud Equivalente*:	Cantidad utilizada:	Longitud Equivalente Total:
	Circular, recta.	1 pie recto (por longitud de pie)		
	3-1/4" x 12" recta.	1 pie recto (por longitud de pie)		
	Codo de 90°	17 pies		
	Codo de 45°	10 pies		
	Codo de 90° de 3-1/4" x 12"	43 pies		
	Codo de 45° de 3-1/4" x 12"	26 pies		
	Codo plano de 90° de 3-1/4" x 12"	102 pies		
	Circular de 8" a 3-1/4" x 12" nsición	2 pies		
	Transición 3-1/4" x 12" a circular de 8"	5 pies		
	Codo de 90° de transición circular 8" a 3-1/4" x 12"	6 pies		
	Codo de 90° de transición de 3-1/4" x 12" a circular de 8"	13 pies		
	Tapa de pared circular con regulador de tiro	32 pies		
	Tapa de pared de 3-1/4" x 12" con regulador de tiro	75 pies		
	Tapa de techo circular	44 pies		
*Longitud real del conducto recto más equivalente de accesorio del conducto. La longitud equivalente de los conductos se encuentra basada en pruebas reales lasque reflejan los requisitos para un buen desempeño de ventilación con cualquier campana de ventilación.				Recorrido total de los conductos =

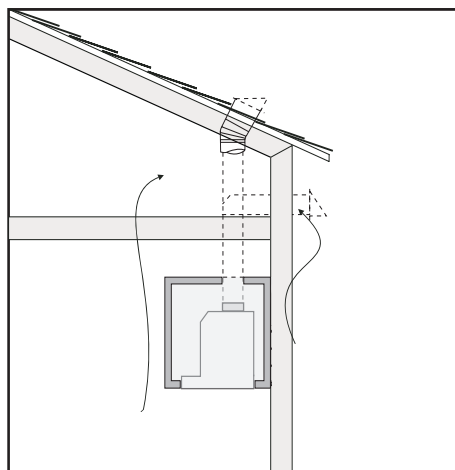
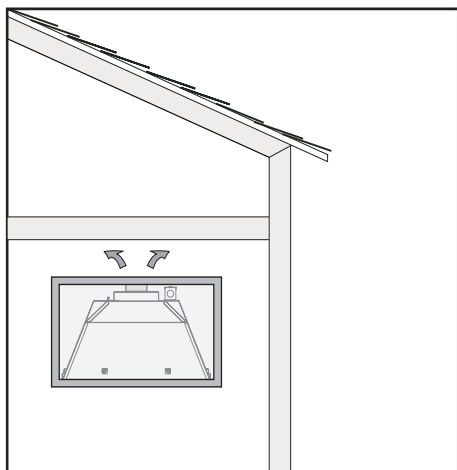
■ ADVERTENCIA: PELIGRO DE INCENDIO

NO instale NUNCA el conducto con la descarga de aire colocada en la escotadura de paredes, en pavimentos ventilados, áticos o garajes.

El aire se debe descargar hacia afuera salvo cuando se utiliza la opción de la recirculación.

Utilice exclusivamente los conductos de metal rígido de pared simple.

Realice todas las conexiones utilizando los tornillos autorroscantes y aplique una cinta americana certificada en todas las juntas.



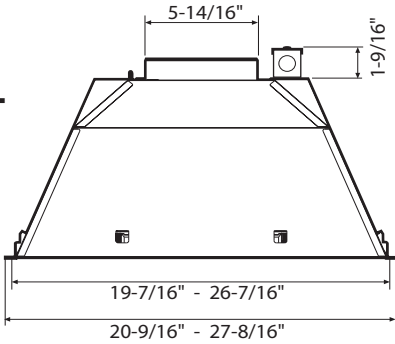
INSTALACIÓN DE LA TUBERÍA:

NOTA: para reducir el riesgo de incendio, utilice solo tuberías de metal.

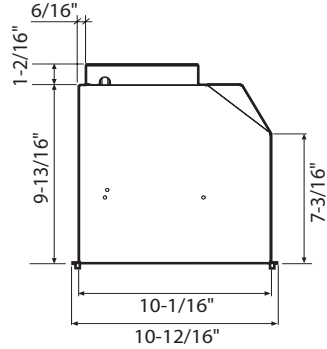
1. Decida la posición del tubo entre la campana y el exterior.
2. Un tubo corto y recto mejora los rendimientos de la campana.
3. Los tubos largos, codos y racores reducen los rendimientos. Utilice el menor número posible de estos elementos.
4. Instale un sombrero de techo o de pared. Conecte un tubo circular metálico en el sombrero de techo y continúe hacia la campana (desde arriba hacia abajo). Utilice una cinta aislante para tubos para sellar las juntas entre las varias secciones.

DIMENSIONES DEL PRODUCTO Y DISTANCIAS XOI21SMUA - XOI27SMUA:

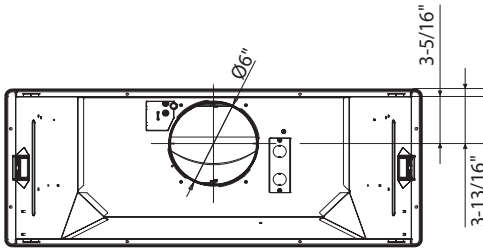
› Parte frontal de la campana



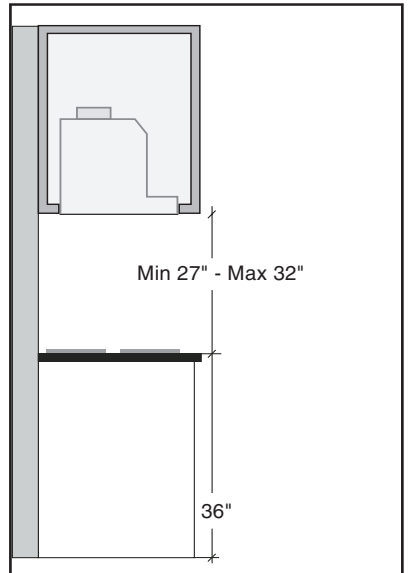
› Parte lateral de la campana



› Parte superior de la campana



› Altura de montaje y distancias:



INSTRUCCIONES PARA LA INSTALACIÓN

INSTALACIÓN CON DESCARGA AL AIRE LIBRE

1. MONTAJE DE LA CAMPANA EN LA PARTE INFERIOR DEL MUEBLE COLGANTE:

Este tipo de aparato debe empotrarse en un armario colgante o en otro soporte. Las medidas de la campana se indican en la **figura 1-2**. Antes de fijar la campana, quitar la rejilla **D**, presionando las dos teclas laterales **A** según se indica en la **figura 3**.

Para filarla emplear 8 tornillos idóneos (no en dotación) para el tipo de mueble. Para una instalación correcta de la campana, fijar antes los 4 tornillos **A** y luego los 4 tornillos **B** siguiendo el esquema de la **figura 4**. Una vez que la campana se ha fijado a la parte inferior del armario colgante, colocar la rejilla **D** (**Fig.4**) en su sede. Durante esta operación prestar atención para que la rejilla **D** quede enganchada de forma correcta.

Con este tipo de instalación el aparato descarga los vapores al exterior a través de una canalización existente. Para ello hay que comprar un tubo mural telescópico del tipo previsto por la normativa vigente, no inflamable y encajarlo en la arandela **H** (**Fig.5**).

IMPORTANTE: la campana se debe fijar a la pared con pernos roscados o tacos con capacidad para 75 libras.

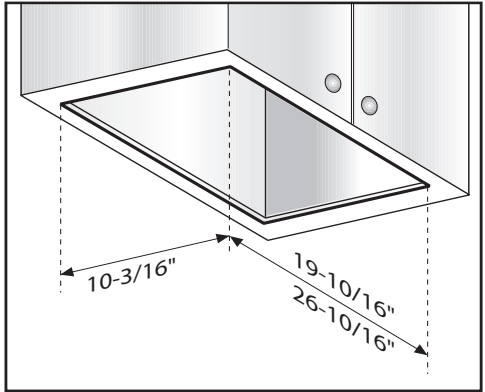


Fig.1

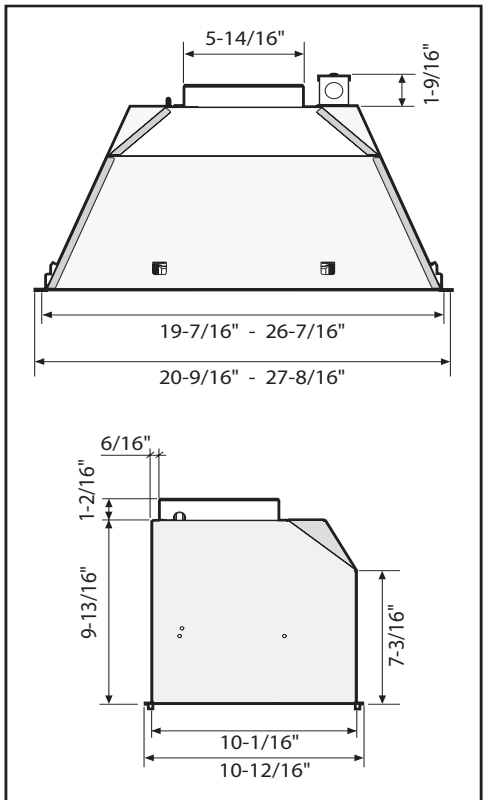


Fig.2

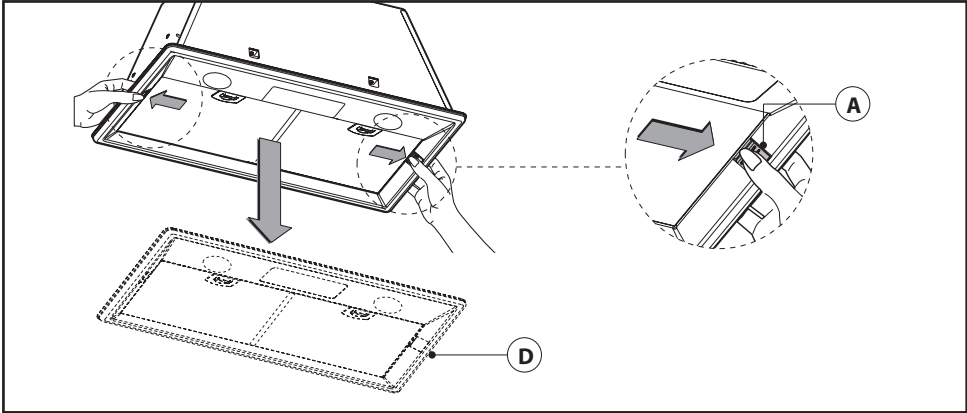


Fig.3

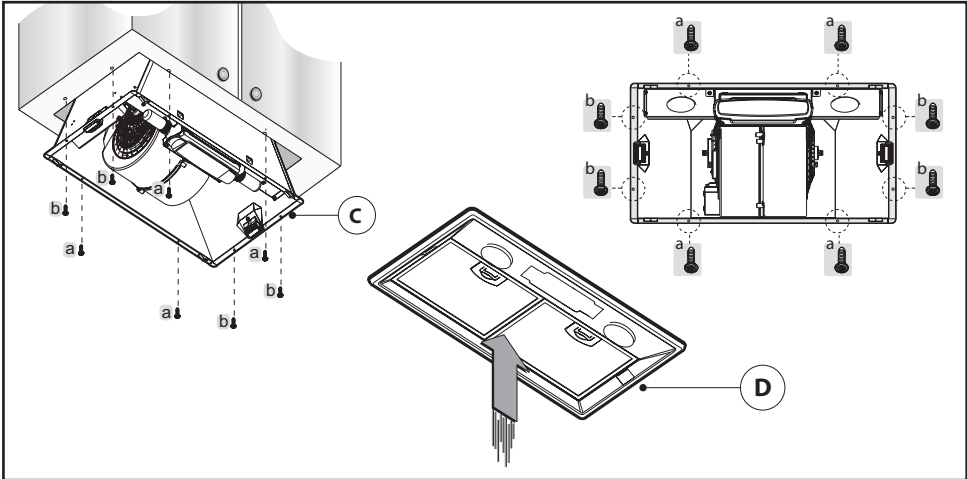


Fig.4

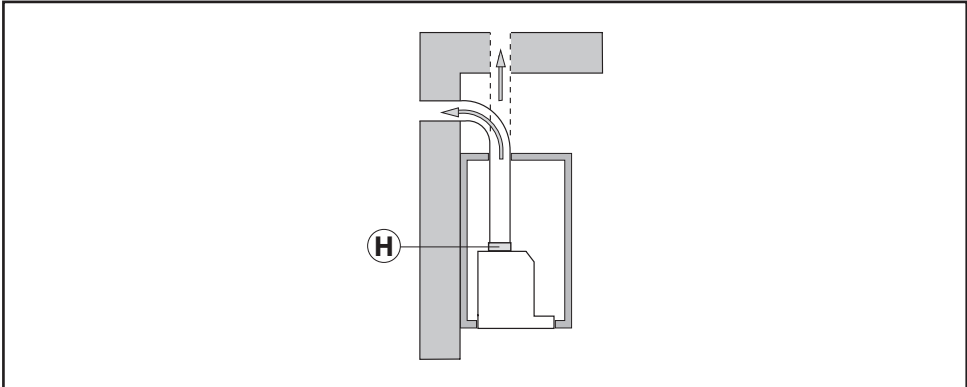


Fig.5

ALIMENTACIÓN:

IMPORTANTE (se ruega leer atentamente)

ADVERTENCIA:

PARA GARANTIZAR SU SEGURIDAD, APOYE EL EQUIPO EN EL SUELO.

Antes de iniciar la instalación, quite el fusible o abra el interruptor de circuito. No utilice alargadores y tomas de adaptación con este equipo. Respete los códigos nacionales sobre la seguridad eléctrica o los códigos y reglamentos locales correspondientes.


Alimentación eléctrica:

Esta campana de ventilación se debe alimentar con corriente de 120 V, 60 Hz y se debe conectar a una red independiente, con una puesta a tierra adecuada, protegida con interruptores automáticos de 15 o 20 amperios o fusibles retardados.

- Cable de dos hilos con puesta a tierra.
- Si la alimentación eléctrica no está en conformidad con las indicaciones de arriba, contacte con un electricista antes de continuar.
- Coloque los cables domésticos lo más cerca posible de la instalación, en el techo o en la pared de soporte. Consulte las posiciones de los cables en la página 54.
- Conecte los cables de la campana a los cables domésticos en conformidad con los códigos locales.

Instrucciones para la puesta a tierra:

El conductor para la puesta a tierra se debe conectar a un sistema de cableado fijo con puesta a tierra, o bien a un borne o conductor de tierra en la campana.

 **ADVERTENCIA:** Una instalación incorrecta del conductor de tierra de los equipos puede comportar riesgos de descarga eléctrica. En caso de dudas sobre la puesta a tierra correcta de la campana, consulte con un electricista o con un encargado de la asistencia.

2. CONEXIÓN ELÉCTRICA:

• Conexión a la alimentación eléctrica:

Para conectar el electrodoméstico a la alimentación eléctrica, refiérase a lo siguiente, **Fig.6**:

NEGRO = **L** línea

BLANCO = **N** neutro

VERDE / AMARILLO = **G** tierra

- Se debe instalar un interruptor bipolar de una medida apropiada que permita que la campana se conecte a la alimentación eléctrica.

- Conecte el canal eléctrico a la caja de cableado utilizando componentes homologados.

- Realice la conexión eléctrica en conformidad con las disposiciones de la norma nacional (ANSI/NFPA 70-1999).

5. Introduzca los cables dentro de la caja, luego ciérrela con la tapa fijándola con los tornillos precedentemente quitados.

El electrodoméstico debe ser instalado a una altura mínima de 27" sobre los hornos eléctricos, y de 32" en caso se usen hornos a gas o combinados. Si se utiliza una tubería compuesta de 2 partes, la parte superior debe ser colocada al exterior de la inferior. No conecte la tubería de aspiración del aire de la campana a aquel usado para aspirar el aire caliente o humo de otros electrodomésticos que no sean eléctricos.

• Para la versión **FILTRANTE** es necesario conectar un tubo metálico para la extracción de aire **M** (**Fig.7**), de como mínimo 15" de longitud, a la conexión de salida de aire. El tubo deberá ser colocado en posición vertical, y ser asegurado realizando una apertura en la parte superior del mueble colgante.

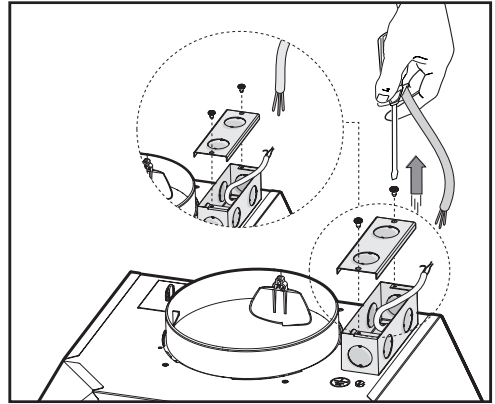


Fig.6

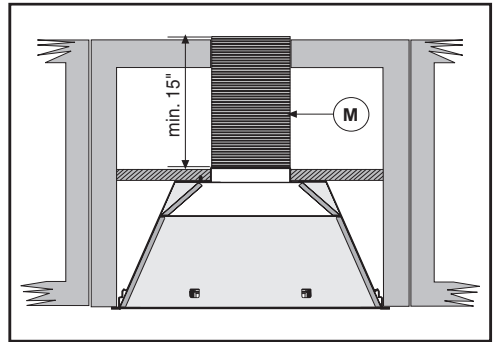
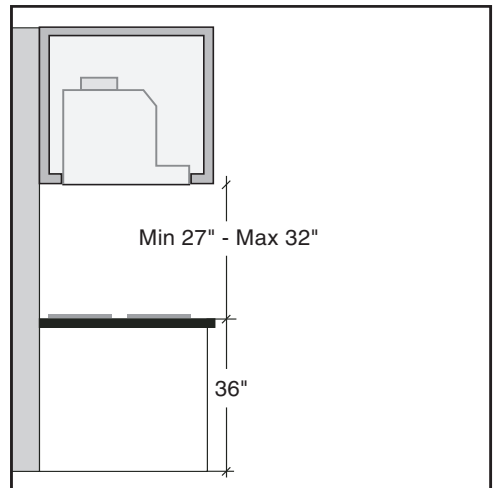
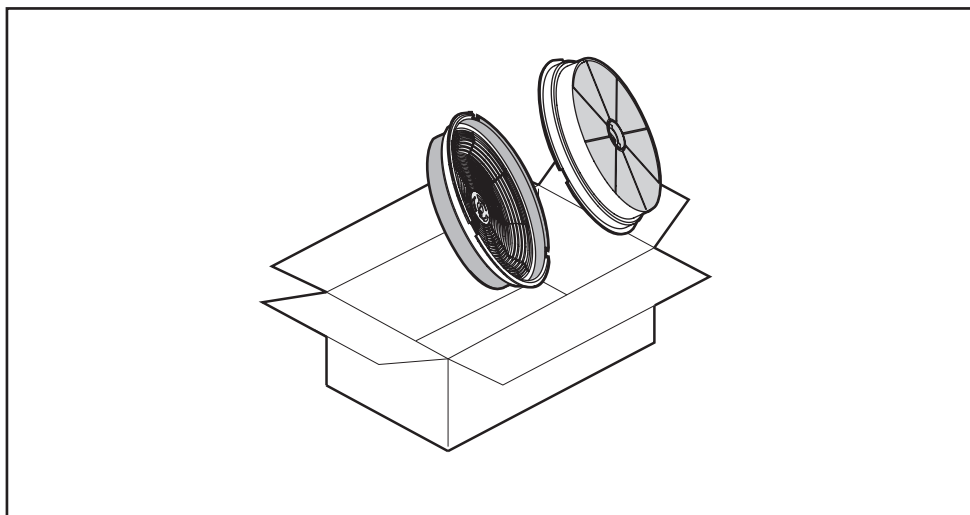


Fig.7

3. CONEXIÓN DE LA TUBERÍA:



OPCIÓN DE RECIRCULACIÓN SIN TUBO:



Kit filtro de recirculación sin tubería **modelo XORFRND**.

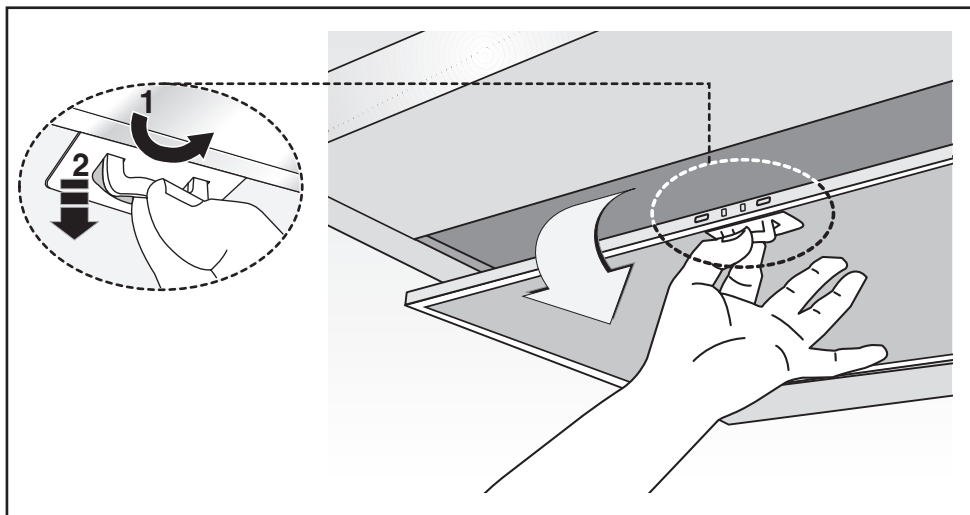
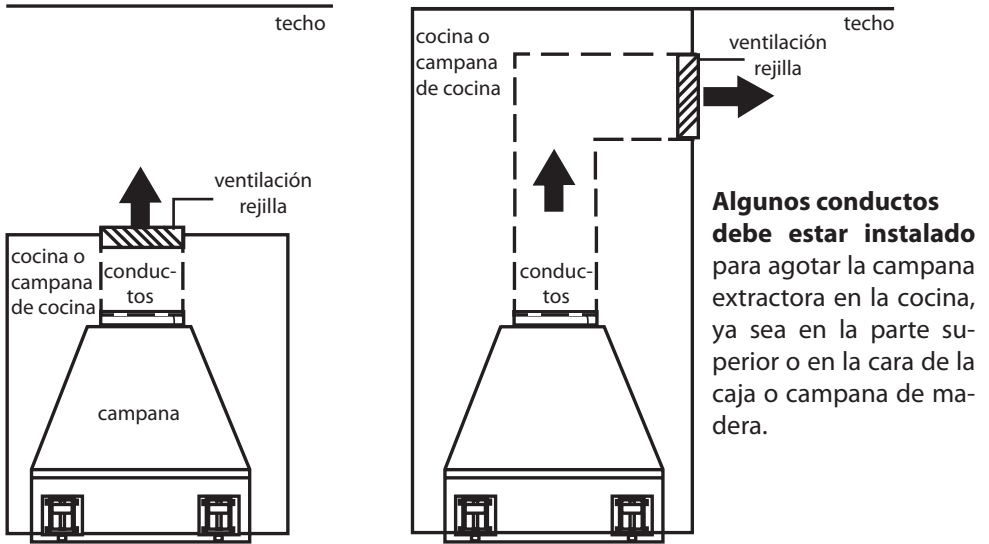


Fig.1: Quitar los paneles de aluminio tirando hacia fuera la palanca 1 y empujar hacia abajo 2.

Instalación de recirculación

ES MUY RECOMENDABLE QUE LA COCINA DE ESTILO PROFESIONAL SIEMPRE TENER VENTILACIÓN HACIA EL EXTERIOR. Para instalaciones en red de conductos es imposible o **filtros de carbón** muy poco práctico que se insertan en el conjunto del soplador absorben el humo y los olores.



Vent rejilla no incluida

6 "redondo o 3 1/4" x 10 "rectangular recomienda para un mejor rendimiento

■ USO

• Si el aparato está equipado con los siguientes comandos:

A = Botón ILUMINACION

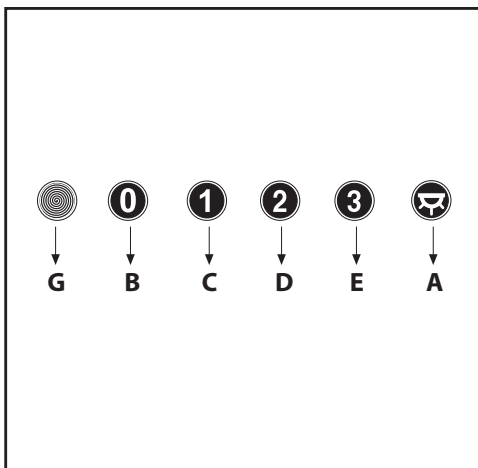
B = Botón OFF

C = Botón PRIMERA VELOCIDAD

D = Botón SEGUENDA VELOCIDAD

E = Botón TERCERA VELOCIDAD

G = Luz indicadora MOTOR EN FUNCIONAMIENTO.



■ MANTENCIÓN

• Se recomienda poner en funcionamiento el aparato antes de proceder a la cocción de un alimento cualquiera. Se recomienda también, dejar funcionar el aparato durante 15 minutos después de haber finalizado la cocción para lograr una evacuación completa del aire viciado.

El buen funcionamiento de la campana depende de la realización de un correcto y constante mantenimiento; se debe prestar una atención particular al filtro antigrasa y al filtro de carbón activo.

• **El filtro antigrasa** cumple la función de retener las partículas de grasa en suspensión en el aire, por lo tanto, puede atascarse en distintos momentos que dependen del uso del aparato. Limpie frecuentemente los filtros de la grasa. Para esto, use una solución detergente. Los filtros de la grasa se pueden lavar en el lavavajillas.

• **Los filtros de carbón activo** sirven para depurar el aire que se devuelve al ambiente. Los filtros no se pueden lavar o regenerar y deben ser sustituidos cada cuatro meses como máximo. La saturación del carbón activo depende del uso más o menos prolongado del aparato, del tipo de cocina y de la regularidad con la que se realiza la limpieza del filtro antigrasa.

• Limpie frecuentemente la campana, tanto por dentro como por fuera, usando un paño bañado con alcohol de quemar o detergentes líquidos neutros **no** abrasivos.

• La instalación de iluminación ha sido proyectada para ser utilizada durante la cocción y no para su uso prolongado como iluminación general del ambiente. El uso prolongado de la iluminación disminuye notablemente la duración media de las lámparas.

• Limpieza de la campana:

El acero inoxidable es uno de los materiales que se mantienen limpios con mayor facilidad. Un cuidado regular ayudará a mantener las características estéticas del acero inoxidable. Sugerencias para la limpieza:

- es suficiente utilizar agua caliente con jabón o detergente.

- Después de la limpieza enjuague con agua. Seque con un paño seco y limpio para quitar los halos.

- Si hay decoloraciones o fuertes incrustaciones, utilice un detergente doméstico no abrasivo o un polvo para el acero con un poco de agua y un paño suave.

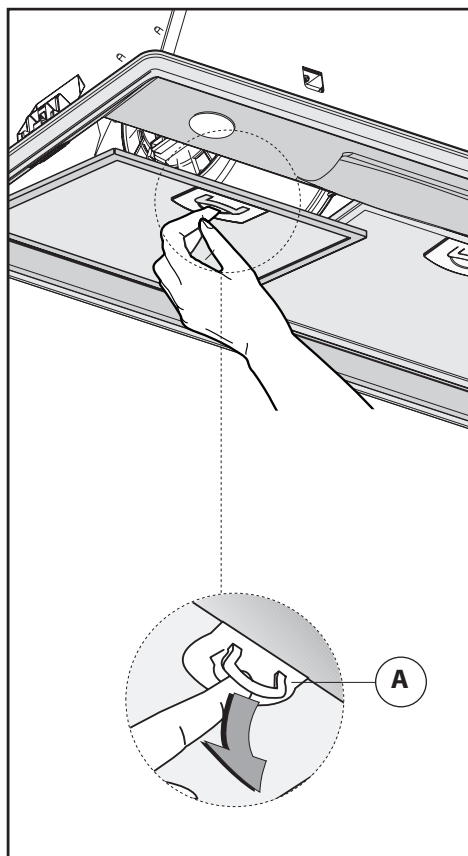


Fig.8

- En caso de suciedad difícil de eliminar, utilice un raspador de plástico o un cepillo suave con detergente y agua. Frote ligeramente en la misma dirección de las líneas de pulido o del “grano” del acabado de acero inoxidable. No frote demasiado para no arruinar la superficie.
- **NO** deje las incrustaciones durante demasiado tiempo en la campana.
- **NO** utilice estropajos o cepillos de acero. Sobre la superficie podrían adherirse partículas de acero con la consiguiente formación de herrumbre.
- **NO** deje soluciones salinas, desinfectantes, lejía o detergentes en contacto con el acero inoxidable durante un tiempo excesivamente largo. Algunos de estos productos contienen sustancias químicas que podrían ser dañinas. Enjuague con agua y seque con un paño limpio.

Las superficies pintadas se deben limpiar con agua caliente y un detergente neutro.

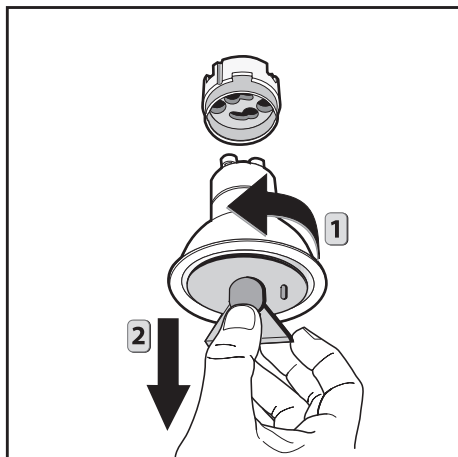
- **Sustitución de los paneles de aluminio:**

Para cambiar los paneles de aluminio es suficiente tirar de la manija **A** como se indica en la **Fig.8**.

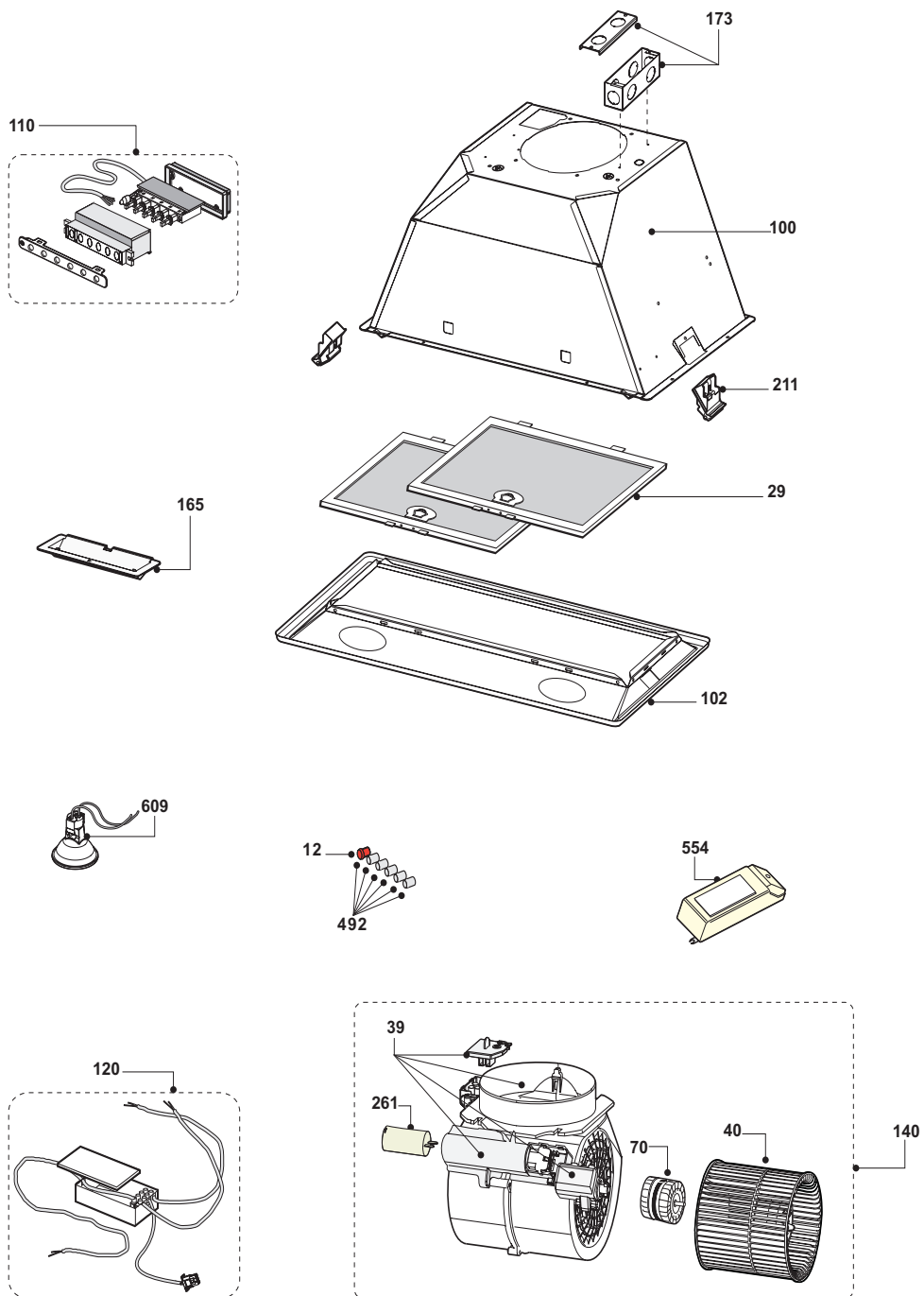
• **Remplacement des lampes halogènes:**

Pour le remplacement des lampes dichroïques, tourner la lampe dans le sens anti-horaire à l'aide d'une ventouse comme représenté sur la figure.

Remplacez-les par des ampoules de même type.

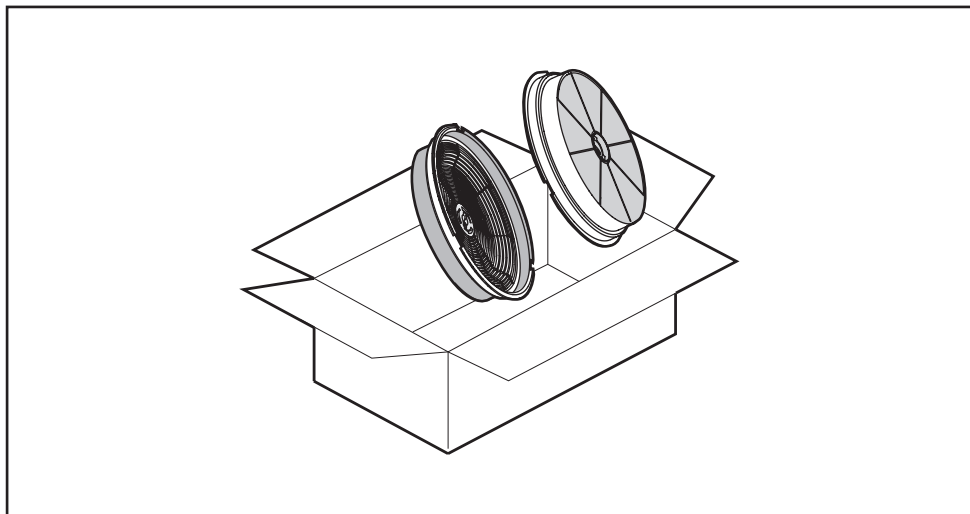


XOI21SMUA - XOI27SMUA:



OPCIONES Y ACCESORIOS:

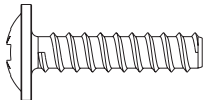
Kit filtro de recirculación sin tubería **modelo XORFRND**.



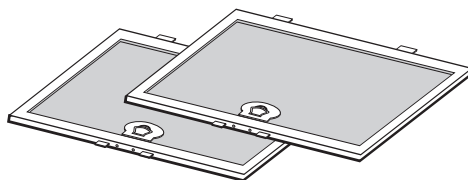
PREPARACIÓN PARA LA INSTALACIÓN:

Controle los elementos para la instalación:

Ubique el paquete de hardware embalado con la campana y verifique los contenidos.

MODELO		DESCRIPCIÓN	N°
A		1/8" x 1/2"	8

Filtro de aluminio





Características XO1

Modelo: XO121SMUA - XO127SMUA

Dimensiones: 20-13/16" **Profundidad:** 11"

Dimensiones: 27-3/4" **Profundidad:** 11"

Funciones y ventajas:

- La elevada velocidad de 395 CFM del soplador elimina perfectamente el humo, la grasa y los olores.
- 3 velocidades.
- Dos lámparas halógenas de 50 W iluminan claramente la superficie de cocción.
- Los filtros de aluminio atrapan el humo y las partículas de grasa presentes en el aire. Se eliminan con facilidad y pueden lavarse en lavavajillas.
- **Dimensiones:** 20-13/16" W x 11" D x 10" T
- **Dimensiones:** 19-7/16" W x 10-1/16" D.
- **Dimensiones:** 27-3/4" W x 11" D x 10" T
- **Dimensiones:** 26-7/16" W x 10-1/16" D.
- Altura de montaje de la superficie de cocción 27"-32".

Tubos opcionales y requisitos eléctricos:

- Se deben usar tubos de 6 pulgadas.
- Opción sin tubo para aplicaciones en las que no están disponibles los tubos.
- AC 120 V -60 Hz (3.5 A).

Opciones:

- Kit de recirculación opcional si no está disponible la ventilación hacia el exterior.

Modelo: XORFRND

