

# PARAMOUNT DESIGNER RANGE SERIES (SDRBS)

36 in. 5.2 cu. ft. Dual Fuel Range with 6 Burner Gas Cooktop and Electric Convection Oven

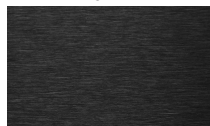
**ZLINE**  
ATTAINABLE LUXURY®

## SDRBSZ-36-MBCB

Black Satin Stainless Steel



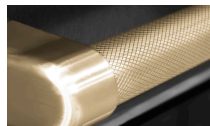
Black Satin Stainless Steel Range Base Finish



Champagne Bronze Knob Rings and Matte Black Knobs



Champagne Bronze Helix Handle



## FEATURES AND BENEFITS

**Italian-Made Auto Re-ignition Burners:** 6 Italian-made gas burners utilize automatic re-ignition innovation for improved temperature control and cooktop safety.

**Horizon Oven Window:** Keep a watchful eye on your baking dishes through ZLINE's Horizon oven door design that features a large viewing window.

**Powerful Convection Cooking:** Handle bakes with ease with a high-speed and high-wattage convection fan that maintains precise heat distribution.

**Dual Function Burner:** The Dual Function Burner allows you to simmer at 800 BTU or perfectly sear at 20,000 BTU.

**Dual Fuel Flexibility:** Enjoy the benefits of dual fuel cooking with a high-powered gas cooktop paired with an electric oven featuring a high-grade heating element for consistent temperature control.

**Large Oven Capacity:** An expansive oven capacity of 5.2 cu. ft. fits pans up to 26 in. wide for maximum space and convenience.

**StayPut Oven Door Hinges:** Designed to support the full weight of the oven door, offering additional convenience and safety.

**Premium Oven Insulation:** A 3-layered glass oven door with a large viewing window and aluminum mesh seal offers superior heat retention and consistent temperatures.

**Smooth Glide Ball-Bearing Oven Racks:** 2 durable ball bearing oven racks provide extra convenience and ease when working with larger dishes.

**LP Conversion Kit:** Comes equipped with an LP conversion kit to convert from natural gas to liquid propane (must be done by a professional), offering versatility with your cooking preference.

## OVEN FEATURES

Interior Oven Dimensions	31 3/8" W x 17 3/4" D x 16 3/8" H
Self-Clean	No
Oven Lighting	(2) Halogen
Oven Features	Bake, Broil, Convection Bake
Convection Fan	Yes
Number of Racks	2
Child Lock	No

## OVEN WATTAGE

Broil Output	4200 W
Bake Output	3000 W

## ELECTRICAL REQUIREMENTS

240 V / 60 Hz / 25 A Dedicated Circuit

## LIMITED WARRANTY

**Manufacturing Warranty:** 1-year parts and labor.

**Italian Burners and Spark Tips:** Limited Lifetime Warranty.

*Limited Lifetime includes: parts replacements for burners, burner caps, and parts and labor for the spark tip if parts prove to be defective in materials or workmanship.*

*\*Appliance protection plans sold separately, contact for more information.*

## GENERAL PROPERTIES

SKUs	SDRBSZ-36-MBCB
Base Finish	Black Satin Stainless Steel
Accent Finish	Matte Black and Champagne Bronze
Fuel Type	Convection Electric Oven-Gas Cooktop
Burners	6 Brass Burners
Mount Type	Free Standing
Timer	No
Material	430 Grade Stainless Steel
Grates	Modern
Certification	ETL Certified

## DIMENSIONS AND WEIGHT

Product Dimensions	36" W x 27 3/4" D x 36" H
Cutout Dimensions	36 1/4" W x 24 3/4" D x 36" H
Product Weight	269 lb (122.01 kg)

## COOKTOP FEATURES

Cooktop	Porcelain With Electronic Spark Ignition For All Burners
---------	--

## COOKTOP BTU (Electronic Ignition and Auto Re-ignition)

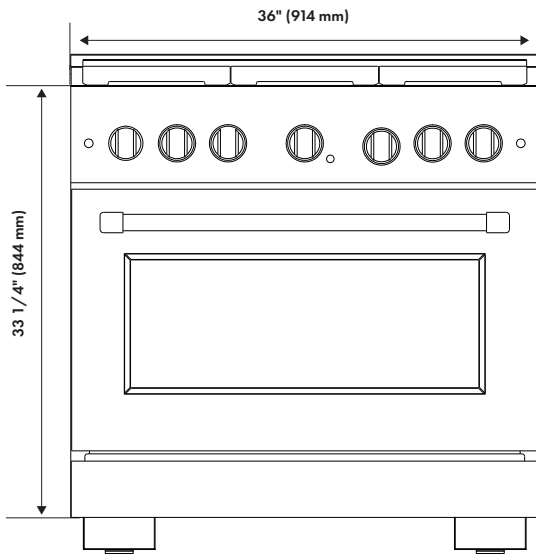
Back Left (Semi-Rapid)	9,000 BTU
Back Middle (Semi-Rapid)	9,000 BTU
Back Right (Rapid)	12,000 BTU
Front Left (Semi-Rapid)	15,000 BTU
Front Middle (Auxiliary)	6,000 BTU
Front Right (Dual)	20,000 BTU

# PARAMOUNT DESIGNER RANGE SERIES (SDRBS)

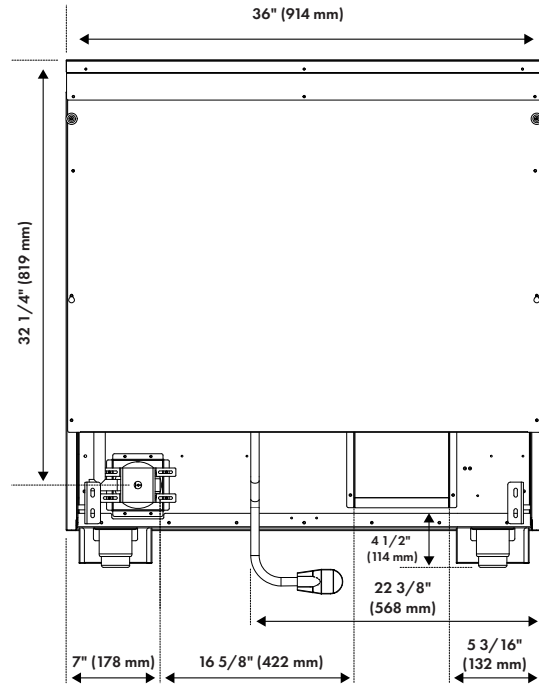
36 in. 5.2 cu. ft. Dual Fuel Range with 6 Burner Gas Cooktop and Electric Convection Oven

**ZLINE**  
ATTAINABLE LUXURY®

**FRONT VIEW**



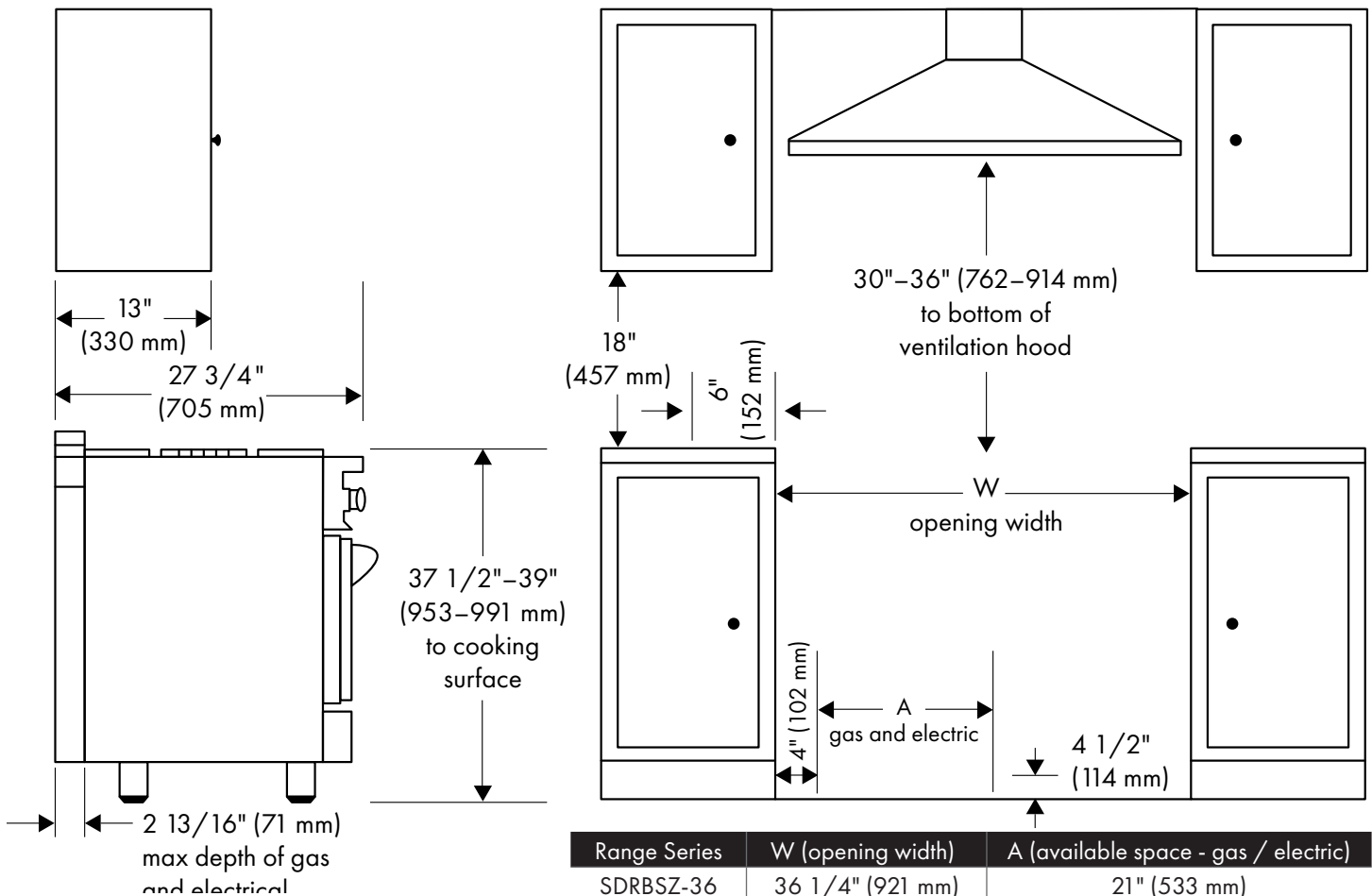
**BACK VIEW**



## INSTALLATION RESOURCES

Installation / User Manual

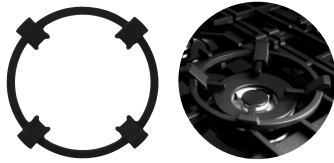
[Click Here](#)



# ZLINE KITCHEN ACCESSORIES

Range + Kitchen Compatible Accessories

**ZLINE**  
ATTAINABLE LUXURY®



Cooktop Wok Ring | RA-005A



Cleaner/Polish | STCLT-8



Reversible Cast Iron Griddle | SR-GRNS



German Steel  
15 Piece Knife Set | KSETT-GS-15



German Steel  
3 Piece Knife Set | KSETT-GS-3



Japanese Damascus  
3 Piece Knife Set | KSETT-JD-3



10-Piece  
Stainless Steel  
Cookware Set | CWSETL-ST-10



10-Piece Stainless  
Steel and Ceramic  
Cookware Set | CWSETL-NS-10



5-Piece Black  
Matte Enameled  
Cast Iron Set | CWSETS-BLM-5



5-Piece White  
Matte Enameled  
Cast Iron Set | CWSETS-WM-5

## CONTACT INFORMATION



### PHONE

**Customer Service**  
1-614-777-5004

**Dealer Assistance**  
1-833-597-2461



### HOURS OF OPERATION

**Customer Service**  
Monday–Friday 6:00am–4:30pm CST

**Dealer Assistance**  
Monday–Friday 7:00am–4:00pm CST



### EMAIL

**Customer Service**  
contact@zlinekitchen.com

**Dealer Assistance**  
dealer@zlinekitchen.com