

XO OUTDOOR



XO HAS SOMETHING **AWESOME** IN STORE FOR YOU

EXPERIENCE AWESOME **XO**



NOT YOUR AVERAGE GRILL NEXT DOOR



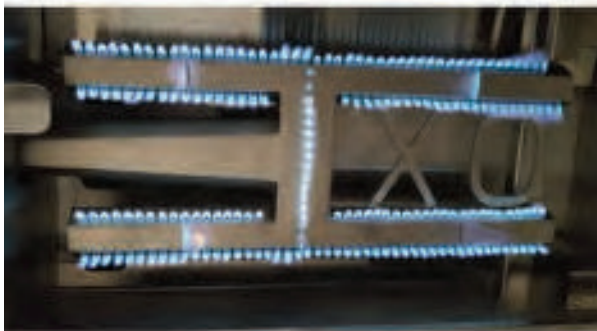
ONE BURNER - ONE ZONE

EVERY BURNER / EVERY GRILL HAS REMOVABLE ZONE DIVIDERS SO YOU CAN COOK AT DIFFERENT TEMPERATURES SIDE BY SIDE.



0 - 1000° IN UNDER A MINUTE

XO'S EXCLUSIVE VERSATILE, FAST REACTING INFRARED BURNER GOES FROM SIMMER TO SEAR LIKE A STEAKHOUSE.



CAST STAINLESS BURNERS

EACH 22,000 BTU BURNER WEIGHS IN AT A MASSIVE 7 LBS. THE MODIFIED H SHAPE DESIGN DISTRIBUTES THE FLAME PATTERN EVENLY.



FLAME THROWER IGNITION

JUST PUSH AND TURN FOR FAST, RELIABLE IGNITION



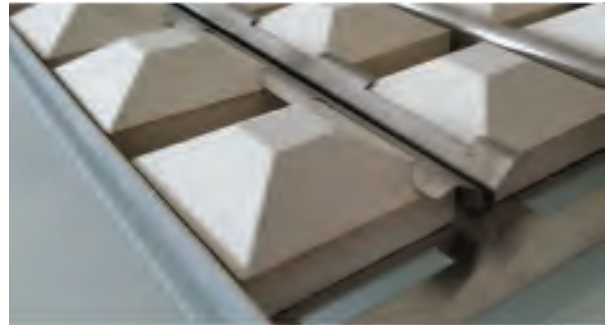
INTERCHANGEABLE BURNERS

THE STAINLESS AND INFRARED BURNERS ARE INTERCHANGEABLE TO ALLOW YOU TO EASILY CHANGE THE LAYOUT OR TYPE OF BURNER TO SUIT YOUR STYLE OF COOKING.

BECAUSE...

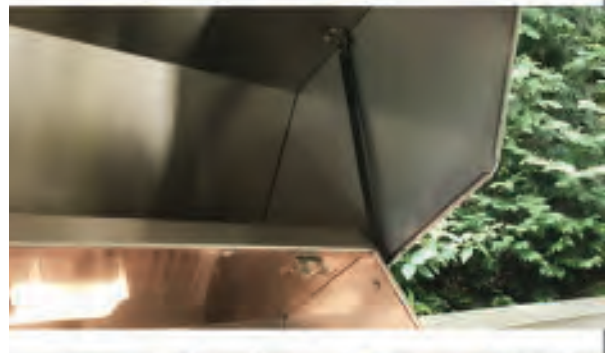
CERAMIC BRIQUETTES

PYRAMID SHAPED CERAMIC BRIQUETTES COLLECT AND DISTRIBUTE HEAT EVENLY. THEY ALSO VAPORIZE DRIPPINGS FOR ADDED FLAVOR AND REDUCE FLARE-UPS.



NO HEAVY LIFTING

THE DOUBLE WALL, WELDED 304 STAINLESS HOOD LIFTS EFFORTLESSLY WITH SPRING ASSIST.



MORE SPACE - MORE VERSATILE SPACE

BIGGER COOKING AREAS - OVERSIZED SECONDARY RACK FOR INDIRECT COOKING HOLDS A 1/4 BAKING SHEET AND FLIPS UP OUT THE WAY.



ELEGANT LED CONTROL LIGHTING

LEDS ILLUMINATE THE CONTROLS AND DRAMATICALLY ACCENT YOUR ENTERTAINING.



HALOGEN INTERIOR LIGHTING

INTERIOR LIGHTING IS INDEPENDENTLY CONTROLLED TO SEE CLEARLY WHILE GRILLING AT NIGHT.



EVERYTHING IS **NOT** A BURGER.



SEAMLESS 304 STAINLESS

HEAVY DUTY WELDED 304 STAINLESS GRILL BODY AND SOLID CAST STAINLESS BURNERS DESIGNED TO RESIST CORROSION FROM THE ELEMENTS.



HEAVY WELDED GRATES

HEAVY DUTY WELDED 304 STAINLESS GRATES HOLD THE HEAT FOR STRONG GRILL MARKS



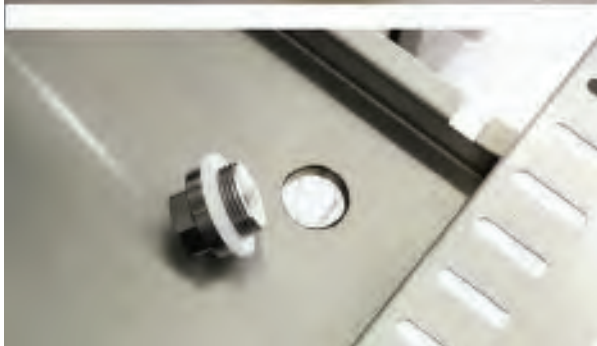
ONE GOOD TURN

XO GRILLS COME WITH AN INFRARED ROTISSERIE BURNER FOR INDIRECT COOKING AND A 25 LB CAPACITY WATERPROOF MOTOR AND SPIT.



PROFESSIONAL GAUGE

EASY TO READ THERMOMETER HELPS YOU SIMMER, SMOKE OR SEAR LIKE A PROFESSIONAL.

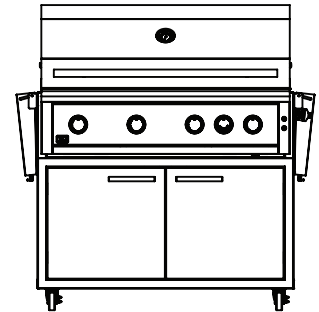


EASY CLEAN UP

THE 304 STAINLESS DRIP TRAY COME FOR EASY CLEANING BUT BEFORE YOU DO - YOU CAN EASILY DRAIN IT TO AVOID MESSSES.

PRO-GRADE LUXURY GRILL HEAD

42 INCH



**OPTIONAL CART
XOG42CART
AVAILABLE**

MODEL NUMBER	DESCRIPTION	RETAIL	UMRP
XOGRILL42□	42" 304 SS PRO-GRADE GRILL	\$5000	\$3999
	Designates Fuel Type N = Natural Gas L= Propane		
XOGIRBURNER	ADDITIONAL INFRARED BURNER	\$250	\$199
XOG42CART	MATCHING 304 SS MOBILE CART	\$1125	\$899
XOG42JACKET*	INSULATED BUILT-IN LINER	\$815	\$649
XOGCOVER42BI	PROTECTIVE COVER (BUILT-IN)	\$79	\$100
XOGCOVER42FS	COVER FOR GRILL ON CART	\$150	\$119

* Built-In installations where combustible materials are present require an insulated jacket

BURNERS:

- (3) STAINLESS CAST BURNERS
22,000 BTU (each)
- (1) INFRARED CERAMIC
22,000 BTU
- (1) INFRARED ROTISSERIE BURNER
11,000 BTU
- 25LB ELECTRIC ROTISSERIE
MOTOR + SPIT INCLUDED

COOKING AREA

Primary 869 sq in
Secondary 366 sq in*
TOTAL 1235 sq in

*(fits 1/4 sheet pan)

GRILL DIMENSIONS OVERALL

W 42"
D 28 11/16"
H 25 3/8"

CUT OUT
W 40 3/4"
D 24"
H 10 7/8"

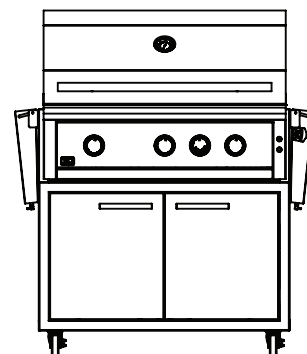
GRILL + CART DIMENSIONS SIDES EXTENDED

W 71 1/4"
D 28 11/16"
H 51 1/8"

FOLDED DOWN
W 50 3/8"
D 28 11/16"
H 51 1/8"

PRO-GRADE LUXURY GRILL HEAD

36 INCH



**OPTIONAL CART
XOG36CART
AVAILABLE**

MODEL NUMBER	DESCRIPTION	RETAIL	UMRP
XOGRILL36 <input type="checkbox"/>	36" 304 SS PRO-GRADE GRILL	\$4250	\$3399
	Designates Fuel Type N = Natural Gas L = Propane		
XOGIRBURNER	ADDITIONAL INFRARED BURNER	\$250	\$199
XOG36CART	MATCHING 304 SS MOBILE CART	\$1000	\$799
XOG36JACKET*	INSULATED BUILT-IN LINER	\$750	\$599
XOGCOVER36BI	PROTECTIVE COVER (BUILT-IN)	\$90	\$69
XOGCOVER36FS	COVER FOR GRILL ON CART	\$140	\$109

* Built-In installations where combustible materials are present require an insulated jacket

BURNERS:

- (2) STAINLESS CAST BURNERS
22,000 BTU (each)
- (1) INFRARED CERAMIC
22,000 BTU
- (1) INFRARED ROTISSERIE BURNER
11,000 BTU
- 25LB ELECTRIC ROTISSERIE
MOTOR + SPIT INCLUDED

COOKING AREA

Primary 665 sq in
Secondary 313 sq in*
TOTAL 978 sq in

*(fits 1/4 sheet pan)

GRILL DIMENSIONS OVERALL

W 36"
D 26 5/16"
H 25"

CUT OUT

W 34 3/4"
D 22"
H 10 1/8"

GRILL + CART DIMENSIONS SIDES EXTENDED

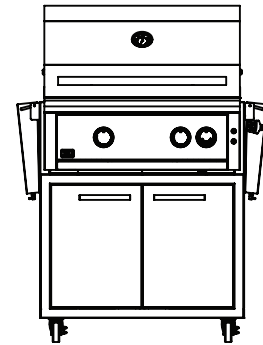
W 65 1/4"
D 26 5/16"
H 50 3/4"

FOLDED DOWN

W 44 3/8"
D 26 5/16"
H 50 3/4"

PRO-GRADE LUXURY GRILL HEAD

30 INCH



**OPTIONAL CART
XOG30CART
AVAILABLE**

MODEL NUMBER	DESCRIPTION	RETAIL	UMRP
XOGRILL30 <input type="checkbox"/>	30" 304 SS PRO-GRADE GRILL	\$3500	\$2799
	Designates Fuel Type N = Natural Gas L= Propane		
XOGIRBURNER	ADDITIONAL INFRARED BURNER	\$250	\$199
XOG30CART	MATCHING 304 SS MOBILE CART	\$875	\$699
XOG30JACKET*	INSULATED BUILT-IN LINER	\$690	\$549
XOGCOVER30BI	PROTECTIVE COVER (BUILT-IN)	\$90	\$69
XOGCOVER30FS	COVER FOR GRILL ON CART	\$140	\$109

* Built-In installations where combustible materials are present require an insulated jacket

BURNERS:

- (1) STAINLESS CAST BURNER
22,000 BTU
- (1) INFRARED CERAMIC
22,000 BTU
- (1) INFRARED ROTISSERIE BURNER
11,000 BTU
- 25LB ELECTRIC ROTISSERIE
MOTOR + SPIT INCLUDED

COOKING AREA

Primary 598 sq in
Secondary 253 sq in*
TOTAL 851 sq in

*(fits 1/4 sheet pan)

GRILL DIMENSIONS OVERALL

W	30"
D	28 11/16"
H	25 3/8"

CUT OUT

W	28 3/4"
D	24"
H	10 7/8"

GRILL + CART DIMENSIONS SIDES EXTENDED

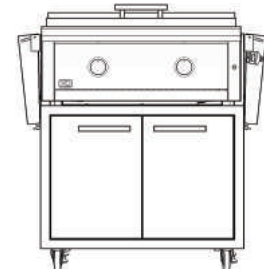
W	59 1/4"
D	28 11/16"
H	51 1/8"

FOLDED DOWN

W	38 3/8"
D	28 11/16"
H	51 1/8"

PRO-GRADE LUXURY GRIDDLE

30 INCH



**OPTIONAL CART
XOG30CART
AVAILABLE**

MODEL NUMBER	DESCRIPTION	RETAIL	UMRP
XOGRIDDLE30 <input type="checkbox"/>	30" 304 SS PRO-GRADE GRIDDLE	\$2375	\$1899
Designates Fuel Type N = Natural Gas L= Propane			
XOG30CART	MATCHING 304 SS MOBILE CART	\$875	\$699
XOG30JACKET*	INSULATED BUILT-IN LINER	\$690	\$549

* Built-In installations where combustible materials are present require an insulated jacket

BURNERS:

(2) STAINLESS TUBULAR
"U" BURNER

COOKING AREA

598 sq in

GRIDDLE DIMENSIONS OVERALL

W	30"
D	28 11/16"
H	13 3/16"

CUT OUT

W	28 3/4"
D	24"
H	10 7/8"

GRIDDLE + CART DIMENSIONS SIDES EXTENDED

W	59 1/4"
D	28 11/16"
H	38 15/16"

FOLDED DOWN

W	38 3/8"
D	28 11/16"
H	38 15/16"



PRO-GRADE LUXURY GRILL CARTS **30 | 36 | 42 INCH**



SHOWN WITH GRILL HEAD PURCHASED SEPARATELY



CART AFTER ASSEMBLY
READY FOR
GRILL HEAD INSTALLATION



OPTIONAL XOLQD HOSE
FOR USE WITH
FREESTANDING GRILLS ONLY

MODEL NUMBER	DESCRIPTION	RETAIL	UMRP
XOG30CART	30" 304 SS PRO-GRADE CART	\$875	\$699
XOG36CART	36" 304 SS PRO-GRADE CART	\$1000	\$799
XOG42CART	42" 304 SS PRO-GRADE CART	\$1125	\$899
XOLQD	12' QUICK DISCONNECT HOSE	\$170	\$129

ALL CARTS FEATURE:



SOFT CLOSE DOORS | STURDY FOLD DOWN SIDE SHELVES | HEAVY DUTY CASTERS
LOCKING CASTERS ON FRONT | GENEROUS ON-DOOR STORAGE | UTENSIL HANGERS
BUILT-IN BOTTLE OPENER | PAPER TOWEL HANGER | EASY MODULAR ASSEMBLY

BRAVO WOOD FIRED PIZZA OVEN

40 INCH



CARBONA (Charcoal)



ROSSO (Red)



GIALLO (Yellow)

MADE IN ITALY
AVAILABLE IN THREE DESIGNER COLORS

Ovens shown with optional glass door

MODEL NUMBER

DESCRIPTION

RETAIL

UMRP

XOPIZZA4

40" Wood-Burning Pizza Oven

\$3750

\$2999

Specify Color

CA - Carbona (Charcoal) **RO** - Rosso (Red) **GI** - Giallo (Yellow)

XOGCOVER40PI

40" Pizza Oven Table Top Cover

\$170

\$129

FEATURES AND BENEFITS:

Patented Air Plus system achieves cooking temperatures with less fuel in as little as 20 minutes

Refractory ceramic floor - insulated to retain heat

Specially shaped dome retains heat and cooks food evenly

Stainless Steel door with air control (glass door optional)

Stainless steel stack damper for precise temperature control

External thermometer displays internal temperature.

3 durable designer colors to choose from

Ready to use with minimal assembly

XOGPIZZA DIMENSIONS OVERALL

W 39 3/8"

D 34 1/4"

H 43 1/4"

COOKING AREA

31 1/8" x 23 5/8"

WGT

247 lbs

BRAVO WOOD FIRED PIZZA OVEN CART

40 INCH



OPTIONAL
3 PIECE TOOL SET

MODEL NUMBER

DESCRIPTION

RETAIL

UMRP

XOPIZZACART1

Pizza Oven Cart

\$1250

\$999

XOPIZZATOOL3

3 Piece Tool Set

\$375

\$299

XOGCOVER40PF

40" Pizza Oven + Cart Cover

\$195

\$149

FEATURES AND BENEFITS:

Sturdy construction - minimal assembly required

Two convenient center shelves

One for general use

One for handy wood storage

Designed and manufactured in Italy

24" slide out prep shelf

Side mounted tool storage rack

XOPIZZACART1 DIMENSIONS OVERALL

W 63 3/8"

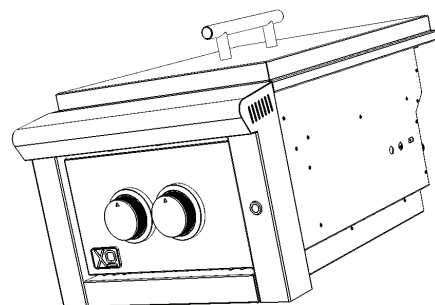
D 34 1/4"

H 79 1/4"

With Oven Mounted
Includes Side Shelf

PRO-GRADE LUXURY POWER BURNER

16 INCH



MODEL NUMBER	DESCRIPTION	RETAIL	UMRP
XOGPOWER60K <input type="checkbox"/>	16" 304 SS PRO-GRADE Designates Fuel Type N = Natural Gas L = Propane	\$1500	\$1199
XOGCOVERPB	16" Power Burner Vinyl Cover	\$50	\$39

BURNERS:

- (2) STAINLESS STEEL BURNER RINGS
- 25,000 BTU INNER RING
- 35,000 BTU OUTER RING

60,000 BTU TOTAL CAPACITY

REMOVABLE CENTER GRATE FOR WOK

POWER BURNER DIMENSIONS

OVERALL

W	16"
D	23"
H	14 1/4"

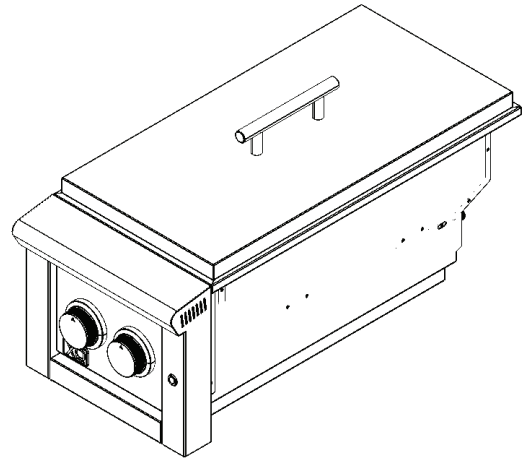
CUT OUT

W	15"
D	19"
H	10 1/2"

MAXIMUM PERFORMANCE - MINIMUM COUNTER SPACE

PRO-GRADE LUXURY SIDE BURNER

13 INCH



MODEL NUMBER	DESCRIPTION	RETAIL	UMRP
XOGSIDEBURN <input type="checkbox"/>	13" 304 SS TWIN BURNER Designates Fuel Type N = Natural Gas L = Propane	\$1125	\$899
XOGCOVERSB	13" Side Burner Vinyl Cover	\$40	\$29

BURNERS:

- (2) BRASS BURNERS
- 12,000 BTU FRONT RING
- 12,000 BTU REAR RING

- 24,000 BTU TOTAL CAPACITY

DOUBLE BURNER DIMENSIONS

OVERALL

W 13"

D 28 3/4"

H 14 1/4"

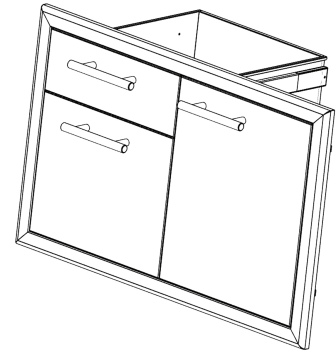
CUT OUT

W 12"

D 24 1/4"

H 10 1/2"

MAXIMUM PERFORMANCE - MINIMUM COUNTER SPACE



**36" W & 42" W
AVAILABLE**

MODEL NUMBER	DESCRIPTION	RETAIL	UMRP
XOG36COMBO	36" 304 SS DRAWER DOOR	\$1000	\$799
XOG42COMBO	42" 304 SS DRAWER DOOR	\$1125	\$899

DESCRIPTION:

DESIGNED FOR MAXIMUM ACCESS BELOW 36" AND 42" BUILT-IN GRILLS

XO PRO GRIP HANDLES

ALSO SEE:
DOUBLE DOOR UNITS
AVAILABLE IN 30", 36" & 42" SIZES

DRAWER UNITS
AVAILABLE IN 16" & 19" SIZES

**XOG36COMBO
DIMENSIONS
OVERALL**

W	36"
D	21 7/16"
H	23"

CUT OUT

W	34 1/4"
D	20 5/8"
H	19"

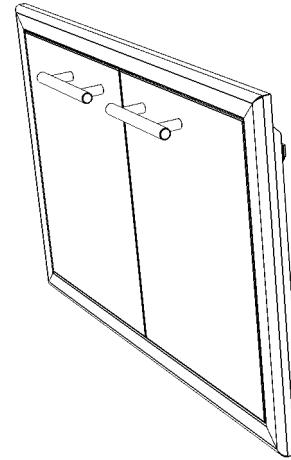
**XOG42COMBO
DIMENSIONS
OVERALL**

W	42 5/8"
D	23 3/16"
H	21 7/16"

CUT OUT

W	39 1/2"
D	20 5/8"
H	19"

PRO-GRADE LUXURY DOUBLE DOOR **30 | 36 | 42 INCH**



30" W
36" W
42" W
AVAILABLE

MODEL NUMBER	DESCRIPTION	RETAIL	UMRP
XOG30DD	30" 304 SS DOUBLE DOOR	\$515	\$409
XOG36DD	36" 304 SS DOUBLE DOOR	\$565	\$449
XOG42DD	42" 304 SS DOUBLE DOOR	\$625	\$499

**XOG30DD
 DIMENSIONS
 OVERALL**

W	30"
D	2 15/16"
H	23 3/8"

CUT OUT

W	25 1/8"
D	---
H	19"

**XOG36DD
 DIMENSIONS
 OVERALL**

W	36"
D	2 15/16"
H	23 3/8"

CUT OUT

W	31 5/8"
D	---
H	19"

**XOG42DD
 DIMENSIONS
 OVERALL**

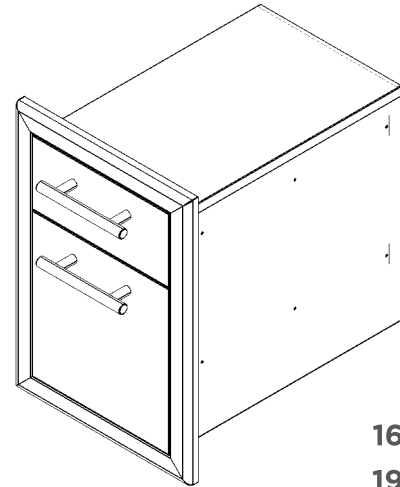
W	42"
D	2 15/16"
H	23 3/8"

CUT OUT

W	37 5/8"
D	---
H	19"

PRO-GRADE LUXURY DOUBLE DRAWER

16 | 19 INCH



16" W
19" W
AVAILABLE

MODEL NUMBER	DESCRIPTION	RETAIL	UMRP
XOG16DRAWER	16" 304 SS DOUBLE DRAWER	\$840	\$669
XOG19DRAWER	19" 304 SS DOUBLE DRAWER	\$940	\$749

**XOG16DRAWER
DIMENSIONS**

OVERALL

W	16"
D	21 7/8"
H	23"

CUT OUT

W	14"
D	20 5/8"
H	19"

**XOG19DRAWER
DIMENSIONS**

OVERALL

W	19 1/4"
D	21 7/8"
H	23"

CUT OUT

W	17 1/2"
D	20 5/8"
H	19"



18" TILT-OUT
Single Trash Bin



20" ROLL-OUT
Double Bin
Trash + Recycling

MODEL NUMBER	DESCRIPTION	RETAIL	UMRP
XOG18TRASH1	18" TILT OUT TRASH CENTER	\$875	\$699
XOG20TRASH2	20" ROLL OUT TRASH + RECYCLE	\$1000	\$799

**XOG18TRASH1
DIMENSIONS**

OVERALL

W	18 7/16"
D	13 1/2"
H	28 1/4"

CUT OUT

W	16"
D	13"
H	24"

**XOG20TRASH2
DIMENSIONS**

OVERALL

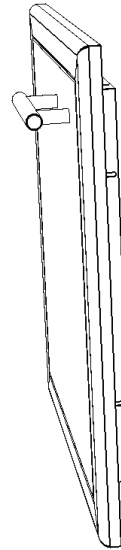
W	19 1/4"
D	25 1/2"
H	28"

CUT OUT

W	16 13/16"
D	24 3/4"
H	24"

PRO-GRADE LUXURY SINGLE DOOR

18 | 24 INCH



18" W
24" W
AVAILABLE

DOORS ARE NOT FIELD REVERSIBLE
SPECIFY HINGE LOCATION WHEN ORDERING

MODEL NUMBER	DESCRIPTION	RETAIL	UMRP
XOG18SD <input type="checkbox"/>	18" 304 SS SINGLE DOOR	\$340	\$269
Specify Hinge Location R or L Door Not Reversible			
XOG24SD <input type="checkbox"/>	24" 304 SS SINGLE DOOR	\$375	\$299
Specify Hinge Location R or L Door Not Reversible			

XOG18SD_
DIMENSIONS
OVERALL

W	18"
D	2 15/16"
H	23 3/8"

CUT OUT

W	13 5/8"
D	---
H	19"

XOG24SD_
DIMENSIONS
OVERALL

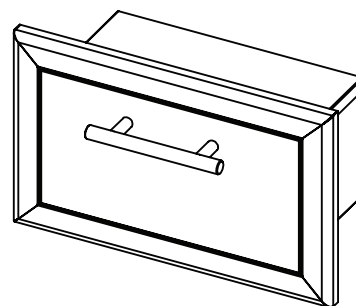
W	23 5/8"
D	2 15/16"
H	23 3/8"

CUT OUT

W	19 1/4"
D	---
H	19"

PRO-GRADE PAPER TOWEL HOLDER

18 INCH



MODEL NUMBER

XOG18PAPER

DESCRIPTION

18" 304 SS PAPER TOWEL HOLDER

RETAIL

\$340

UMRP

\$269

FEATURES:

Discrete and convenient

Out of the weather's reach

Matching fit and finish

Ready for quick clean-ups

Fits standard roll of paper towels

PAPER TOWEL DIMENSIONS

OVERALL

W 18-11/16"

D 7-13/16"*

H 11-13/16"

CUT OUT

W 14-1/2"

D 6-7/8"

H 7-1/4"

PRO-GRADE LUXURY OUTDOOR REFRIGERATOR

24 INCH



MODEL NUMBER	DESCRIPTION	RETAIL	UMRP
XOU24ORS <input type="checkbox"/>	24" SS OUTDOOR REFRIGERATOR	\$1750	\$1399
Specify Hinge Location R or L Door Not Reversible			



FEATURES AND BENEFITS:

- Glass shelves extend while loaded
- Holds up to 145 (12oz) cans
- Shelves quickly adjust to 6 different positions
- Tri-color LED interior lighting
- Secure door lock keeps uninvited guests out
- Intuitive digital temperature control from 34° to 50° F
- Flush installation design for under counter
- Stainless Steel Door
- XActive circulation removes odors and circulates air

XOU24ORS_	
DIMENSIONS	
OVERALL	
W	23 27/32"
D	23 1/4"
H	34 3/32"
CUT OUT	
W	24"
D	25"
H	34 1/4"

PRO-GRADE GOURMET CLEAR ICE MAKER

15 INCH



CUBE SIZE
1-1/4" x 1-1/4" x 1-3/8"

MODEL NUMBER	DESCRIPTION	RETAIL	UMRP
XOUI1565S	15" SS ICE MAKER STANDARD	\$2990	\$2299
XOUI1565SP	15" SS ICE MAKER w PUMP	\$3380	\$2599

FEATURES AND BENEFITS:

- Makes up to 65 lbs of Ice per day
- Stores up to 27 lbs of Ice
- Outdoor Rated
- Large, slow melting, crystal clear cube
- Available with or without factory installed drain pump
- Field reversible door
- Fingerprint resistant stainless
- Zero Clearance hinge
- Easy to spot blue ice scoop



OUTDOOR RATED

XOUI1565S DIMENSIONS

OVERALL

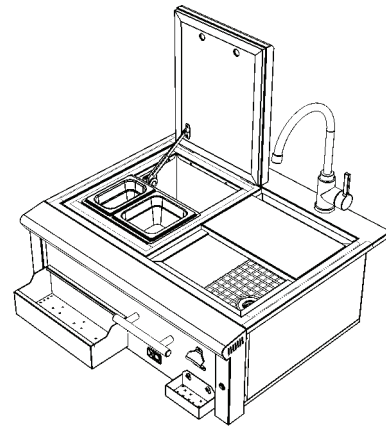
W	14- 17/8"
D	22-5/8"
H	33-3/4"

CUT OUT

W	15"
D	24"
H	34"

PRO-GRADE LUXURY COCKTAIL STATION

30 INCH



MODEL NUMBER

DESCRIPTION

RETAIL

UMRP

XOG30BARPRO

30" COCKTAIL STATION

\$2000

\$1599

XOGCOVERBAR

30" Bar Pro Vinyl Cover

\$100

\$79

FEATURES:

- Insulated Ice Bin with Cover
- Chilled Bins for Drink Garnishes
- Multi-Purpose 30" Sink with Hot/Cold Faucet
- Dramatic Blue LED Bullnose Lighting
- Ready Access Bottle Caddy
- Handy Towel Bar

Just add friends and family - mix well...

BAR PRO DIMENSIONS OVERALL

W 30"

D 27-7/16"

H 28-1/4"

CUT OUT

W 29-1/8"

D 24"

H 10 7/16"



MODEL NUMBER	DESCRIPTION	RETAIL	UMRP
XOG18SINK	18" 304 SS DROP IN SINK	\$750	\$599
XOG24SINK	24" 304 SS APRON SINK	\$1000	\$799

FEATURES

Matching Stainless Steel Covers
Hot/Cold Faucet

24" Apron Sink includes
Dramatic Blue LED Bullnose Lighting

XOG24SINK DIMENSIONS OVERALL		XOG18SINK DIMENSIONS OVERALL	
W	24"	W	18"
D	24 3/8"	D	22-3/16"
H	25 1/2"	H	25 1/2"
CUT OUT		CUT OUT	
W	21"	W	15-1/4"
D	22"	D	20-1/2"
H	10 7/16"	H	10 7/16"



DESIGNER MODULAR ISLANDS

Your Designer Outdoor Kitchen Island Arrives Fully Assembled for Fast Appliance Installation...

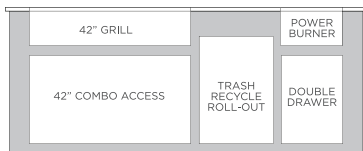


- Durable, Commercial Grade, Fiber Cement, Architectural Panel Finish
This solid, through color material provides a superior long lasting exterior
- Available in 3 Colors; Black, Gray and White
- White Carrera style quartz surface top
- Rugged welded steel interior frame
- Islands come with leveling legs installed
- Optional heavy duty castors available, sold separately
P/N XOGOKCASTORS set of (4) \$299

FROM



42" GRILL BASE - APPLIANCE READY



XOGOK42V1
LAYOUT

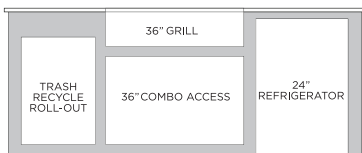
		UMRP
XOGOK42V1	Pre-Finished Appliance Ready Island	\$ 5999
XOGRILL42	42" Pro-Grade Grill Head	\$ 3999
XOG42COMBO	42" Combination Drawer/Access Door	\$ 899
XOG20TRASH2	20" Twin Bin Trash + Recycling Unit	\$ 799
XOGPOWER60K	60,000 BTU Twin Ring Power Burner	\$ 1199
XOG16DRAWER	16" Dual Drawer Unit	\$ 669
TOTAL WITH APPLIANCES:		\$13564

DIMENSIONS: 99" W x 30" D x 37" H

PREFINISHED ISLAND: APPROXIMATE WEIGHT 400 LBS BEFORE APPLIANCE INSTALLATION
 PRICES SHOWN DO NOT INCLUDE: Delivery, Utility Setup or Connection, Appliance Installation
 or applicable taxes or fees.

36" GRILL BASE - APPLIANCE READY

version 1



XOGOK36V1
LAYOUT

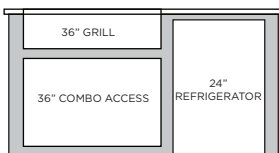
		UMRP
XOGOK36V1	Pre-Finished Appliance Ready Island	\$ 5999
XOGRILL36	36" Pro-Grade Grill Head	\$ 3399
XOG36COMBO	36" Combination Drawer/Access Door	\$ 799
XOG20TRASH2	20" Twin Bin Trash + Recycling Unit	\$ 799
XOU24ORSR	24" Outdoor Refrigerator	\$ 1399
TOTAL WITH APPLIANCES:		\$12395

DIMENSIONS: 99" W x 30" D x 37" H

PREFINISHED ISLAND: APPROXIMATE WEIGHT 400 LBS BEFORE APPLIANCE INSTALLATION
 PRICES SHOWN DO NOT INCLUDE: Delivery, Utility Setup or Connection, Appliance Installation
 or applicable taxes or fees.

36" GRILL BASE - APPLIANCE READY

version 2



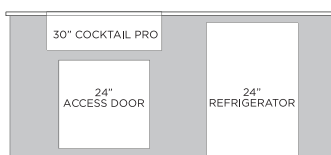
XOGOK36V2
LAYOUT

		UMRP
XOGOK36V2	Pre-Finished Appliance Ready Island	\$ 5999
XOGRILL36	36" Pro-Grade Grill Head	\$ 3399
XOG36COMBO	36" Combination Drawer/Access Door	\$ 799
XOU24ORSR	24" Outdoor Refrigerator	\$ 1399
TOTAL WITH APPLIANCES:		\$11596

DIMENSIONS: 80" W x 30" D x 37" H

PREFINISHED ISLAND: APPROXIMATE WEIGHT 400 LBS BEFORE APPLIANCE INSTALLATION
 PRICES SHOWN DO NOT INCLUDE: Delivery, Utility Setup or Connection, Appliance Installation
 or applicable taxes or fees.

ENTERTAINING BASE - APPLIANCE READY



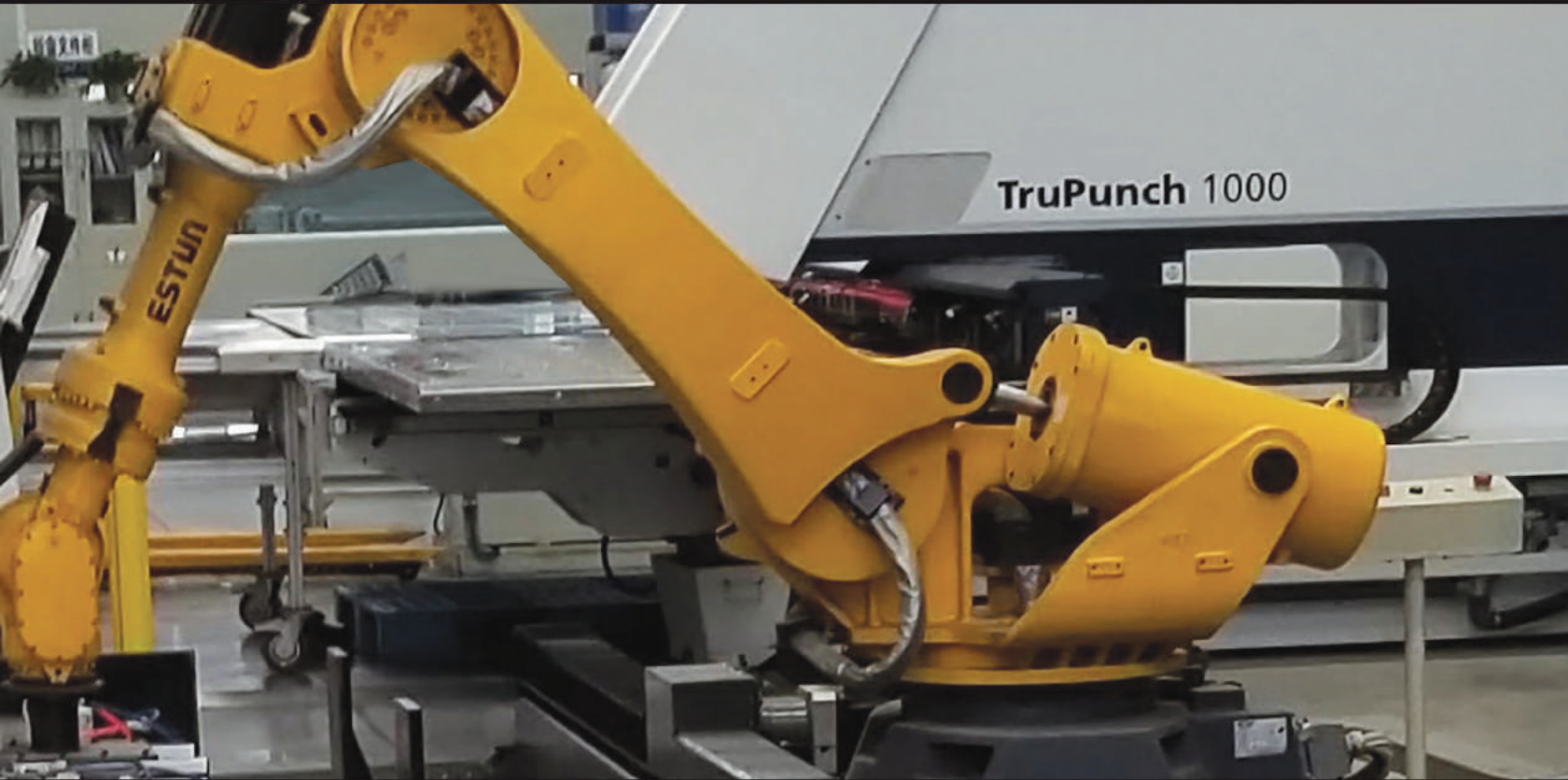
XOGOKBARV1
LAYOUT

		UMRP
XOGOKBARV1	Pre-Finished Appliance Ready Island	\$ 5999
XOG30BARPRO	30" Cocktail Station	\$ 1599
XOG24SD	24" Access Door	\$ 299
XOU24ORSR	24" Outdoor Refrigerator	\$ 1399
TOTAL WITH APPLIANCES:		\$ 9296

DIMENSIONS: 83 1/4" W x 30" D x 37" H

PREFINISHED ISLAND: APPROXIMATE WEIGHT 400 LBS BEFORE APPLIANCE INSTALLATION
 PRICES SHOWN DO NOT INCLUDE: Delivery, Utility Setup or Connection, Appliance Installation
 or applicable taxes or fees.

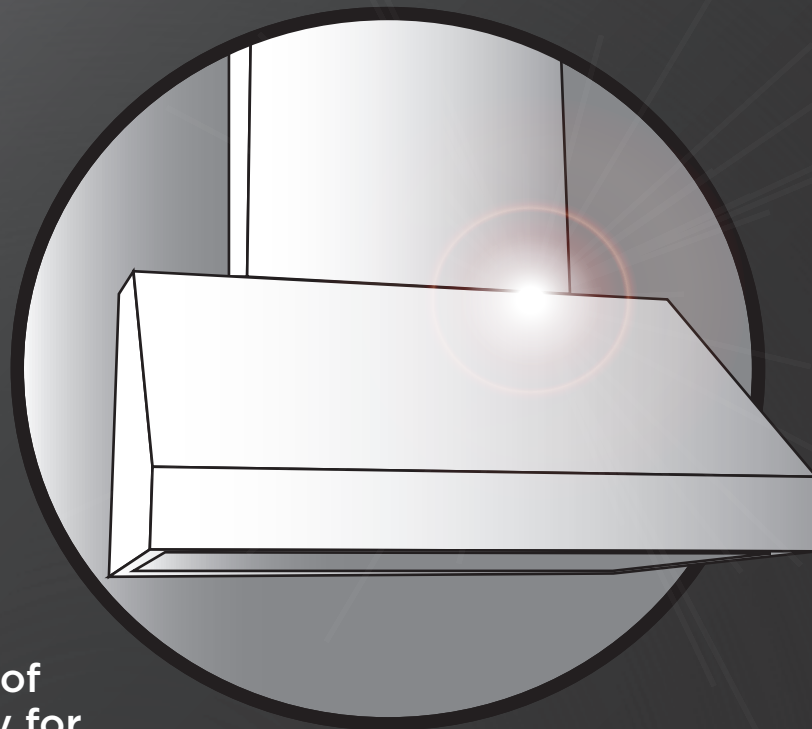
OUR STATE-OF-THE-ART ISO9002 FACTORY



MANUFACTURES EVERY XO MODEL TO THE STRICTEST QUALITY STANDARDS EACH AND EVERY XO PRODUCT IS THE RESULT OF A CAREFUL FUSION OF ROBOTIC PRECISION AND HAND CRAFTSMANSHIP DIRECTED BY CUSTOMER CENTRIC DESIGN AND FUELED BY 30 YEARS OF INDUSTRY EXPERIENCE.



The Future Is
Taking Shape
At **XO**



XO, a leader in Italian designed and built hoods will be introducing a new line of ventilation created specifically for the demands of the outdoor kitchen market. Look for the complete line in

2021



Award-Winning Luxury Appliance Service



SERVICE THAT EXCEEDS EXPECTATIONS

Even the best appliances occasionally need the attention and care of a qualified service technician. At EMC Service, we see to it that service representatives and installers have much more than just a cursory glance at a service manual. Our service and installation training, complete with manufacturer representatives working with live appliances, trains and certifies participants so that they may better fully diagnose a service issue.

Complementing their education is access to blow-up diagrams of every product as well as a fully stocked parts warehouse and repair workshop. Rush parts delivery is available. We are all committed to ensuring the best experience with our products at every level.

Service Area - Direct and 3rd Party Affiliate

NORTHEAST & MID-ATLANTIC



Eastern Marketing Service provides professional, factory trained field service and support in the red shaded areas.



All other markets are served by our 3rd party affiliates.

This capable team has the full support from Eastern Marketing Service Team. Service Training, Parts, Tech Help Line and quick warranty payments.

WHAT OUR CUSTOMERS SAY

The appointment process is painless, efficient, professional and thorough. The technician called in advance, arrived when he said he would, and stayed until the part was fixed. He was professional and friendly, ..."

"Great service from the first call to the timely repair. Much appreciated!"

"They are providing the best service. Kevin is amazing I really recommend them for a great service."

I love this company! Gina Ferrara who works in the service division is the best. She is knowledgeable, helpful and responds quickly to inquiries. You will not be disappointed."

Sophia got back to me twice almost immediately to set me up with a repair appointment. I was totally impressed and pleased it was so easy!!"

CALL 973-403-8900 -or- VIST US ONLINE AT WWW.XOAPPLIANCE.COM

XO Limited Warranties

Warranty Terms for XO - Residential Use Only XO stainless Steel Gas Grills and Burners

XO warrants their gas grills to be free from defects at time of purchase and for the periods specified below. The grill must be installed by a qualified technician and must be maintained and operated safely, in accordance with the instruction manual. This warranty applies to the original purchaser only and is non-transferable. All warranty repairs must be accomplished by a qualified gas appliance technician.

Limited Lifetime Warranty

XO warrants the cast stainless steel main burners and fabricated stainless steel housing to be free from defects in material and workmanship under normal residential use for the lifetime of this product. This warranty excludes discoloration, surface scratches, weather and atmospheric related staining, and minor surface rust and oxidation which are normal and may be expected with any outdoor product. The actual part will be repaired or replaced, free of charge, with the owner paying for all other costs including installation, labor, shipping and handling.

Five Year Limited Warranty

XO warrants the briquette trays, stainless steel grates, drip pans and gas valves to be free from defects in material and workmanship under normal residential use for a period of 5 years from the original date of purchase. The actual part will be repaired or replaced, free of charge, with the owner paying for all other costs including installation, labor, shipping and handling.

Two Year Limited Warranty

XO warrants all other grill components to be free from defects in material and workmanship under normal residential use for a period of 2 years from the original date of purchase. The actual part will be repaired or replaced, free of charge, with the owner paying for all other costs including installation, labor, shipping and handling.

One Year Limited Warranty

For a period of 1 year from the original date of purchase, XO will replace or repair parts found to be defective at no cost to the original purchaser. This includes the cost of shipping replacement parts and where necessary, service labor at prevailing local rates by an XO authorized service person. Service will be provided during normal business hours and must be authorized in advance by XO

Common Area Warranty

A 180 Day Warranty applies to applications where the use of the product extends beyond normal residential use such as bed and breakfast inns, private clubs, multidwelling condos and apartments. The actual part will be repaired or replaced, free of charge, with the owner paying for all other costs including labor, installation, shipping and handling. This warranty excludes all commercial locations such as restaurants and food service locations.

Warranty Limitations and Exclusions

This warranty shall apply only to products purchased and located within the continental United States and Canada. Warranty coverage begins on the original date of purchase and proof of date of purchase is required. In order to activate the warranty, we require you to register your purchase online at www.xoappliance.com within 90 days of purchase. This warranty applies only to the original owner and may not be transferred. This warranty does not apply to damages resulting from negligence, alteration, misuse, abuse, accident, natural disaster, loss of electrical power to the product for any reason, improper installation or improper operation, unauthorized adjustments or calibrations, dings, dents, scratches, or damages due to harsh cleaning chemicals. This warranty does not apply to commercial use or to products with altered or removed serial numbers. This warranty shall not be liable for incidental, consequential, special or contingent damages resulting from its breach of this written warranty or any implied warranty.

**FOR WARRANTY SERVICE & REPLACEMENT PARTS: check the contact & support section
of our website xoappliance.com, email us at service@xoappliance.com or call
1-800-966-8300
24 Eisenhower Parkway, Roseland, NJ 07068**



**PUT SOME
AWESOME
IN YOUR
BACKYARD...**

XO

WWW.XOAPPLIANCE.COM

PRICES SUBJECT TO CHANGE. NOT RESPONSIBLE FOR TYPOGRAPHICAL ERRORS.

XOCGRILL21V1