

F 2812 SF

MasterCool™ freezer

For high-end design and technology on a large scale.



- Push2open for convenient door-opening assistance
- Light floods the interior thanks to LED elements – BrilliantLight
- Fresh ice cubes from the IceMaker with plumbed water connection
- Communication with the machine could not be easier – WiFi Conn@ct
- Convenient control thanks to color touch display MasterSensor

EAN: 4002516321903 / material number: 11503350

| | |
|---|----------------------------|
| Appliance category | |
| Freezer | • |
| Construction type | |
| Built-in | • |
| Built-in integrated | • |
| Door hinge side | Left |
| Convertible hinging | • |
| Can be installed side-by-side | • |
| Design | |
| Front color | Stainless steel/CleanSteel |
| Lighting | BrilliantLight |
| Control panel | |
| NoFrost | • |
| NoFrost | • |
| SoftClose door closing damper | • |
| IceMaker with plumbed water connection | • |
| Push2open | • |
| FullAccess | • |
| EasyClean | • |
| MaxLoad hinge | • |
| Control | |
| Electronic temperature display and control | MasterSensor |
| SuperFrost | • |
| No. of temperature zones | 1 |
| Sabbath mode | • |
| Fridge / Fridge compartment | |
| Door baskets – small | 1 |
| Door baskets – large | 3 |
| Freezer / Freezer compartment | |
| Number of shelves | 2 |
| Number of freezer baskets | 2 |
| Efficiency and sustainability | |
| Energy Star Qualified | • |
| Appliance networking | |
| Miele@home | • |
| WiFiConn@ct | • |
| MobileControl | • |
| Safety | |
| Lock function | • |
| Acoustic door alarm | • |
| Acoustic temperature alarm, freezer section | • |
| Optical door alarm | • |
| Optical temperature alarm | • |

F 2812 SF

MasterCool™ freezer

For high-end design and technology on a large scale.

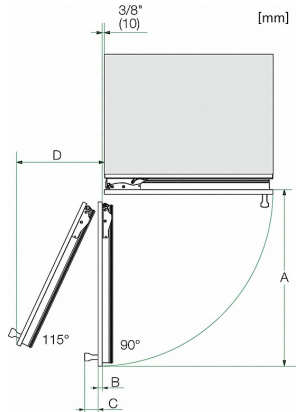


| Technical data | |
|---|----------------|
| Appliance width in in.(mm) | 29 7/8 (756) |
| Appliance height in in.(mm) | 83 3/4 (2,127) |
| Appliance depth in in.(mm) | 24 1/8 (610) |
| Weight in lbs.(kg) | 413 (187.00) |
| 4-star freezer compartment volume in l | 446 |
| Current consumption in milliampere (mA) | 4,000 |
| Voltage in V | 120 |
| Fuse rating in A | 10 |
| Wire length in ft (m) | 9 (3.0) |

F 2812 SF

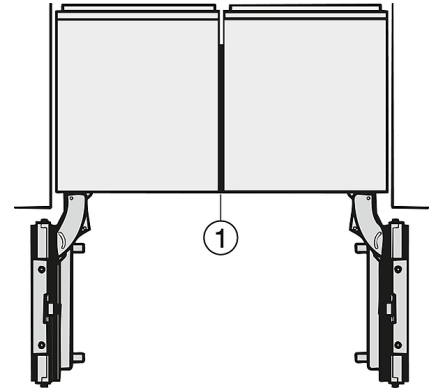
MasterCool™ freezer

For high-end design and technology on a large scale.



Opening angle 90°/115°, right side stop, MasterCool (Sketch) with footnote

- A) Appliance door
 F 2411 Vi, F 2411 SF, F 2471 Vi, F 2471 SF: 525 mm (20 2/3 inch);
 F 2412 Vi, F 2412 SF, F 2472 Vi, F 2472 SF: 525 mm (20 2/3 inch);
 K 2611 Vi, F 2671 Vi, F 2671 SF, KWT 2611 Vi, KWT 2611 SF, KWT 2671 ViS: 677 mm (26 2/3 inch);
 K 2612 Vi, F 2672 Vi, F 2672 SF, KWT 2612 Vi, KWT 2612 SF, KWT 2672 ViS: 677 mm (26 2/3 inch);
 K 2811 Vi, K 2811 SF, F 2811 SF, F 2811 Vi, KF 2811 Vi, KF 2811 SF: 829 mm (32 2/3 inch);
 K 2812 Vi, K 2812 SF, F 2812 SF, F 2812 Vi, KF 2812 Vi, KF 2812 SF: 829 mm (32 2/3 inch);
 K 2911 Vi, K 2911 SF, F 2911 Vi, F 2911 SF, KF 2911 Vi, KF 2911 SF: 982 mm (38 2/3 inch);
 K 2912 Vi, K 2912 SF, F 2912 Vi, F 2912 SF, KF 2912 Vi, KF 2912 SF: 982 mm (38 2/3 inch);
 B) Furniture front (max. 38 mm) (1 1/2 inch)
 C) Door handle
 D) Distance from the door to the wall (without furniture front and door handle):
 F 2411 Vi, F 2411 SF, F 2471 Vi, F 2471 SF: 237 mm (9 1/3 inch);
 F 2412 Vi, F 2412 SF, F 2472 Vi, F 2472 SF: 237 mm (9 1/3 inch);
 K 2611 Vi, F 2671 Vi, F 2671 SF, KWT 2611 Vi, KWT 2611 SF, KWT 2671 ViS: 296 mm (11 2/3 inch);
 K 2612 Vi, F 2672 Vi, F 2672 SF, KWT 2612 Vi, KWT 2612 SF, KWT 2672 ViS: 296 mm (11 2/3 inch);
 K 2811 Vi, K 2811 SF, F 2811 SF, F 2811 Vi, KF 2811 Vi, KF 2811 SF: 363 mm (14 1/3 inch);
 K 2812 Vi, K 2812 SF, F 2812 SF, F 2812 Vi, KF 2812 Vi, KF 2812 SF: 363 mm (14 1/3 inch);
 K 2911 Vi, K 2911 SF, F 2911 Vi, F 2911 SF, KF 2911 Vi, KF 2911 SF: 428 mm (16 7/8 inch);
 K 2912 Vi, K 2912 SF, F 2912 Vi, F 2912 SF, KF 2912 Vi, KF 2912 SF: 428 mm (16 7/8 inch);
 E) ONLY valid for SF versions: A + 25 mm (1 inch)



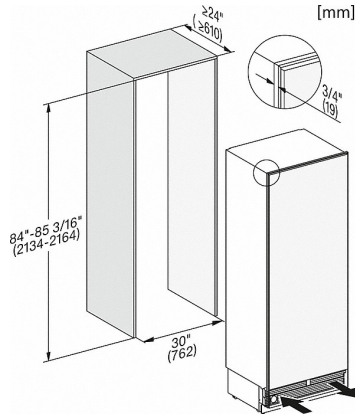
Side-by-side, MasterCool, without partition wall, with heating mat (Sketch) (with footnote)

- 1) Heating mat KSK 2001 (EU, AUS, CN) or KSK 2002 (US, CA, MX, BR)

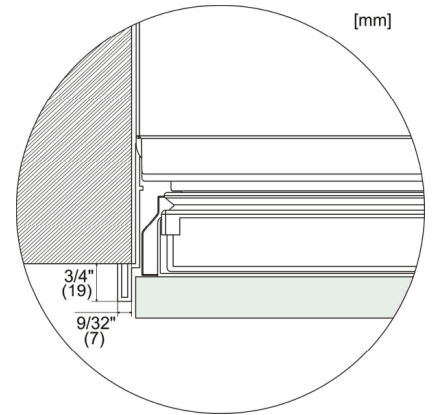
F 2812 SF

MasterCool™ freezer

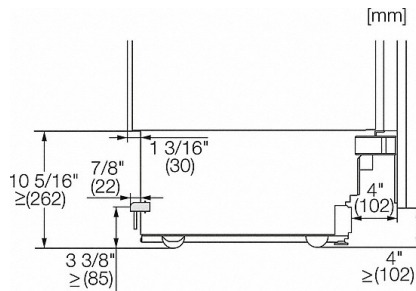
For high-end design and technology on a large scale.



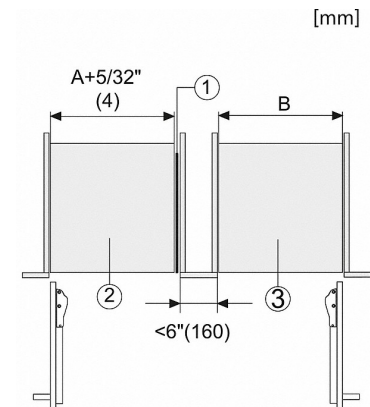
F2812SF, F2811SF, MasterCool II, installation drawings (US, CA)



MasterCool, top view, doorway, installation drawings

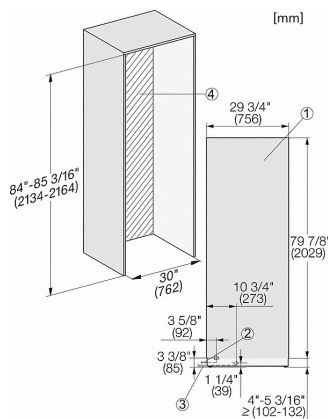


Sideview, MasterCool, Sketch



Side-by-Side, MasterCool, footnote, installation drawings

- 1. KSK 2001/2002
- 2. Device A
- 3. Device B
- A = niche device A
- B = niche device B

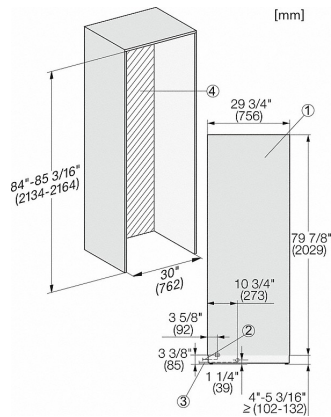


F2802Vi, F2812Vi, F2812SF, F2801Vi, F2811Vi, F2811SF, installation, MasterCool, installation drawings

F 2812 SF

MasterCool™ freezer

For high-end design and technology on a large scale.



1. View from the front
2. Mains Connection cable, L = 3000 mm (118 inch)
3. Water inlet position, L = 2000 mm (not for KON USA)
4. No water/ELT connections permitted in this area