

# RF29BB8900

SAMSUNG

## Bespoke 4-Door French Door Refrigerator (29 cu. ft.) with Family Hub™



This product is available in fixed color(s) only. Panels can be purchased separately and changed in any of the colors shown below. Family Hub Panel is not interchangeable.

### Signature Features

#### Customizable Door Colors

Customize the design of your refrigerator with changeable door panels. Choose from a variety of colors and two finishes to create a space that fits your style.

#### Family Hub™

Samsung's Family Hub™ refrigerator helps you connect to what's most important: your family and home. Family Hub™ lets you see inside your refrigerator, manage your family's calendars, stream music, see who's at the front door and much more, all right from your fridge.

#### Beverage Center™

Quick access to refreshingly cool, filtered water two ways. Choose from an internal dispenser or a built-in pitcher that automatically refills, with the option to infuse with a flavor.

#### Extra-large Capacity

With 29 cu. ft. of capacity, this spacious refrigerator is designed for convenience, offering flexibility and organization to store and access all your favorite foods with ease.

### Bespoke 4-Door Refrigerator Standard Color Models



White Glass



Charcoal Glass Top and Family Hub™  
Panels with Matte Black Steel Middle  
and Bottom Panels



Charcoal Glass Top and Family Hub™  
Panels with Stainless Steel Middle  
and Bottom Panels

### Bespoke Panel Color Selection

Stainless Steel

Charcoal Glass

Matte Black  
Steel

White Glass

Morning Blue  
Glass



### Design

- Customizable Door Colors
- Modern Design
- Recessed Handle

### Technology

- Family Hub™
- Beverage Center™
- Wi-Fi Enabled

### Performance

- Dual Ice Maker with Ice Bites
- FlexZone™ Drawer
- Metal Cooling
- 29 cu. ft. Capacity
- Twin Cooling Plus

### Rating



ENERGY STAR® rated:  
683 kWh/yr

# RF29BB8900

**SAMSUNG**

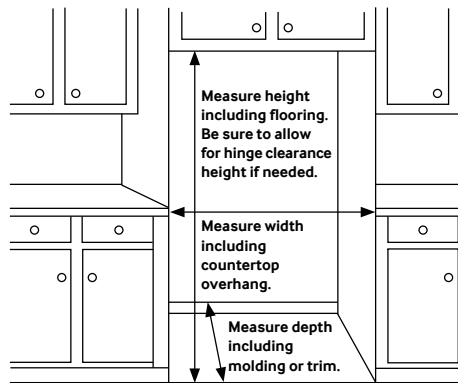
## Bespoke 4-Door French Door Refrigerator (29 cu. ft.) with Family Hub™

### Installation Specifications

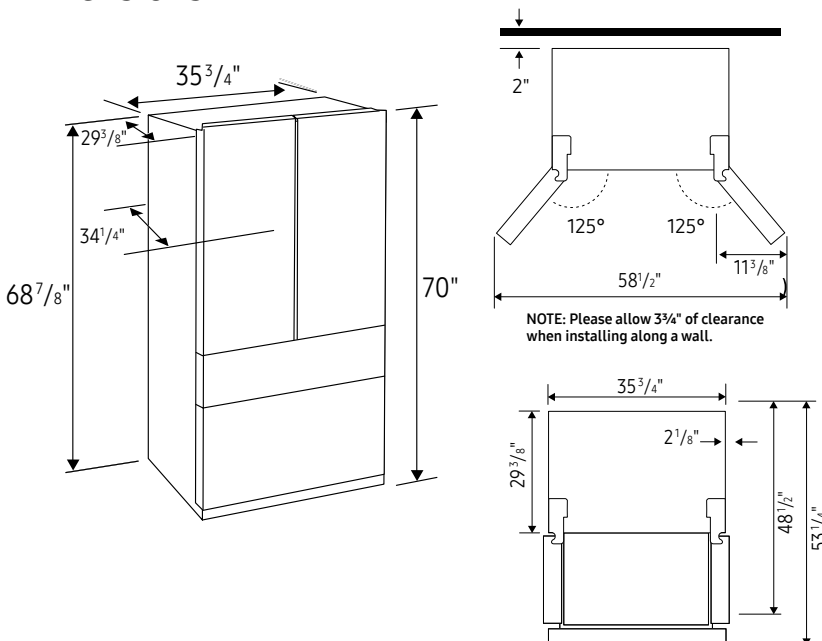
1. Measure the height, width and depth of the opening, making sure to include baseboards, molding tile, countertop overhang, etc. Check to be sure there is enough room to open the door (consider walls, islands or other obstacles when measuring).
2. Refer to illustration below to determine dimensions.
3. Allow 2.5" of clearance on hinge side of refrigerator when installing next to a wall where handle may make contact.
4. Allow 2" minimum clearance at rear for proper air circulation and water/electrical connections. Allow a 3/8" minimum clearance at sides and top for ease of installation.
5. Ensure each door and entryway in the home is wide enough for the refrigerator to be moved through easily.

For optimal usage and ability to open refrigerator doors completely, do not install next to a wall.

Please note: The following dimension and cutout information is for planning purposes only. For complete installation details, consult manual packed with product, or download manual online at [samsung.com](http://samsung.com).



### Dimensions



**Total Capacity: 28.6 cu. ft.**

**Refrigerator: 16.5 cu. ft.**

- 4 Tempered Glass Spill-Proof Shelves
- 2 Clear Drawers, Including Crisper+
- 6 Door Bins  
Right: 1 Gallon Bin, 2 Regular Bins  
Left: 3 Regular Bins
- Surface Lighting

**FlexZone™ Drawer: 3.1 cu. ft.**

- 5 Temperature Zones
  - Soft Freeze (23°F)
  - Meat/Fish (30°F)
  - Cold Drinks (34°F)
  - Deli/Snacks (37°F)
  - Wine/Party Dishes (41°F)
- 2 Drawer Dividers
- High Efficiency LED Lighting

**Freezer: 9.0 cu. ft.**

- Dual Ice Maker in Freezer (Cubed Ice AND Ice Bites)
- Ice Bucket with Cover and 1 Scoop
- Produces up to 5.3 lbs ice/day, stores up to 9.9 lbs
- High Efficiency LED Lighting

### Accessories

Water Filter: HAF-QIN

### Warranty

One (1) Year Parts and Labor on Refrigerator

Five (5) Years Parts and Labor on Sealed Refrigeration System Only\*

Ten (10) Years Parts and Five (5) Years

Labor on Digital Inverter Compressor

\*Compressor, evaporator, condenser, drier and connecting tubing.

### Product Dimensions

Dimensions (WxHxD with hinges and doors):

35 3/4" x 70" x 34 1/4"

Dimensions (WxHxD without hinges and door):

35 3/4" x 68 7/8" x 29 3/8"

### Shipping Dimensions (WxHxD)

Dimensions: 38 1/4" x 75 3/4" x 36 1/4"

Color	Model #	UPC Code	Product & Shipping Weight (lbs)	
Charcoal Glass Top and Family Hub™ Panels with Matte Black Steel Middle and Bottom Panels	RF29BB89008M	887276639864	374.8	399
White Glass	RF29BB890012	887276789965	374.8	399
Charcoal Glass Top and Family Hub™ Panels with Stainless Steel Middle and Bottom Panels	RF29BB8900QK	887276872780	374.8	399