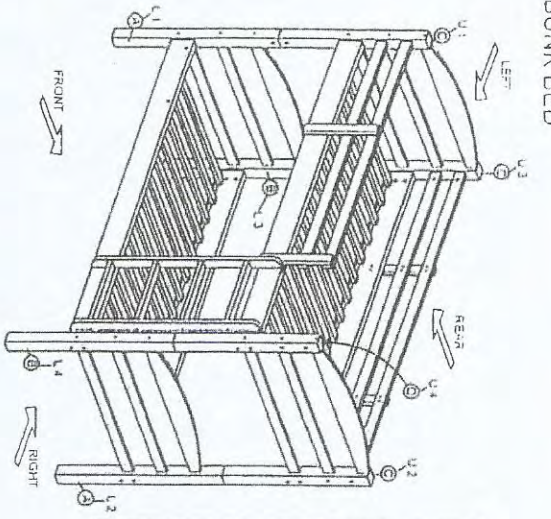


ASSEMBLY INSTRUCTION



ASSEMBLY TIPS:

1. Remove hardware from box and sort by size
2. Please check to see that all hardware and parts are present prior start or assembly
3. Please follow attached instructions in the same sequence as numbered to assure fast and easy assembly

Warning!

1. Don't attempt to repair or modify parts that are broken or defective. Please contact the store immediately
2. This product is for home use only and not intended for commercial establishments

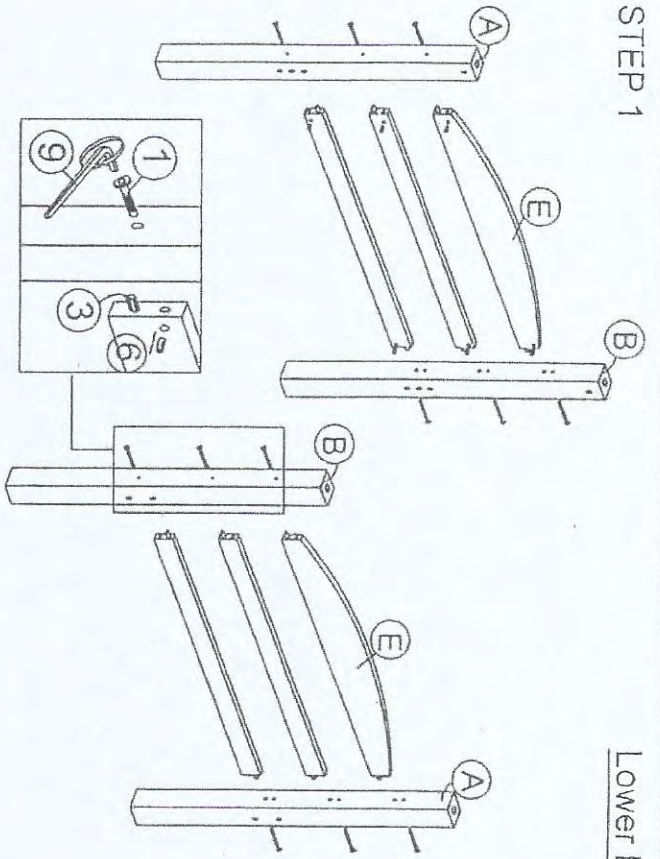
HARDWARE LIST

1	JCBC M6 X 90mm	46PCS	6	M6 X 13 Barrel Nut	46PCS
2	JCBC M6 X 30mm	24PCS	7	JCBC M6 X 40mm	34PCS
3	M10 X 40mm Wood Dowel	40PCS	8	M10 X 100mm Metal Pin	4 PCS
4	M4 X 32mm Pen Head Screw	36PCS	9	M4 AllenKey	1 Pc
5	M4 X 16mm Pen Head Screw	2 PCS			

COMPONENT LIST

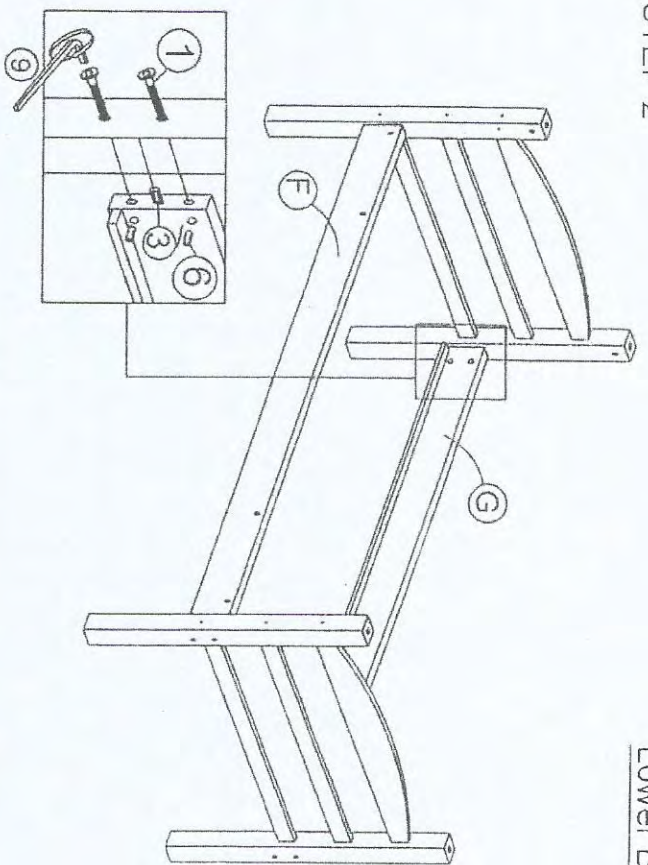
A	L1 & L2 Lower Leg (Left Front & Right Rear)	2 PCS	I	Guard Rail (Rear)	2 PCS
B	L3 & L4 Lower Leg (Left Rear & Right Front)	2 PCS	J	Guard Rail (Front)	2 PCS
C	U1 & U2 Upper Leg (Left Front & Right Rear)	2 PCS	K	Guard Rail Support	4 PCS
D	U3 & U4 Upper Leg (Left Rear & Right Front)	2 PCS	L	2 Sets	2 Sets
E	Headboard / Footboard Frame	4 Sets	M	Ladder Rail (Left)	1 PC
F	Lower Front Side Rail(Extra Hole)	1 PC	N	Ladder Rail (Right)	1 PC
G	Lower Rear Side Rail	1 PC	O	Ladder Stretcher	4 PCS
H	Upper Side Rail	2 PCS			

STEP 1



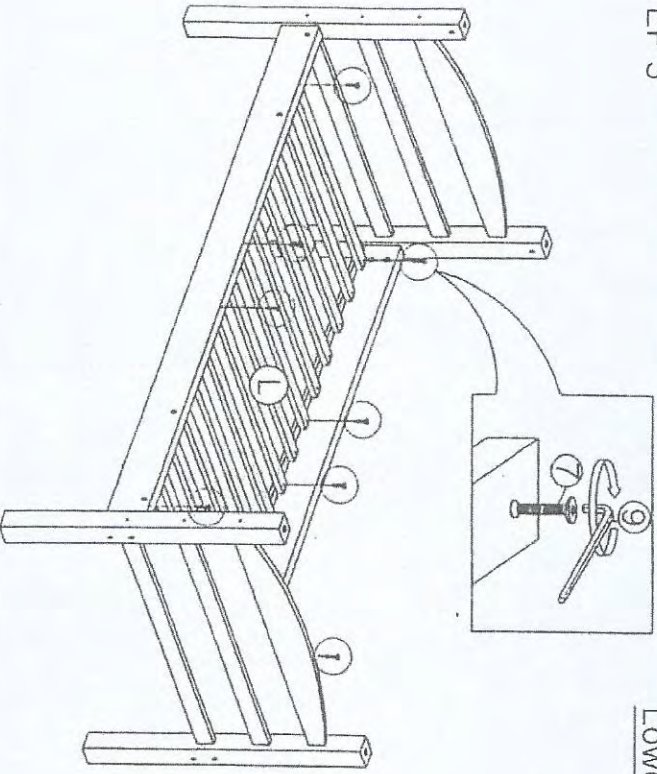
Lower Bed

STEP 2



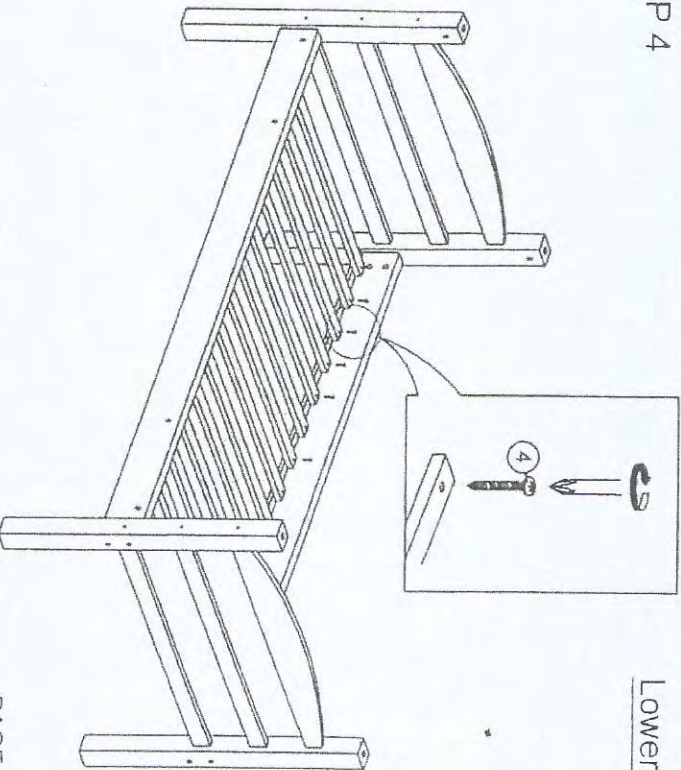
Lower Bed

STEP 3



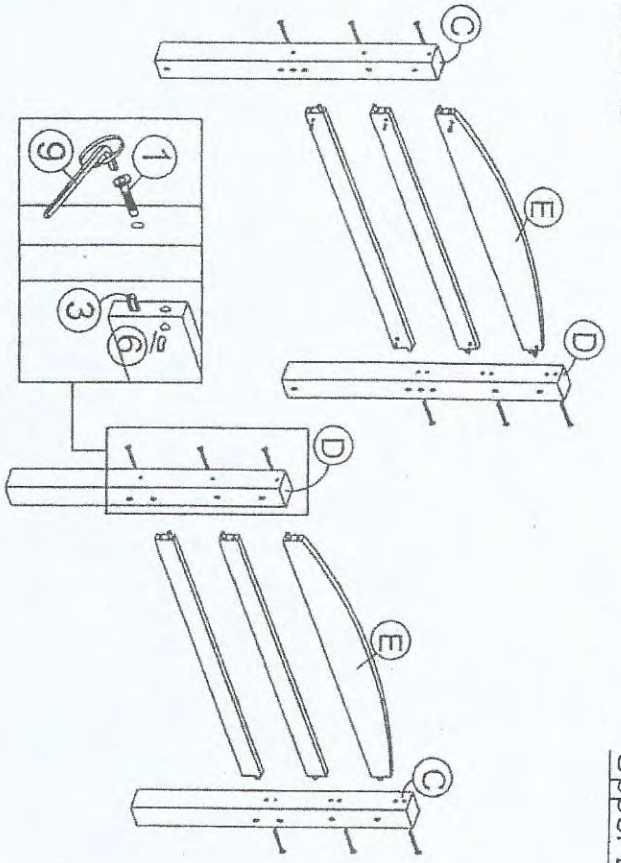
Lower Bed

STEP 4



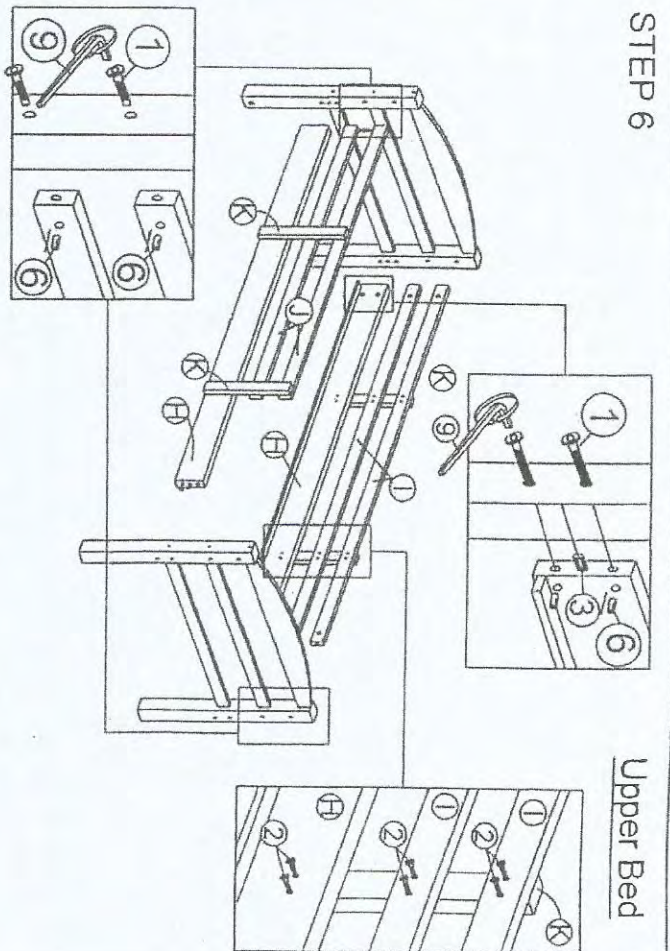
Lower Bed

STEP 5



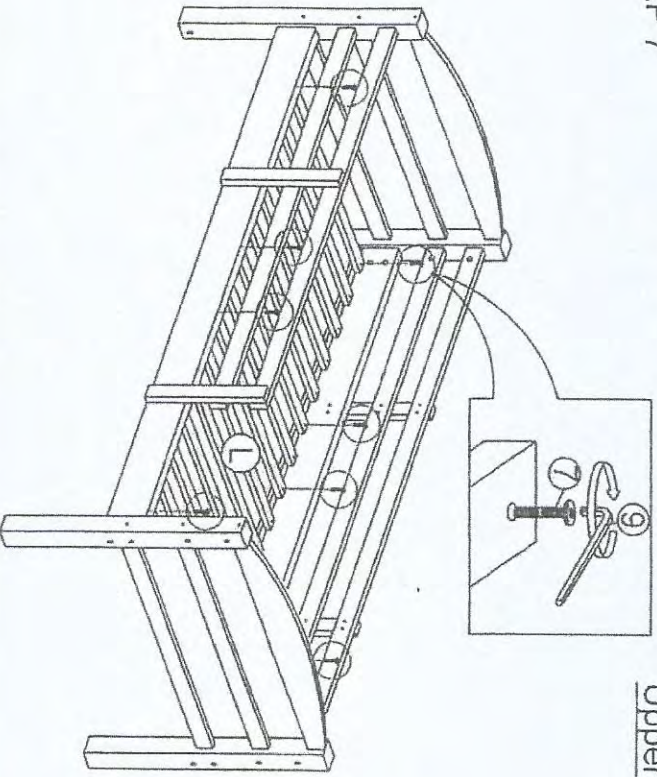
Upper Bed

STEP 6



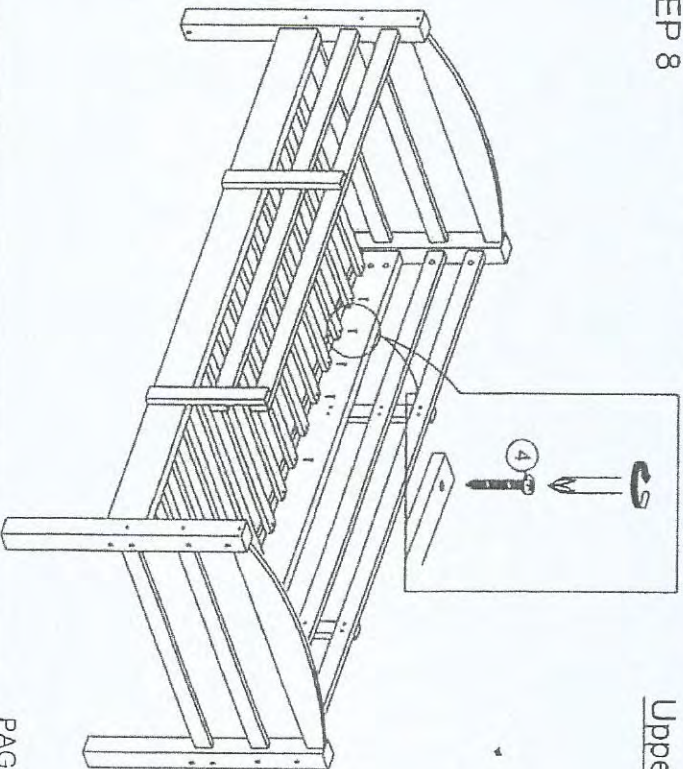
Upper Bed

STEP 7



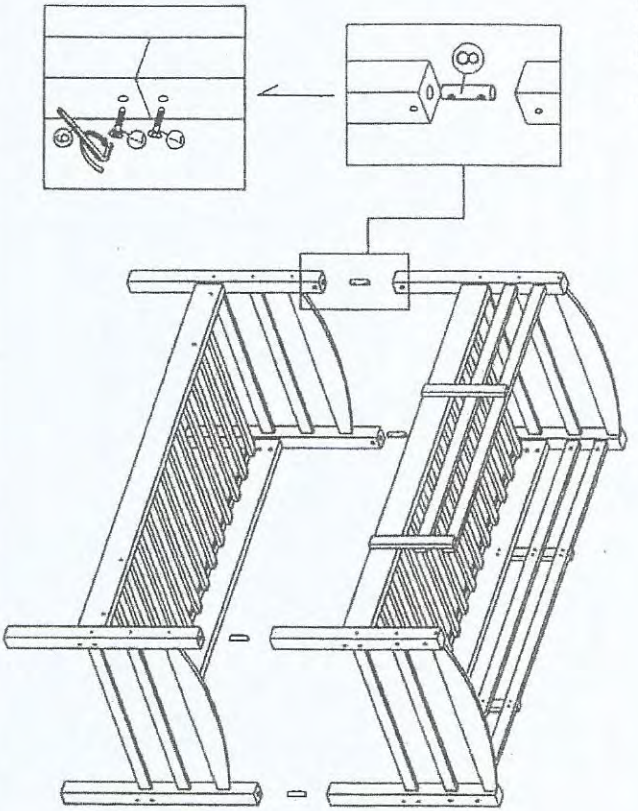
Upper Bed

STEP 8

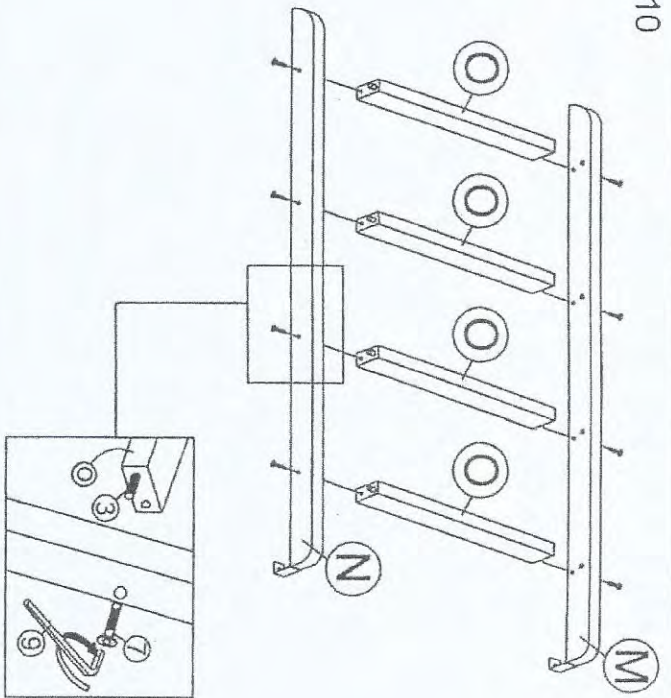


Upper Bed

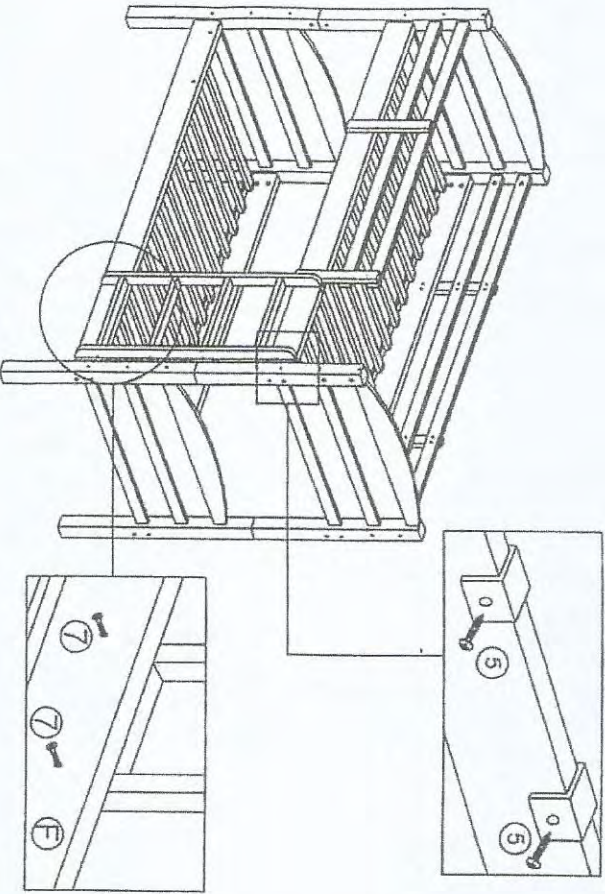
STEP 9



STEP 10



STEP 11



STEP 12

NOTE: The Front Guard Rail can be assembled so that the Ladder can be on the Left or Right hand side.

STYLE 1

STYLE 2

