

XO

PUT SOME AWESOME
IN YOUR BACKYARD

XOGSIDEBURN

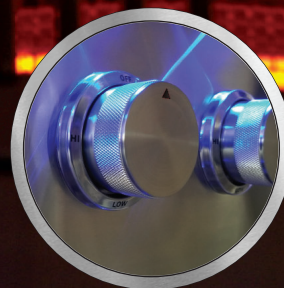
13" PRO GRADE LUXURY SIDE BURNER



More Power
in Less
Counter Space



Twin
Burner
Design



Powerful LED
control lights

YOUR XO PRO GRADE LUXURY SIDE BURNER

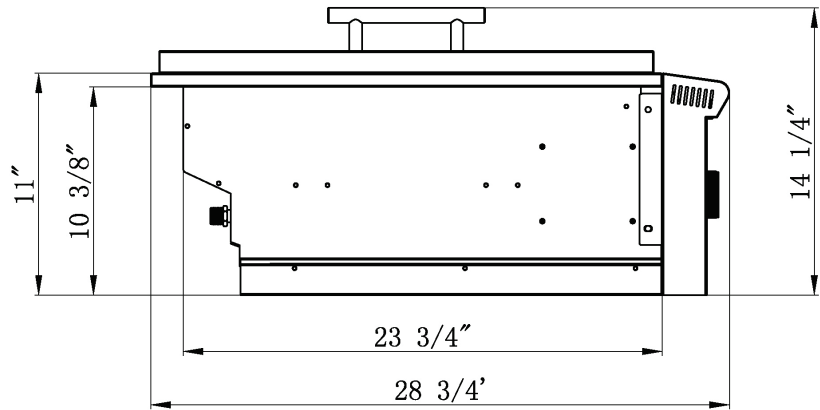
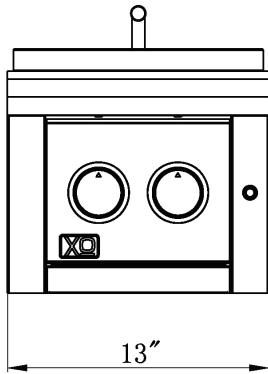
Side dishes make the meal and with two 12,000 BTU burners at your disposal - your grill time will never miss a beat. This XO quality accessory for your outdoor kitchen is ready to deliver. Crafted from high quality 304 stainless steel to provide years of service - the XOGSIDEBURN is the perfect way to keep things bubbling while minding the grill.

www.xoappliance.com

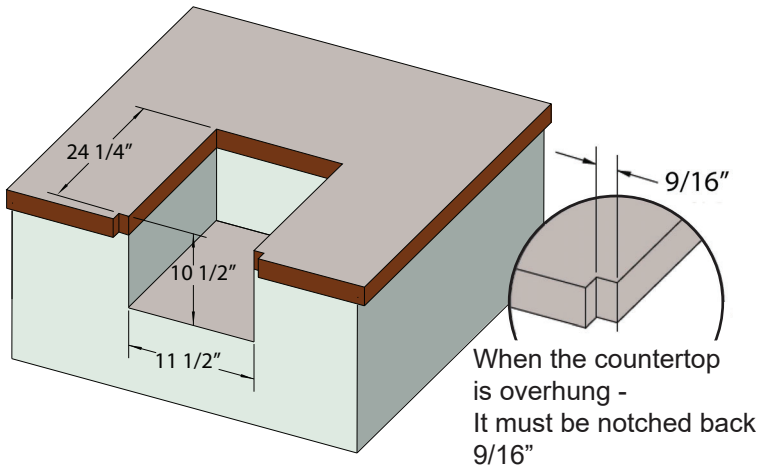
MODEL: XOGSIDEBURN

13" PRO GRADE SIDE BURNER

*Specify **N** for natural gas, **L** for liquid propane



BUILT-IN CUT OUT



SPECIFICATIONS

Size	13"
Dimensions	13"W x 28 3/4"D x 14 1/4"H
Installation Type	Built-in
Fuel	Specify Natural Gas or Propane
Burners	Twin Ring Design Front Ring 12,000 BTU Rear Ring 12,000 BTU Total 24,000 BTU
Electrical	115V (for lighting)

When installing, observe all clearances between the burner and adjacent structures as detailed in the Operating and Instruction manual.

Failure to do so may create a serious risk of fire or injury.

XOGSIDEBURNSPECrevA
9/2019
Not responsible for typographical errors or misprints

XO the next level
in luxury appliances
www.xoappliance.com



XO is exclusively distributed through
EASTERN MARKETING CORP.
24 Eisenhower Parkway, Roseland, NJ 07068
p. 973.403.8900