



# DISHWASHERS

**SAFETY INFORMATION** .....4

**USING THE DISHWASHER**

Getting Started.....6

Dispensers.....10

Appliance Communications .....12

Loading .....13

**CARE AND CLEANING** .....19

**TROUBLESHOOTING TIPS**.....21

**LIMITED WARRANTY** .....25

**CONSUMER SUPPORT** ..... 26

## OWNER'S MANUAL

GD\*650-670 Series

PD\*715 Series

Includes:

GE® Series

GE Profile™ Series

**ENGLISH/FRANÇAIS/  
ESPAÑOL**

Write the model and serial numbers here:

Model # \_\_\_\_\_

Serial # \_\_\_\_\_

You can find them on a label on the tub wall just inside the door.

## **THANK YOU FOR MAKING GE APPLIANCES A PART OF YOUR HOME.**

---

Whether you grew up with GE Appliances, or this is your first, we're happy to have you in the family.

We take pride in the craftsmanship, innovation and design that goes into every GE Appliances product, and we think you will too. Among other things, registration of your appliance ensures that we can deliver important product information and warranty details when you need them.

Register your GE appliance now online. Helpful websites and phone numbers are available in the Consumer Support section of this Owner's Manual. You may also mail in the pre-printed registration card included in the packing material.





# IMPORTANT SAFETY INFORMATION

## READ ALL INSTRUCTIONS BEFORE USING THE APPLIANCE

**▲WARNING** For your safety, the information in this manual must be followed to minimize the risk of fire, explosion, electric shock, and to prevent property damage, personal injury, or death.

### **▲WARNING** PROPER INSTALLATION AND MAINTENANCE

This dishwasher must be properly installed and located in accordance with the Installation Instructions before it is used. If you did not receive an Installation Instructions sheet with your dishwasher, you can receive one by visiting our Website at [GEAppliances.com](http://GEAppliances.com). In Canada, visit [www.GEAppliances.ca](http://www.GEAppliances.ca).

- Connect the dishwasher/appliance to a grounded metal, permanent wiring system; or run an equipment-grounding conductor with the circuit conductors and connect to the equipment-grounding terminal or lead of the appliance.
- Improper connection of the equipment-grounding conductor can result in a risk of electric shock. Check with a qualified electrician or service representative if you are in doubt whether the appliance is properly grounded.
- Detailed grounding instructions can be found in the "PREPARE ELECTRICAL WIRING" section of the Installation Instructions.
- Dispose of discarded appliances and shipping or packing material properly.
- Do not attempt to repair or replace any part of your dishwasher unless it is specifically recommended in this manual. All other servicing should be referred to a qualified technician.
- Use only cord kit WX09X70910 or hard-wire to building electrical. Failure to follow this instruction, could result in risk of fire and personal injury.
- To minimize the possibility of electric shock, disconnect this appliance from the power supply before attempting any maintenance.

**NOTE:** Turning the dishwasher off does not disconnect the appliance from the power supply. We recommend having a qualified technician service your appliance.

### **▲WARNING** WHEN USING YOUR DISHWASHER, FOLLOW BASIC PRECAUTIONS, INCLUDING THE FOLLOWING:

- Use this appliance only for its intended purpose as described in this Owner's Manual.
- Use only detergents or wetting agents recommended for use in a dishwasher and keep them out of reach of children. Using a detergent that is not specifically designed for dishwashers will cause the dishwasher to fill with suds.
- Locate sharp items so that they are not likely to damage the door seal.
- Load sharp knives with the handles up to reduce the risk of cut-type injuries.
- Do not wash plastic items unless marked dishwasher safe or the equivalent. For plastic items not so marked, check the manufacturer's recommendations.
- Do not touch the heating element during or immediately after use.
- Do not operate your dishwasher unless all enclosure panels are properly in place.
- Do not tamper with controls.
- Do not abuse, sit on or stand on the door or dish rack of the dishwasher.
- To reduce the risk of injury, do not allow children to play with, on or inside this appliance at any time.
- Do not store or use combustible materials including gasoline or other flammable liquids or vapors in the vicinity of this or any other appliance.
- Small parts, such as rack clips and filter retaining posts, can be a choke hazard to small children if removed from the dishwasher. Keep out of reach of small children.

### **Proper Disposal of your Appliance**

- Dispose of or recycle your appliance in accordance with Federal and Local Regulations. Contact your local authorities for the environmentally safe disposal or recycling of your appliance.
- Consider recycling options for your appliance packaging material.

## READ AND SAVE THESE INSTRUCTIONS



# IMPORTANT SAFETY INFORMATION

## READ ALL INSTRUCTIONS BEFORE USING THE APPLIANCE

### **▲WARNING WATER HEATER SAFETY**

Under certain conditions, hydrogen gas may be produced in a water heater that has not been used for two or more weeks. **HYDROGEN GAS IS EXPLOSIVE.**

If the hot water has not been used for two or more weeks, prevent the possibility of damage or injury by turning on all hot water faucets and allowing them to run for several minutes. Do this before using any electrical appliance connected to the hot water system. This simple procedure will allow any built-up hydrogen gas to escape. Since the gas is flammable, do not smoke, use an open flame, or use the appliance during this process.

### **▲WARNING RISK OF CHILD ENTRAPMENT**

#### **PROPER DISPOSAL OF THE DISHWASHER**

Junked or abandoned dishwashers are dangerous...even if they will sit for “just a few days.” If you are getting rid of your dishwasher, please follow the instructions below to help prevent accidents.

- Do not allow children to play with, on, or inside this or any discarded appliance.
- Take off the door of the washing compartment.

### **▲CAUTION TO PREVENT MINOR INJURY AND PROPERTY DAMAGE**

- During or after wash cycle, contents may be hot to the touch. Use care before handling.
- Close supervision is necessary if this appliance is used by or near children. Do not allow children to play around the dishwasher when closing the door, closing the upper rack, or while vertically adjusting the upper rack due to the possibility of small fingers being pinched.
- Non-Dishware Items: Do not wash items such as electronic air cleaner filters, furnace filters and paint brushes in your dishwasher. Damage to the dishwasher and discoloration or staining of the dishwasher may result.
- Load light-weight, plastic items so they do not become dislodged and drop to the bottom of the dishwasher—they might come into contact with the heating element and be damaged.

### **ELECTRICAL REQUIREMENTS**

Be sure that the electrical connection and wire size are adequate and in conformance with the National Electric Code, ANSI/NFPA 70 – latest edition, and all local codes and ordinances.

#### **This appliance must have:**

- 120V, 60Hz, AC-only, 15-ampere or 20-ampere, fused electrical supply.
- Wiring must be 2 wire with ground and rated for 75°C (167°F).

- If the electrical supply does not meet the above requirements, call a licensed electrician before proceeding.

#### **It is recommended to have:**

- A circuit breaker or time-delay fuse.
- A properly grounded individual branch circuit.

### **▲NOTICE**

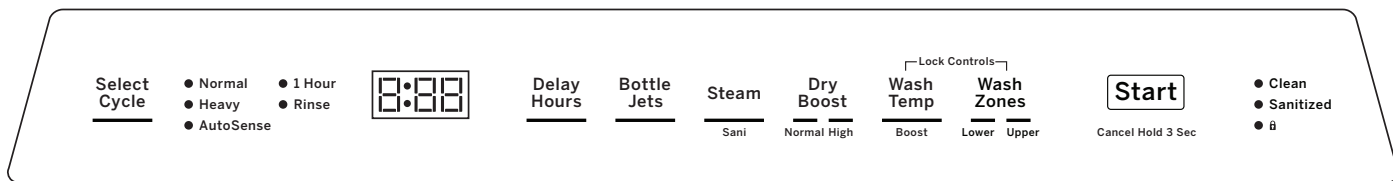
- If your dishwasher is connected to a wall switch, ensure that the switch is on prior to use.
- If you choose to turn the wall switch off between wash cycles, allow 5-10 seconds after turning the switch on before touching **Start** to allow the control to initialize.
- Use only powder, **Cascade® Platinum™ ActionPacs™** or **Finish® Quantum® Automatic Dishwashing Detergent**, liquid detergents or rinse agents recommended for use in a dishwasher and keep them out of the reach of children. **Cascade® Platinum™ ActionPacs™** or **Finish® Quantum® Automatic Dishwashing Detergent**, and **Cascade® Platinum™ Power Dry™ Rinse Aid** or **Finish® Jet-Dry® Rinse Aid** rinse agents have been approved for use in all GE Appliances dishwashers.

## READ AND SAVE THESE INSTRUCTIONS

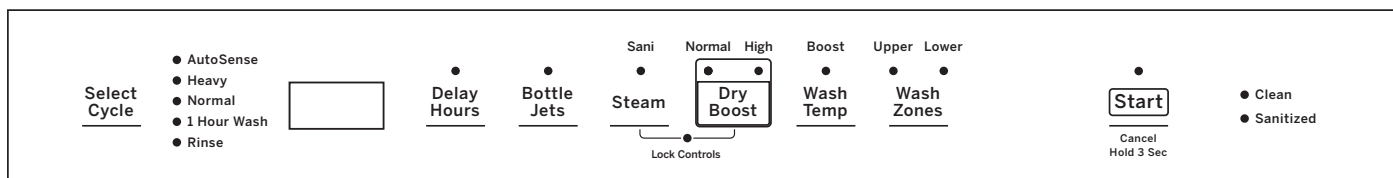
# Getting started

Features and appearance will vary throughout this manual

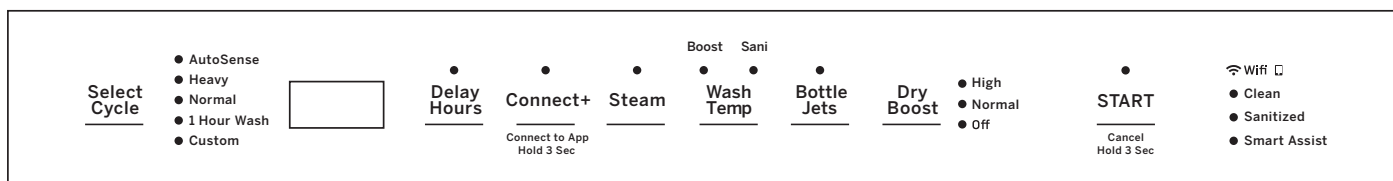
GDF670, GDF650



GDT670, GDP670, GDP665, GDT650, GDP650



PD\*715



- 1 Load Dishwasher**  
For best dishwashing results, follow the loading guidelines found in the **Loading** section. No pre-rinsing of normal food soil is required. Scrape off hard soils, including bones, toothpicks, skins, and seeds. Remove leafy vegetables, meat trimmings, and excessive amounts of grease or oil.

- 2 Add Detergent**  
Add needed amount of detergent to the detergent dispenser. Use high quality detergents such as **Cascade® Platinum™ ActionPacs™** or **Finish® Quantum® Automatic Dishwashing Detergent**. See **Dispensers** section.

- 3 Add Rinse Agent**  
Add high quality rinse agents such as **Cascade® Platinum™ Power Dry™ Rinse Aid** or **Finish® Jet-Dry® Rinse Aid** to the rinse agent dispenser. See **Dispensers** section. **NOTE:** The use of rinse aid can further enhance the dishwasher's drying performance.

# Getting started

## 4 Select Cycle

Press the furthest pad on the left for the desired wash cycle. On some models, the light next to the furthest pad on the left will be lit to indicate which wash cycle has been selected. On other models, pressing the furthest pad on the left will show various cycles in the display window. Press the pad until the desired cycle is shown.

**NOTE:** Actual cycle times vary based on soil level, water temperature, and options selected.

The cycle may be selected with the door in the open position. The cycle will not start until the **Start** pad is pushed and the door is closed within 4 seconds.

|   |  |
|---|--|
| <b>AutoSense/ Auto</b>                  | This cycle automatically senses the soil level and adjusts the wash cycle accordingly. *Time range: 1 hour 50 minutes - 2 hours 10 minutes.  |
| <b>Heavy</b>                            | This cycle is meant for heavily soiled dishes, cookware, pots, or pans with dried-on or baked-on soils. Everyday dishes are safe to be used in this cycle. *Time: 2 hours 31 minutes.  |
| <b>Normal</b>                           | This cycle is meant for daily, regular, or typical use to completely wash a full load of normally soiled dishes and is designed to conserve both water and energy. *Time range: 1 hour 15 minutes - 1 hour 50 minutes. <b>NOTE: Normal</b> was used to rate the energy efficiency of this dishwasher.  |
| <b>Light/ China</b><br>(on some models) | This cycle is for light to medium soiled dishes. It is safe for china and crystal with no options selected. *Time: 55 minutes.   |
| <b>Rinse</b><br>(on some models)        | For rinsing partial loads that will be washed later. <b>Do not use detergent.</b> Detergent is not dispensed during the rinse cycle. *Time: 16 minutes.  |
| <b>1-Hour Wash</b>                      | This cycle will quickly wash lightly soiled dishes. *Time: 60 minutes. For better drying, select <b>Dry Boost</b> . This will raise the final rinse temperature and extend the dry time. <b>Dry Boost</b> will add 49 to 90 minutes to the cycle time. When the <b>Clean</b> light comes on, open the door, pull the racks out, and the dishes will “flash” dry in approximately five minutes. |
| <b>Custom</b><br>(on some models)       | Expand the use of your dishwasher by connecting it to WiFi and using the SmartHQ App to assign a cycle, from an expanded cycle list, to this button. If not connected to WiFi, the default cycle is <b>Rinse</b> .   |

\*Washing time only. Does not include drying time, Auto Hot Start, or options. **NOTE:** If the incoming water temperature is too low, the Auto Hot Start feature may add up to 25 minutes of additional time.

\*\*Microban® is a registered trademark of Microban International, Ltd.

# Getting started

## 5 Select Options

The light by the selected pad will be lit to indicate which Option has been selected.

**Wash Temp off (Normal)** This option is for normally soiled dishes, optimizes wash performance while conserving energy.

**Wash Temp/Boost** This option increases the temperature to help clean heavily soiled dishes and will increase the cycle time by 20 to 50 minutes. Option may be turned **On** or **Off** during the wash cycle. This option will also improve dry performance on the **Normal** cycle.

**Wash Temp/Sani, Steam/Sani** This option raises the water temperature in the final rinse to sanitize your dishware but may increase cycle time by 60 minutes. The cycle length will vary depending on the temperature of your inlet water.

(on some models)  
**NOTE:** This option is monitored for sanitization requirements. If the cycle is interrupted during or after the main wash portion or if the incoming water temperature is so low that adequate water heating cannot be achieved, the sanitizing conditions may not be met. In these cases, the Sanitized or Cycle Sanitized light will not illuminate at the end of the cycle. Utilizing this option will modify the cycle to meet the requirements of Section 6, of the NSF 184 Standard for soil removal and sanitization efficacy.

**NOTE:** Certified residential dishwashers are not intended for licensed food establishments.

**Steam** This option adds an extra pre-wash that generates steam to help deep clean dried-on soiled dishes. It will increase cycle time by a minimum of 10 minutes, depending on what other options are selected.

**Dry Boost Off** Shuts off the drying option. Dishes air dry naturally and energy is saved. Open the dishwasher door to speed drying.

**Dry Boost Normal** Turns on the option for faster drying. This option may add up to 64 minutes to the cycle time. On models with the hidden heater feature, this option boosts the temperature of the dishwasher during the final rinse portion of the cycle then utilizes a fan to circulate air to dry the dishes. This very efficient fan may run for an additional 90 minutes after the cycle is complete to maximize drying performance. Fan operation will end if the door is opened during this 90 minute period. This option is not available with the **Rinse** cycle.

**Dry Boost High** (on some models) This option can be selected by pressing the **Dry Boost** pad twice to illuminate the High light. It will add additional time to your drying option, further enhancing the dishwasher's performance for difficult to dry items.

**Wash Zones** (on some models) Selecting either the Upper or Lower **Wash Zones** will target dishwashing of just one rack. This will shorten the cycle time and conserve energy. This option should be used when dishes are placed in only one rack.

**Bottle Jets** (on some models) This option increases the time that the bottle jets are on and may add up to 23 minutes to the cycle time. Use this to wash difficult to clean, dishwasher safe baby bottles, sport bottles, tall coffee cups, etc. See use recommendations in the **Loading** section.

**Delay Hours** Delays the start of a wash cycle up to 8 to 12 hours depending on model. Press **Delay Hours**, to select the number of hours, then press **Start** one time and close door to begin countdown. The cycle will start once allotted time has expired.

**Lock Controls** You can lock the controls to prevent selections from being made. You can also lock the controls after you have started a cycle to prevent cycle changes. For example, children cannot accidentally start the dishwasher by pressing pads with this option selected.

**For GE Series, to LOCK/UNLOCK** the dishwasher control, depending on the model, press and hold the **Wash Temp** and **Wash Zones**, or the **Steam** and **Dry Boost** pads at the same time, for 3 seconds. The **Lock Controls** light will turn on to indicate the control is locked and will turn off to indicate the control is unlocked.

**For Profile Series**, the only way to lock the dishwasher is through the SmartHQ App. To unlock the dishwasher you use the SmartHQ App or press and hold the **Start** pad for 3 seconds.

**Connect+** (on some models) Press and hold this pad for 3 seconds to connect your dishwasher to the App. Follow instructions provided through your SmartHQ App to connect. Once connected, pressing the **Connect+** pad allows you to recall your favorite cycles and options.

# Getting started

## 6 Start Dishwasher

|                           |   |
|---------------------------|---|
| <b>Start</b>              | Press the <b>Start</b> pad and close the door within 4 seconds to start the cycle or begin the <b>Delay Hours</b> countdown. The wash cycle will begin shortly after closing the door. The display will turn off if the door remains open for two minutes. To activate the display, close and open the door or press any pad. |
| <b>Interrupt or Pause</b> | To interrupt or pause a dish cycle, slowly open the door. Opening the door will cause the wash cycle to pause. The dishwasher will beep every minute to remind you to close the door. To restart or resume the cycle, press <b>Start</b> , and close the door within 4 seconds.   |
| <b>Cancel</b>             | To cancel a wash cycle, press and hold the <b>Start</b> pad for 3 seconds and close door. The dishwasher will drain, emit a beep sound, and the wash cycle light will turn OFF.   |

## 7 Cycle Indicator Lights and Sounds

|  |  |
|--|--|
| <b>Sanitized</b>                                     | Displayed at end of the cycle when <b>Wash Temp Sani</b> or <b>Sanitize Temp</b> has been selected and dishwasher has met requirements for sanitization. See <b>Wash Temp Sani</b> or <b>Sanitize Temp</b> , for complete description. Closing door or pressing any pad will turn off light.   |
| <b>Clean</b>   | Displayed when a wash cycle is complete. The light stays ON as a reminder that the dishes are clean. The light will turn off when the door is opened.  |
| <b>Cycle Status</b><br>(on some models)              | The indicator light on the door front will change color to indicate the wash status. During the wash cycle, the indicator light will be amber or blue. When the wash cycle is complete, the light will change to white.  |
| <b>Sounds</b>  | The dishwasher will emit a sound to indicate cycle completion, pad presses, and door ajar.   |
| <b>Mute</b>  | To turn the dishwasher control sounds ON/OFF, press the <b>Dry Boost</b> pad 5 times within 5 seconds.   |
| <b>Sabbath/Door Wake Up Mode</b><br>(on some models) | To turn this option ON/OFF, press and hold the <b>Cycle Select</b> and <b>Wash Temp Boost</b> pads for 5 seconds, close the door and wait 3 minutes for the dishwasher to go into sleep mode. In the OFF mode, the control display, control sounds, and interior lights (on some models) will not respond to the door opening/closing. This mode can be used when observing certain religious holidays such as the Sabbath. To activate the control and interior lights (on some models), press any pad. |
| <b>Smart Assist</b><br>(on some models)              | Connecting your dishwasher to SmartHQ will unlock enhanced capabilities and information for the Smart Assist feature to maintain optimal wash and dry performance. Smart Assist is designed to monitor your dishwasher's functionality and will help ensure optimal performance. See section Appliance Communication for instructions on how to connect.   |

# Dispensers

## Check the Water Temperature

The entering water should be at least 120°F (49°C) and not more than 150°F (66°C) for effective cleaning and to prevent dish damage. Check the water temperature with a candy or meat thermometer.

Turn on the hot water faucet nearest the dishwasher, place the thermometer in a glass and let the water run continuously into the glass until the temperature stops rising.

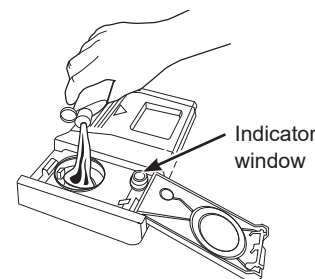
## Use a Rinse Agent

High quality rinse agents such as **Cascade® Platinum™ Power Dry™ Rinse Aid** or **Finish® Jet-Dry® Rinse Aid** are designed for great drying action and to protect against spots and film build-up on your dishes, glasses, flatware, cookware, and plastic.

## Filling the Rinse Agent Dispenser

The rinse agent dispenser holds 3.5 oz. (104 ml) of rinse agent. Under normal conditions, this will last approximately one month.

- 1 Make sure the dishwasher door is fully open.
- 2 Open the rinse agent dispenser door.
- 3 Slowly add rinse agent until the cup is full. You may need to pause several times to allow rinse aid to settle. **NOTE:** Indicator window does not light up.
- 4 Clean up any spilled rinse agent with a damp cloth to prevent foam from forming inside the dishwasher.
- 5 Close the rinse agent dispenser door.



## Rinse Aid Setting

The amount of rinse agent released into the final wash can be adjusted. If water drops or hard water spots remain on dishes after the dry cycle, increase the setting.

## To adjust the setting

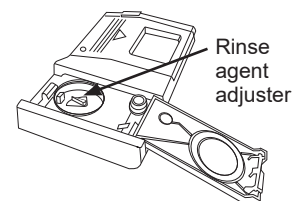
Open the Rinse Agent dispenser door; then turn the adjuster clockwise to increase the amount of rinse agent, counterclockwise to reduce the amount of rinse agent.



Clockwise to reduce water drops and hard water spots



Counterclockwise to reduce foaming



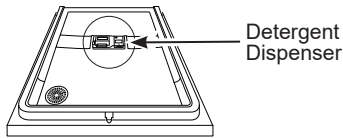


# Dispensers

## Detergent Dispenser

The detergent dispenser is located in the center of the dishwasher door. It has two compartments. The main wash compartment is found inside the detergent dispenser. To open, press the button on the side of the dispenser. The pre-wash compartment is on the lid of the detergent dispenser. Use the pre-wash compartment only when your water is extremely hard or when you have a heavy soiled load. The pre-wash compartment is not used when tablet or packet detergents are used.

**NOTE:** Do not block detergent dispenser with large or tall dishware.



You may use tablet, packet, powder, liquid or gel automatic dishwasher detergent. Make sure you use only detergents specifically labeled for use in automatic dishwashers. Never use liquid hand dish detergent in an automatic dishwasher. Sudsing and poor wash performance will result with the use of improper detergents.

Detergents should be stored in a dry location and in their original container to prevent loss of effectiveness. Place detergent in the cup just prior to starting the dishwasher and then close the cover. The cover will open during the wash cycle.

### Filling the Detergent Dispenser

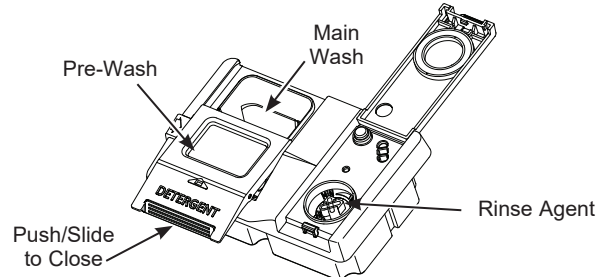
GE Appliances recommends using high quality detergent in tablet or packet form. Independent testing has shown this form of detergent is very effective in the dishwasher. **Cascade® Platinum™ ActionPacs™** or **Finish® Quantum® Powerball®** are examples of this type of detergent. However, some single dose detergents are not designed for shorter cycles. If you experience wash-out issues with these tablets or packets, follow the instructions below:

**Rinsing cycles** - DO NOT use detergents. (These cycles are designed for rinsing dishes only, not soil removal.)

**Washing cycles less than 60 minutes (not including additional dry or wash options)** - Put a tablet or packet into the pre-wash compartment of the detergent cup, or in the bottom of the dishwasher. (These cycles are designed to be shorter which could result in bad detergent wash-out if the detergent is placed in the main wash compartment of the detergent cup. Wash performance will be diminished as a result.)

**Washing cycles 60 minutes or longer (not including additional dry or wash options)** - Put a tablet or packet into the main wash compartment of the detergent cup and close the detergent cup cover. (These cycles are designed for tougher soils and will likely have more fills/drains than the shorter cycles. If the tablet or packet is placed in the pre-wash compartment or tossed in the bottom of the dishwasher, the detergent will be flushed down the drain in a very short period of time and will thus be wasted. Wash performance will be very poor as a result.)

If you choose to use detergent in powder, liquid or gel form, the amount of detergent you use will be determined by the hardness of your water, the temperature of your water, and the food soil load inside the dishwasher. Contact your water company to get information about the hardness of the water in your area. Water hardness is measured in grains per gallon. Use this information and the table above to determine the amount of detergent to use. You may purchase a hard water test strip from GE Appliances. Call 877-959-8688 and ask for part number **WD01X10295**. In Canada, call 800-661-1616.

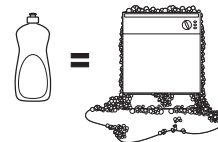


Use the table as a starting point and then adjust the amount of detergent you use. Use just enough to get good wash performance. Using just the right amount of detergent will provide great wash performance without wasting detergent or etching glassware.

| Number of Grains/Gal. | Detergent Cup(s) to Fill                 |
|-----------------------|--|
| Less than 4           | Fill cup to 1/3 full                     |
| 4 to 8                | Fill cup to 2/3 full                     |
| 8 to 12               | Fill cup completely full                 |
| Greater than 12       | Fill both main wash cup and pre-wash cup |

Using too much detergent with very soft and/or very hot water may cause a condition called etching on your glassware. Etching is a permanent cloudiness in your glassware. This condition is irreversible. However, using too little detergent will cause poor wash performance.

### DO NOT USE HAND DISH DETERGENT



**NOTE:** Using a detergent that is not specifically designed for dishwashers will cause the dishwasher to fill with suds. During operation, these suds will spill out of the dishwasher vents, covering the kitchen floor and making the floor wet.

Because so many detergent containers look alike, store the dishwasher detergent in a separate space from all other cleaners. Show anyone who may use the dishwasher the correct detergent and where it is stored.

While there will be no lasting damage to the dishwasher, your dishes will not get clean using a dishwashing detergent that is not formulated for automatic dishwashers.

# Appliance Communication

---

## WiFi Connect (on some models) (for customers in the United States)

Your dishwasher is **GE Appliances WiFi Connect** capable. A WiFi communication card is built into the product allowing it to communicate with your smartphone for remote monitoring, control and notifications.

WiFi Connectivity: For assistance with the appliance or the **U+Connect** network connectivity, please call GE Appliances at **800.220.6899**.

- 1) Use the QR code to download and access the SmartHQ App or visit **www.GEAppliances.com/connect**.
- 2) Follow the instructions in the App to connect your dishwasher.



---

*This device complies with Part 15 of the FCC Rules. Operation is subject to the following two conditions:*

1. *This device may not cause harmful interference, and*
2. *This device must accept any interference received, including interference that may cause undesired operation.*

*This equipment has been tested and found to comply with the limits for a Class B digital device, pursuant to Part 15 of the FCC Rules. These limits are designed to provide reasonable protection against harmful interference in a residential installation. This equipment generates uses and can radiate radio frequency energy and, if not installed and used in accordance with the instructions, may cause harmful interference to radio communications. However, there is no guarantee that interference will not occur in a particular installation. If this equipment does cause harmful interference to radio or television reception, which can be determined by turning the equipment off and on, the user is encouraged to try to correct the interference by one or more of the following measures:*

  - *Reorient or relocate the receiving antenna.*
  - *Increase the separation between the equipment and receiver.*
  - *Connect the equipment into an outlet on a circuit different from that to which the receiver is connected.*
  - *Consult the dealer or an experienced radio/television technician for help.*

**Labelling:** *Changes or modifications to this unit not expressly approved by the manufacturer could void the user's authority to operate the equipment.*



# Loading

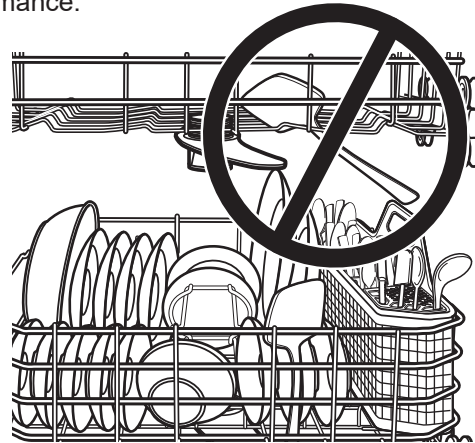
For best dishwashing results, follow these loading guidelines. Features and appearance of racks and silverware baskets may vary from your model.

## Upper Rack

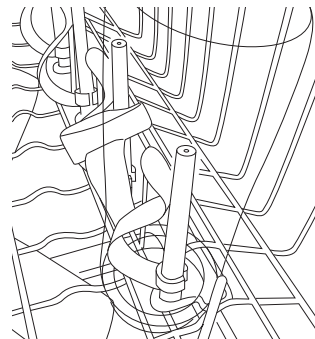
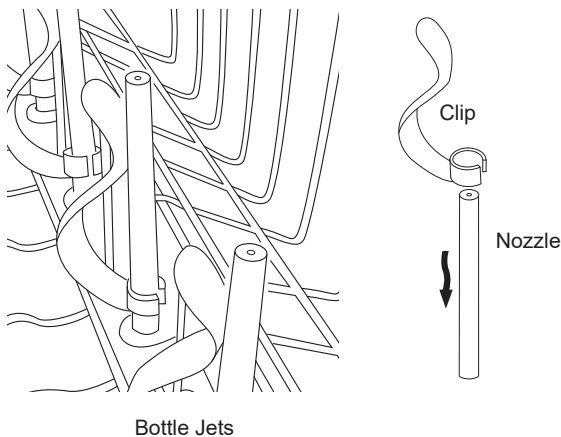
The upper rack is primarily for glasses, cups, and saucers. For best wash performance, tilt cup and glass openings toward the center of the rack. Other items such as pots, pans, and plates may be placed in the upper rack. This is also a secure place for dishwasher-safe plastic items. The upper rack can be used for odd sized utensils. Sauce pans, mixing bowls, and other similarly shaped items should be placed face down for best wash performance. Ensure small plastic items are secure so that they cannot fall on the heater at the bottom of the dishwasher, potentially damaging the item. Some models are equipped with a hidden heater, so dishwasher safe plastic items can be placed in the lower rack.

**IMPORTANT:** Ensure items in the upper rack do not interfere with the 3rd Rack (on some models) when loading and unloading.

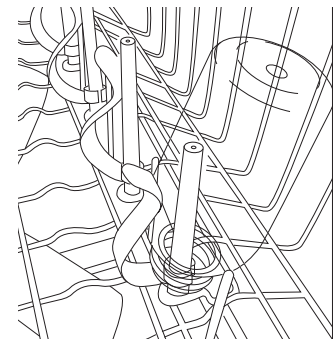
**IMPORTANT:** Ensure that items do not protrude through the bottom of the rack or silverware basket where they will block the rotation of the middle spray arm. This could result in noise during operation and/or poor wash performance.



The **Bottle Jets** system (on some models) is the ideal location to position baby bottles, tall sports bottles, or other tall items with narrow openings. The **Bottle Jets** clips hold bottles with small openings in place so water jets are directed inside the bottles to clean hard to reach areas. Clips can be installed or removed by simply slipping the clip opening over the top of the nozzle.



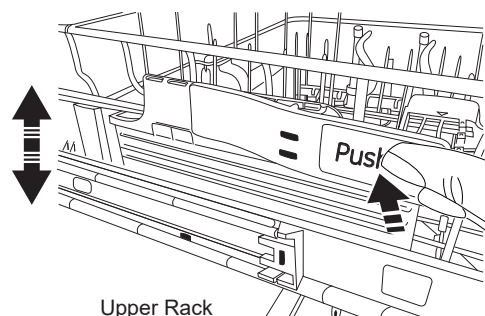
Sports bottle held in place over a Bottle Jets clip



Baby bottle held in place under a Bottle Jets clip

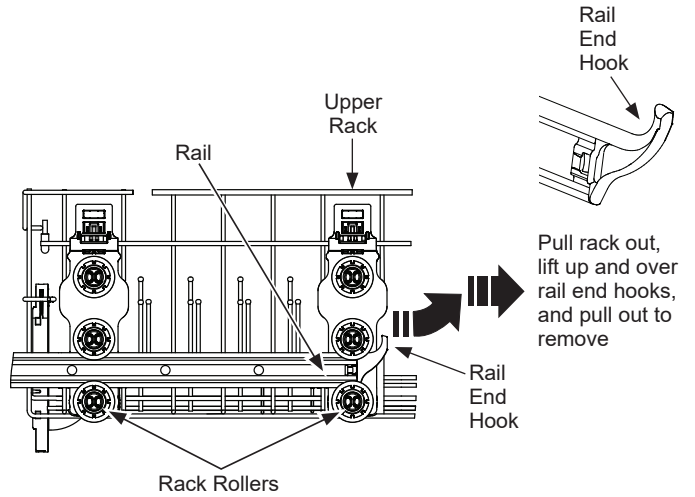
**CAUTION** A loaded upper rack may be heavier than anticipated. To prevent minor injury or damage to the contents, do not raise or lower the upper rack after the rack is loaded.

The upper rack allows 2" of adjustment up or down to accommodate large items. The upper rack may be lowered by pushing the long flaps on each side of the rack. This will allow you to lower the rack (see fig. Upper Rack). To raise the rack, lift up on the rack until the rack locks in place.

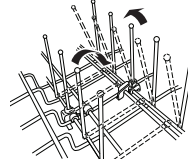


# Loading

On some models, the upper rack may be adjusted to accommodate larger items. To adjust the upper rack, fully extend the upper rack and lift the front of the rack so that the rack roller wheels clear the end hooks on the front of the rails. Continue to pull the rack until the remaining rack roller wheels clear the end hook. Select the set of rollers on the side of the rack that provides the desired height, and reinstall the upper rack by aligning the rack roller wheels on the end hook and rack rails – Ensure that there are roller wheels above and below the rack rails. Failure to properly align the wheels onto the end hook and rails may result in the rack falling from the dishwasher.



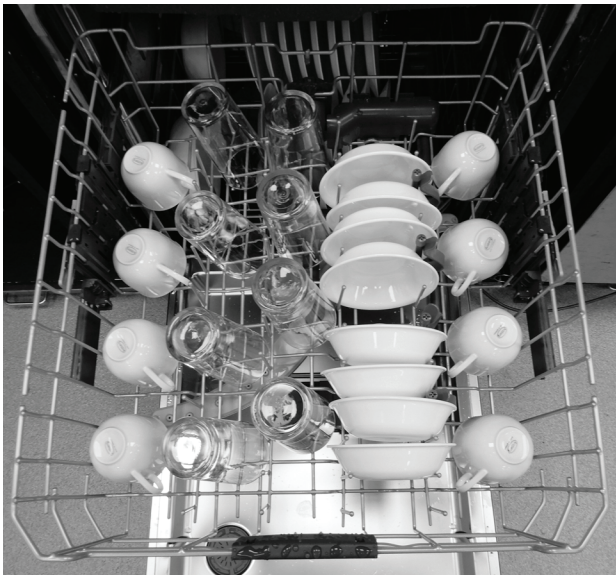
The fold down tines (on some models) provide flexibility for extra-large and hard-to-fit items. The tine rows can be adjusted to a vertical or lay-down position.



For best dishwashing results, follow these loading guidelines. Features and appearance of racks and silverware baskets may vary from your model.

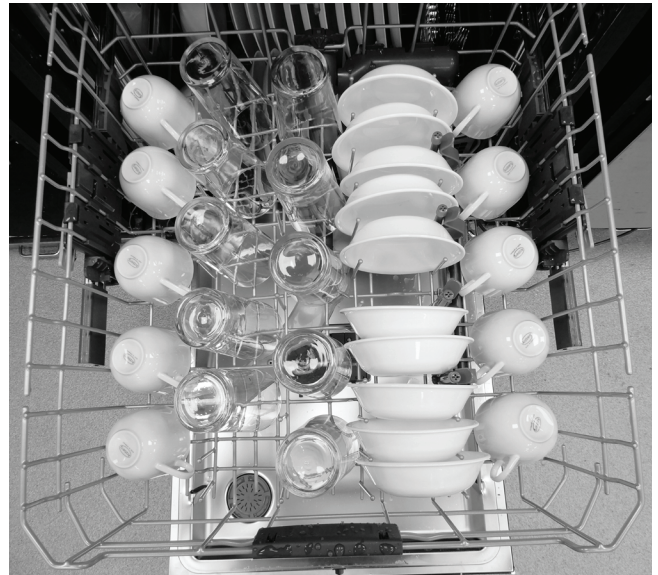
## 8 Place Settings - Upper Rack

Models - GD\*650, GD\*665, GD\*670, PD\*715



## 10 Place Settings - Upper Rack

Models - GD\*650, GD\*665, GD\*670, PD\*715



# Loading

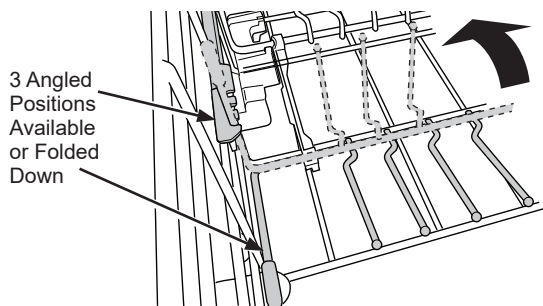
For best dishwashing results, follow these loading guidelines. Features and appearance of racks and silverware baskets may vary from your model.

## Lower Rack

The lower rack is best used for plates, saucers and cookware items. Large items, such as broiler pans and baking racks should be placed along the sides of the rack. If necessary, oversized glasses and mugs can be placed in the lower rack to maximize loading flexibility. Plates, saucers and similar items should be placed between the tines in the direction that allows the item to remain secure in the rack.

**NOTE:** Do not load large items in the lower rack where they may block the wash jets from rinsing out the detergent dispenser.

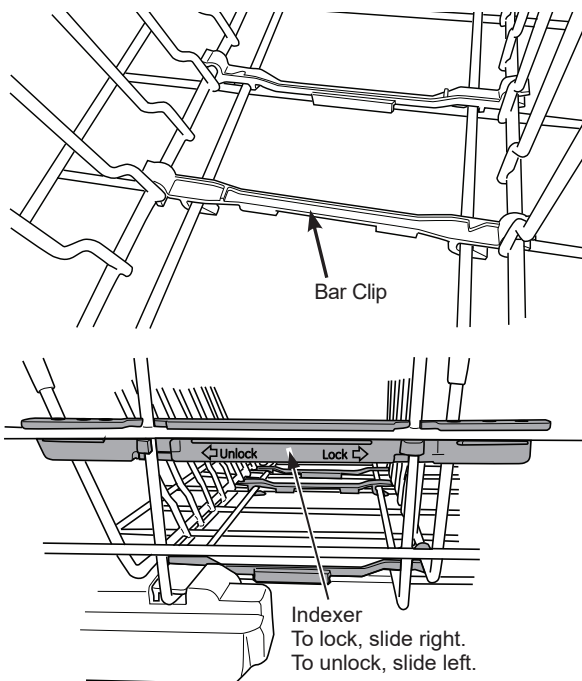
The lower rack **fold down tines** (on some models) can be adjusted to different upright angles or placed flat to provide flexibility for hard-to-fit or extra-large items.



**⚠ WARNING** The clips can be a choke hazard for small children if removed from the dishwasher. Keep out of reach of children.

To change the direction of the **fold down tines**, lower the tines, then pull away from the bar clips that secure the tines to the rack and remove. Reverse the direction of the tines, orienting the handle on the opposite side of the rack. Reattach the tines to the bar clips by pushing the tines back until they click in place. The indexer will also need to be switched to the opposite side of the dishwasher. To remove the indexer, simply slide it the in the direction labeled “unlock.” Then, align the indexer with the rack on the other side and slide in the direction that says “lock” in order to reattach the indexer to the rack.

**IMPORTANT:** It is important to ensure that items do not protrude through the bottom of the rack or the silverware basket where they will block the rotation of the lower spray arm. Also, ensure that large plates, pots, or tall items don't hit the mid spray arm. This could result in noise during operation and/or poor wash performance.

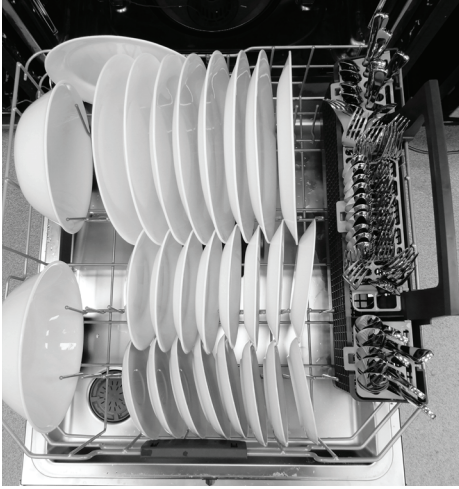


# Loading

---

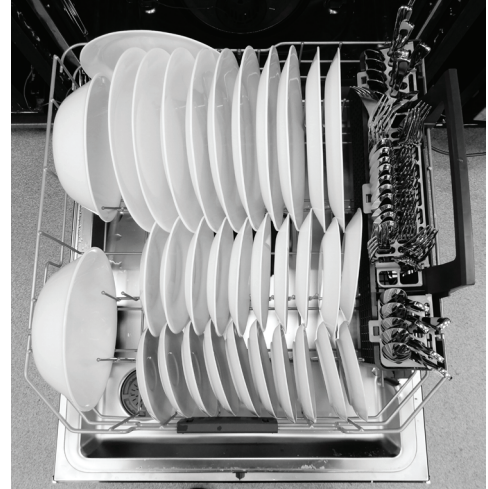
## 8 Place Settings - Lower Rack

Models - GD\*650, GD\*665, GD\*670, PD\*715



## 10 Place Settings - Lower Rack

Models - GD\*650, GD\*665, GD\*670, PD\*715





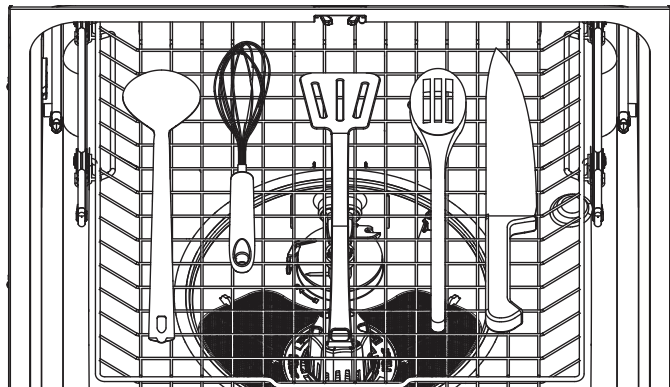
# Loading

For best dishwashing results, follow these loading guidelines. Features and appearance of racks and silverware baskets may vary from your model.

## 3rd Rack (on some models)

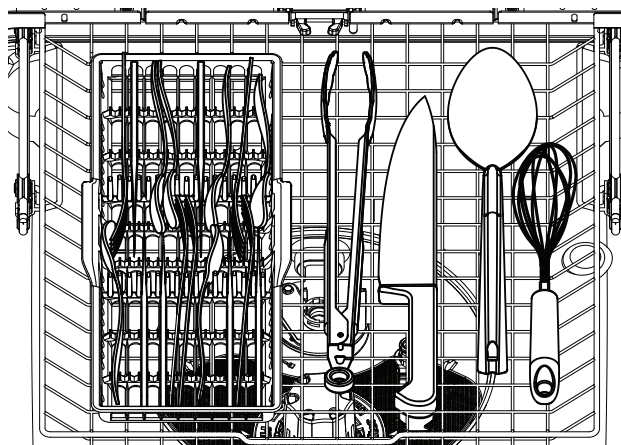
The 3rd rack is the recommended location for silverware and large utensils

**CAUTION** Take care when loading, unloading, or transporting the silverware or utensil tray. The tray may contain sharp or heavy items. If items are dropped from the tray or the tray is dropped, injury could occur.



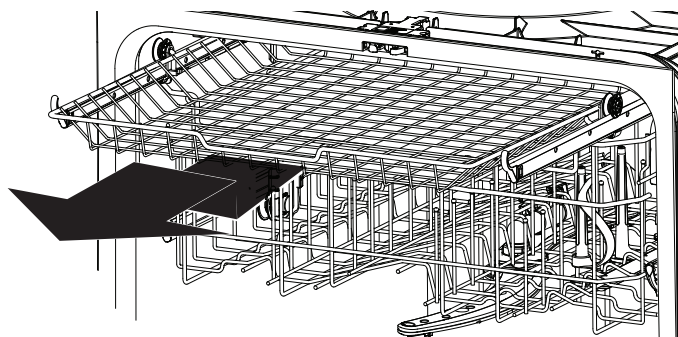
### IMPORTANT NOTES:

- Do not allow cutlery of different materials to touch each other in the 3rd rack. Doing so may cause discoloration of the cutlery.
- The tray is only meant to be used with a GE Appliances 3rd rack dishwasher to hold silverware, cooking utensils, and other small items. Using the tray for any other purpose could result in damage to the tray or damage to anything interacting with the tray.
- Ensure that the 3rd rack is fully closed before shutting the dishwasher door. Shutting the door with the rack partially extended could cause damage to the dishwasher.



The 3rd rack is also removable to allow extra large items to be placed in the upper rack:

### To remove the 3rd rack:



- 1 With the rack fully extended, lift the front of the rack so that the rack roller wheels clear the retaining hook.
- 2 Continue to pull the rack until the remaining rack roller wheels clear the retaining hook.
- 3 Replace the rack by aligning the rack roller wheels on the retaining hook and rack rails – Ensure all roller wheels are located on top of the rack rails.

# Loading

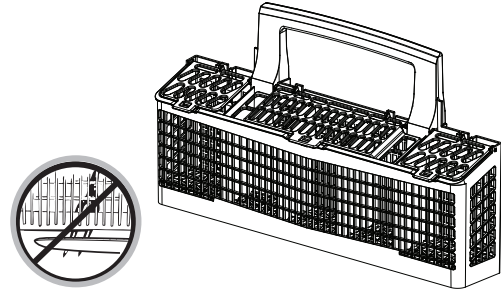
Silverware/flatware is loaded using the silverware basket lids. This ensures great wash performance of the silverware. Loading in this manner prevents nesting and makes sure all items are washed uniformly.

## Silverware Basket

Place flatware in the removable silverware baskets. Sharp objects, such as forks and knives, may be placed with the handles facing up, in order to protect your hands. For the best wash performance, place other items such as spoons with the handles facing down. Avoid allowing items to nest together, which may keep them from being properly washed. When loading, distribute items evenly in the basket.

The silverware baskets may also be used for small items, such as measuring spoons, baby bottle nipples, plastic lids, or corn cob holders. The silverware basket covers can be closed to contain small items.

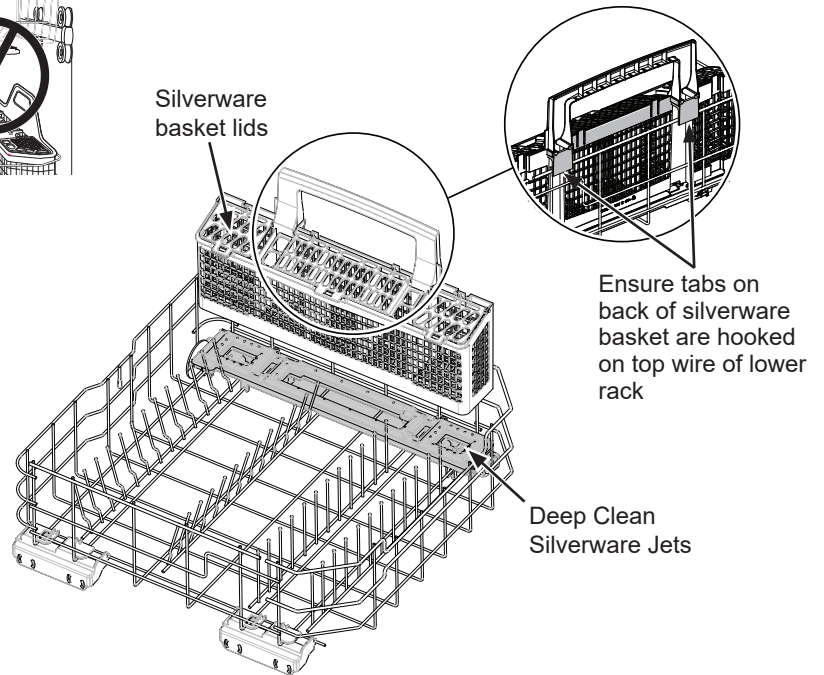
**IMPORTANT:** Do not load large or tall utensils where they may block the detergent dispenser, mid spray arm, or become trapped between the door and the gasket when the door is closed.



## Deep Clean Silverware Jets (on some models)

Deep Clean Silverware Jets target stubborn, stuck-on food and help separate nested spoons and forks to keep your silverware spotless no matter how you load the silverware. For optimal silverware cleaning, the use of silverware basket lids is always recommended. For models with the third rack, the Deep Clean Silverware Jets can also be used to clean mixing bowls and other cookware.

Do not remove Deep Clean Silverware Jet spray assembly from the dishwasher rack.



**Silverware Basket - 8 Place Settings Models - GD\*650, GD\*665, GD\*670, PD\*715**



**Silverware Basket - 10 Place Settings Models - GD\*650, GD\*665, GD\*670, PD\*715**



**NOTE:** For optional silverware loading refer to **3rd Rack** loading in this **Loading The Dishwasher** section.

# Care and Cleaning

---

## Control Panel

To clean the control panel, use a lightly dampened cloth. Then dry thoroughly.

---

## Exterior Door Panel

Before cleaning the front panel, make sure you know what type of panel you have. Refer to the last two letters of your model number. You can locate your model number on the left-hand tub wall just inside the door. If your model number ends with BB, DS, D1, ES, FS, TS, WW or W2 then you have a painted door panel. If your model number ends with SS or S1, then you have a Stainless Steel door panel. If your model number ends with II, then you have an Integrated door panel.

Follow the instructions below for cleaning the door panel for your specific model.

**Painted/Coated Door Panel** (model numbers ending in BB or D1-black, DS-black slate, ES-slate, FS-fingerprint resistant, TS-black stainless steel, or WW or W2-white)

Use a clean, soft, lightly dampened cloth, then dry thoroughly.

**Stainless Steel Door Panel** (model numbers ending in SS or S1)

**For cleaning rust and tarnish**, cleaners with oxalic acid such as Bar Keepers Friend Soft Cleanser™ will remove rust, tarnish and small blemishes. Use only a liquid cleanser free of grit and rub in the direction of the brush lines with a damp soft sponge. Do not use appliance wax or polish on the stainless steel.

**For other blemishes and marks**, use Stainless Steel Magic or a similar product using a clean soft cloth. Do not use appliance wax, polish, bleach or products containing chlorine on Stainless Steel. You can order Stainless Steel Magic # WX10X29 through GE Appliances Parts by calling 877.959.8688. In Canada, call 1-800-661-1616.

---

## Dishwasher Interior

To clean and de-odorize your dishwasher, use citric acid, or **Cascade® Platinum™ Dishwasher Cleaner** or **Finish® Dishwasher Cleaner**, a detergent additive. They will break up mineral deposits, and remove hard water film and stains. You can order citric acid GE Appliances kit # WD35X151 through GE Appliances Parts by calling 877-959-8688 or visiting **GEApplianceparts.com**.

In Canada, call 1-800-661-1616. You can purchase dishwasher cleaners at your local grocery store.

---

## Stainless Steel Inner Door and Tub

The stainless steel used to make the dishwasher tub and inner door provides the highest reliability available in a GE Appliances dishwasher.

If the dishwasher tub or inner door should be scratched or dented during normal use, they will not rust or corrode. These surface blemishes will not affect their function or durability.

# Care and cleaning

## Filters

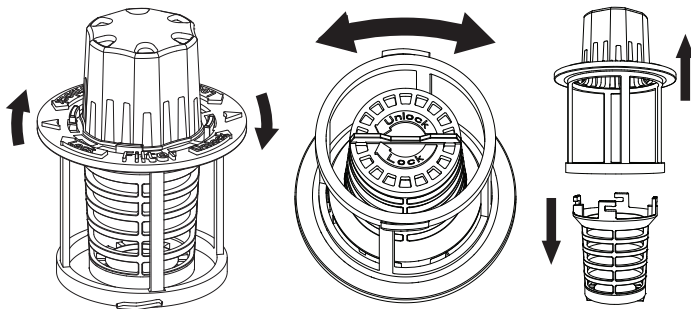
Inspect and clean the filters periodically. This should be done every other month or more depending on usage. If there is a decrease in wash performance or dishes feel gritty, this is also an indication the filters need to be cleaned.

### Ultra-Fine Filter Assembly

To clean the Ultra-Fine Filter assembly, remove the bottom rack. Twist the Ultra-Fine Filter assembly counterclockwise and lift to remove for cleaning. Rinse filter with warm soapy water and use a sponge to carefully remove any stubborn particles.

For models with a 2-piece Ultra-Fine Filter assembly with an additional Filter Basket for food particles, twist the Filter Basket in the counterclockwise direction to unlock it from the Ultra-Fine Filter assembly. See directional arrows on the bottom of the Filter Basket. Pull the Filter Basket to remove from the assembly, throw away any food particles, rinse with warm soapy water, and use a sponge to remove any stubborn particles.

2-piece - Ultra-fine Filter assembly with additional Filter Basket (on some models)

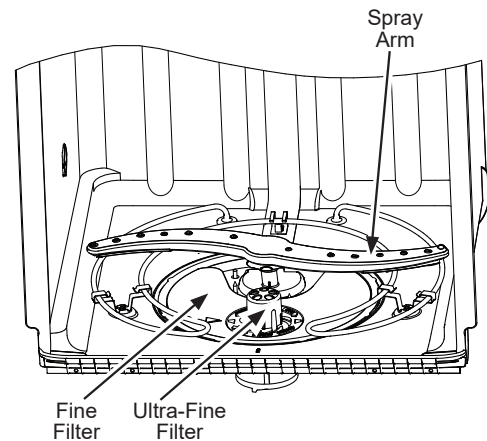


Once cleaned, replace Filter Basket back into the Ultra-Fine Filter assembly and twist it clockwise to lock into place.

### Fine Filter

To clean the Fine Filter (mesh plate), remove the bottom rack. Remove the Ultra-Fine Filter.

Lift the Fine Filter up and out from under the two rear retaining tabs. Rinse filter with warm soapy water. Scouring pads or brushes can scratch the filter surface but a soft brush or sponge may be needed to remove stubborn soils or calcium deposits caused by hard water. Once cleaned, replace the Fine Filter making sure it goes under the two rear retaining tabs. Replace the Ultra-Fine Filter.



## Protect Against Freezing

If your dishwasher is left in an unheated place during the winter, ask a service technician to:

- 1 Turn off electrical power to the dishwasher. Remove fuses or trip circuit breaker.
- 2 Turn off the water supply and disconnect the water inlet line from the water valve.
- 3 Drain water from the water inlet line and water valve. (Use a pan to catch the water.)
- 4 Reconnect the water inlet line to the water valve.

## Does Your Dishwasher Have an Air Gap?

An air gap protects your dishwasher against water backing up into it if a drain clogs. The air gap is not a part of the dishwasher. It is not covered by your warranty. Not all plumbing codes require air gaps, so you may not have one.

Air gap



Check the air gap any time your dishwasher isn't draining well.

The air gap is easy to clean.

- 1 Turn off the dishwasher and lift off the air gap cover.
- 2 Remove the plastic cap under the cover and clean with a toothpick.
- 3 Replace the cap and cover when the air gap is clean.



# Troubleshooting Tips... Before you call for service

| Problem  | Possible Cause   | What To Do  |
|--|--|---|
| Smart Assist light is red                        | A potential problem has been detected with your machine.   | Use the SmartHQ App to identify and troubleshoot the potential problem. If you are not connected to WiFi, check your display for any codes and call for service.  |
| Smart Assist light is yellow                     | There is a notification available in the SmartHQ App.  | Use the SmartHQ App to follow recommended steps.  |
| Start status indicator light flashing            | The door was opened or the cycle was interrupted.  | Press the <b>Start</b> pad once and close the door within 4 seconds to start the dishwasher. Press the <b>Start</b> pad a second time when the dishwasher is running only if you wish to cancel the cycle.  |
| Dishwasher BEEPS once every minute               | This is a reminder that your dishwasher door has been left open during operation. It will continue beeping until you press Start and close the door. | Press <b>Start</b> and close the door.  |
| Beeping at the end of the cycle (on some models) | This is normal. Dishwasher will beep twice at the end of the cycle.  | To turn off the double beep indicator (or re-activate it if it was previously turned off), press the <b>Dry Boost</b> pad 5 times within 3 seconds. A triple beep will sound to indicate the end-of-cycle beep option has been turned on or off.  |
| Dishes and flatware not clean                    | Ultra-Fine Filter or Fine Filter is clogged  | See the <b>Care and Cleaning</b> section.   |
|  | Low inlet water temperature  | Make sure inlet water temperature is correct (see the <b>USING THE DISHWASHER</b> section). Turn on the hot water faucet nearest the dishwasher, let run until the water temperature stops rising. Then start the dishwasher and turn off the faucet. This ensures the entering water is hot. Select <b>Boost</b> if available. |
|  | Water pressure is temporarily low  | Turn on a faucet. Is water coming out more slowly than usual? If so, wait until pressure is normal before using your dishwasher. Normal water pressure to the dishwasher should be 20-120 psi.  |
|  | Air gap or disposer clogged  | Clean the air gap or flush the disposer.  |
|  | High drain loop or air gap not installed   | Refer to the Installation Instructions for proper drain line installation.  |
|  | Improper rack loading  | Make sure large dishware does not block the detergent dispenser or the wash arms. See the <b>Loading</b> section.   |
|  | Poor performing detergent  | Use high quality detergents such as <b>Cascade® Platinum™ ActionPacs™</b> or <b>Finish® Quantum® Automatic Dishwashing Detergent</b> .  |

## Troubleshooting Tips... Before you call for service

| Problem  | Possible Cause   | What To Do   |
|--|--|--|
| Spots and filming on glasses and flatware                | Extremely hard water   | Use high quality rinse agents such as <b>Cascade® Platinum™ Power Dry™ Rinse Aid</b> or <b>Finish® Jet-Dry® Rinse Aid</b> to prevent spots and prevent new film build-up. If water is extremely hard, a softener may be required.  |
|  | Low inlet water temperature  | Make sure water temperature is at least 120°F (49°C).  |
|  | Overloading or improper loading of the dishwasher  | Load dishwasher as shown in the <b>Loading</b> section.  |
|  | Old or damp powder detergent   | Make sure detergent is fresh. Use high quality detergents such as <b>Cascade® Platinum™ ActionPacs™</b> or <b>Finish® Quantum® Automatic Dishwashing Detergent</b> .   |
|  | Rinse agent dispenser empty  | Refill with high quality rinse agents such as <b>Cascade® Platinum™ Power Dry™ Rinse Aid</b> or <b>Finish® Jet-Dry® Rinse Aid</b> .  |
|  | Too little or low performing detergent   | Make sure you use the proper amount of highly rated detergent.   |
| Cloudiness on glassware                                  | Combination of soft water and too much detergent   | This is called etching and is permanent. To prevent this from happening, use less detergent if you have soft water. Wash glassware in the shortest cycle that will get it clean.   |
|  | Low performing phosphate-free detergent  | See <b>A white film on glassware, dishware and the interior</b> in this <b>TROUBLESHOOTING</b> section.  |
|  | Water temperature entering the dishwasher exceeds 150°F  | This could be etching. Lower the water heater temperature.   |
| Slight odor coming from unit during dry portion of cycle | This is normal when the <b>Dry Boost</b> option is used for the first time. It is caused by the heating of new parts and will disappear in a short time. | No action is required.   |
| Suds in the tub  | Wrong detergent  | Use only high quality automatic dishwasher detergents to avoid sudsing. <b>Cascade® Platinum™ ActionPacs™</b> or <b>Finish® Quantum® Automatic Dishwashing Detergent</b> have been approved for use in all GE Appliances dishwashers. To remove suds from the tub, open the dishwasher and let suds dissipate. Open the door, press and hold <b>Start</b> for 3 seconds, and close the door. |
|  | Rinse agent was spilled  | Always wipe up rinse agent spills immediately.   |
| Detergent left in dispenser cups                         | Dishes or utensils are blocking the detergent cup  | Reposition the dishes, so the water from the lower spray arm can flush the detergent cup. See the <b>Loading</b> section. Reposition the tall utensils or heavy silverware that may be keeping the dispenser cup door from opening. See the <b>Loading</b> section. Don't place large bowls or pots directly under the detergent dispenser.  |
| Black or gray marks on dishes                            | Aluminum utensils have rubbed against dishes   | Remove marks with a mild, abrasive cleaner.  |

# Troubleshooting Tips... Before you call for service

| Problem  | Possible Cause                                    | What To Do  |
|--|---|---|
| Dishes don't dry   | Low inlet water temperature                       | Make sure inlet water temperature is at least 120°F. Select <b>Boost Dry</b> . Use <b>Boost</b> option. Select a higher cycle, such as <b>Steam-Sani</b> , <b>Presoak-Sani</b> , or <b>Sanitize</b> .   |
|  | Rinse agent dispenser is empty                    | Check the rinse agent dispenser and fill as required.   |
|  | Additional drying time is needed                  | Leave door closed after the Clean light appears to allow the fan to run an additional 90 minutes.<br><b>Note:</b> If you open the door, this fan extension will be cancelled.   |
| Control panel responded to inputs but dishwasher never filled with water | Door may not be completely closed                 | Make sure the door is firmly closed.  |
|  | Water valve may be turned off                     | Make sure water valve (usually located under the sink) is turned on.  |
|  | Flood float may be stuck                          | Remove Ultra-Fine filter and lightly tap the piece under the ultra fine filter that looks like a salt shaker. Replace the filter.   |
| Stained tub interior   | White film on inside surface— hard water minerals | GE Appliances recommends high quality rinse agents such as <b>Cascade® Platinum™ Power Dry™ Rinse Aid</b> or <b>Finish® Jet-Dry® Rinse Aid</b> to help prevent hard water mineral deposits from forming. Run dishwasher with citric acid to remove mineral deposits. Citric acid (Part number: <b>WD35X151</b> ) can be ordered through GE Appliances Parts. See back cover for ordering information. Alternatively, purchase <b>Cascade® Platinum™ Dishwasher Cleaner</b> or <b>Finish® Dishwasher Cleaner</b> and follow the directions on the label. |
| Dishwasher won't run   | Fuse is blown or circuit breaker is tripped       | Replace fuse or reset circuit breaker. Remove any other appliances from the circuit.  |
|  | Power is turned off                               | In some installations, the power to the dishwasher is provided through a wall switch, often located next to the disposer switch. Make sure it is on.  |
|  | Control panel is locked                           | Unlock control panel. See the <b>Getting started</b> section.   |
|  | Possible leak is detected                         | Some models are equipped with leak detection and the cycle will be cancelled if a leak is detected. The display will show "LEAK DETECTED". Contact us for service.  |
|  | Proper Start sequence was not followed            | See the <b>Using the dishwasher</b> section.  |
| Control panel lights go off when you're setting controls                 | Time too long between touching of selected pads   | Each pad must be touched within 30 seconds of the others. To relight, touch any pad again or open the door and unlock (top control).  |
| Water standing in the bottom of the tub                                  | Air gap is clogged                                | Clean the air gap. See the <b>Care and Cleaning</b> section.  |
|  | High drain loop or air gap not installed          | Refer to the Installation Instructions for proper drain line installation.  |
| Water won't pump out of the tub  | Drain is clogged                                  | If you have an air gap, clean it. See the <b>Care and Cleaning</b> section. If the dishwasher drains into a disposer, run disposer clear. Check to see if your kitchen sink is draining well. If not, you may need a plumber.   |

## Troubleshooting Tips... Before you call for service

| Problem  | Possible Cause  | What To Do   |
|--|---|--|
| Steam  | This is normal  | Warm, moist air comes through the vent during drying and when water is being pumped out. This is necessary for drying.   |
| Sanitized or Cycle Sanitized light does not illuminate at the end of the cycle | The door was opened and the cycle was interrupted during final rinse  | Do not interrupt the cycle by opening the door during the wash cycle.  |
|  | The incoming water temperature was too low  | Raise the water heater temperature to between 120°F and 150°F.   |
| Noise  | <b>Normal operating sounds:</b><br>Beeping at the end of the cycle (on some models)<br>Detergent cup opening<br>Water entering dishwasher<br>Motor stops and starts at various times during cycle<br>Spray arms start and stop at various times<br>Drain pump sounds during pump out<br>Drain pump starts and stops several times during each drain | These are all normal. No action is required.   |
|  | Rattling dishes when the spray arm rotates  | Make sure dishes are properly loaded. See the <b>Loading</b> section.  |
|  | Rattling silverware against door during wash  | Tall utensils may be placed in the upper rack to avoid bumping against inner door during wash cycle.   |
| A white film on glassware, dishware and the interior                           | <b>This problem is likely caused by a low quality phosphate-free dishwasher detergent</b>   | <p>To remove the white film, run your dishes through a dishwasher cycle with citric acid. Use a <b>WD35X151</b> citric acid kit found online. Otherwise, use high quality rinse agents such as <b>Cascade® Platinum™ Dishwasher Cleaner</b> or <b>Finish® Dishwasher Cleaner</b> found at your local grocery store.</p> <p>Pour the citric acid in the detergent cup and close the cover. Place the filmed but otherwise clean glassware and dishware in the dishwasher. Leave silverware and other metal items out of the dishwasher. Turn the dishwasher on and let it run through a complete cycle without detergent. The glassware, dishware, and dishwasher should come out film free. Alternatively, a vinegar rinse may be used. Pour 1 cup of vinegar into dishwasher just after the detergent cup opens and let the dishwasher complete its cycle. This may be repeated several times a year as needed.</p> <p>The use of high quality rinse agents such as <b>Cascade® Platinum™ Power Dry™ Rinse Aid</b> or <b>Finish® Jet-Dry® Rinse Aid</b> may help minimize a repeat build up of film. Also, the use of high quality detergents such as <b>Cascade® Platinum™ ActionPacs™</b> or <b>Finish® Quantum® Automatic Dishwashing Detergent</b> will help prevent film build-up.</p> |
| Feel air on your legs when standing in front of the dishwasher in cycle.       | This is normal  | Do not interrupt the cycle. No action is required.   |

# GE Appliances Dishwasher Limited Warranty

**LIMITED WARRANTY**

## GEAppliances.com

All warranty service is provided by our Factory Service Centers, or an authorized Customer Care® technician. To schedule service online, visit us at [GEAppliances.com/service](http://GEAppliances.com/service), or call GE Appliances at 800.GE.CARES (800.432.2737). Please have your serial number and your model number available when calling for service.

Servicing your appliance may require the use of the onboard data port for diagnostics. This gives a GE Appliances factory service technician the ability to quickly diagnose any issues with your appliance and helps GE Appliances improve its products by providing GE Appliances with information on your appliance. If you do not want your appliance data to be sent to GE Appliances, please advise your technician not to submit the data to GE Appliances at the time of service.

| For the period of:  | We will replace:   |
|---|--|
| <b>One year</b><br>From the date of the original purchase | <b>Any part</b> of the dishwasher which fails due to a defect in materials or workmanship. During this <b>limited one-year warranty</b> , we will also provide, <b>free of charge</b> , all labor and related service to replace the defective part. |

## What is not covered:

- Service trips to your home to teach you how to use the product.
- Improper installation, delivery or maintenance.
- Failure of the product if it is abused, misused, or used for other than the intended purpose or used commercially.
- Replacement of house fuses or resetting of circuit breakers.
- Products which are not defective or broken, or which are working as described in the Owner's Manual.
- Damage to the product caused by accident, fire, floods or acts of God.
- Incidental or consequential damage caused by possible defects with this appliance.
- Defects or damage due to operation in freezing temperatures.
- Damage caused after delivery including damage from items dropped on the door.
- Product not accessible to provide required service.
- Cleaning or servicing of the air gap device in the drain line.

## EXCLUSION OF IMPLIED WARRANTIES

Your sole and exclusive remedy is product repair as provided in this Limited Warranty. Any implied warranties, including the implied warranties of merchantability or fitness for a particular purpose, are limited to one year or the shortest period allowed by law.

## In the United States:

This limited warranty is extended to the original purchaser and any succeeding owner for products purchased for home use within the USA. If the product is located in an area where service by a GE Appliances Authorized Servicer is not available, you may be responsible for a trip charge or you may be required to bring the product to an Authorized GE Appliances Service location for service. In Alaska, the limited warranty excludes the cost of shipping or service calls to your home.

Some states do not allow the exclusion or limitation of incidental or consequential damages. This limited warranty gives you specific legal rights, and you may also have other rights which vary from state to state. To know what your legal rights are, consult your local or state consumer affairs office or your state's Attorney General.

**Warrantor: GE Appliances, a Haier Company**  
**Louisville, KY 40225**

## In Canada:

This limited warranty is extended to the original purchaser and any succeeding owner for products purchased in Canada for home use within Canada. If the product is located in an area where service by a GE Appliances Authorized Servicer is not available, you may be responsible for a trip charge or you may be required to bring the product to an Authorized GE Appliances Service location.

Some provinces do not allow the exclusion or limitation of incidental or consequential damages. This limited warranty gives you specific legal rights, and you may also have other rights which vary from province to province. To know what your legal rights are, consult your local or provincial consumer affairs office.

**Warrantor: MC Commercial Inc., Burlington, ON, L7R 5B6**

**Extended Warranties:** Purchase a GE Appliances extended warranty and learn about special discounts that are available while your warranty is still in effect. You can purchase it online anytime at

[GEAppliances.com/extended-warranty](http://GEAppliances.com/extended-warranty)

or call 800.626.2224 during normal business hours. GE Appliances Service will still be there after your warranty expires.

Staple your receipt here. Proof of the original purchase date is needed to obtain service under the warranty.



# Consumer Support

---

## GE Appliances Website

Have a question or need assistance with your appliance? Try the GE Appliances Website 24 hours a day, any day of the year! You can also shop for more great GE Appliances products and take advantage of all our on-line support services designed for your convenience. In the US: **GEAppliances.com**

In Canada: **GEAppliances.ca**

---

## Register Your Appliance

Register your new appliance on-line at your convenience! Timely product registration will allow for enhanced communication and prompt service under the terms of your warranty, should the need arise. You may also mail in the pre-printed registration card included in the packing material. In the US: **GEAppliances.com/register**

In Canada: **GEAppliances.ca/after-sales-support**

---

## Schedule Service

Expert GE Appliances repair service is only one step away from your door. Get on-line and schedule your service at your convenience any day of the year. In the US: **GEAppliances.com/service** or call 800.432.2737 during normal business hours.

In Canada: **GEAppliances.ca/after-sales-support** or call 800.561.3344.

---

## Extended Warranties

Purchase a GE Appliances extended warranty and learn about special discounts that are available while your warranty is still in effect. You can purchase it on-line anytime. GE Appliances Services will still be there after your warranty expires. In the US: **GEAppliances.com/extended-warranty** or call 800.626.2224 during normal business hours.

In Canada: **GEAppliances.ca/purchase-extended-warranty** or call 866.277.9842.

---

## Remote Connectivity

For assistance with wireless network connectivity (for models with remote enable), in the US visit our website at **GEAppliances.com/connect** or call 800.220.6899.

In Canada: **GEAppliances.ca/connected-appliances** or call 800.220.6899

---

## Parts and Accessories

Individuals qualified to service their own appliances can have parts or accessories sent directly to their homes (VISA, MasterCard and Discover cards are accepted). Order on-line today 24 hours every day.

In the US: **GEApplianceparts.com** or by phone at 877.959.8688 during normal business hours.

In Canada: **GEAppliances.ca/parts-filters-accessories** or call 800.661.1616.

**Instructions contained in this manual cover procedures to be performed by any user. Other servicing generally should be referred to qualified service personnel. Caution must be exercised, since improper servicing may cause unsafe operation.**

---

## Contact Us

If you are not satisfied with the service you receive from GE Appliances, contact us on our Website with all the details including your phone number, or write to:

In the US: General Manager, Customer Relations | GE Appliances, Appliance Park | Louisville, KY 40225  
**GEAppliances.com/contact** or call 800.626.2000

In Canada: Director, Customer Relations | MC Commercial Inc. | Suite 300, 5420 North Service Road | Burlington, ON L7L 6C7  
**GEAppliances.ca/contact-us** or call 877.994.5366



# LAVE-VAISSELLE

|   |    |
|---|----|
| <b>CONSIGNES DE SÉCURITÉ</b> . . . . .  | 4  |
| <b>UTILISATION DU LAVE-VAISSELLE</b>    |    |
| Comment démarrer . . . . .              | 6  |
| Distributeurs . . . . .                 | 10 |
| Communication avec l'appareil . . . . . | 12 |
| Chargement . . . . .                    | 13 |
| <b>ENTRETIEN ET NETTOYAGE</b> . . . . . | 19 |
| <b>CONSEILS DE DÉPANNAGE</b> . . . . .  | 21 |
| <b>GARANTIE LIMITÉE</b> . . . . .       | 25 |
| <b>SERVICE À LA CLIENTÈLE</b> . . . . . | 26 |

## MANUEL D'UTILISATION

GD\*650-670 Séries  
PD\*715 Séries  
Comprend :  
  GE® Series  
  GE Profile™ Series

Inscrivez ci-dessous les numéros de modèle et de série

N° de modèle \_\_\_\_\_

N° de série \_\_\_\_\_

Ils se trouvent sur la paroi de la cuve, à l'intérieur de la porte.

## **NOUS VOUS REMERCIONS D'ACCUEILLIR GE APPLIANCES CHEZ VOUS**

---

Que vous ayez grandi avec GE Appliances ou qu'il s'agisse de votre première acquisition, nous sommes heureux de vous accueillir dans notre famille.

Nous sommes fiers du savoir-faire, de l'innovation et de l'esthétique qui composent chaque appareil GE Appliances, et nous pensons que vous le serez aussi. Dans cette optique, nous vous rappelons que l'enregistrement de votre électroménager vous assure la communication de renseignements importants sur le produit et la garantie lorsque vous en avez besoin.

Enregistrez votre électroménager GE en ligne dès maintenant. Des sites Web et des numéros de téléphone utiles figurent dans la section Soutien au consommateur de ce manuel d'utilisation. Vous pouvez aussi poster la fiche de garantie préimprimée incluse dans l'emballage.



**GE APPLIANCES**



# Remarques

---

REMARQUES

# CONSIGNES DE SÉCURITÉ IMPORTANTES

## LIRE TOUTES LES CONSIGNES AVANT D'UTILISER L'APPAREIL

**⚠ AVERTISSEMENT** Pour votre sécurité, veuillez suivre les directives données dans le présent manuel afin de réduire au minimum les risques d'incendie, d'explosion et de chocs électriques et prévenir tout dommage et blessure grave ou mortelle.

### ⚠ AVERTISSEMENT INSTALLATION ET ENTRETIEN APPROPRIÉS

Ce lave-vaisselle doit être correctement installé, en conformité avec les directives d'installation fournies, avant d'être utilisé. Si vous n'avez pas reçu les directives d'installation avec votre appareil, vous pouvez vous les procurer en visitant notre site Web à l'adresse [www.electromenagersge.ca](http://www.electromenagersge.ca).

- Cet appareil doit être relié à un système de câblage électrique permanent en métal, mis à la terre. Sinon, un fil de mise à la terre pour appareillage doit être installé et raccordé à la borne ou au fil de mise à la terre de l'appareil.
- Un raccordement incorrect du fil de mise à la terre peut présenter un risque d'électrocution. Consultez un électricien ou un technicien qualifié si vous n'êtes pas certain que l'appareil est correctement mis à la terre.
- Vous trouverez des instructions détaillées sur la mise à la terre dans la section « PRÉPARATION DU CÂBLAGE ÉLECTRIQUE » des Instructions d'installation.
- Veuillez vous débarrasser de la façon appropriée de vos vieux électroménagers et des matériaux d'emballage ou d'expédition.
- Ne tentez pas de réparer ou de remplacer une pièce quelconque de votre lave-vaisselle, à moins que cela ne soit spécifiquement recommandé dans le présent manuel. Confiez toutes les autres réparations à un technicien qualifié.
- Utilisez uniquement un nécessaire de cordon électrique WX09X70910 ou câblez directement sur le circuit électrique du domicile. L'omission d'observer cette instruction peut causer un risque d'incendie ou de blessure.
- Pour réduire au minimum les risques d'électrocution, débranchez l'appareil de sa source d'alimentation avant d'en effectuer l'entretien.

**REMARQUE :** Le fait d'arrêter le lave-vaisselle ne coupe l'alimentation électrique de l'appareil. Nous vous recommandons de confier la réparation de votre électroménager à un technicien qualifié.

### ⚠ AVERTISSEMENT LORS DU FONCTIONNEMENT DE VOTRE LAVE-VAISSELLE, PRENEZ LES PRÉCAUTIONS DE BASE, NOTAMMENT LES SUIVANTES :

- N'utilisez cet appareil que pour l'usage pour lequel il a été conçu, comme expliqué dans le présent manuel.
- Utilisez uniquement un détergent ou un agent mouillant recommandés pour utilisation dans un lave-vaisselle et tenez-les à l'écart des enfants. L'utilisation d'un détergent non conçu pour les lave-vaisselles peut provoquer la formation de mousse.
- Placez les articles coupants de manière à ce qu'ils n'endommagent pas le joint d'étanchéité de la porte.
- Placez dans le panier à couverts les couteaux tranchants le manche vers le haut afin de réduire les risques de coupures.
- Ne lavez pas les articles en plastique à moins qu'ils ne portent la mention « Lavable au lave-vaisselle » ou l'équivalent. Si certains articles en plastique ne portent pas cette mention, reportez-vous aux recommandations du fabricant.
- Ne touchez pas à l'élément chauffant pendant ou immédiatement après le fonctionnement de l'appareil.
- Ne faites pas fonctionner le lave-vaisselle si tous les panneaux de la carrosserie n'ont pas été correctement réinstallés.
- Ne modifiez pas le fonctionnement des commandes.
- Abstenez-vous de vous asseoir, de vous accrocher ou de vous tenir sur la porte ou le panier du lave-vaisselle, ou d'en faire un emploi abusif de toute autre manière.
- Pour réduire le risque de blessure, ne laissez pas les enfants jouer avec l'électroménager, grimper dessus ou s'y introduire.
- Ne rangez ni n'utilisez des matières combustibles, y compris de l'essence ou d'autres liquides ou vapeurs inflammables, à proximité de cet appareil ou de tout autre.
- Les petites pièces, telles qu'attaches de panier et tiges de retenue de filtre, représentent un risque d'étouffement pour les jeunes enfants si elles sont retirées du lave-vaisselle. Gardez-les à l'écart des jeunes enfants.

### Mise au rebut adéquate de votre électroménager

- Veuillez jeter ou recycler votre électroménager conformément aux règlements fédéraux ou locaux. Communiquez avec les instances locales pour en savoir plus sur la mise au rebut ou le recyclage de votre électroménager.
- Considérez les options de recyclage des matériaux d'emballage de votre électroménager.

## LIRE ET CONSERVEZ CES DIRECTIVES

# CONSIGNES DE SÉCURITÉ IMPORTANTES

## LIRE TOUTES LES CONSIGNES AVANT D'UTILISER L'APPAREIL

### ▲ AVERTISSEMENT SÉCURITÉ DU CHAUFFE-EAU

Dans certaines conditions, il peut se former de l'hydrogène dans un chauffe-eau qui n'a pas été utilisé pendant deux semaines ou plus. **L'HYDROGÈNE EST UN GAZ EXPLOSIF.**

Si vous n'avez pas utilisé votre chauffe-eau pendant deux semaines ou plus, ouvrez tous les robinets d'eau chaude et laissez couler l'eau pendant plusieurs minutes afin de réduire les risques de dommages matériels ou de blessures. Prenez cette précaution avant même d'utiliser un électroménager raccordé au chauffe-eau pour éliminer l'hydrogène qui pourrait s'y être accumulé. Puisqu'il s'agit d'un gaz inflammable, ne fumez pas ou n'utilisez pas une flamme nue ou un électroménager au cours de ce processus.

### ▲ AVERTISSEMENT RISQUE DE SUFFOCATION POUR UN ENFANT COINCÉ À L'INTÉRIEUR DE L'APPAREIL

#### ÉLIMINATION APPROPRIÉE DU LAVE-VAISSELLE

Les lave-vaisselle jetés ou abandonnés sont dangereux... même si vous ne les laissez là que pour quelques jours. Si vous voulez jeter votre lave-vaisselle, veuillez suivre les directives ci-dessous pour éviter les accidents.

- Ne laissez pas les enfants jouer avec, sur, le lave-vaisselle, ou à l'intérieur de celui-ci ou de tout autre électroménager mis aux rebus.
- Enlevez la porte du compartiment de lavage.

### ▲ ATTENTION POUR ÉVITER LES BLESSURES MINEURES OU LES DOMMAGES MATÉRIELS

- Pendant ou après le cycle de lavage, le contenu peut s'avérer très chaud au toucher. Manipulez-le avec soin.
- Une surveillance attentive est nécessaire lorsque cet appareil est utilisé par ou près des enfants. Ne laissez pas les enfants jouer à proximité du lave-vaisselle lorsque vous la fermeture de la porte, la fermeture de la crémaillère supérieure, ou tout réglage en hauteur du panier supérieur afin d'éviter que leurs petits doigts se coincent.
- Articles autres que la vaisselle : ne lavez pas dans le lave-vaisselle des articles comme des filtres de purificateur d'air, des filtres de systèmes de chauffage ou des pinceaux. Vous pourriez endommager le lave-vaisselle et provoquer une décoloration ou des taches dans l'appareil.
- Placez les articles légers en plastique de manière qu'ils ne se déplacent pas ou ne tombent pas au fond de l'appareil—they pourraient entrer en contact avec l'élément chauffant, ce qui pourrait les endommager.

### EXIGENCES ÉLECTRIQUES

Assurez-vous que les connexions électriques et le calibre des fils sont adéquats et en conformité avec le National Electric Code, ANSI/NFPA 70, dernière édition, et tous les codes et règlements locaux.

#### Cet électroménager doit comporter :

- Une alimentation électrique à fusibles de 120 V, 60 Hz, C.A. seulement, 15 ou 20 ampères.
- Le câble doit comporter 2 fils avec terre et être certifié

pour une température de 75 °C (167 °F).

- Si l'alimentation ne satisfait pas aux exigences ci-dessus, appelez un électricien agréé avant de procéder.

#### Il est recommandé d'avoir :

- Un disjoncteur ou un fusible temporisé.
- Un circuit de dérivation particulier correctement mis à la terre.

### ▲ AVIS

- Si votre lave-vaisselle est branché sur un circuit relié à un interrupteur mural, assurez-vous d'actionner celui-ci avant d'utiliser votre appareil.
- Si vous fermez l'interrupteur mural entre les cycles de lavage, attendez de 5 à 10 secondes après avoir ramené l'interrupteur à marche avant d'appuyer sur la touche **Start** (Marche) pour permettre aux commandes de se réinitialiser.
- N'utilisez que les détergents et agents de rinçage liquides,

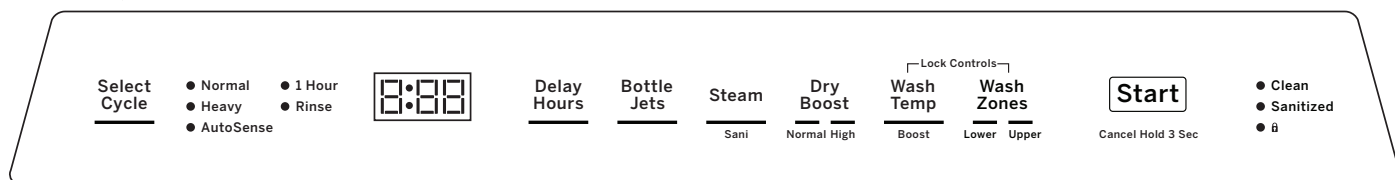
en poudre ou en tablette ou les **Cascade® Platinum™ ActionPacs™** ou **Finish® Quantum® Automatic Dishwashing Detergent** (détergent à vaisselle automatique) recommandés pour les lave-vaisselle et gardez-les hors de la portée des enfants. Les détergents pour lave-vaisselle **Cascade® Platinum™ ActionPacs™** ou **Finish® Quantum® Automatic Dishwashing Detergent** et les agents de rinçage **Cascade® Platinum™ Power Dry™ Rinse Aid** ou **Finish® Jet-Dry® Rinse Aid** sont approuvés avec les lave-vaisselle GE Appliances.

## LIRE ET CONSERVEZ CES DIRECTIVES

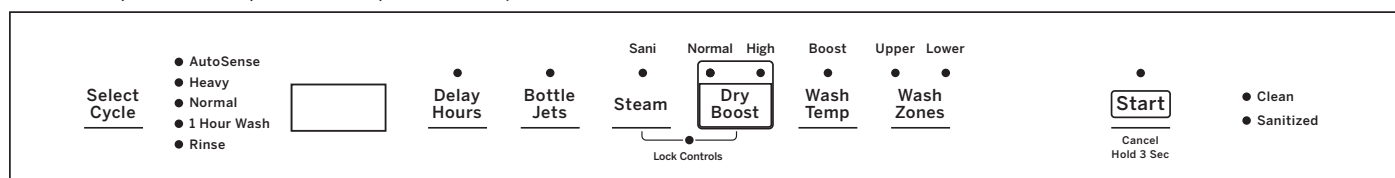
# Comment démarrer

Les caractéristiques et l'apparence des appareils varient tout au long de ce manuel selon les modèles

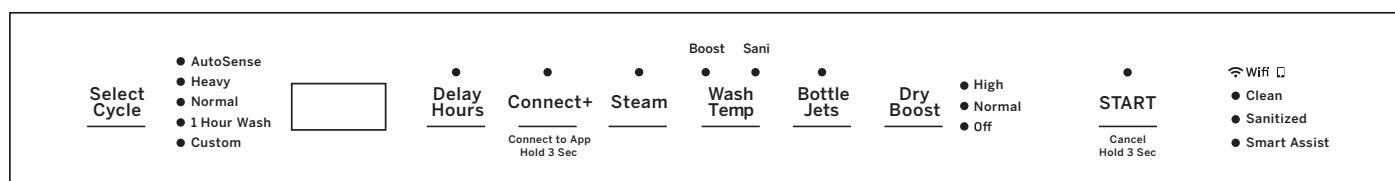
GDF670, GDF650



GDT670, GDP670, GDP665, GDT650, GDP650



PD\*715



## 1 Charger le lave-vaisselle

Pour de meilleurs résultats de lavage, suivez les directives de chargement dans la section **Chargement**. Aucun pré-rinçage des dépôts alimentaires normaux n'est nécessaire. Enlevez les dépôts durs, notamment les os, les cure-dents, la peau et les graines. Enlevez les légumes-feuilles, les parties non comestibles de la viande et les quantités excédentaires de graisse ou d'huile.

## 2 Ajouter le détergent

Ajoutez la quantité de détergent requise dans le distributeur à détergent. Utilisez des détergents de haute qualité tels que **Cascade® Platinum™ ActionPacs™** ou **Finish® Quantum® Automatic Dishwashing Detergent** (détergent à vaisselle automatique). Consultez la section **Distributeurs**.

## 3 Ajouter le produit de rinçage

Ajoutez des agents de rinçage de haute qualité tels que le produit de rinçage **Cascade® Platinum™ Power Dry™ Rinse Aid** ou **Finish® Jet-Dry® Rinse Aid** dans le distributeur. Consultez la section **Distributeurs**.  
**REMARQUE** : L'utilisation d'un agent de rinçage peut améliorer l'efficacité de séchage du lave-vaisselle.

# Comment démarrer

## 4 Sélectionner le cycle

Appuyez sur la touche la plus éloignée à gauche pour le cycle de lavage désiré. Sur certains modèles, le voyant vis-à-vis de la touche la plus éloignée à gauche s'allumera pour indiquer quel cycle de lavage a été choisi. Sur d'autres modèles, une pression sur la touche la plus éloignée à gauche fera apparaître un choix de cycles sur la fenêtre d'affichage. Appuyez sur la touche jusqu'à l'affichage du cycle désiré.

**REMARQUE** : La durée effective des cycles dépend du degré de saleté, de la température de l'eau et des options sélectionnées.

Le cycle peut être sélectionné même si la porte est ouverte. Le cycle ne démarrera qu'une fois la touche **Start** enfoncée et la porte fermée en moins de 4 secondes.

|   |  |
|---|--|
| <b>AutoSense/<br/>Auto</b>  | Ce cycle détecte automatiquement le degré de saleté et règle le cycle de lavage en conséquence. *Plage de temps : 1 heure 50 minutes - 2 heures 10 minutes.  |
| <b>Heavy (Très sale)</b>  | Ce cycle est destiné à la vaisselle et batterie de cuisine très sale, avec dépôts alimentaires séchés ou cuits. Ce cycle convient aussi à la vaisselle de tous les jours. *Durée : 2 heure 31 minutes.   |
| <b>Normal</b>   | Ce cycle, destiné à un lavage quotidien, régulier et typique d'une pleine charge de vaisselle normalement sale, est aussi économe en eau et en énergie. *Plage de temps : 1 heure 15 minutes - 1 heure 50 minutes. <b>REMARQUE</b> : Le cycle <b>Normal</b> a servi à évaluer l'efficacité énergétique de ce lave-vaisselle.   |
| <b>Light/China<br/>(Légèrement/<br/>Porcelaine)</b><br>(certains modèles) | Ce cycle est conçu pour la vaisselle de saleté légère à moyenne. Il est sûr pour la porcelaine et le cristal sans options sélectionnées. *Durée : 55 minutes.  |
| <b>Rinse<br/>(Rinçage)</b><br>(certains modèles)                          | Pour le rinçage de charges partielles qui seront lavées plus tard. N'utilisez pas de détergent. Le détergent n'est pas distribué pendant le cycle de rinçage. *Durée : 16 minutes.   |
| <b>1-Hour Wash<br/>(Lavage<br/>1 heure)</b>                               | Ce cycle lave rapidement la vaisselle de saleté légère. *Durée : 60 minutes. Pour un meilleur séchage, sélectionnez <b>Dry Boost</b> (Augmentation du séchage). Cela augmentera la température du rinçage final et prolongera la durée du séchage. L'option <b>Dry Boost</b> ajoute 49 à 90 minutes à la durée du cycle. Lorsque le voyant Clean (Propre) s'allume, ouvrez la porte, tirez les paniers vers l'extérieur, et le lave-vaisselle clignotera que la vaisselle est sèche au bout d'environ 5 minutes. |
| <b>Custom<br/>(Personnaliser)</b><br>(certains modèles)                   | Améliorez l'utilisation de votre lave-vaisselle en le connectant au Wi-Fi et en utilisant l'application SmartHQ pour attribuer un cycle, à partir d'une liste de cycles élargie, à ce bouton. S'il n'est pas connecté au Wi-Fi, le cycle par défaut est <b>Rinse</b> (Rinçage).  |

\*Durée du lavage seulement. Ne comprend pas la durée de séchage, la fonction Auto Hot Start ni les options.

**REMARQUE** : Si la température de l'eau d'admission est trop basse, la fonction Auto Hot Start peut ajouter jusqu'à 11 minutes à la durée du cycle.

\*\*MicrobanMD est une marque déposée de Microban International, Ltd.

## Comment démarrer

### 5 Sélectionner les options

Le voyant vis-à-vis de la touche sélectionnée s'allumera pour indiquer l'option qui a été sélectionnée.

|   |  |
|---|--|
| <b>Wash Temp off (Normal) (Temp Lavage désactivée (Normale))</b>  | Cette option (certains modèles) sert pour la vaisselle normalement sale et optimise la performance du lavage tout en économisant l'énergie.  |
| <b>Wash Temp/ Boost (Temp. de lavage/ Suralimentation)</b>  | Cette option augmente la température pour faciliter le lavage de la vaisselle très sale et augmentera la durée du cycle de 20 à 50 minutes. L'option peut être activée ou désactivée pendant le cycle de lavage. Cette option améliorera aussi le rendement du séchage du cycle <b>Normal</b> .  |
| <b>Wash Temp/Sani, Steam/ Sani (Temp. de lavage/ Hygiénique, Vapeur/ Hygiénique) (certains modèles)</b> | Cette option augmente la température de l'eau lors du rinçage final afin de désinfecter la vaisselle et peut augmenter la durée du cycle de 60 minutes. La durée du cycle variera selon la température de l'eau d'admission.<br><b>REMARQUE</b> : Cette option est contrôlée en fonction de critères de désinfection. Si le cycle est interrompu pendant ou après l'étape du lavage principal, ou si la température de l'eau d'admission est si basse qu'un lavage adéquat ne peut être obtenu, il se peut que les critères de désinfection ne soient pas atteints. Dans ce cas, le voyant Sanitized ne s'allumera pas à la fin du cycle. L'utilisation de cette option modifiera le cycle pour satisfaire à la Section 6 de la Norme NSF 184 relative au délogement de la saleté et à l'efficacité de la désinfection.<br><b>REMARQUE</b> : Les lave-vaisselle domestiques homologués ne sont pas destinés aux établissements alimentaires du commerce. |
| <b>Steam (Vapeur)</b>   | Cette option ajoute un pré-lavage supplémentaire qui génère de la vapeur pour aider à nettoyer en profondeur les saletés tenaces. Cela augmentera la durée du cycle d'au moins 10 minutes, selon les autres options sélectionnées.   |
| <b>Dry Boost Off (Augmentation du séchage désactivée)</b>   | Désactive l'option de séchage. La vaisselle sèche naturellement à l'air et l'énergie est économisée. Ouvrez la porte du lave-vaisselle pour accélérer le séchage.  |
| <b>Dry Boost Normal (Augmentation du séchage normale)</b>   | Active l'option afin d'accélérer le séchage. Cette option ajoute 64 minutes à la durée du cycle. Sur les modèles équipés d'une fonction de chauffage intégrée, cette option augmente la température du lave-vaisselle durant la phase de rinçage finale du cycle puis utilise un ventilateur afin de faire circuler de l'air pour sécher la vaisselle. Ce ventilateur très efficace peut fonctionner pendant 90 minutes de plus après la fin du cycle pour maximiser la performance de séchage. Le ventilateur cessera de fonctionner si la porte s'ouvre pendant cette période de 90 minutes. Cette option n'est pas disponible avec le cycle <b>Rinse</b> (Rinçage).   |
| <b>Dry Boost High (Augmentation du séchage élevée) (certains modèles)</b>                               | On peut sélectionner cette option en pressant la touche <b>Dry Boost</b> deux fois pour allumer le voyant High. Cela ajoutera du temps supplémentaire à votre option de séchage, améliorant ainsi le rendement du lave-vaisselle pour les articles difficiles à sécher.  |
| <b>Wash Zones (Zones de lavage) (certains modèles)</b>  | La sélection de la zone de lavage supérieure ou inférieure dirigera le lavage sur un panier seulement. La durée du cycle sera ainsi raccourcie et l'énergie sera économisée. Cette option doit être utilisée lorsque la vaisselle est placée sur un seul panier.   |
| <b>Bottle Jets (Jets de bouteille) (certains modèles)</b>   | Cette option augmente la durée d'activation des jets pour bouteilles et peut ajouter jusqu'à 23 minutes de la durée du cycle. Utilisez cette option pour laver les bouteilles pour bébé qui vont au lave-vaisselle mais s'avèrent difficiles à nettoyer, les bouteilles de sports, les tasses à café hautes, etc. Consultez les recommandations d'utilisation dans la section <b>Chargement</b> .  |
| <b>Delay Hours</b>  | Retarde le démarrage d'un cycle de lavage d'une durée allant de 8 à 12 heures selon le modèle. Touchez la commande <b>Delay Hours</b> , sélectionnez le nombre d'heures, touchez une fois la commande <b>Start</b> (Démarrer) et fermez la porte pour lancer le décompte. Le lave-vaisselle commencera à fonctionner une fois le délai expiré.   |



# Comment démarrer

## 5 Sélectionner les options (suite)

Le voyant vis-à-vis de la touche sélectionnée s'allumera pour indiquer l'option qui a été sélectionnée.

### Lock Controls

Vous pouvez verrouiller les commandes pour empêcher que des sélections ne soient effectuées. Vous pouvez aussi verrouiller les commandes après le démarrage d'un cycle pour empêcher une modification. Par exemple, cette option empêchera le démarrage accidentel du lave-vaisselle lorsqu'un enfant appuie sur des touches par inadvertance.

**Pour la série GE, pour VERROUILLER/DÉVERROUILLER** les commandes du lave-vaisselle, selon le modèle, maintenir une pression sur la touche **Wash Temp** (Temp. de lavage) et **Wash Zones** (Zones de lavage), ou sur **Steam** (Vapeur) et **Dry Boost** (Augmentation du séchage), durant 3 secondes. Le voyant **Lock Controls** (Verrouillage des commandes) s'allumera ou s'éteindra pour indiquer, respectivement, le verrouillage et le déverrouillage des commandes.

**Pour la série Profile**, la seule façon de verrouiller le lave-vaisselle est par l'entremise de l'application SmartHQ. Pour déverrouiller le lave-vaisselle, vous pouvez utiliser l'application SmartHQ ou appuyer sur la touche **Start** (Marche) et maintenez-la enfoncée pendant 3 secondes.

### Connect+

(certains modèles)

Appuyez sur cette touche et maintenez-la enfoncée pendant 3 secondes pour connecter votre lave-vaisselle à l'application. Suivez les instructions fournies par votre application SmartHQ pour vous connecter. Une fois la connexion établie, appuyer sur la touche **Connect+** vous permet de rappeler vos cycles et options préférés.

## 6 Démarrer le lave-vaisselle

### Start (Démarrer)

Appuyez sur la touche **Start** et fermez la porte en moins de 4 secondes pour démarrer le cycle ou commencer le décompte de l'option **Delay Hours** (Heures de temporisation). Le cycle de lavage commencera peu de temps après la fermeture de la porte. Si la porte est ouverte, L'affichage s'éteindra si la porte demeure ouverte plus de deux minutes. Pour activer l'afficheur, fermez et ouvrez la porte ou pressez n'importe quelle touche.

### Interrupt ou Pause

(Interruption ou pause)

Pour interrompre un cycle ou faire une pause, ouvrez la porte lentement. L'ouverture de la porte occasionnera une pause dans le cycle. Le lave-vaisselle émettra un bip à chaque minute pour vous rappeler de fermer la porte. Pour redémarrer ou poursuivre le cycle, appuyez sur **Start** puis fermez la porte dans les 4 secondes.

### Cancel (Annuler)

Pour annuler un cycle de lavage, maintenir une pression sur la touche **Start** bouton 3 secondes puis fermer la porte. Le lave-vaisselle se vidangera, émettra un bip, et le voyant du cycle de lavage s'éteindra.

## 7 Voyants et sonorités des indicateurs de cycle

### Sanitized

(Hygiénique)

Voyant allumé à la fin du cycle lorsque **Steam-Sani**, **Presoak-Sani**, ou **Sanitize** a été sélectionné et que le lave-vaisselle a satisfait aux critères de désinfection. Consultez la rubrique **Steam-Sani**, **Presoak-Sani**, ou **Sanitize** pour une description complète de l'option. Fermer la porte ou appuyer sur n'importe quelle touche éteindra le voyant.

### Clean (Nettoyer)

Ce voyant s'allume lorsque le cycle de lavage est terminé. Il reste allumé pour rappeler que la vaisselle est propre. Le voyant s'éteindra dès l'ouverture de la porte.

### Cycle Status

(Statut du cycle)  
(certains modèles)

Le voyant sur le devant de la porte changera de couleur pour indiquer l'état d'avancement du lavage. Durant le cycle de lavage, le voyant sera de couleur ambre ou bleu. Une fois le cycle de lavage terminé, le voyant passe au blanc.

### Sounds (Sons)

Le lave-vaisselle émettra un bip pour indiquer la fin d'un cycle, une pression de touche ou l'ouverture de la porte.

### Muet

Pour activer ou désactiver (ON/OFF) les sons des commandes du lave-vaisselle, pressez **Dry Boost** 5 fois en moins de 5 secondes.

### Sabbat/Door Wake Up

Mode (Mode d'activation de la porte)  
(certains modèles)

Pour activer ou désactiver (ON/OFF) cette option, maintenez enfoncées les touches **Cycle Select** et **Wash Temp Boost** pads 5 secondes, fermez la porte et attendez 3 minutes que le lave-vaisselle passe en mode veille. Dans la position OFF, l'affichage et les sonorités des commandes et les lampes intérieures (certains modèles) ne répondront pas à l'ouverture ou la fermeture de la porte. Ce mode peut être utilisé lors de l'observation de certains rites religieux tels que le sabbat. Pour activer la commande et les lampes intérieures (certains modèles), pressez n'importe quelle touche.

### Smart Assist (Assistance intelligente)

(certains modèles)

La connexion de votre lave-vaisselle à SmartHQ vous offrira des capacités et des renseignements améliorés pour la fonction Smart Assist (Assistance intelligente) afin de maintenir des performances de lavage et de séchage optimales. La fonction Smart Assist (Assistance intelligente) est conçue pour surveiller la fonctionnalité de votre lave-vaisselle et vous aidera à assurer des performances optimales. Consultez la section Communication avec l'appareil pour obtenir des instructions sur la façon de vous connecter.

## Distributeurs

### Vérification de la température de l'eau

L'eau qui alimente le lave-vaisselle doit être à une température d'au moins 49°C (120°F) et d'au plus 66°C (150°F) pour que l'action de lavage soit efficace et pour prévenir tout dommage à la vaisselle. Vérifiez la température de l'eau avec un thermomètre à bonbons ou à viande.

Ouvrez le robinet d'eau chaude le plus près du lave-vaisselle, placez le thermomètre dans un verre et laissez l'eau couler continuellement dans le verre jusqu'à ce que la température cesse d'augmenter.

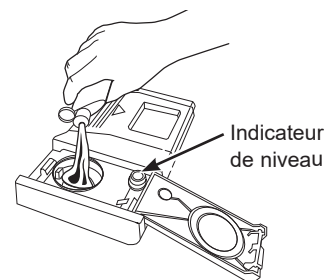
### Utilisation d'un produit de rinçage

Les agents de rinçage de haute qualité tels que le produit de rinçage **Cascade® Platinum™ Power Dry™ Rinse Aid** ou **Finish® Jet-Dry® Rinse Aid** sont conçus pour une meilleure efficacité au séchage et une protection contre les taches et le film susceptibles de se former sur la vaisselle, la verrerie, la coutellerie, la batterie de cuisine et le plastique.

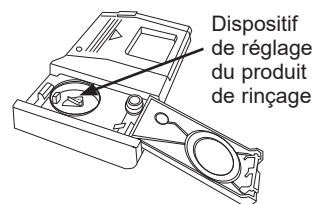
### Remplissage du distributeur

Le distributeur de produit de rinçage contient 104 ml (3,5 oz) de produit de rinçage. Dans des conditions normales de fonctionnement, cette quantité est suffisante pour environ un mois - selon le réglage.

- 1 Assurez-vous que la porte du lave-vaisselle est entièrement ouverte.
- 2 Ouvrez le couvercle du distributeur de produit de rinçage.
- 3 Ajoutez lentement le produit de rinçage jusqu'à remplir le contenant. Il se peut que vous deviez vous arrêter à quelques reprises pour permettre la décantation.  
**REMARQUE** : La fenêtre indicatrice ne s'allume pas.



- 4 Nettoyez le produit de rinçage renversé avec un linge humide afin de prévenir la formation de mousse à l'intérieur du lave-vaisselle.
- 5 Fermez le couvercle du distributeur de produit de rinçage.



### Dosage du produit de rinçage

Vous pouvez régler la quantité de produit de rinçage versée au rinçage final. Si des taches de gouttes d'eau ou d'eau dure subsistent sur la vaisselle après le cycle de séchage, augmentez ce dosage.

### Pour régler le dosage

Ouvrez le couvercle du distributeur de produit de rinçage ; puis tournez le doseur dans le sens des aiguilles d'une montre pour augmenter la quantité du produit de rinçage, et dans le sens inverse des aiguilles pour réduire la quantité.



Dans le sens des aiguilles d'une montre pour réduire les taches de gouttes d'eau et d'eau dure.



Dans le sens inverse des aiguilles pour réduire le moussage.

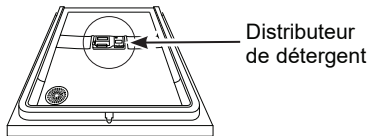


# Distributeurs

## Distributeur de détergent

Le distributeur de détergent est situé au centre de la porte du lave-vaisselle. Il comporte deux compartiments. Le compartiment de lavage principal se trouve à l'intérieur du distributeur de détergent. Pour l'ouvrir, appuyez sur le bouton sur le côté du distributeur. Le compartiment de pré-lavage se situe sur le couvercle du distributeur de détergent. Utilisez le compartiment de pré-lavage uniquement lorsque l'eau est extrêmement dure ou que la vaisselle est très sale. Le compartiment de pré-lavage n'est pas utilisé lorsque du détergent en pastille ou en sachet est employé.

**REMARQUE :** N'obstruez pas le distributeur de détergent en plaçant des vaisselle trop larges ou longs à proximité.



Vous pouvez utiliser du détergent à lave-vaisselle en tablettes, en poudre, en liquide ou en gel. Assurez-vous de n'utiliser que des détergents spécifiquement adaptés aux lave-vaisselle automatiques. N'utilisez jamais de détergent liquide pour le lavage de la vaisselle à la main. Si vous utilisez un détergent inadapté, il se formera de la mousse et le lavage ne sera pas optimal.

Il est important de conserver le détergent dans un endroit sec et dans son emballage d'origine afin qu'il ne perde pas de son efficacité. Par conséquent, ne versez le détergent dans le distributeur qu'au moment de mettre le lave-vaisselle en marche, puis fermez le couvercle. Le couvercle s'ouvrira pendant le programme.

## Remplissage du distributeur de détergent

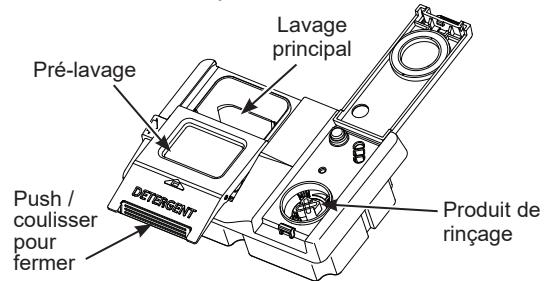
Nous vous recommandons d'utiliser un détergent de haute qualité sous forme de tablette ou de sachet. Des essais indépendants ont démontré que ce type de détergent est très efficace dans le lave-vaisselle. **Cascade® Platinum™ ActionPacs™** ou **Finish® Quantum® Powerball®** est un exemple de ce type de détergent. Cependant, certains détergents à dose unique ne sont pas conçus pour des cycles plus courts. Si vous rencontrez des problèmes de lavage avec ces comprimés ou ces paquets, suivez les instructions ci-dessous :

**Cycles de rinçage** - NE PAS utiliser de détergents. (Ces cycles sont conçus pour le rinçage de la vaisselle uniquement, pas pour enlever la saleté.)

**Cycles de lavage inférieurs à 60 minutes (sans options supplémentaires de séchage ou de lavage)** - Placez un comprimé ou un paquet dans le compartiment de pré-lavage du gobelet à détergent ou au fond du lave-vaisselle. (Ces cycles sont conçus pour être plus courts, ce qui peut entraîner un mauvais lavage du détergent si le détergent est placé dans le compartiment de lavage principal du godet à détergent. Les performances de lavage en seront diminuées.)

**Cycles de lavage de 60 minutes ou plus (sans options supplémentaires de séchage ou de lavage)** - Placez un comprimé ou un paquet dans le compartiment de lavage principal du gobelet à détergent et fermez le couvercle du gobelet à détergent. (Ces cycles sont conçus pour des sols plus difficiles et auront probablement plus de remplissages / de drains que les cycles plus courts. Si la tablette ou la dose est déposée dans le compartiment de pré-lavage ou au fond du lave-vaisselle, le détergent sera éliminé très rapidement et sera donc inutilisé. Les performances de lavage seront alors très mauvaises.

Si vous choisissez d'utiliser un détergent en poudre, liquide ou en gel, la quantité utilisée sera fonction de la dureté et de la température de votre eau ainsi que de degré de salissure de votre vaisselle. Contactez votre compagnie distributrice des eaux pour obtenir des informations sur la dureté de l'eau dans votre région. La dureté de l'eau se mesure en grains par gallon. Utilisez cette information et le tableau ci-dessus pour déterminer la quantité de détergent à utiliser. Vous pouvez également acheter des bandes tests de dureté de l'eau auprès de GE Appliances. Appelez le 800-661-1616 et demandez le numéro de pièces **WD01X10295**.

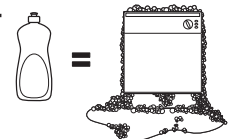


Utilisez le tableau comme point de départ puis ajustez la quantité de détergent que vous utilisez. Utilisez juste assez de détergent pour obtenir une qualité de lavage adéquate. L'utilisation de la quantité appropriée procurera une excellente qualité de lavage sans gaspiller de détergent ou attaquer la verrerie.

| Nombre de grains/gal. | Niveau de compartiment(s) de détergent à remplir                      |
|-----------------------|---|
| Moins de 4            | Remplir le compartiment au 1/3  |
| 4 à 8                 | Remplir le compartiment au 2/3  |
| 8 à 12                | Remplir le compartiment complètement                                  |
| Plus de 12            | Remplissez le compartiment de lavage principal et celui du pré-lavage |

L'utilisation de trop de détergent avec une eau trop douce et/ ou trop chaude peut attaquer chimiquement votre verrerie. Le « voile » qui en résulte affectera votre verrerie en permanence. Cette situation est irréversible. Toutefois, trop peu de détergent peut affecter les performances de lavage.

**N'UTILISEZ PAS DE DÉTERGENT LIQUIDE POUR LE LAVAGE DE LA VAISSELLE À LA MAIN**



**REMARQUE :** Si vous utilisez un détergent qui n'est pas conçu pour les lave-vaisselle, il se formera de la mousse à l'intérieur de l'appareil. Pendant le fonctionnement, cette mousse sortira par les événements de l'appareil et s'écoulera sur le plancher de cuisine.

Comme bon nombre de contenants de détergent se ressemblent, rangez le détergent pour lave-vaisselle à part de vos autres produits nettoyants. Montrez le bon détergent à toute personne susceptible d'utiliser le lave-vaisselle, ainsi que l'endroit où vous le gardez.

Même si l'utilisation d'un détergent non conçu pour les lave-vaisselle automatiques ne risque pas de causer des dommages permanents à votre appareil, votre vaisselle ne sera pas aussi propre.

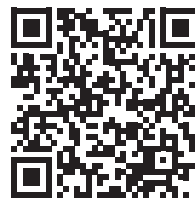
# À propos de la communication avec l'appareil

## WiFi Connect (certains modèles) (pour les clients aux États-Unis)

Votre lave-vaisselle est doté de la technologie GE Appliances WiFi Connect. Une carte de communication pour réseau WiFi est intégrée au produit afin d'établir une communication à distance avec votre téléphone intelligent afin de surveiller, commander et recevoir des notifications.

- 1) Utilisez le code QR pour télécharger l'application SmartHQ et y accéder, ou rendez-vous sur [www.GEAppliances.com/connect](http://www.GEAppliances.com/connect).
- 2) Suivez les instructions de l'application pour connecter votre lave-vaisselle.

Connectivité WiFi : Veuillez GE Appliances appeler au numéro **800.220.6899** pour obtenir de l'aide au sujet de votre appareil ou la connectivité de réseau **U+Connect**.



*Cet appareil est conforme à la Partie 15 des Règlements de la FCC. Son utilisation est soumise aux deux conditions suivantes :*

1. *Cet appareil ne peut pas provoquer des interférences nuisibles, et*
2. *Cet appareil doit accepter toutes interférences reçues, y compris des interférences pouvant provoquer des opérations non souhaitées. Cet équipement a été éprouvé et est conforme aux limites d'un appareil numérique de Classe B, en accord avec la Partie 15 des Règlements de la FCC. Ces limites ont été conçues pour offrir une protection raisonnable contre des brouillages dans une installation résidentielle. Cet équipement produit, emploie et peut émettre des fréquences radio et peut provoquer des parasites aux communications radio s'il n'est pas installé et utilisé conformément aux instructions. Toutefois, il n'y a aucune garantie qu'aucune interférence ne se produira dans une installation particulière. Si cet équipement provoque des interférences à la réception de chaînes de radio ou de télévision, ce qui peut être déterminé en mettant l'équipement sous tension et hors tension, l'utilisateur est encouragé à essayer de corriger ces interférences avec l'une ou plusieurs des mesures suivantes :*
  - Réorienter ou repositionner l'antenne de réception.
  - Augmenter la distance séparant l'équipement et le récepteur.
  - Brancher l'équipement sur une prise sur un circuit différent de celui auquel le récepteur est branché.
  - Consulter le vendeur ou un technicien radio/TV expérimenté pour obtenir de l'aide.

**Étiquetage** : Les changements ou les modifications à cet appareil non expressément approuvés par le fabricant peuvent annuler le droit de l'utilisateur de faire fonctionner l'appareil.

# Chargement

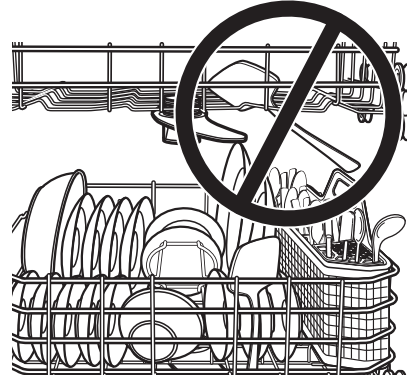
Pour un lavage optimal, veuillez suivre les lignes directrices ci-dessous pour le chargement des paniers. Les caractéristiques et l'apparence des paniers et du panier à couverts peuvent être différentes de celles de votre modèle.

## Panier supérieur

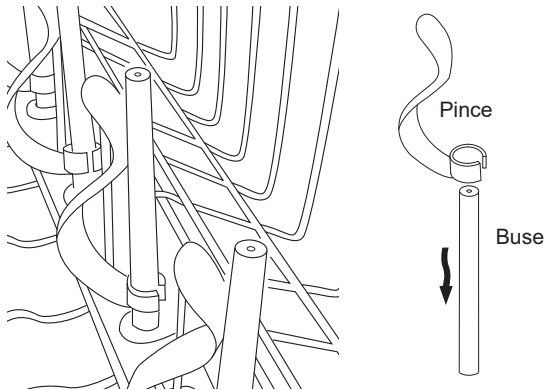
Le panier supérieur est principalement destiné aux verres, aux tasses et aux soucoupes. Pour de meilleures performances de lavage, inclinez tasse et ouvertures vitrées vers le centre de la panier. Otros ítems tales como ollas, cacerolas y platos pueden être placés dans le panier supérieur. C'est aussi un endroit sûr pour les articles de plastique qui vont au lave-vaisselle. Le panier supérieur peut être utilisé pour les ustensiles aux dimensions spéciales. Les poêlons, les bols à mélanger et d'autres articles de taille similaire doivent être placés à l'envers pour un meilleur résultat de lavage. Veuillez à ce que les petits articles en plastique ne puissent bouger car ils pourraient s'endommager en tombant dans l'élément chauffant au fond du lave-vaisselle. Certains modèles sont équipés d'un élément chauffant dissimulé, de sorte que les articles en plastique qui vont au lave-vaisselle peuvent être placés dans le panier inférieur.

**IMPORTANT :** Assurez-vous que les articles dans le panier supérieur ne gênent pas le 3e panier (certains modèles) lors du chargement ou déchargement.

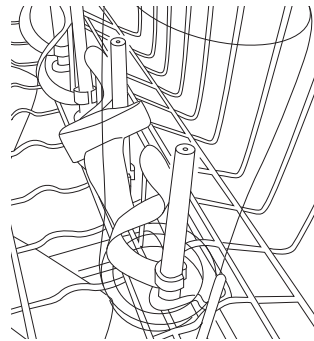
**IMPORTANT :** Il est important de faire en sorte que les articles ne dépassent pas du bas du panier ou du panier à couverts pour ne pas gêner la rotation du bras gicleur intermédiaire. Cette situation pourrait causer du bruit pendant le fonctionnement et/ou un lavage de piètre qualité.



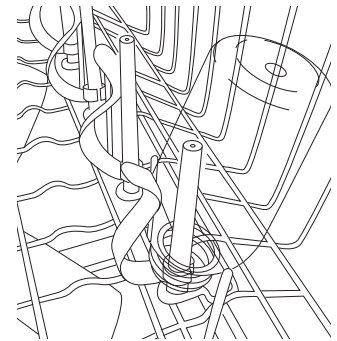
Le système  **Bottle Jets**  (jets de bouteilles) (certains modèles) est l'endroit idéal pour placer les bouteilles pour bébé, les bouteilles de sports allongées, ou d'autres articles allongés munis d'un orifice étroit. Les pinces du système  **Bottle Jets**  maintiennent les bouteilles dotées de petits orifices en place de façon que les jets d'eau puissent atteindre l'intérieur des bouteilles afin de nettoyer les zones d'accès difficile. Les pinces peuvent être placées ou retirées simplement en glissant l'orifice de la pince sur le dessus de la buse.



Jets de bouteille



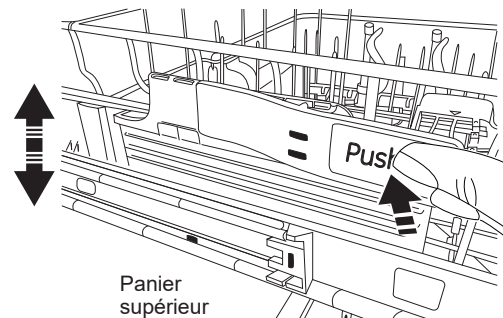
Bouteille de sports maintenue en place sur une pince de Bottle Jets (jets de bouteilles)



Bouteille de bébé maintenue en place sous pince de Bottle Jets (jets de bouteilles)

**ATTENTION** Un panier supérieur chargé peut être plus lourd qu'il ne semble. Évitez de soulever ou d'abaisser ce panier s'il est chargé afin d'éviter les blessures et d'endommager son contenu.

Le panier supérieur permet un ajustement de 5 cm vers le haut ou le bas pour recevoir les gros articles. Le panier supérieur peut être abaissé en poussant les longs rabats de chaque côté du panier. Cela vous permettra d'abaisser le panier (voir l'illustration du panier supérieur). Pour monter le panier, soulevez-le jusqu'à ce que le panier se verrouille en place.

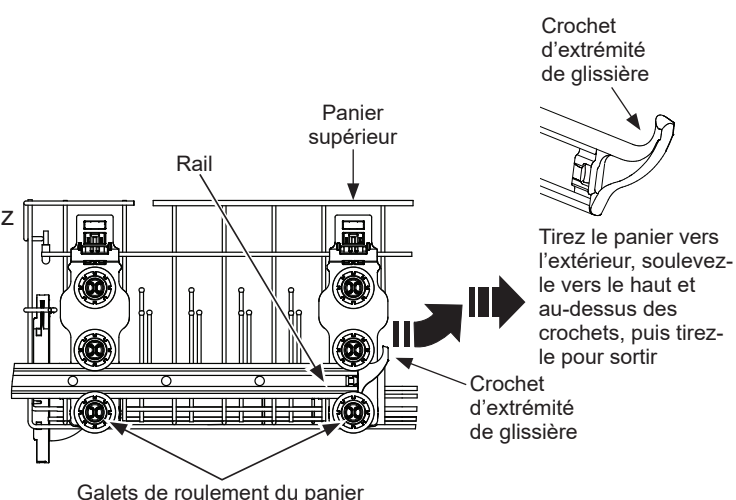


Panier supérieur

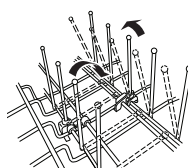


# Chargement

Sur certains modèles, le panier supérieur peut être ajusté pour recevoir les articles de plus grande taille. Pour ajuster le panier supérieur, tirez-le jusqu'au bout et soulevez son devant pour que ses roulettes passent par-dessus les crochets d'extrémité à l'avant des glissières. Continuez de tirer le panier jusqu'à ce que les roulettes restantes se dégagent de crochets. Sélectionnez le jeu de roulettes sur le côté du panier qui procure la hauteur désirée, et réinstallez le panier supérieur en alignant ses roulettes sur les crochets d'extrémité et les glissières. Assurez-vous que des roulettes se trouvent au-dessus et au-dessous des glissières. Le défaut d'aligner correctement les roulettes sur les crochets et les glissières peut causer la chute du panier du lave-vaisselle.



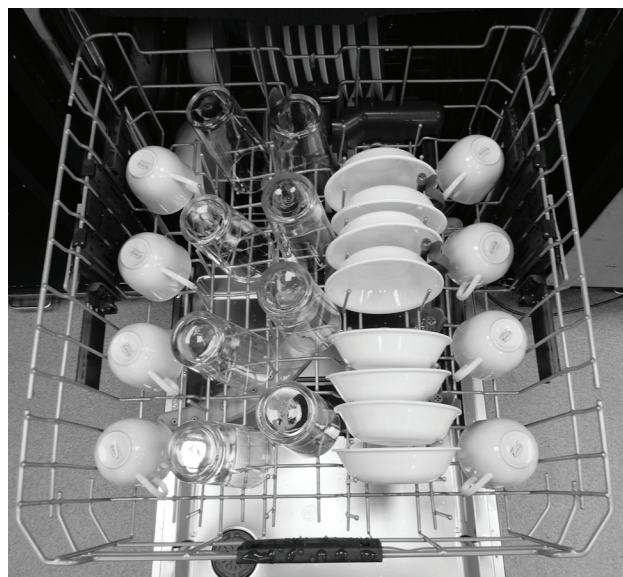
Les tiges rabattables (certains modèles) ajoutent de la flexibilité supplémentaire pour le chargement des articles de grande taille ou difficiles à placer. Ces tiges rabattables peuvent être positionnées à la verticale ou en position couchée.



Pour un lavage optimal, veuillez suivre les lignes directrices ci-dessous pour le chargement des paniers. Les caractéristiques et l'apparence des paniers et du panier à couverts peuvent être différentes de celles de votre modèle.

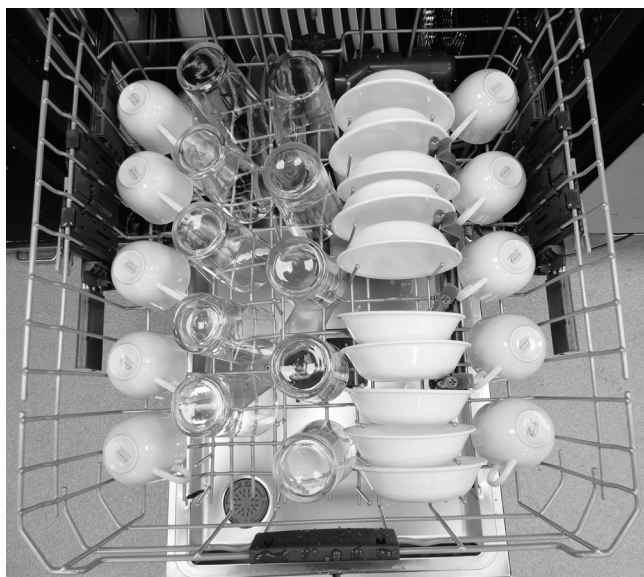
## 8 couverts - Panier supérieur

Modèles - GD\*650, GD\*665, GD\*670, PD\*715



## 10 couverts - Panier supérieur

Modèles - GD\*650, GD\*665, GD\*670, PD\*715



# Chargement

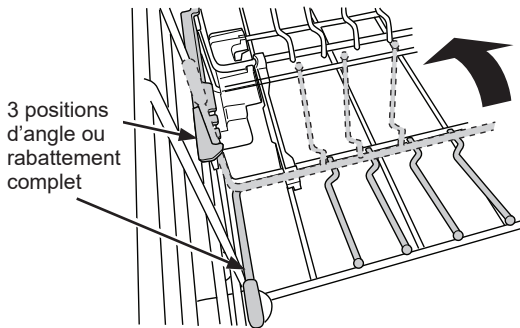
Pour un lavage optimal, veuillez suivre les lignes directrices ci-dessous pour le chargement des paniers. Les caractéristiques et l'apparence des paniers et du panier à couverts peuvent être différentes de celles de votre modèle.

## Panier inférieur

Le panier inférieur est destiné aux assiettes, aux soucoupes et aux articles de batterie de cuisine. Les gros articles tels que les lèchefrites et les plaques à pâtisserie doivent aller sur les côtés du panier. Si nécessaire, les verres et les tasses de grande taille peuvent être placés dans le panier inférieur pour optimiser le chargement. Les assiettes, les soucoupes et les articles similaires doivent être placés entre les tiges dans la direction qui permet un appui sûr.

**REMARQUE :** Ne placez pas les gros articles dans le panier inférieur où ils risquent de bloquer les jets qui rincent le distributeur de détergent.

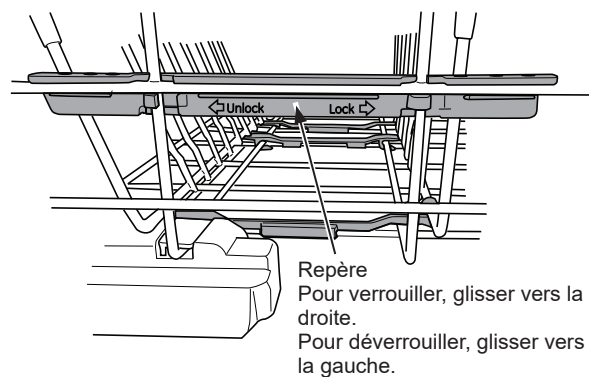
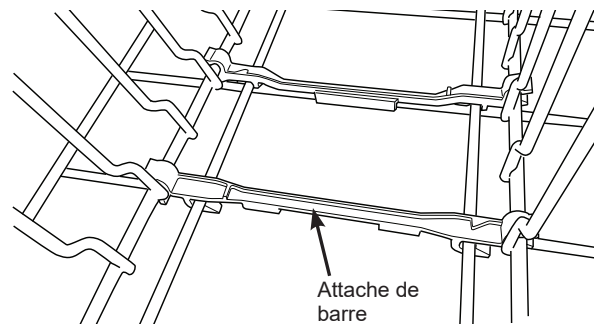
Les **tiges rabattables** du panier inférieur (certains modèles) peuvent être placées à différents angles ou à plat afin de permettre le chargement des articles de grande taille ou difficiles à placer.



**⚠ AVERTISSEMENT** Les attaches peuvent constituer un risque d'étouffement pour les enfants en bas âge si elles sont retirées du lave-vaisselle. Gardez-les à l'écart des enfants.

Pour changer la direction des **tiges rabattables**, abaissez-les puis tirez sur les attaches qui fixent les tiges, au panier et retirez-les. Inversez la direction des tiges en orientant la poignée du côté opposé du panier. Refixez les tiges aux attaches en les poussant jusqu'à ce qu'elles s'enclenchent en place. Le repère devra aussi être placé du côté opposé du lave-vaisselle. Pour retirer le repère, le glisser simplement dans la direction désignée « unlock » (déverrouiller). Ensuite, alignez le repère sur le panier de l'autre côté et glissez-le dans la direction désignée « lock » (verrouiller) afin de refixer le repère au panier.

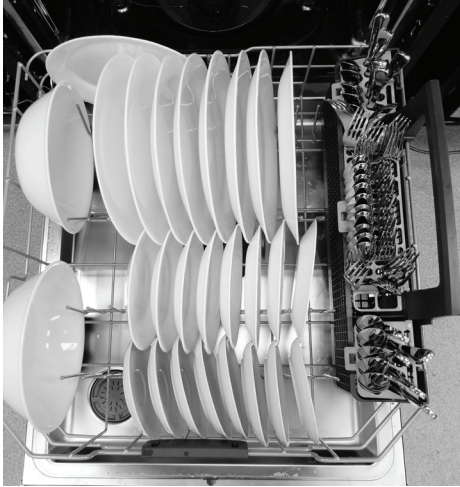
**IMPORTANT :** Il est important de faire en sorte que les articles ne dépassent pas du bas du panier ou du panier à couverts (certains modèles) pour ne pas gêner la rotation du bras gicleur inférieur. Assurez-vous aussi que les grandes assiettes, les pots et les autres articles de grande taille ne percutent le bras gicleur intermédiaire. Cette situation pourrait causer du bruit pendant le fonctionnement et/ou un lavage de piètre qualité.



## Chargement

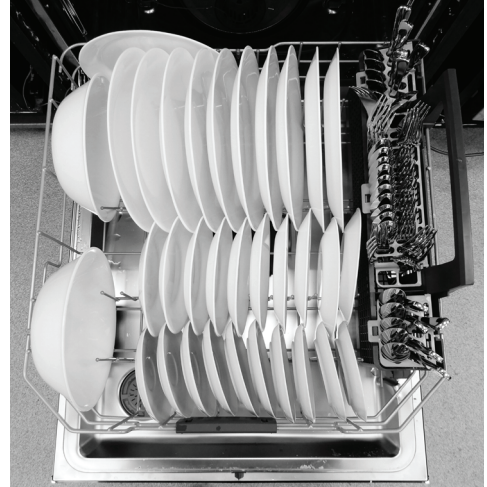
### 8 couverts - Panier inférieur

Modèles - GD\*650, GD\*665, GD\*670, PD\*715



### 10 couverts - Panier inférieur

Modèles - GD\*650, GD\*665, GD\*670, PD\*715





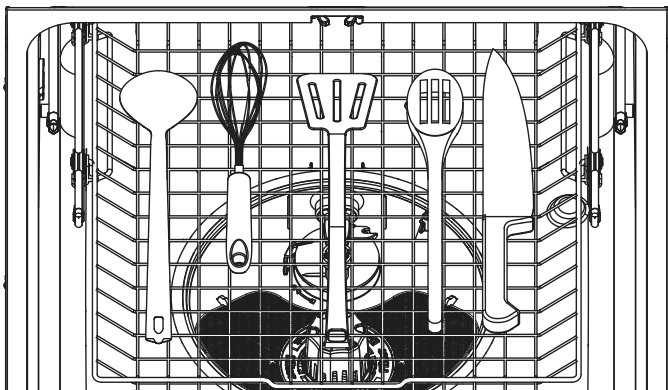
## Chargement

Pour un lavage optimal, veuillez suivre les lignes directrices ci-dessous pour le chargement des paniers. Les caractéristiques et l'apparence des paniers et du panier à couverts peuvent être différentes de celles de votre modèle.

### 3e panier (certains modèles)

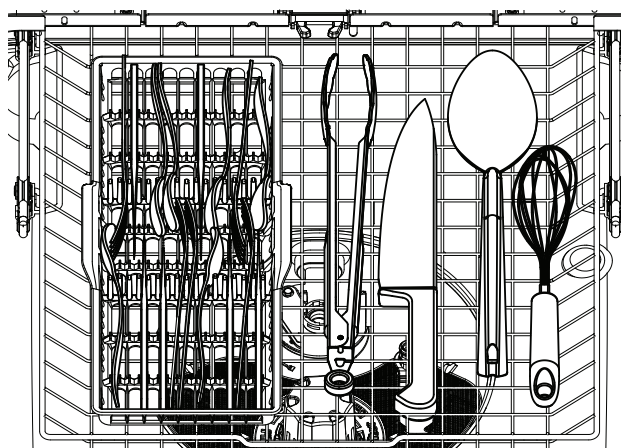
Le 3e panier est l'endroit recommandé pour y déposer l'argenterie et les ustensiles de plus grande taille.

**ATTENTION** Usez de prudence lors du chargement, du déchargement ou du transport des plateau à argenterie ou à ustensiles. Les plateau peuvent contenir des articles coupants ou lourds. La chute d'articles ou d'un plateau peut causer des blessures.



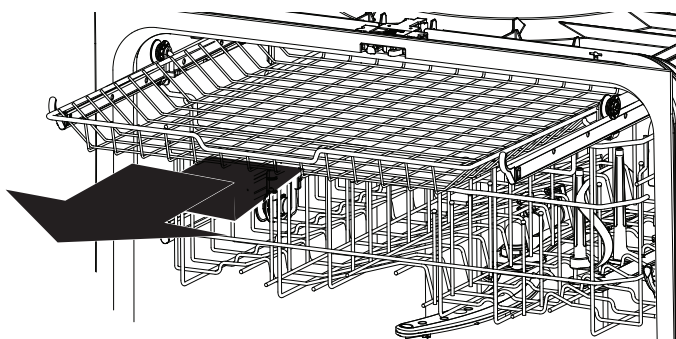
### REMARQUES IMPORTANTES :

- Évitez que la coutellerie faite de matériaux différents ne se touche dans le 3e panier. Autrement, cela pourrait causer une décoloration de la coutellerie.
- Les plateau ne sont conçus que pour servir dans le 3e panier GE Appliances pour organiser l'argenterie, les ustensiles de cuisson et d'autres petits articles. L'utilisation des plateau à d'autres fins risque de les endommager ou d'endommager des objets à leur contact.
- Assurez-vous de fermer totalement le 3e panier avant de pousser la porte du lave-vaisselle. Pousser la porte avec le panier partiellement tiré peut endommager le lave-vaisselle.



Le 3e panier est aussi amovible pour permettre le placement de gros articles dans le panier supérieur :

### Pour retirer le 3e panier à plateau :



- 1 Sortez complètement le panier, soulevez la partie avant du panier de manière à ce que les galets de roulement du panier dépassent les crochets de blocage.
- 2 Continuez de tirer le panier jusqu'à ce que les galets de roulement du panier dépassent les crochets de blocage.
- 3 Remplacez le panier en alignant les galets de roulement du panier sur les crochets de blocage et les rails du panier – assurez-vous que les galets de roulement sont bloqués sur le dessus des rails du panier.

# Chargement

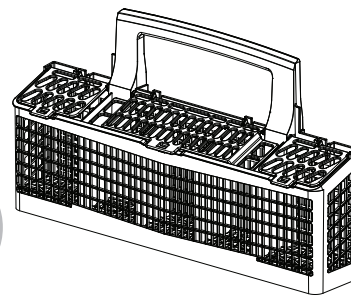
L'argenterie ou la coutellerie est disposée dans les couvercles du panier à couverts. Cette façon de procéder permet d'obtenir une excellente qualité de lavage de l'argenterie. Cette disposition prévient l'imbrication des ustensiles et ainsi le lavage uniforme de ceux-ci.

## Panier à couverts

Placez les ustensiles dans les paniers amovibles pour couverts. Les objets pointus, comme les fourchettes et les couteaux, peuvent être placés avec les poignées vers le haut de façon à protéger vos mains. Pour les meilleurs résultats de lavage, placez les autres articles comme les cuillères avec la poignée vers le bas. Évitez de regrouper les articles afin de favoriser un lavage optimal. Lors du chargement, répartissez les articles uniformément dans le panier.

Les paniers amovibles pour couverts peuvent aussi servir pour les petits articles, tels que cuillères à mesurer, sucres de bouteille pour bébé, capuchons de plastique ou porte-épis de maïs. Les couvercles des paniers amovibles peuvent être fermés pour contenir les petits articles.

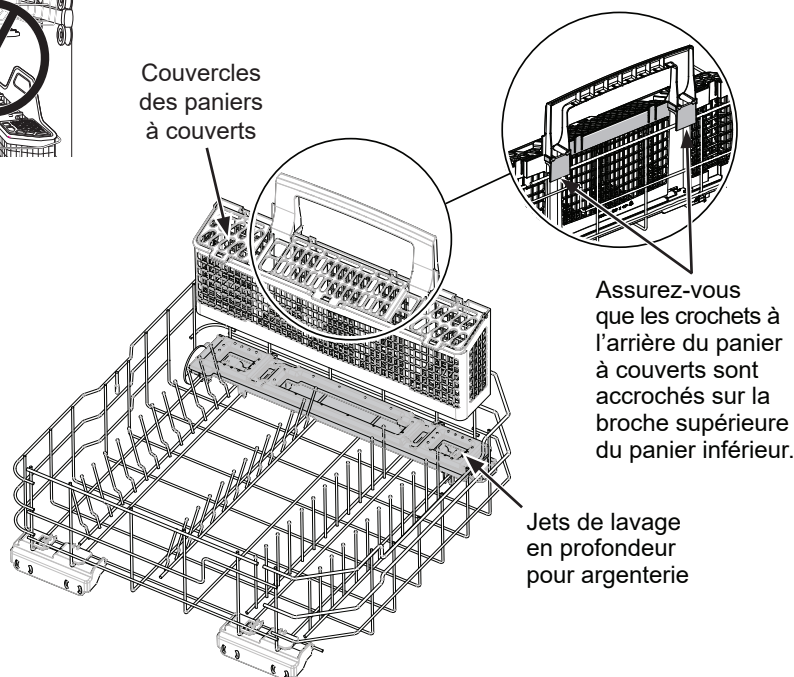
**IMPORTANT :** Il est important de faire en sorte que les articles ne dépassent pas du bas du panier ou du panier à couverts pour ne pas gêner la rotation du bras gicleur intermédiaire. Cette situation pourrait causer du bruit pendant le fonctionnement et/ou un lavage de piètre qualité.



## Jets de lavage en profondeur pour argenterie (on some models)

Les jets de lavage en profondeur pour argenterie ciblent les dépôts alimentaires difficiles à déloger et aident à séparer les cuillères et les fourchettes emboîtées afin de garder l'argenterie exempte de taches peu importe la façon dont elle est placée. Pour un lavage optimal de l'argenterie, nous recommandons de toujours utiliser les couvercles des paniers à couverts. S'il s'agit d'un modèle doté d'un troisième panier, les jets de lavage en profondeur peuvent aussi servir à laver les bols à mélanger et d'autres ustensiles.

N'enlevez pas l'assemblage des jets de lavage en profondeur pour argenterie du panier du lave-vaisselle.



8 couverts - Panier à couverts Modèles - GD\*650, GD\*665, GD\*670, PD\*715



10 couverts - Panier à couverts - Modèles - GD\*650, GD\*665, GD\*670, PD\*715



**REMARQUE :** Pour un chargement facultatif de l'argenterie, reportez-vous au **Chargement du 3<sup>e</sup> panier** dans la présente section.

# Entretien et nettoyage

## Tableau de commande

Pour nettoyer le tableau de commande, utilisez un chiffon doux légèrement humide, puis asséchez-le.

## Panneau de la porte

Avant de nettoyer le panneau avant de la porte, vérifiez de quel type de panneau il s'agit. Vérifiez les deux dernières lettres de votre numéro de modèle. Vous trouverez le numéro de votre modèle sur la paroi gauche de la cuve, tout juste à l'intérieur de la porte. Si votre numéro de modèle se termine par les lettres BB, DS, D1, ES, FS, TS, WW ou W2 votre appareil est doté d'un panneau de porte peint. Si votre numéro de modèle se termine par les lettres SS ou S1, votre appareil est doté d'un panneau de porte en acier inoxydable. Si votre numéro de modèle se termine par « II », alors il est doté d'un panneau de porte intégré.

Veuillez suivre les directives ci-dessous pour nettoyer le panneau de porte de votre modèle.

**Panneau de porte peint / enduit** (numéro de modèle se terminant par BB ou D1-noir, DS-ardoise noir, ES-ardoise, FS-résistant aux empreintes digitales, TS-acier inoxydable noir, ou WW or W2-blanc) Utilisez un chiffon doux et propre légèrement humide, puis séchez.

**Panneau de porte en acier inoxydable** (numéro de modèle se terminant par SS ou S1)

**Pour faire disparaître la rouille**, le ternissement et les petites imperfections, utilisez des nettoyeurs à l'acide oxalique tels que Bar Keepers Friend Soft Cleanser™. Utilisez uniquement un nettoyeur liquide exempt d'abrasif et frottez dans la direction des lignes de brosse à l'aide d'une éponge douce humide. N'utilisez pas de cire ou de produit à polir pour électroménagers sur l'acier inoxydable.

**Pour faire disparaître d'autres imperfections ou marques**, utilisez le nettoyeur Stainless Steel Magic ou un produit similaire avec un linge doux humide. N'utilisez pas de cire pour électroménagers, d'agents polissants, de javellisants ni de produits chlorés sur l'acier inoxydable. Vous pouvez commander le produit nettoyeur Stainless Steel Magic (no WX10X29) auprès du service des Pièces GE Appliances en composant le 877.959.8688. Au Canada, composez le 1-800-661-1616.

## l'intérieur du lave-vaisselle

Pour nettoyer et désodoriser votre lave-vaisselle, utilisez de l'acide citrique, ou le produit **Cascade® Platinum™ Dishwasher Cleaner** ou **Finish® Dishwasher Cleaner**, un additif détergent. Ils délogeront les dépôts minéraux et feront disparaître la pellicule et les taches d'eau dure. Vous pouvez commander de l'acide citrique n° WD35X151 au service des Pièces de GE Appliances au numéro 1.877.959.8688 ou sur le site [GEApplianceparts.com](http://GEApplianceparts.com). Au Canada, composez le 1-800-661-1616. Vous pouvez acheter des nettoyeurs pour lave-vaisselle à votre épicerie locale.

## Porte intérieure en acier inoxydable et d'un bain

L'acier inoxydable utilisé pour fabriquer la cuve et la porte intérieure du lave-vaisselle procure la plus haute fiabilité dans la gamme des lave-vaisselle GE Appliances. Si la cuve et la porte intérieure du lave-vaisselle devaient être rayées ou ébréchées dans le cours d'un usage normal, elles ne rouilleront pas pour autant. Les dommages en surface n'affecteront pas leur fonction et leur durabilité.

## Entretien et nettoyage

### Filtres

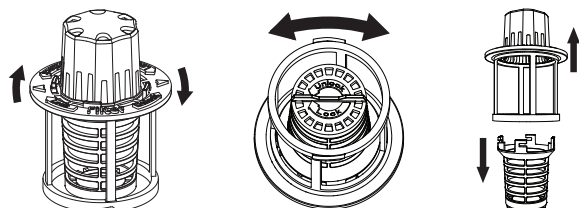
Inspectez et nettoyez les filtres régulièrement. Il importe de le faire tous les deux mois ou plus souvent selon l'usage. Le besoin de nettoyer les filtres se remarque par une performance moindre de lavage ou lorsque la vaisselle semble rugueuse.

### Ensemble de Filtre Ultra-Fin

Pour nettoyer l'ensemble de Filtre Ultra-Fin, retirez le panier inférieur. Tournez l'ensemble de Filtre Ultra-Fin dans le sens antihoraire et le soulever pour le retirer pour le nettoyer. Rincez le filtre à l'aide d'eau tiède savonneuse et utilisez une éponge pour essuyer les particules résistantes.

Pour les modèles avec un ensemble l'ensemble de Filtre Ultra-Fin en 2 pièces avec un panier de filtre supplémentaire pour les particules d'aliments, tournez le panier de filtre dans le sens inverse des aiguilles d'une montre pour le déverrouiller de l'ensemble de filtre Ultra-fin. Voir les flèches directionnelles au bas du panier-filtre. Tirez sur le panier-filtre pour le retirer de l'ensemble, jetez toutes les particules d'aliments, rincez-le à l'eau chaude savonneuse et utilisez une éponge pour éliminer les particules tenaces.

L'ensemble de Filtre Ultra-Fin en 2 pièces avec panier de filtre supplémentaire (sur certains modèles)

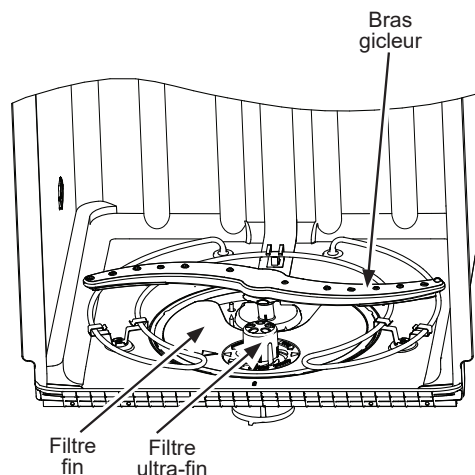


Une fois nettoyé, remplacez le filtre dans l'assemblage de Filtre Ultra-Fin et tournez-le dans le sens des aiguilles d'une montre pour le verrouiller.

### Filtre Fin

Pour nettoyer le Filtre fin (plaque grillagée plate), retirez le panier inférieur. Retirez le Filtre ultra-fin.

Soulevez le Filtre fin et dégagez-le du dessous des deux languettes de retenue arrière. Rincez le filtre dans l'eau tiède savonneuse. L'utilisation de tampons à récurer ou de brosses peut rayer le filtre. Utilisez une brosse douce ou une éponge pour enlever la saleté rebelle ou les dépôts de calcium laissés par l'eau dure. Une fois nettoyé, remplacez le Filtre fin en vous assurant qu'il se place en dessous des deux languettes de retenue arrière. Remplacez le Filtre ultra-fin.



### Protection contre le gel

Si vous laissez votre lave-vaisselle dans un endroit non chauffé pendant l'hiver, demandez à un technicien d'effectuer les tâches qui suivent :

- 1 Enlever l'alimentation électrique du lave-vaisselle. Enlever les fusibles ou déclencher les disjoncteurs.
- 2 Couper l'alimentation en eau et débrancher la conduite d'alimentation en eau de l'électrovanne.

- 3 Vidanger l'eau de la conduite d'alimentation et de l'électrovanne (utiliser un récipient pour recueillir l'eau)
- 4 Rebrancher la conduite d'alimentation en eau à l'électrovanne de l'appareil.

### Votre lave-vaisselle est-il doté d'une coupure antirefoulement?

Votre lave-vaisselle est-il doté d'une coupure antirefoulement?

Une coupure antirefoulement protège votre lave-vaisselle contre les refoulements d'eau lors d'un blocage du renvoi. Ce dispositif ne fait pas partie de la garantie. Puisque tous les codes de plomberie n'exigent pas de coupures antirefoulement, il est possible que vous n'ayez pas un tel dispositif.

Coupure antirefoulement



Vérifiez la coupure antirefoulement dès que votre lave-vaisselle ne se vide pas bien.

Il est facile de nettoyer la coupure antirefoulement.

- 1 Arrêtez le lave-vaisselle et enlevez le couvercle de la coupure antirefoulement.
- 2 Enlevez le capuchon en plastique sous le couvercle et nettoyez-le à l'aide d'un cure-dents.
- 3 Remplacez le capuchon et le couvercle une fois la coupure antirefoulement nettoyée.



# Conseils de dépannage...Avant d'appeler un réparateur

| Problème   | Causes possibles   | Correctifs  |
|--|--|---|
| Le voyant Smart Assist (Assistance intelligente) est rouge                     | Un problème potentiel a été détecté avec votre machine.  | Utilisez l'application SmartHQ pour déterminer et résoudre le problème potentiel. Si vous n'êtes pas connecté(e) au Wi-Fi, vérifiez votre écran pour tout code et appelez pour obtenir une assistance.  |
| Le voyant Smart Assist (Assistance intelligente) est jaune                     | Une notification est disponible dans l'application SmartHQ.  | Utilisez l'application SmartHQ pour suivre les étapes recommandées.   |
| Le voyant d'état Start clignote  | La porte a été ouverte ou le cycle a été interrompu.   | Appuyez une fois sur la touche <b>Start</b> et fermez la porte en moins de 4 secondes pour démarrer le lave-vaisselle. Pendant que le lave-vaisselle fonctionne, n'appuyez de nouveau sur la touche Start que si vous souhaitez annuler le cycle.   |
| Le lave-vaisselle fait entendre un signal sonore (BIP) toutes les 30 secondes  | Ce signal vous rappelle que vous avez ouvert la porte du lave-vaisselle pendant le fonctionnement. Le signal se fera entendre jusqu'à ce que vous fermiez la porte et appuyez sur Start. | Appuyez sur <b>Start</b> et fermer la porte.  |
| Un signal sonore se fait entendre à la fin du programme (sur certains modèles) | Ce phénomène est normal. Le lave-vaisselle fait entendre deux signaux sonores à la fin du.   | Pour annuler ce double signal sonore (ou pour le remettre en fonction si vous l'aviez précédemment annulé), appuyez sur la touche Dry Boost 5 fois en moins de 3 secondes. Trois signaux sonores se feront entendre pour indiquer que vous avez annulé ou remis en fonction l'option du signal sonore à la fin du programme.  |
| La vaisselle et les couverts ne sont pas propres                               | Filtre ultra-fin ou fin est obstrué  | Voir la section <b>Entretien et nettoyage</b> .   |
|  | La température de l'eau est trop basse   | Assurez-vous que la température de l'eau qui alimente le lave-vaisselle est correcte (Voir la section <b>UTILISATION DU LAVE-VAISSELLE</b> ). Ouvrez le robinet d'eau chaude situé le plus près du lave-vaisselle, puis laissez couler l'eau jusqu'à ce que la température cesse de grimper. Mettez ensuite le lave-vaisselle en marche et fermez le robinet. Vous aurez ainsi la certitude que l'eau qui alimente le lave-vaisselle est chaude. Sélectionnez l'option <b>Boost</b> si elle disponible. |
|  | Faible pression d'eau temporaire   | Ouvrez un robinet. Le débit d'eau est-il plus faible que d'habitude? Si tel est le cas, attendez que la pression revienne à la normale avant d'utiliser votre lave-vaisselle. La pression d'eau normale du lave-vaisselle doit se situer en 20 et 120 lb/po2.   |
|  | Coupure anti-refoulement ou broyeur à déchets obstrués   | Nettoyez la coupure anti-refoulement ou rincez le broyeur à déchets.  |
|  | Boucle de drainage secondaires ou la coupure anti-refoulement n'est pas installé   | Reportez-vous aux instructions d'installation pour l'installation du tuyau d'évacuation adéquat.  |
|  | Chargement incorrect des paniers   | Assurez-vous que les articles de grande dimension ne bloquent pas le distributeur de détergent ou les bras gicleurs. Reportez-vous à la section Chargement des paniers du lave-vaisselle.   |
|  | Détergent donnant de mauvais résultats   | Utilisez des détergents de haute qualité tels que <b>Cascade® Platinum™ ActionPacs™</b> ou <b>Finish® Quantum® Automatic Dishwashing Detergent</b> (détergent à vaisselle automatique).   |

## Conseils de dépannage...Avant d'appeler un réparateur

| Problème  | Causes possibles  | Correctifs  |
|---|---|---|
| Taches et pellicule sur les verres et les couverts                      | Eau extrêmement dure  | Utilisez des agents de rinçage de haute qualité tels que l'agent de rinçage <b>Cascade® Platinum™ Power Dry™ Rinse Aid</b> ou <b>Finish® Jet-Dry® Rinse Aid</b> pour faire prévenir les taches et prévenir la formation d'une pellicule. Si l'eau est très dure, un adoucisseur peut s'avérer nécessaire.   |
|   | Basse température de l'eau  | Assurez-vous que la température de l'eau atteint au moins 49 °C (120 °F).   |
|   | Le lave-vaisselle est mal ou trop chargé  | Placez la vaisselle dans l'appareil de la façon indiquée à la section <b>Chargement des paniers du lave-vaisselle</b> .   |
|   | Le lave-vaisselle est ou humide   | Utilisez du détergent frais. Utilisez des détergents de haute qualité tels que <b>Cascade® Platinum™ ActionPacs™</b> ou <b>Finish® Quantum® Automatic Dishwashing Detergent</b> (détergent à vaisselle automatique).  |
|   | Distributeur de produit de rinçage vide   | Remplissez avec des agents de rinçage de haute qualité tels que l'agent de rinçage <b>Cascade® Platinum™ Power Dry™ Rinse Aid</b> ou <b>Finish® Jet-Dry® Rinse Aid</b> .  |
|   | Trop peu de détergent ou détergent donnant de mauvais résultats   | Assurez-vous d'utiliser une quantité correcte de détergent reconnu.   |
| Voile sur la verrerie   | Combinaison d'une eau trop douce et de trop de détergent  | Ceci est une « attaque chimique » et est irréversible. Pour éviter ce phénomène, utilisez moins de détergent si votre eau est douce. Lavez la verrerie sur le programme le plus court possible.   |
|   | Détergent sans phosphate peu efficace   | Voir <b>Une pellicule blanche sur la verrerie, la vaisselle en et les surfaces internes</b> du lave-vaisselle en dans la section <b>Dépannage</b> .   |
|   | Température de l'eau entrant dans le lave-vaisselle est supérieure à 150°F (66°C)   | Ceci pour être une « attaque chimique ». Abaissez la température de l'eau.  |
| Légère odeur provenant de l'appareil pendant la partie séchage du cycle | Cela est normal lorsque l'option Dry Boost est utilisée la première fois. Elle est causée par le réchauffement des nouvelles pièces et disparaîtra à brève échéance | Aucun correctif n'est requis.   |
| Mousse dans la cuve   | Mauvais détergent   | Utilisez uniquement des détergents pour lave-vaisselle automatiques de haute qualité pour éviter la formation de mousse. L'utilisation des <b>Cascade® Platinum™ ActionPacs™</b> ou <b>Finish® Quantum® Automatic Dishwashing Detergent</b> (détergent à vaisselle automatique) est approuvée dans tous les lave-vaisselles GE Appliances.<br>Pour faire disparaître la mousse de la cuve, ouvrez le lave-vaisselle et laissez-la se dissiper. Ouvrez la porte, appuyez sur <b>Start</b> bouton 3 secondes, puis fermez la porte. |
|   | Renversement de produit de rinçage  | Essayez immédiatement le produit de rinçage renversé.   |
| Il reste du détergent dans les distributeurs                            | La vaisselle ou des ustensiles empêche l'accès au compartiment à détergent  | Repositionnez la vaisselle afin que l'eau provenant du bras inférieur puisse atteindre le distributeur de détergent. Reportez-vous à la section <b>Chargement</b> .<br>Repositionnez les ustensiles longs ou l'argenterie lourde susceptible de bloquer l'ouverture du couvercle du distributeur. Consultez la section <b>Chargement</b> .<br>Ne pas placer de grands bols ou des pots directement dans le distributeur de détergent.   |
| Marques noires ou gris très sur la vaisselle                            | Frottement d'ustensiles en aluminium sur la vaisselle   | Faites disparaître ces marques à l'aide d'un produit nettoyant abrasif doux.  |



# Conseils de dépannage...Avant d'appeler un réparateur

| Problème  | Causes possibles  | Correctifs   |
|---|---|--|
| La vaisselle ne sèche pas   | Basse température de l'eau  | Assurez-vous que la température de l'eau qui alimente le lave-vaisselle atteint au moins 49 °C (120 °F).<br>Sélectionnez l'option <b>Boost Dry</b> .<br>Sélectionnez les options <b>Boost</b> .<br>Sélectionnez un programme dont l'action de lavage est plus puissante, comme <b>Steam-Sani</b> , <b>Presoak-Sani</b> , ou <b>Sanitize</b> .  |
|   | Le robinet d'eau chaude est peut-être fermé   | Assurez-vous que le robinet d'eau chaude (habituellement situé sous l'évier) est ouvert.   |
|   | Du temps de séchage supplémentaire est requis   | Laissez la porte fermée une fois le voyant Clean (propre) allumé pour laisser le ventilateur fonctionner durant un délai supplémentaire de 90 minutes.<br><b>Remarque</b> : Si vous ouvrez la porte, ce délai supplémentaire sera annulé.  |
| commande a réagi aux entrées, mais le lave-vaisselle ne s'est jamais rempli d'eau | La porte n'est peut-être pas totalement fermée.   | Assurez-vous que la porte soit bien fermée.  |
|   | Le robinet d'eau est peut-être fermé  | Assurez-vous que le robinet d'eau (normalement sous l'évier) soit ouvert.  |
|   | Flotteur d'inondation peut être coincé  | Retirez le filtre ultra-fin et tapoter sur la pièce sous le filtre ultra fine qui ressemble à une salière. Remplacez le filtre.  |
| Taches à l'intérieur de la cuve   | <b>Pellicule blanche sur les surfaces internes – dépôts de minéraux causés par l'eau dure</b> | GE Appliances recommande des agents de rinçage de haute qualité tels que l'agent de rinçage <b>Cascade® Platinum™ Power Dry™ Rinse Aid</b> ou <b>Finish® Jet-Dry® Rinse Aid</b> pour empêcher la formation de dépôts de minéraux causés par l'eau dure.<br>Faites fonctionner le lave-vaisselle en y versant de l'acide citrique pour enlever les dépôts de minéraux. Vous pouvez acheter ce produit au service des pièces de GE Appliances (n° de pièce <b>WD35X151</b> ). Pour obtenir les renseignements pour commander, reportez-vous à la dernière page. Sinon, acheter <b>Cascade® Platinum™ Dishwasher Cleaner</b> ou <b>Finish® Dishwasher Cleaner</b> et suivez les instructions sur l'étiquette. |
| Le lave-vaisselle ne fonctionne pas   | Un fusible est grillé ou le disjoncteur est déclenché   | Remplacez le fusible ou réenclenchez le disjoncteur.<br>Débranchez tous les autres électroménagers du circuit.   |
|   | L'alimentation électrique est coupée  | Dans certaines installations, l'alimentation électrique du lave-vaisselle est commandée par un interrupteur mural, souvent placé à côté de l'interrupteur du broyeur à déchets. Assurez-vous que l'interrupteur est à Marche.  |
|   | Les commandes sont verrouillées   | Déverrouillez les commandes. Voir la section <b>Pour démarrer</b> .  |
|   | Éventuelle fuite est détectée   | Certains modèles sont équipés de la détection des fuites et le cycle seront annulés si une fuite est détectée. L'écran affichera << LEAK DETECTED >> (FUITE DÉTECTÉE).<br>Contactez-nous pour le service.  |
|   | La séquence de démarrage (Start) appropriée n'a pas été suivie                                | Voir la section <b>Utilisation du lave-vaisselle</b> .   |
| Les voyants du tableau de commande s'éteignent lorsque vous réglez les commandes  | Délai trop long entre les choix des touches   | Chaque touche doit être pressée à moins de 30 secondes des autres. Pour rallumer, appuyez sur n'importe quelle touche, ou ouvrez la porte et déverrouillez (commande dans le haut).  |
| Il reste de l'eau propre au fond de la cuve                                       | La coupure anti-refoulement est obstruée.   | Nettoyez la coupure anti-refoulement. Voir la section <b>Entretien et nettoyage</b> .  |
|   | Boucle de drainage secondaires ou la coupure anti-refoulement n'est pas installé              | Reportez-vous aux instructions d'installation pour l'installation du tuyau d'évacuation adéquat.   |
| Il reste de l'eau au fond de la cuve  | Le renvoi est bloqué  | Si vous avez une coupure anti-refoulement, nettoyez-la. Voir la section <b>Entretien et nettoyage</b> .<br>Si l'eau du lave-vaisselle se vide dans un broyeur à déchets, faites fonctionner le broyeur pour le dégager.<br>Vérifiez si l'évier de votre cuisine se vide correctement. S'il ne se vide pas, vous aurez peut-être besoin d'un plombier.  |

## Conseils de dépannage...Avant d'appeler un réparateur

| Problème  | Causes possibles   | Correctifs  |
|---|--|---|
| Vapeur  | Ceci est normal  | De la vapeur s'échappe de l'évent pendant le lavage, le séchage et la vidange de l'eau. Elle est nécessaire pour le séchage.  |
| Le voyant SANITIZED ne s'allume pas à la fin du programme (Wash Temp Sani ou sanitize Temp seulement) | Vous avez ouvert la porte et le programme a été interrompu pendant ou après le cycle de lavage principal   | Il ne faut pas interrompre le programme pendant ou après le cycle de lavage principal.  |
|   | La température de l'eau qui alimente le lave-vaisselle est trop basse  | Augmentez le réglage du chauffe-eau pour que la température de l'eau varie entre 49 °C (120 °F) et 66°C (150 °F).   |
| Bruit   | <b>Bruits de fonctionnement normaux:</b><br>Ouverture du distributeur de détergent<br>Entrée de l'eau dans le lave-vaisselle<br>Arrêt et mise en marche du moteur à différents moments pendant le programme<br>Les bras gicleurs démarrent et s'arrêtent à différents moments.<br>Bruit de la pompe pendant la vidange de l'eau<br>La pompe de vidange démarre et s'arrête à différents moments. | Tous ces bruits sont normaux. Aucun correctif n'est requis.   |
|   | <b>Bruit causé par la vaisselle</b> lorsque le bras gicleur tourne   | Assurez-vous que les articles sont bien placés dans les paniers. Reportez-vous à la section <b>Chargement</b> .   |
|   | <b>Les ustensiles frottent</b> bruyamment contre la porte pendant le lavage.   | Les ustensiles de grande taille peuvent être placés dans le panier supérieur pour éviter qu'ils percutent contre la porte intérieure durant le cycle de lavage.   |
| <b>Une pellicule blanche</b> sur la verrerie, la vaisselle et les surfaces internes du lave-vaisselle | <b>Ce problème est probablement par une qualité détergent lave-vaisselle sans phosphate bas</b>  | Pour éliminer cette pellicule blanche, faites fonctionner votre lave-vaisselle avec de l'acide citrique. Utilisez la trousse d'acide citrique n° <b>WD35X151</b> disponible dans votre magasin le plus proche ou en ligne. Sinon, utilisez des agents de rinçage de haute qualité tels que le nettoyant pour lave-vaisselle <b>Cascade® Platinum™ Dishwasher Cleaner</b> ou <b>Finish® Dishwasher Cleaner</b> trouvé à votre épicerie locale. Versez l'acide citrique dans le compartiment à détergent et fermez le couvercle. Placez dans le lave-vaisselle, la verrerie et la vaisselle propres mais recouvertes de la pellicule blanche. Ne mettez pas l'argenterie et les autres articles métalliques dans le lave-vaisselle. Faites fonctionner le lave-vaisselle sans détergent. La verrerie, la vaisselle et les surfaces intérieures du lave-vaisselle devraient ressortir propres. Un rinçage au vinaigre peut également être utilisé. Versez 1 tasse de vinaigre dans le lave-vaisselle après ouverture du compartiment à détergent et laissez le lave-vaisselle terminer le programme. L'utilisation d'agents de rinçage de haute qualité tels que l'agent de rinçage <b>Cascade® Platinum™ Power Dry™ Rinse Aid</b> ou <b>Finish® Jet-Dry® Rinse Aid</b> peut aider à minimiser la formation de cette pellicule. De plus, l'utilisation de détergents de haute qualité tels que <b>Cascade® Platinum™ ActionPacs™</b> ou <b>Finish® Quantum® Automatic Dishwashing Detergent</b> (détergent à vaisselle automatique) qui peut éviter la formation de cette pellicule. |
| De l'air se fait sentir sur mes jambes lorsque je me tiens devant le lave-vaisselle pendant un cycle  | Cela est normal  | N'interrompez pas le cycle. Aucune action n'est requise   |

# Garantie limitée du lave-vaisselle GE Appliances

**GARANTIE LIMITÉE**

[www.electromenagersge.ca/fr](http://www.electromenagersge.ca/fr)

Toutes les réparations sous garantie limitée seront effectuées par nos centres de réparation ou nos réparateurs autorisés. Pour planifier un service en ligne, rendez-vous sur [Electromenagersge.ca/fr/soutien/demande-de-service](http://Electromenagersge.ca/fr/soutien/demande-de-service) ou appelez le **800.561.3344**. Veuillez fournir le numéro de série et le numéro de modèle lorsque vous appelez pour obtenir le service.

Pour le diagnostic, la réparation de votre appareil peut nécessiter l'utilisation du port de données embarqué. Celui-ci permet au technicien de réparation GE Appliances de diagnostiquer rapidement des problèmes avec votre appareil. Il permet également à GE Appliances d'améliorer ses produits en fournissant à ces derniers des informations sur votre appareil. Si vous ne voulez pas que les données de votre appareil soient envoyées à GE Appliances, veuillez demander à votre technicien de NE PAS soumettre les données à GE Appliances pendant la réparation.

|  |   |
|--|---|
| <b>Pendant la période de :</b>                         | <b>Nous remplacerons :</b>  |
| <b>Un an</b><br>À compter de la date d'achat d'origine | <b>Toute pièce</b> du lave-vaisselle défectueuse en raison d'un vice de matériau ou de fabrication. Au cours de cette <b>garantie limitée d'un an</b> , nous fournirons également, <b>sans frais</b> , les pièces et la main-d'œuvre pour remplacer la pièce défectueuse. |

## Ce qui n'est pas couvert :

- Toute visite à votre domicile pour vous expliquer le fonctionnement de l'appareil.
- L'installation, la livraison ou l'entretien inadéquats de l'appareil.
- Toute défectuosité du produit attribuable à une utilisation abusive ou inadéquate, s'il a été utilisé à toute autre fin que celle pour laquelle il a été conçu, ou s'il a été utilisé à des fins commerciales.
- Le remplacement des fusibles ou le réenclenchement des disjoncteurs de votre domicile.
- Les produits qui ne sont pas défectueux ou brisés, ou qui fonctionnent tel que décrit dans le Manuel de l'utilisateur.
- Tout dommage au produit attribuable à un accident, un incendie, une inondation ou une catastrophe naturelle.
- Tout dommage accessoire ou indirect, causé par des défaillances possibles de l'appareil.
- Les défectuosités ou les dommages causés par une utilisation de l'appareil à des températures situées sous le point de congélation.
- Dommages causés après la livraison, y compris les dommages causés par des objets tombés sur la porte.
- Tout produit auquel il n'est pas possible d'accéder pour effectuer les réparations nécessaires.
- Tout nettoyage ou entretien de l'appareil d'écart anti-retour dans la conduite d'écoulement d'eau.

## EXCLUSION DES GARANTIES IMPLICITES :

Votre seul et unique recours est de faire réparer le produit dans le cadre de cette garantie limitée. Toute garantie implicite, incluant la garantie de qualité marchande ou d'adaptabilité du produit à un usage particulier, est limitée à un an ou à la période la plus courte autorisée par la loi.

Cette garantie limitée est offerte à l'acheteur initial, ainsi qu'à tout propriétaire subséquent d'un produit acheté au Canada en vue d'une utilisation domestique au Canada. Si le produit se situe dans une zone où aucun réparateur agréé par GE Appliances n'est disponible, vous devrez peut-être assumer les frais de déplacement de celui-ci ou apporter le produit à un atelier de réparation agréé par GE Appliances.

Dans certains États ou province, il est interdit d'exclure ou de limiter les dommages indirects ou accessoires. Il est alors possible que les limitations ou exclusions ci-dessus ne s'appliquent pas dans votre cas. La présente garantie limitée vous confère des droits juridiques spécifiques. Vous pouvez bénéficier d'autres droits, qui varient d'un État ou d'une province à l'autre. Pour connaître les droits dont vous bénéficiez, communiquez avec le bureau des Relations avec les consommateurs de votre région ou de votre province.

**Garant : MC Commercial Inc., Burlington, ON, L7R 5B6**

Agrafez le reçu d'achat ici. Pour obtenir le service sous garantie, vous devrez fournir la preuve de l'achat original.

## Soutien au consommateur

---

### Site Web de GE Appliances

Vous avez une question ou vous avez besoin d'aide pour votre appareil électroménager? Visitez le site Web de GE Appliances 24 heures par jour, tous les jours de l'année! Vous pouvez aussi y trouver d'autres formidables produits GE Appliances et tirer avantage de tous nos services d'assistance en ligne. Au Canada : **ElectromenagersGE.ca/fr**

---

### Enregistrez votre électroménager

Enregistrez votre nouvel appareil en ligne au moment qui vous convient le mieux! L'enregistrement de votre produit dans les délais prescrits permet une meilleure communication et un service rapide, selon les modalités de votre garantie, si besoin est. Vous pouvez également envoyer par courrier la carte d'enregistrement pré-imprimée qui se trouve dans l'emballage de votre appareil.

Au Canada : **electromenagersge.ca/soutien-apres-vente**

---

### Service de réparation

Un service de réparation expert GE Appliances se trouve à quelques pas de chez vous. Rendez-vous sur notre site et programmez, à votre convenance, une visite de réparation à n'importe quel jour de l'année.

Au Canada : **electromenagersge.ca/soutien-apres-vente** ou composez le 800.561.3344

---

### Prolongation de garantie

Procurez-vous une prolongation de garantie GE Appliances et informez-vous des rabais spéciaux en vigueur pendant la durée de votre garantie. Vous pouvez vous la procurer en ligne en tout temps. Les services GE Appliances seront toujours disponibles après l'expiration de la garantie.

Au Canada : **electromenagersge.ca/achat-dune-garantie-prolongee** ou composez le 866.277.9842.

---

### Connectivité à distance

Pour de l'assistance concernant la connectivité au réseau sans fil (pour les modèles équipés de cette fonction), visitez notre site Web au **electromenagersge.ca/connected-appliances** ou composez le 800.220.6899.

---

### Pièces et accessoires

Les personnes ayant les compétences requises pour réparer elles-mêmes leurs appareils peuvent recevoir directement à la maison des pièces ou accessoires (les cartes VISA, MasterCard et Discover sont acceptées). Commandez en ligne 24 heures par jour.

Au Canada : **electromenagersge.ca/pièces-filtres-et-accessoires** ou composer le 800.661.1616.

**Les instructions contenues dans le présent manuel comportent des procédures que tout utilisateur peut effectuer. Les autres types de réparation doivent généralement être confiés à un technicien qualifié. Utilisez de prudence : une réparation ou un entretien mal effectués peuvent rendre l'utilisation de l'appareil dangereuse.**

---

### Communiquez avec nous

Si vous n'êtes pas satisfait du service après-vente de GE Appliances, communiquez avec nous depuis notre site Web en fournissant tous les détails dont votre numéro de téléphone, ou écrivez à :

Au Canada : Director, Customer Relations | MC Commercial Inc. | Suite 300, 5420 North Service Road | Burlington, ON L7L 6C7  
**electromenagersge.ca/contactez-nous** ou composer le 877.994.5366



# LAVAVAJILLAS

**INSTRUCCIONES DE SEGURIDAD**.....4

**USO DEL LAVAVAJILLAS**

Puesta en Marcha.....6

Dispensadores.....10

Comunicación del Electrodoméstico.....12

Carga del lavavajillas.....13

**CUIDADO Y LIMPIEZA** .....19

**CONSEJOS PARA LA SOLUCIÓN DE PROBLEMAS**.....21

**GARANTÍA LIMITADA** .....25

**SOPORTE AL CLIENTE**..... 26

## MANUAL DEL PROPIETARIO

GD\*650-670 Series  
 PD\*715 Series  
 Incluye:  
 Serie GE®  
 Serie GE Profile™

Escriba los números de modelo y de serie aquí::

Nº de Modelo \_\_\_\_\_

Nº de Serie \_\_\_\_\_

Los podrá encontrar en la pared de la tina dentro de la puerta.

## **GRACIAS POR HACER QUE GE APPLIANCES SEA PARTE DE SU HOGAR.**

---

Ya sea que haya crecido usando GE Appliances, o que ésta es su primera vez, nos complace tenerlo en la familia.

Sentimos orgullo por el nivel de arte, innovación y diseño de cada uno de los electrodomésticos de GE Appliances, y creemos que usted también. Entre otras cosas, el registro de su electrodoméstico asegura que podamos entregarle información importante del producto y detalles de la garantía cuando los necesite.

Registre su electrodoméstico GE ahora a través de Internet. Sitios Web y números telefónicos útiles están disponibles en la sección de Soporte para el Consumidor de este Manual del Propietario.

También puede enviar una carta en la tarjeta de inscripción preimpresa que se incluye con el material embalado.



**GE APPLIANCES**





# INFORMACIÓN IMPORTANTE DE SEGURIDAD

## LEA TODAS LAS INSTRUCCIONES ANTES DE USAR

**▲ADVERTENCIA** Para su seguridad, siga las instrucciones de este manual a fin de minimizar riesgos de incendio, explosión, descargas eléctricas, y para evitar daños en su propiedad, lesiones personales o la muerte.

### ▲ADVERTENCIA INSTALACIÓN Y MANTENIMIENTO ADECUADOS

Esta lavadora se deberá instalar y ubicar de acuerdo con las Instrucciones de Instalación antes de ser usada. Si no recibió una ficha de Instrucciones de Instalación con su lavavajillas, podrá acceder a una visitando nuestro sitio web en [GEAppliances.com](http://GEAppliances.com).

- Conecte el lavavajillas/ electrodoméstico a un sistema de cableado de metal permanente con conexión a tierra o se debe tender un conducto para la conexión a tierra del equipo con los conductores del circuito y conectado al terminal de tierra del equipo o al conductor de suministro del electrodoméstico.
  - Una conexión inapropiada del conductor de conexión a tierra del equipo puede provocar riesgos de descargas eléctricas. Consulte a un electricista calificado o personal del servicio técnico si tiene dudas de que el electrodoméstico se encuentre conectado a tierra apropiadamente.
  - Las instrucciones detalladas de conexión a tierra se pueden encontrar en la sección "PREPARACIÓN DEL CABLEADO ELÉCTRICO" de las Instrucciones de instalación.
  - Deshágase de forma correcta de electrodomésticos y materiales de envío o embalajes descargados.
  - No intente reparar o reemplazar ninguna parte de la cocina, a menos que se lo recomiende específicamente en este manual. Cualquier otra reparación deberá ser realizada por un técnico calificado.
  - Use sólo el kit de cables WX09X70910 o cables duros para la conexión eléctrica. Si no se siguen estas instrucciones, se pueden producir riesgos de incendio y lesiones personales.
  - A fin de minimizar la posibilidad de descargas eléctricas, desconecte este electrodoméstico del suministro de corriente antes de intentar cualquier mantenimiento.
- NOTA:** Apagar el lavavajillas no desconecta el electrodoméstico del suministro de corriente. Le recomendamos que el servicio técnico de su electrodoméstico sea realizado por un técnico calificado.

### ▲ADVERTENCIA AL USAR SU LAVAVAJILLAS, SIGA LAS PRECAUCIONES BÁSICAS, INCLUYENDO LO SIGUIENTE:

- Use este electrodoméstico sólo para su propósito original, como se describe en el Manual del Propietario.
- Use sólo detergentes o agentes humectantes recomendados para use con un lavavajillas y mantenga los mismos fuera del alcance de los niños. El uso de un detergente que no esté diseñado específicamente para lavavajillas hará que este último se llene de agua con jabón.
- Ubique artículos puntiagudos de modo que no haya posibilidades de daños sobre el sellador de la puertal.
- Cargue los cuchillos puntiagudos con los mangos hacia arriba, a fin de reducir el riesgo de lesiones por cortes.
- No lave productos de plástico, a menos que contengan una marca de seguridad en lavavajillas o su equivalente. Cuando se trate de productos de plástico que no estén marcados de esta manera, consulte las recomendaciones del fabricante.
- No toque el elemento de calefacción durante o inmediatamente después del uso.
- No use su lavavajillas a menos que todos los paneles de cercamiento estén correctamente en sus lugares.
- No manipule indebidamente los controles.
- No abuse, no se siente, no se sostenga ni se pare sobre la puerta o la bandeja del plato del lavavajillas.
- A fin de reducir el riesgo de incendios, no permita que los niños jueguen con, sobre o dentro de este electrodoméstico en cualquier momento.
- No guarde ni use materiales combustibles, incluyendo gasolina u otros líquidos o vapores inflamables cerca de éste o de otros electrodomésticos.
- Las piezas pequeñas, tales como los sujetadores de estantes y los pivotes de retención de filtros, pueden generar riesgos de asfixia en niños pequeños si son retirados del lavavajillas. Mantenga los mismos fuera del alcance de los niños pequeños.

### Forma adecuada de descartar su electrodoméstico

- Descarte o recicle su electrodoméstico de acuerdo con las Regulaciones Federales y Locales. Comuníquese con las autoridades locales para descartar o reciclar su electrodoméstico de forma ambientalmente segura.
- Tenga en cuenta las opciones de reciclaje del material de embalaje de su electrodoméstico.

## LEA Y GUARDE ESTAS INSTRUCCIONES

# INFORMACIÓN IMPORTANTE DE SEGURIDAD

## LEA TODAS LAS INSTRUCCIONES ANTES DE USAR

### ▲ADVERTENCIA SEGURIDAD DEL CALENTADOR DE AGUA

Bajo ciertas condiciones, se podrá producir gas de hidrógeno en un calentador de agua que no fue usado por dos semanas o más. **EL GAS DE HIDRÓGENO ES UN EXPLOSIVO.**

Si el agua caliente no se usó durante dos semanas o más, evite la posibilidad de daño o lesión abriendo todos los grifos de agua caliente y permitiendo que el agua corra durante varios minutos. Haga esto antes de usar cualquier artefacto eléctrico que esté conectado al sistema de agua caliente. Este procedimiento simple permitirá el escape de cualquier gas de hidrógeno acumulado. Debido a que el gas es inflamable, no fume, no use una llama abierta ni use el electrodoméstico durante este proceso.

### ▲ADVERTENCIA RIESGO DE QUE UN NIÑO QUEDE ATRAPADO

#### FORMA ADECUADA DE DESCARTAR EL LAVAVAJILLAS

Los lavavajillas tirados o abandonados son peligrosos...incluso aunque se conserven por "sólo unos pocos días". Si se deshará de su lavavajilla, siga las siguientes instrucciones a fin de evitar accidentes.

- No permita que los niños jueguen con, en, o dentro de éste o cualquier electrodoméstico que haya descartado.
- Retire la puerta del compartimiento de lavado.

### ▲PRECAUCIÓN A FIN DE EVITAR LESIONES MENORES Y DAÑOS SOBRE LA PROPIEDAD

- Durante o después del ciclo de lavado, es posible que los contenidos estén calientes al tacto. Tenga cuidado antes de tomar los mismos.
- Se deberá estar especialmente atento si el electrodoméstico es usado por niños o se encuentra cerca de los mismos. No permita que los niños jueguen alrededor del lavavajillas cerrar la puerta, cerrar la bandeja superior, o mientras verticalmente ajustando la rejilla superior debido a la posibilidad de que sus dedos pequeños sean presionados.
- Productos que no sean utensilios: no lave artículos tales como filtros electrónicos de limpieza con aire, filtros de horno y brochas de pintura en su lavavajillas. Se podrán producir daños, descoloración o manchas sobre el lavavajillas.
- Cargue artículos de plástico livianos, de modo que no sean desplazados ni caigan al fondo del lavavajillas – es posible que entren en contacto con el calentador y sean dañados.

### REQUISITOS ELÉCTRICOS

Asegúrese de que la conexión eléctrica y el tamaño del cable sean los adecuados y que cumplan con el Código Nacional de Electricidad, ANSI/NFPA 70 – última edición, y con todos los códigos y ordenanzas locales.

#### Este electrodoméstico deberá contar con:

- 120V, 60Hz, CA - únicamente, 15 amperes o 20 amperes, suministro eléctrico con fusible.
- El cableado deberá constar de 2 cables con tierra y resistente a 75°F (167°F).

- Si el suministro eléctrico provisto no cumple con los requisitos anteriores, llame a un electricista matriculado antes de proceder.

#### Se recomienda contar con:

- Un disyuntor y un fusible de retardo.
- Un circuito de empalmes individual correctamente conectado a tierra.

### ▲AVISO

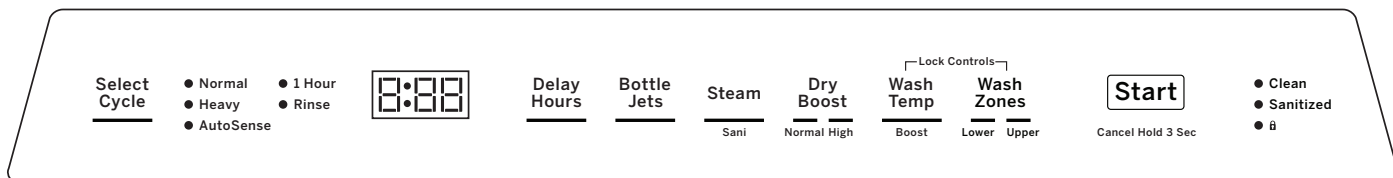
- Si el lavavajillas está conectado a un tomacorriente de pared, asegúrese de que el interruptor esté encendido antes del uso.
- Si decide apagar el interruptor entre ciclos de lavado, espere entre 5 y 10 segundos luego de encender el interruptor antes de presionar **Start** (Iniciar) para permitir que el control se inicie.
- Use sólo polvo, **Cascade® Platinum™ ActionPacs™** o **Finish® Quantum® Automatic Dishwashing Detergent**, detergentes líquidos o agentes de enjuague recomendados para uso con un lavavajillas y mantenga los mismos fuera del alcance de los niños. El Detergente para Lavavajillas Automáticos **Cascade® Platinum™ ActionPacs™** o **Finish® Quantum® Automatic Dishwashing Detergent**, y los agentes de enjuagues **Cascade® Platinum™ Power Dry™ Rinse Aid** o **Finish® Jet-Dry® Rinse Aid** fueron aprobados para su uso en todos los lavavajillas de GE Appliances.

## LEA Y GUARDE ESTAS INSTRUCCIONES

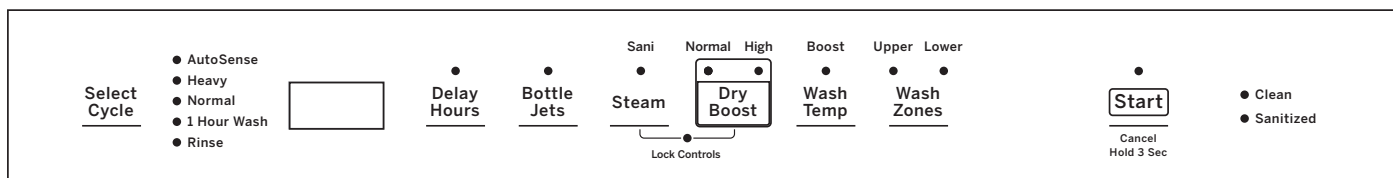
# Puesta en Marcha

Las funciones y la apariencia variarán a través de este manual.

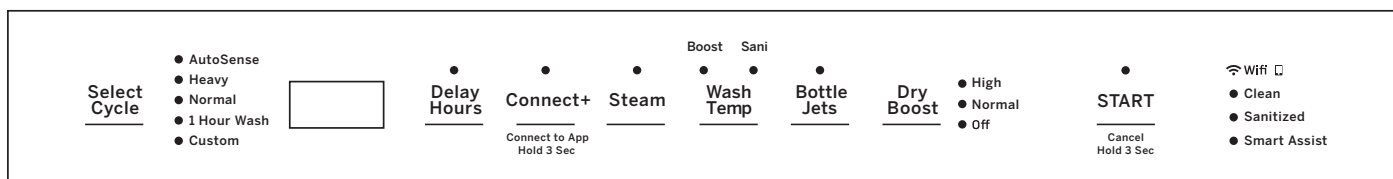
GDF670, GDF650



GDT670, GDP670, GDP665, GDT650, GDP650



PD\*715



## 1 Cargue el Lavavajillas

Para obtener mejores resultados con el lavavajillas, siga las pautas para la carga de los estantes que figuran en la sección **Carga** de los estantes del lavavajillas. No se requiere enjuague previo sobre la suciedad normal de comida. Raspe las suciedades duras, incluyendo huesos, palillos, pieles y semillas. Retire las verduras con muchas hojas, restos de carne, y cantidades excesivas de grasa o aceite.

## 2 Agregue Detergente

Agregue la cantidad necesaria de detergente al dispensador de detergente. Utilice detergentes de alta calidad como **Cascade® Platinum™ ActionPacs™** o **Finish® Quantum® Automatic Dishwashing Detergent**. Lea sobre el **Dispensadores** sección.

## 3 Agregue el Agente de Enjuague

Agregue agentes de enjuague de alta calidad como el agente de enjuague **Cascade® Platinum™ Power Dry™ Rinse Aid** o **Finish® Jet-Dry® Rinse Aid** en el dispensador del agente de enjuague. Lea sobre el **Dispensadores** sección. **NOTA:** El uso del abrillantador puede mejorar aún más el rendimiento del secado del lavavajillas.

# Puesta en Marcha

## 4 Seleccione el Ciclo

Presione la tecla más alejada sobre la izquierda para acceder al ciclo de lavado deseado. En algunos modelos, la luz que se encuentra junto la tecla más alejada sobre la izquierda estará encendida para indicar qué ciclo de lavado ha sido seleccionado. En algunos modelos, presionar la tecla más alejada sobre la izquierda mostrará diferentes ciclos en la pantalla de exhibición. Presione la tecla hasta que el ciclo deseado aparezca.

**NOTA:** Los tiempos del ciclo actual varían de acuerdo con el nivel de suciedad, la temperatura del agua, y las opciones seleccionadas.

El ciclo puede ser seleccionado con la puerta en la posición abierta. El ciclo no comenzará hasta que la tecla Start (Comenzar) sea presionada y la puerta sea cerrada dentro de los 4 segundos.

|   |  |
|---|--|
| <b>AutoSense/Auto</b>                                       | Este ciclo cuenta con un sensor automático del nivel de suciedad y ajusta el ciclo de lavado de forma proporcional. *Rango de tiempo: 1 hora y 50 minutos – 2 horas y 10 minutos.  |
| <b>Heavy (Pesado)</b>                                       | Este ciclo se utiliza con platos, utensilios, cacerolas u ollas muy sucios y con suciedad seca u horneada. Es seguro usar los platos que utiliza a diario con este ciclo. *Rango de tiempo: 2 hora y 31 minutos.   |
| <b>Normal</b>   | Este ciclo es para uso diario, regular o típico a fin de lavar totalmente una carga completa de platos normalmente sucios y fue diseñado para ahorrar tanto agua como corriente. *Rango de tiempo: 1 hora y 15 minutos – 1 hora y 50 minutos. <b>NOTA:</b> La función <b>Normal</b> se usó para medir el nivel de eficiencia de la corriente de este lavavajillas.   |
| <b>Light/ China (Suave/ Porcelana)</b><br>(algunos modelos) | Este ciclo se utiliza con platos con un nivel de suciedad entre leve y medio. Es seguro para porcelana y cristal sin opciones seleccionadas. *Tiempo: 55 minutos.  |
| <b>Rinse (Enjuague)</b><br>(algunos modelos)                | Para enjuagar cargas parciales que se lavarán después. No use detergente. El detergente no es dispensado durante el ciclo de enjuague. *Tiempo: 16 minutos.  |
| <b>1-Hour Wash (Lavado en 1 Hora)</b>                       | Este ciclo lavará rápidamente platos con poco nivel de suciedad. *Tiempo: 60 minutos. Para un mejor secado, seleccione <b>Dry Boost</b> (Aumento del Secado). Esto elevará la temperatura de enjuague final y extenderá el tiempo de secado. <b>Dry Boost</b> (Aumento del Secado) agregará entre 49 y 90 minutos al tiempo del ciclo. Cuando la luz de <b>Clean</b> (Limpieza) se encienda, abra la puerta, retire los estantes, y los platos se secarán en “sólo” cinco minutos. |
| <b>Custom (Personalizado)</b><br>(algunos modelos)          | Amplíe el uso de su lavavajillas conectándola a WiFi con la aplicación SmartHQ para asignar un ciclo a este botón, desde una lista de ciclos ampliada. Si no está conectado a WiFi, el ciclo predeterminado es <b>Rinse</b> (Enjuague).  |

\*Sólo tiempo de lavado. No incluye el tiempo de secado, Auto Hot Start (Inicio con Calor Automático), u opciones.

**NOTA:** Si la temperatura del agua entrante es demasiado baja, la función Auto Hot Start (Inicio con Calor Automático) podrá agregar hasta 11 minutos de tiempo adicional.

\*\*Microban® es una marca registrada de Microban International, Ltd.

## Puesta en Marcha

### 5 Seleccione Opciones

La luz junto al botón seleccionado estará iluminada para indicar que la función opción ha sido seleccionada.

|   |  |
|---|--|
| <b>Wash Temp off (Normal)</b><br>(Temp de lavado apagada (Normal))  | Esta opción (en algunos modelos) es para platos con suciedad normal, y optimiza el rendimiento del lavado mientras se ahorra energía.  |
| <b>Wash Temp/Boost (Temp de lavado/Refuerzo)</b>  | Esta opción incrementa la temperatura para ayudar a lavar los platos con alto nivel de suciedad y incrementará el ciclo de tiempo entre 20 y 50 minutos. Esta opción puede estar en <b>On</b> (Encendido) o <b>Off</b> (Apagado) durante el ciclo de lavado. Esta opción también mejorará el rendimiento del secado en el ciclo <b>Normal</b> .  |
| <b>Wash Temp/Sani, Steam/Sani</b><br>(Temp de lavado/Desinfección, Vapor/Desinfección)<br>(algunos modelos) | Esta opción incrementa la temperatura del agua en el enjuague final a fin de desinfectar su juego de platos pero puede incrementar el ciclo de tiempo en 60 minutos. La duración del ciclo variará dependiendo de la temperatura del agua entrante.<br><b>NOTA:</b> Esta opción es monitoreada con relación a los requisitos de desinfección. Si el ciclo es interrumpido durante o después de la parte del lavado principal o si la temperatura del agua entrante es tan baja que no se puede lograr un nivel de calor adecuado del agua, es posible que no se cumpla con las condiciones de desinfección. En estos casos, la luz de Sanitized (Desinfectado) no se iluminará al final del ciclo. Utilizar esta opción modificará el ciclo para cubrir los requisitos de la Sección 6, de la Norma NSF 184 para la eliminación de suciedad y eficiencia de la desinfección.<br><b>NOTA:</b> Los lavavajillas residenciales certificados no podrán ser usados en establecimientos de comidas con licencia. |
| <b>Steam (Vapor)</b>  | Esta opción añade un prelavado adicional que genera vapor para ayudar a limpiar a profundidad los platos sucios y secos. Aumentará el tiempo del ciclo en 10 minutos como mínimo, dependiendo de las otras opciones seleccionadas.   |
| <b>Dry Boost Off (Aumento Potenciado del Secado - Apagado)</b>  | Apaga la opción de secado. Los platos se secan con el aire en forma natural y se ahorra energía. Abra la puerta del lavavajillas para acelerar el secado.  |
| <b>Dry Boost Normal (Aumento Potenciado del Secado - Normal)</b>  | Enciende la opción para un secado más rápido. Esta opción podrá agregar hasta 64 minutos al tiempo del ciclo. En modelos con la función de calentamiento oculta, esta opción incrementa la temperatura del lavavajillas durante la parte del enjuague final del ciclo, y luego utiliza un ventilador para hacer circular aire a fin de secar los platos. Este ventilador de alto nivel de eficiencia podrá funcionar por otros 90 minutos luego de haber completado el ciclo, a fin de maximizar el rendimiento del secado. El funcionamiento del ventilador finalizará si la puerta es abierta durante este período de 90 minutos. Esta opción no está disponible con el ciclo <b>Rinse</b> (Enjuague).   |
| <b>Dry Boost High (Aumento Potenciado del Secado)</b> (algunos modelos)                                     | Esta opción podrá ser seleccionada presionando <b>Dry Boost</b> (Aumento del Secado) dos veces para que se ilumine la luz <b>High</b> (Alta). Esta opción le añadirá más tiempo a su opción de secado, mejorando aún más el rendimiento del lavavajillas para los ítems difíciles de secar.  |
| <b>Wash Zones (Áreas de Lavado)</b> (algunos modelos)   | Seleccionar las Áreas de Lavado Superior o Inferior apuntará al lavado de un solo estante. Esto acortará el tiempo del ciclo y ahorrará energía. Esta opción debería ser usada cuando los platos sean colocados en un solo estante.  |
| <b>Bottle Jets (Jets de Botellas)</b><br>(algunos modelos)  | Esta opción incrementa el tiempo en que los chorros de la botella están activados y puede añadir un máximo de 23 minutos para el tiempo de ciclo. Use esta opción para lavar de forma segura en el lavavajillas objetos difíciles como biberones, botellas para deportistas, tazas de café altas, etc. Consulte las recomendaciones de uso en la sección de <b>Carga del Lavavajillas</b> .  |
| <b>Delay Hours (Horas de Retraso)</b>   | Retrasa el comienzo de un ciclo de lavado hasta entre 8 y 12 horas, dependiendo del modelo. Presione <b>Delay Hours</b> (Horas de Retraso), para seleccionar la cantidad de horas, y luego presione <b>Start</b> (Iniciar) una vez y cierre la puerta para comenzar la cuenta regresiva. El ciclo comenzará una vez que el tiempo asignado haya finalizado.  |



# Puesta en Marcha

## 5 Seleccione Opciones (cont.)

La luz junto al botón seleccionado estará iluminada para indicar que la función opción ha sido seleccionada.

### Lock Controls

Puede bloquear los controles para evitar que se haga cualquier selección. También puede bloquear los controles luego de haber comenzado un ciclo, a fin de evitar cambios en el ciclo. Por ejemplo: los niños no podrán iniciar de forma accidental el lavavajillas presionando los botones cuando esta opción haya sido seleccionada.

**Para la serie GE, para BLOQUEAR/ DESBLOQUEAR** el control del lavavajillas, dependiendo del modelo, mantenga presionada la tecla **Wash Temp** (Temp de lavado) y **Wash Zones** (Zonas de lavado), o las **Steam** (Vapor) y **Dry Boost** (Dry Boost) al mismo tiempo, durante 3 segundos. La luz de **Lock Controls** (Controles de Bloqueo) se encenderán para indicar que el control se encuentra bloqueado y se apagarán para indicar que el control está desbloqueado.

**Para la serie Profile**, la única forma de bloquear el lavavajillas es a través de la aplicación SmartHQ. Para desbloquear el lavavajillas, utilice la aplicación SmartHQ o mantenga pulsada la tecla **Start** (Iniciar) durante 3 segundos.

### Connect+

(algunos modelos)

Mantenga pulsada esta tecla durante 3 segundos para conectar el lavavajillas a la aplicación. Para conectarse, siga las instrucciones proporcionadas a través de su aplicación SmartHQ. Una vez conectado, al pulsar el botón **Connect+** podrá recuperar sus ciclos y opciones favoritas.

## 6 Inicio del Lavavajillas

### Start (Iniciar)

Presione la tecla **Start** (Iniciar) y cierre la puerta dentro de los 4 segundos para iniciar el ciclo o iniciar la cuenta regresiva de **Delay Hours** (Horas de Retraso). El ciclo de lavado comenzará en breve luego de cerrar la puerta. La pantalla se apagará si la puerta permanece abierta durante más de dos minutos. Para activar la pantalla, cierre y abra la puerta o presione cualquier tecla.

### Interrupt or Pause or Pause (Interrupción o Pausa)

Para interrumpir o pausar un ciclo de lavado, abra la puerta lentamente. Abrir la puerta hará que el ciclo de lavado quede pausado. El lavavajillas emitirá pitidos cada un minuto para recordarle que debe cerrar la puerta. Para reiniciar o reactivar el ciclo, presione **Start** (Iniciar), y cierre la puerta dentro 4 segundos.

### Cancel (Cancelar)

Para cancelar un ciclo de lavado, mantenga presionado el botón **Start** (Iniciar) por 3 segundos y cierre la puerta. El lavavajillas se drenará, emitirá un pitido, y la luz del ciclo de lavado quedará en OFF (Apagado).

## 7 Luces y Sonidos del Ciclo Indicador

### Sanitized

(Desinfectado)

Se muestra al final del ciclo cuando la función **Wash Temp Sani** o **Sanitize Temp** (Temperatura de Lavado para Desinfectar) haya sido seleccionada y el lavavajillas haya cumplido con los requisitos de desinfección. Para una descripción completa de esta opción, lea **Wash Temp Sani** o **Sanitize Temp** Cerrar la puerta o presionar cualquier botón apagará la luz.

### Clean (Limpieza)

Se muestra cuando un ciclo de lavado fue completado. La luz permanece en ON (Encendido) como recordatorio de que los platos están limpios. La luz se apagará cuando la puerta sea abierta.

### Cycle Status (Estado del Ciclo) (algunos modelos)

La luz indicadora sobre el frente de la puerta cambiará de color para indicar el estado del lavado. Durante el ciclo de lavado, la luz indicadora será de color ámbar o azul. Cuando el ciclo de lavado esté completo, la luz cambiará a blanca.

### Sounds (Sonidos)

El lavavajillas emitirá un sonido para indicar las finalizaciones de ciclos, presiones de botones y la puerta entreabierta.

### Mudo

Para Encender/Apagar los sonidos del control del lavavajillas, presione la tecla **Dry Boost** (Aumento del Secado) 5 veces dentro de los 5 segundos.

### Sabático/ Modo de Puerta Activada (algunos modelos)

Para encender/ apagar esta opción, mantenga presionadas las teclas **Cycle Select** y **Wash Temp Boost** (Temperatura de Lavado para Aumentar) durante 5 segundos, cierre la puerta y espere 3 minutos hasta que el lavavajillas quede en el modo de descanso. En el modo **OFF** (Apagado), la pantalla de control, los sonidos de control y las luces internas (en algunos modelos) no responderán a la apertura o cierre de la puerta. Este modo puede ser usado al celebrar ciertos feriados religiosos tales como el Sabbath. Para activar el control y las luces interiores (en algunos modelos), presione cualquier tecla.

### Smart Assist (Asistencia inteligente) (algunos modelos)

Si conecta su lavavajillas a SmartHQ, obtendrá más información y funciones mejoradas de la función Smart Assist para mantener un rendimiento óptimo de lavado y secado. Smart Assist (Asistencia inteligente) está diseñada para supervisar el funcionamiento de su lavavajillas y le ayudará a garantizar un rendimiento óptimo.

Consulte la sección Comunicación del lavavajillas para obtener instrucciones sobre cómo conectarse.

# Dispensadores

## Controle la Temperatura del Agua

El agua entrante deberá ser de por lo menos 120°F (49°C) y no más de 150°F (66°C) para una limpieza efectiva y para evitar daños sobre los platos. Controle la temperatura del agua con un termómetro para caramelos o para carne.

Abra el grifo de agua caliente más cercano al lavavajillas, coloque el termómetro en un vaso y deje que el agua corra de forma continua en el vaso hasta que la temperatura deje de subir.

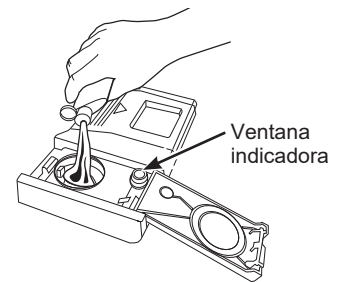
## Use un Agente de Enjuague

Los agentes de enjuague de alta calidad como **Cascade® Platinum™ Power Dry™ Rinse Aid** o **Finish® Jet-Dry® Rinse Aid** están diseñados para una gran acción de secado y para brindar protección contra manchas y acumulación de películas en sus platos, vasos, cubiertos, utensilios y plástico.

## Llenado del Dispensador

El dispensador del agente de enjuague tiene una capacidad de 3.5 oz. (104 ml) de agente de enjuague. Bajo condiciones normales, esto durará aproximadamente un mes - dependiendo de la ubicación.

- 1 Asegúrese de que la puerta del lavavajillas esté completamente abierta.
- 2 Abra la puerta del dispensador del agente de enjuague.
- 3 Lentamente agregue el agente de enjuague hasta que la taza esté llena. Es posible que se deba pausar varias veces para permitir que la ayuda para el enjuague se asiente. **NOTA:** La ventana indicadora no se enciende.
- 4 Limpie cualquier derrame producido por el agente de enjuague con una tela seca, a fin de evitar que haya espuma dentro del lavavajillas.
- 5 Cierre la puerta del dispensador de agente de enjuague.

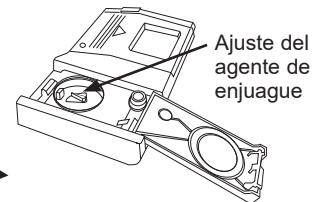
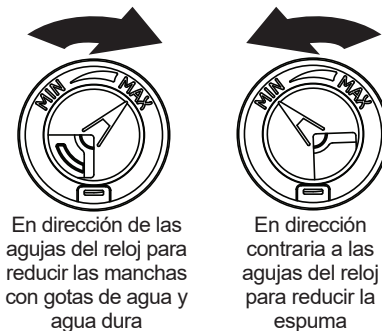


## Configuración de la Ayuda para el Enjuague

La cantidad del agente de enjuague liberado en el lavado final se puede ajustar. Si las manchas con gotas de agua o agua dura permanecen en los platos luego del ciclo de lavado, incremente la configuración.

### Para ajustar la configuración

Abra la puerta del dispensador del Agente de Enjuague; luego gire el ajuste en dirección de las agujas del reloj para incrementar la cantidad de agente de enjuague, y en dirección contraria a las agujas del reloj para reducir la cantidad de agente de enjuague.

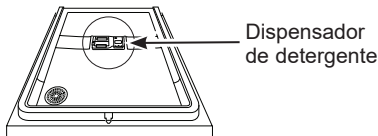


# Dispensadores

## Dispensador de Detergente

El dispensador de detergente está ubicado en el centro de la puerta del lavavajillas. Cuenta con dos compartimientos. El compartimiento de lavado principal se encuentra dentro del dispensador de detergente. Para abrirlo, presione el botón al costado del dispensador. El compartimiento de prelavado se encuentra en la tapa del dispensador de detergente. Use el compartimiento de prelavado sólo cuando el agua sea extremadamente dura o cuando la carga contenga un nivel de suciedad pesada. El compartimiento de prelavado no será utilizado cuando se usen detergentes en tableta o paquete.

**NOTA:** No bloquee el dispensador de detergente con platos grandes o altos.



Puede usar detergente para lavavajillas automáticos en pastilla, polvo, líquido o gel. Asegúrese de usar sólo detergentes específicamente etiquetados para uso con lavavajillas automáticos. Nunca use detergente líquido de mano para platos en un lavavajillas automático. Como resultado del uso de detergentes inapropiados se producirá agua jabonosa o un lavado deficiente.

Los detergentes deberían ser guardados en una ubicación seca y en sus envases originales para evitar la pérdida de efectividad. Coloque detergente en una taza antes de encender el lavavajillas y luego cierre la tapa. La tapa se abrirá durante el ciclo de lavado.

## Llenado del Dispensador de Detergente

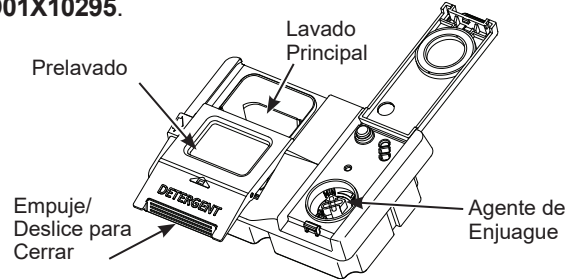
Recomendamos usar detergente de alta calidad en forma de tableta o paquete. Pruebas independientes demostraron que esta forma de detergente es muy efectiva en el lavavajillas. **Cascade® Platinum™ ActionPacs™** o **Finish® Quantum® Powerball®** es un ejemplo de este tipo de detergente. Sin embargo, algunos detergentes de dosis única no están diseñados para ciclos más cortos. Si experimenta problemas de lavado con estas tabletas o paquetes, siga las instrucciones a continuación:

**Ciclos de enjuague** - NO use detergentes. (Estos ciclos están diseñados para enjuagar platos solamente, no para eliminar la suciedad).

**Ciclos de lavado de menos de 60 minutos (sin incluir opciones adicionales de secado o lavado)** - coloque una tableta o paquete en el compartimiento de prelavado de la taza de detergente, o en el fondo del lavavajillas. (Estos ciclos están diseñados para ser más cortos, lo que podría resultar en un mal lavado del detergente si el detergente se coloca en el compartimiento de lavado principal de la taza de detergente. Como resultado, el rendimiento del lavado disminuirá).

**Ciclos de lavado de 60 minutos o más (sin incluir opciones adicionales de secado o lavado)** - coloque una tableta o paquete en el compartimiento de lavado principal de la taza de detergente y cierre la tapa de la taza de detergente. (Estos ciclos están diseñados para suelos más duros y probablemente tendrán más rellenos / drenajes que los ciclos más cortos. Si la pastilla o paquete son colocados en el compartimiento de prelavado o arrojados al fondo del lavavajillas, el detergente será descartado por el drenaje en un período muy corto de tiempo y será de este modo desperdiciado. Como resultado de esto, el rendimiento del lavado será muy deficiente.)

Si decide usar detergente en polvo, líquido o en gel, la cantidad de detergente que use será determinada por la dureza del agua, la temperatura del agua, y la carga de suciedad de comida dentro del lavavajillas. Para acceder a información sobre la dureza del agua en su área, comuníquese con su compañía proveedora de agua. La dureza del agua se mide en granos por galón. Use esta información y la tabla que aparece más arriba para determinar la cantidad de detergente que se debe usar. Usted puede adquirir una tira de prueba de agua dura de GE Appliances. Llame al 1-877-959-8688 y solicite el número de pieza **WD01X10295**.

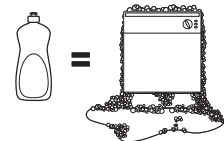


Use la tabla como punto inicial y luego ajuste la cantidad de detergente que usará. Use sólo la cantidad suficiente para un buen rendimiento del lavado. Usar sólo la cantidad correcta de detergente proveerá un gran rendimiento del lavado sin desperdiciar detergente ni enturbiar su cristalería.

| Cantidad de Granos/Gal. | Galon(es) a Llenar  |
|-------------------------|---|
| Menos de 4              | Llene la taza hasta 1/3   |
| 4 a 8                   | Llene la taza hasta 2/3   |
| 8 a 12                  | Llene la taza completamente                                       |
| Superior a 12           | Llene tanto la taza principal de lavado como la taza de prelavado |

El uso de demasiado detergente con agua muy suave y/o muy caliente podrá ocasionar una condición llamada grabado sobre su cristalería. El grabado es un enturbiamiento permanente sobre su cristalería. Esta condición es irreversible. Sin embargo, el uso de muy poco detergente ocasionará un rendimiento deficiente del lavado.

**NO USE DETERGENTE PARA LAVADO MANUAL**



**NOTA:** El uso de un detergente que no esté diseñado específicamente para lavavajillas hará que este último se llene de agua con jabón. Durante el funcionamiento, esta agua con jabón se esparcirá por las ventilaciones del lavavajillas, cubriendo el piso de la cocina y mojando el mismo.

Debido a que muchos envases de detergente son parecidos, guarde el detergente para lavavajillas en un espacio aparte de los demás limpiadores. Muestre a cualquier persona que pueda usar el lavavajillas el detergente correcto y dónde se guarda.

Mientras que no habrá daños duraderos sobre el lavavajillas, sus platos no se limpiarán si usa un detergente para platos cuya fórmula no haya sido diseñada para funcionar en lavavajillas automáticos.

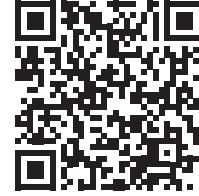
# Acerca de la Comunicación del Electrodoméstico

## Conexión WiFi (algunos modelos) (Para clientes en Estados Unidos)

Su lavavajillas es apto para con **GE Appliances WiFi Connect** (GE Appliances Conexión WiFi). Una tarjeta de comunicación incorporada en el producto permite la comunicación del mismo con su teléfono inteligente para un monitoreo remoto, control y recepción de notificaciones.

- 1) Utilice el código QR para descargar y acceder a la aplicación SmartHQ o visite **www.GEAppliances.com/connect**.
- 2) Siga las instrucciones de la aplicación para conectar el lavavajillas.

Conectividad WiFi: Para recibir asistencia en relación al electrodoméstico o la conectividad de red de **U+Connect**, comuníquese GE Appliances al **800.220.6899**.



*Este dispositivo cumple con la Parte 15 de la Normativa de la FCC. Su funcionamiento está sujeto a las dos condiciones siguientes:*

1. *Este dispositivo no causa interferencias perjudiciales, y*
2. *Este dispositivo debe aceptar cualquier interferencia recibida, incluidas las interferencias que puedan provocar un funcionamiento no deseado. Este equipo fue probado y cumple con los límites establecidos para un dispositivo digital de clase B, según la parte 15 de la Normativa de la FCC. Estos límites fueron diseñados para brindar una protección razonable contra interferencias nocivas en una instalación residencial. Este equipo genera, usa y puede emitir energía de radiofrecuencia y, si no se instala y utiliza de acuerdo con las instrucciones, puede ocasionar interferencias perjudiciales sobre las comunicaciones radiales. Sin embargo, no se garantiza que no se presenten interferencias en una instalación en particular. Si el equipo provoca interferencias perjudiciales para la recepción de radio o televisión, lo cual puede comprobar encendiendo y apagando el equipo, se aconseja al usuario que intente corregir la interferencia a través de una de las siguientes medidas:*
  - *Reoriente o reubique la antena receptora.*
  - *Aumente la separación entre el equipo y el receptor.*
  - *Conecte el equipo a un tomacorriente de un circuito diferente al tomacorriente al cual se encuentra conectado el receptor.*
  - *Para solicitar ayuda, consulte al proveedor minorista o a un técnico experimentado de radio/TV.*

**Etiqueta:** *Las modificaciones sobre esta unidad no aprobadas expresamente por parte del fabricante podrían anular la autoridad del usuario para utilizar el equipo.*



# Carga del lavavajillas

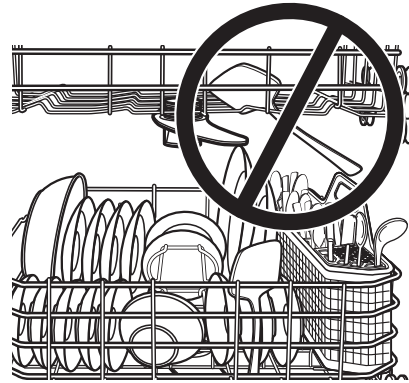
Para obtener mejores resultados con el lavavajillas, siga estas pautas de carga. Las funciones y apariencia de los estantes y canastas de cubiertos pueden variar con relación a su modelo.

## Estante Superior

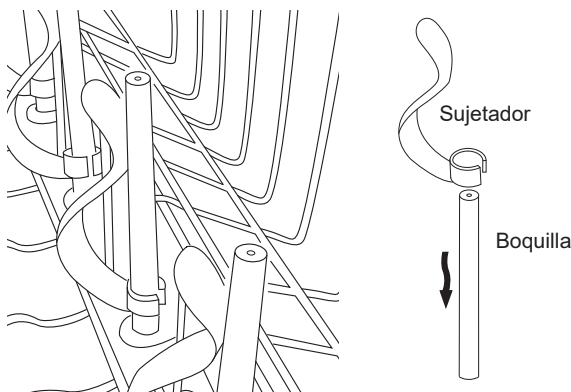
El estante superior es principalmente para vasos, tazas y platitos. Para obtener el mejor rendimiento de lavado, incline la taza y aberturas de vidrio hacia el centro de la parrilla. Otros ítems tales como ollas, cacerolas y platos pueden ser ubicados en el estante superior. Éste es también un lugar seguro para colocar ítems de plástico de uso seguro en lavavajillas. El estante superior se puede usar con utensilios de tamaños atípicos. Las cacerolas, recipientes de mezcla y otros ítems con forma similar deberían ser colocados boca abajo para un mejor rendimiento del lavado. Asegúrese de que los ítems pequeños de plástico estén seguros, de modo que no puedan caer en el calefactor en el fondo del lavavajillas, dañando posiblemente el ítem. Algunos modelos están equipados con un calentador escondido, de modo que los ítems de plástico de uso seguro en el lavavajillas puedan ser colocados en el estante inferior.

**IMPORTANTE:** Asegúrese de que los ítems en el estante superior no interfieran con el tercer estante (en algunos modelos), al hacer cargas y descargas.

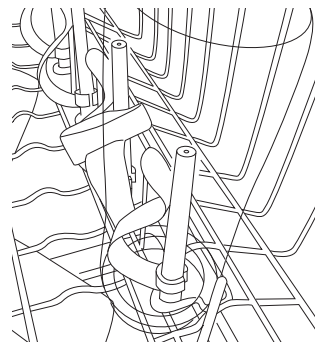
**IMPORTANTE:** Asegúrese de que los productos no sobresalgan más allá del fondo del estante o la canasta de plata donde bloquearán la rotación del brazo intermedio de rociado. Esto podría ocasionar ruidos durante el funcionamiento y/o un lavado deficiente.



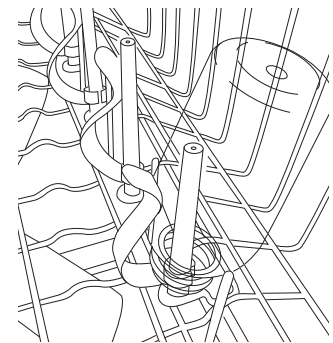
El sistema **Bottle Jets** (Jets de Botellas) (en algunos modelos) es la ubicación ideal para posicionar los biberones, mamaderas, botellas deportivas altas, u otros productos con aberturas estrechas. Los sujetadores para **Bottle Jets** (Jets de Botellas) sostienen las botellas con pequeñas aberturas propias, de modo que los chorros de agua estén dirigidos hacia adentro de las botellas a fin de limpiar áreas difíciles de alcanzar. Los sujetadores pueden ser instalados o retirados, simplemente deslizando la abertura de los sujetadores sobre la parte superior de la boquilla.



Jets de Botellas



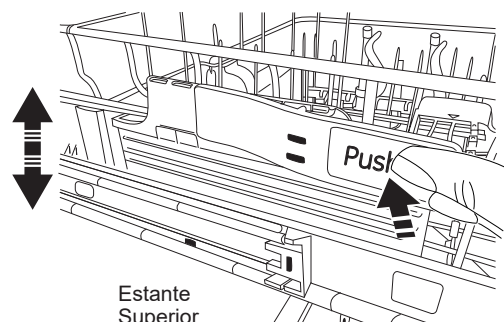
Botella de deportistas mantiene en su lugar sobre un sujetador Bottle Jets (Jets de Botellas)



Biberón mantiene en su lugar debajo de un sujetador Bottle Jets (Jets de Botellas)

**⚠ PRECAUCIÓN** Un estante superior cargado puede ser más pesado de lo previsto. Para evitar lesiones leves o daños en el contenido, no levante ni baje el estante superior luego de que el mismo esté cargado con platos.

El estante superior permite un ajuste de 2" hacia arriba o abajo, a fin de ubicar ítems grandes. El estante superior se podrá bajar empujando las solapas alagadas sobre cada lado del estante. Esto le permitirá bajar el estante (consulte la figura del Estante Superior). Para elevar el estante, levante el mismo hasta que quede bloqueado en su posición.

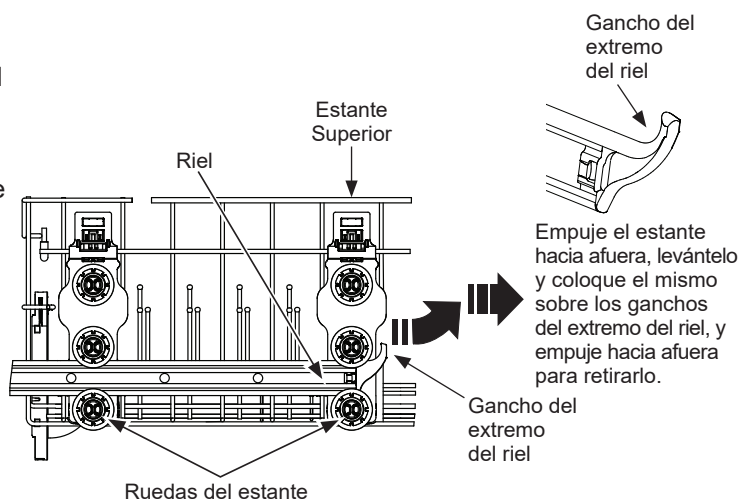


Estante Superior

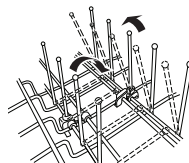


## Carga del lavavajillas

En algunos modelos, el estante superior se podrá ajustar para ubicar artículos más grandes. Para ajustar el estante superior, extienda el mismo totalmente y levante el frente, de modo que las ruedecillas del estante despejen los ganchos del extremo en la parte frontal de los rieles. Continúe empujando el estante hasta que sus ruedecillas despejen el gancho del extremo. Seleccione el conjunto de ruedas al costado del estante, las cuales brindan la altura deseada, y vuelva a instalar el estante superior alineando las ruedecillas del estante en el gancho del extremo y en los rieles del estante. Asegúrese de que haya ruedecillas sobre y debajo de los rieles del estante. Si las ruedas no son correctamente alineadas con el gancho del extremo y los rieles, el estante se podrá caer del lavavajillas como resultado.



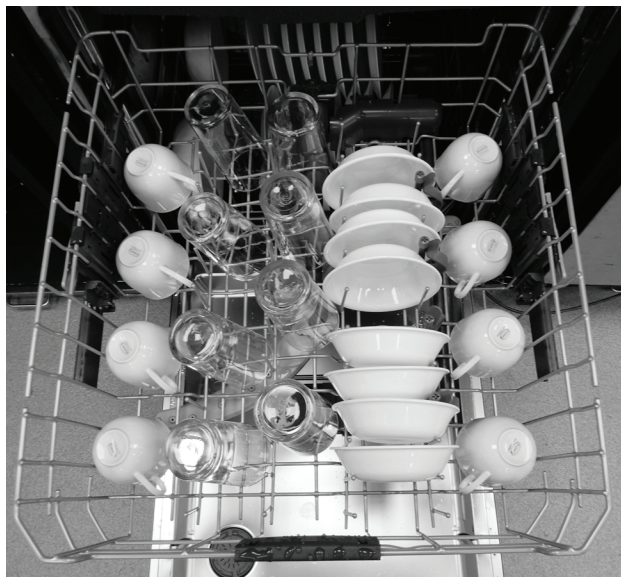
Los brazos plegables (en algunos modelos) brindan flexibilidad para ítems extra grandes o difíciles de sostener. Las filas de brazos pueden ser ajustadas en una posición vertical o recostadas.



Para obtener mejores resultados con el lavavajillas, siga estas pautas de carga. Las funciones y apariencia de los estantes y canastas de cubiertos pueden variar con relación a su modelo.

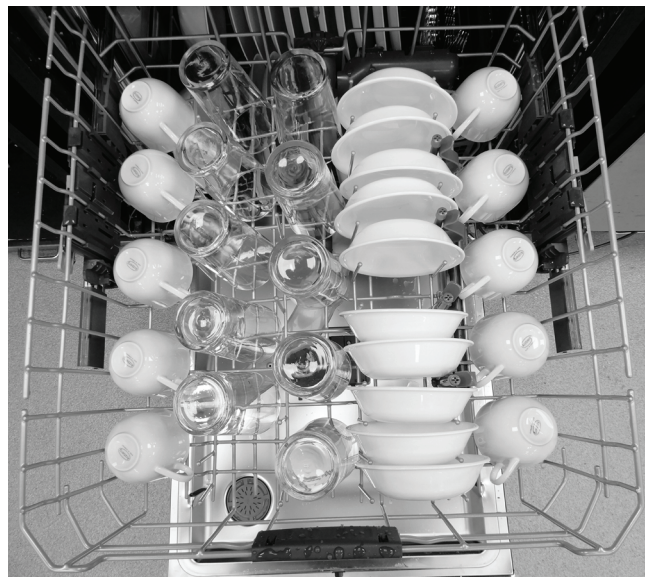
### Configuraciones de 8 lugares - Estante Superior

Modelos - GD\*650, GD\*665, GD\*670, PD\*715



### Configuraciones de 10 lugares - Estante Superior

Modelos - GD\*650, GD\*665, GD\*670, PD\*715



# Carga del lavavajillas

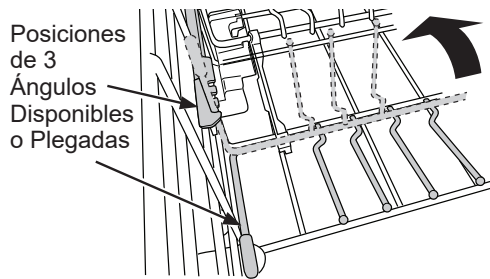
Para obtener mejores resultados con el lavavajillas, siga estas pautas de carga. Las funciones y apariencia de los estantes y canastas de cubiertos pueden variar con relación a su modelo.

## Estante Inferior

El estante inferior es más conveniente para platos, platitos y utensilios. Los productos grandes, tales como bandejas para asar y estantes para hornear deberán estar a los costados del estante. De ser necesario, los vasos y tazones de tamaños muy grandes podrán ser ubicados en el estante inferior, a fin de maximizar la flexibilidad de la carga. Los platos, platitos y productos similares deberían ser colocados entre los brazos en la dirección que permita que el producto permanezca seguro en el estante.

**NOTA:** No cargue ítems grandes en el estante inferior, de modo que no se bloquee la salida de los chorros de agua hacia el dispensador de detergente.

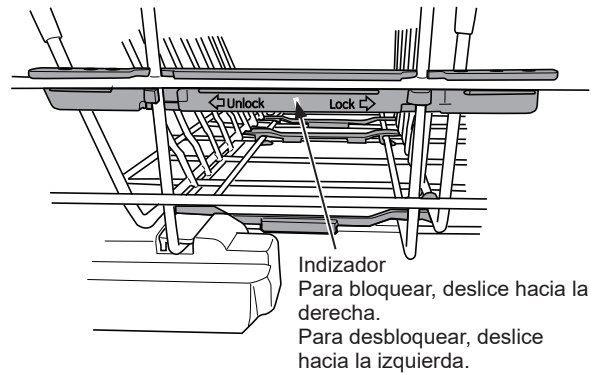
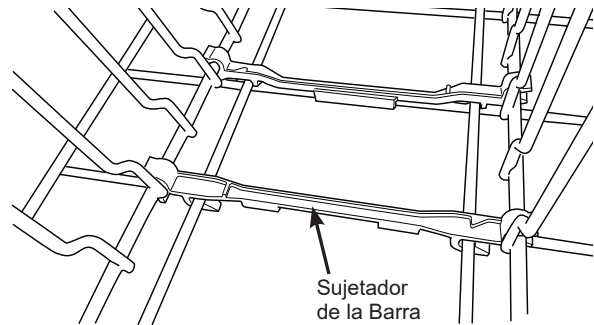
**Los brazos plegables** del estante inferior (en algunos modelos) pueden ser ajustados a diferentes ángulos erguidos o ser colocados de forma plana para brindar flexibilidad sobre ítems difíciles de ubicar o extra grandes.



**⚠ ADVERTENCIA** Los sujetadores pueden presentar riesgos de asfixia para niños pequeños si son retirados del lavavajillas. Mantenga los mismos fuera del alcance de los niños.

Para cambiar la dirección de los **brazos plegables**, baje los brazos, y luego aleje los mismos de los sujetadores de la barra que aseguran los brazos al estante y retírelos. Invierta la dirección de los brazos, orientando la manija hacia el lado opuesto del estante. Reajuste los brazos a los sujetadores de la barra, empujando los brazos nuevamente hasta que queden colocados. El indizador también se deberá cambiar al lado opuesto del lavavajillas. Para retirar el indizador, simplemente deslice el mismo en la dirección con la etiqueta “desbloquear”. Luego, alinee el indizador con el estante en el lado opuesto y deslice el mismo en la dirección que dice “bloquear”, a fin de reajustarlo al estante.

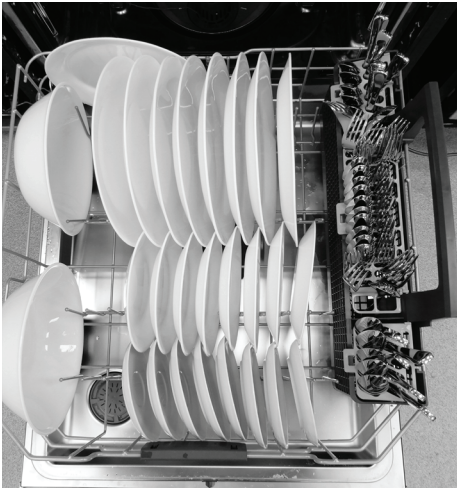
**IMPORTANTE:** Es importante asegurar que los productos no sobresalgan más allá del fondo del estante o la canasta de plata (en algunos modelos) donde bloquearán la rotación del brazo inferior de rociado. Además, asegúrese de que los platos grandes, ollas o ítems altos no golpeen el brazo intermedio de rociado. Esto podría ocasionar ruidos



## **Carga del lavavajillas**

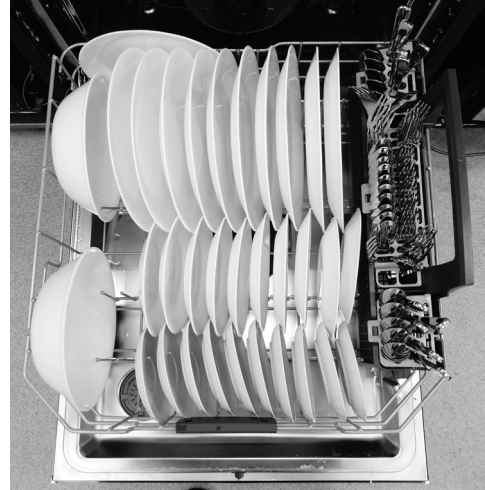
**Configuraciones de 8 lugares - Estante inférieur**

Modelos - GD\*650, GD\*665, GD\*670, PD\*715



**Configuraciones de 10 lugares - Estante inférieur**

Modelos - GD\*650, GD\*665, GD\*670, PD\*715





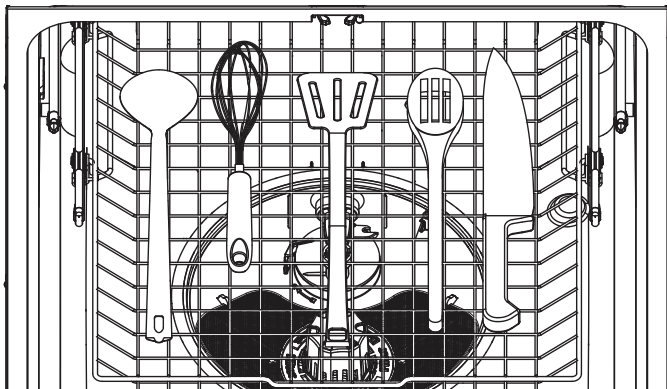
## Carga del lavavajillas

Para obtener mejores resultados con el lavavajillas, siga estas pautas de carga. Las funciones y apariencia de los estantes y canastas de cubiertos pueden variar con relación a su modelo.

### Tercer Estante (en algunos modelos)

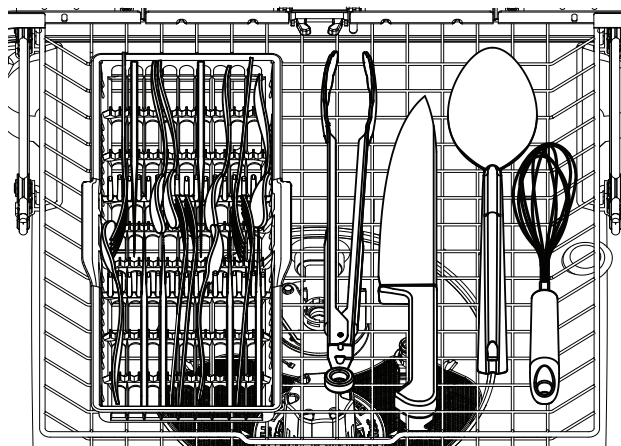
El 3er estante es la ubicación recomendada para los utensilios de plata y los utensilios grandes.

**⚠ PRECAUCIÓN** Tenga cuidado al cargar, descargar o transportar las bandeja de la vajilla de plata o de los utensilios. Es posible que las bandeja contengan ítems filosos o pesados. Si se caen ítems de las bandeja o si se caen bandeja, se podrán producir lesiones.



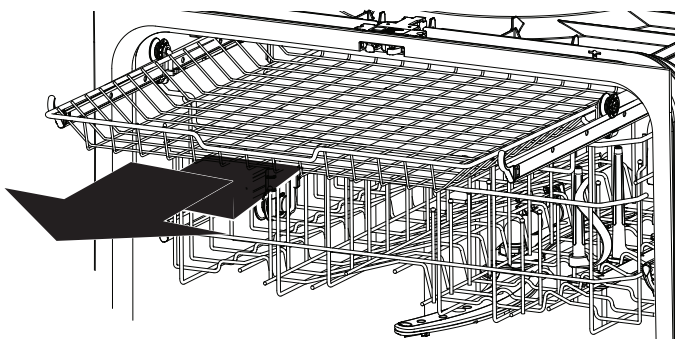
### NOTAS IMPORTANTES:

- No permita que cuchillerías de diferentes materiales tengan contacto una con otra en el 3er estante. Hacer esto podrá ocasionar la descoloración de la cuchillería.
- Las bandejas sólo deben ser usadas con un lavavajillas para el tercer estante de GE Appliances para usar con la vajilla de plata, utensilios de cocción y otros ítems pequeños. El uso de las bandejas para cualquier otro propósito podría ocasionar daños sobre las bandejas o daños sobre cualquier cosa que interactúe con las bandejas.
- Asegúrese de que el tercer estante esté completamente cerrado antes de cerrar la puerta del lavavajillas. Cerrar la puerta con el estante parcialmente extendido podría ocasionar daños sobre el lavavajillas.



El tercer estante también se puede retirar, a fin de que se puedan colocar ítems muy grandes en el estante superior:

Para retirar el 3er estante:



- 1 Con el estante completamente extendido, levante el frente del estante de modo que sus ruedas despejen el gancho de retención.
- 2 Continúe empujando el estante hasta que sus ruedas restantes despejen el gancho de retención.
- 3 Reemplace el estante alineando las ruedas del estante sobre el gancho de retención y los rieles – Asegúrese de que todas las ruedas estén ubicadas en la parte superior de los rieles de los estantes.

# Carga del lavavajillas

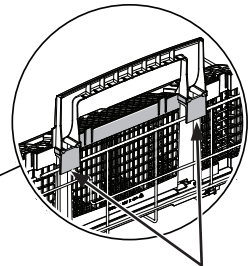
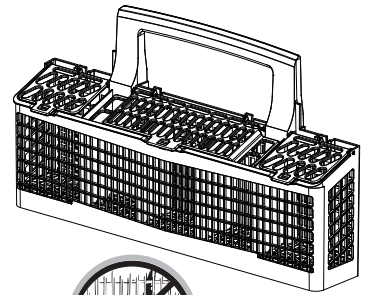
Los cubiertos/ vajilla plana se cargan usando las tapas de la canasta de cubiertos. Esto asegura un óptimo rendimiento del lavado de la vajilla. Realizar la carga de este modo, evita anidaciones y asegura que todos los ítems sean lavados de manera uniforme.

## Canasta de Cubiertos

Coloque la vajilla plana en las canastas de cubiertos retirables. Los objetos puntiagudos, tales como tenedores y cuchillos, podrán ser colocados con los mangos hacia arriba, a fin de proteger sus manos. Para el mejor rendimiento del lavado, coloque otros utensilios tales como cucharas con los mangos hacia abajo. Evite que los utensilios queden ubicados juntos, lo cual podría evitar que se laven de forma adecuada. Al realizar la carga, distribuya los utensilios de forma pareja en la canasta.

Las canastas de cubiertos podrán también ser usadas para utensilios pequeños, tales como cucharas de medición, tetinas de biberones, tapas de plástico, o recipientes de maíz. Las tapas de las canastas de cubiertos (en algunos modelos) se pueden cerrar con utensilios pequeños dentro.

**IMPORTANTE:** Asegúrese de que los productos no sobresalgan más allá del fondo del estante o la canasta de plata donde bloquearán la rotación del brazo intermedio de rociado. Esto podría ocasionar ruidos durante el funcionamiento y/o un lavado deficiente.



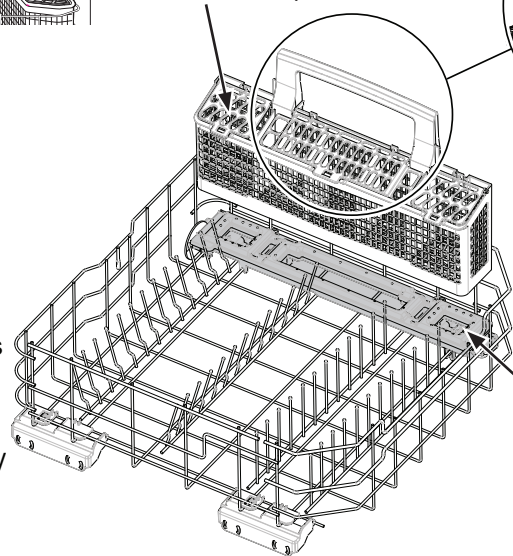
Tapas de la canasta para utensilios de plata

Asegúrese de que las lengüetas en la parte trasera de la canasta para utensilios de plata estén enganchadas al alambre superior del estante inferior.

## Chorros de Agua para la Limpieza Profunda de Utensilios de Plata (en algunos modelos)

El dispositivo de chorros de agua para la limpieza profunda de utensilios de plata elimina la comida atascada y difícil de quitar, y ayuda a separar cucharas y tenedores a fin de dejar los utensilios sin manchas, sin importar la cantidad de la carga. Para una limpieza óptima de sus utensilios de plata, siempre se recomienda el uso de tapas para canastas de utensilios de plata. Para los modelos con el tercer carril, el dispositivo de Chorros de Agua para la Limpieza Profunda de Utensilios de Plata también puede ser usado para limpiar recipientes de mezclas y otros utensilios de cocina.

No retire el ensamble del spray para el dispositivo de Chorros de Agua para la Limpieza Profunda de Utensilios de Plata del estante del lavavajillas.



Chorros de Agua para la Limpieza Profunda de Utensilios de Plata

Configuraciones de 8 lugares - Canasta de cubiertos - Modelos - GD\*650, GD\*665, GD\*670, PD\*715



Configuraciones de 10 lugares - Canasta de cubiertos - Modelos -GD\*650, GD\*665, GD\*670, PD\*715



**NOTA:** Para la carga opcional de cubiertos, consulte sobre el **Tercer Estante** en la sección de **Carga del Lavavajillas**



# Cuidado y Limpieza

## Panel de Control

A fin de limpiar el panel de control, use una tela levemente suave y húmeda. Luego seque totalmente.

## Panel de la Puerta Exterior

Antes de limpiar el panel frontal, asegúrese de saber qué tipo de panel posee. Consulte las últimas dos letras de su número de modelo. Puede ubicar su número de modelo en la pared de la tina del lado izquierdo, justo dentro de la puerta. Si su número de modelo termina en BB, DS, D1, ES, FS, TS, WW o W2 entonces el panel de su puerta está pintado. Si su número de modelo termina en SS o S1, entonces el panel de su puerta es de acero inoxidable. Si su número de modelo termina en II, entonces el panel de su puerta es integrado.

Siga las siguientes instrucciones para la limpieza del panel de la puerta correspondientes a su modelo específico.

**Panel de la Puerta Pintado** (números de modelo con terminación en BB o D1– negro, DS-pizarra negro, ES-pizarra, FS-resistente a las huellas dactilares, TS-acero inoxidable negro, o WW o WS-blanco.)

Limpie con un paño suave, limpio y levemente húmedo, y luego seque completamente.

**Panel de la Puerta de Acero Inoxidable** (número de modelo con terminación en SS o S1)

**Para limpiar óxido y deslustres**, los limpiadores con ácido oxálico tales como Bar Keepers Friend Soft Cleanser™ eliminarán el óxido, deslustres y pequeñas manchas. Use sólo un limpiador líquido libre de material abrasivo y frote en la dirección de las líneas del cepillo con una esponja suave y húmeda. No use cera para electrodomésticos ni pula sobre el acero inoxidable.

**Para otras manchas y marcas**, use Stainless Steel Magic o un producto similar, con una tela limpia y suave. Para limpiar su electrodoméstico, no use cera, limpia metales, blanqueadores ni productos que contengan cloro sobre el acero inoxidable. Puede ordenar Stainless Steel Magic N° WX10X29 a través de GE Appliances Parts (Piezas de GE Appliances) llamando al 1.877.959.8688.

## Interior del Lavavajillas

Para limpiar y desodorizar su lavavajillas, utilice ácido cítrico, o **Cascade® Platinum™ Dishwasher Cleaner** o **Finish® Dishwasher Cleaner**, un detergente aditivo. Ellas destruirá los depósitos minerales, y eliminará la película y manchas de agua dura. Puede ordenar el ácido cítrico n° WD35X151 a través de GE Appliances Parts (Piezas de GE Appliances) llamando al 877-959-8688 o visitando **GEApplianceparts.com**. En Canadá, llame al 1-800-661-1616. Puede comprar limpiadores de lavavajillas en su supermercado local.

## Puerta Interna y La Tina de Acero Inoxidable

El acero inoxidable usado para fabricar la tina del lavavajillas y la puerta interna brinda la mayor confiabilidad disponible en un lavavajillas de GE Appliances.

Si la tina del lavavajillas o la puerta interna fueran rayados o abollados durante el uso normal, los mismos no se oxidarán ni corroerán. Estas imperfecciones sobre la superficie no afectarán su funcionamiento o durabilidad.

# Cuidado y limpieza

## Filtros

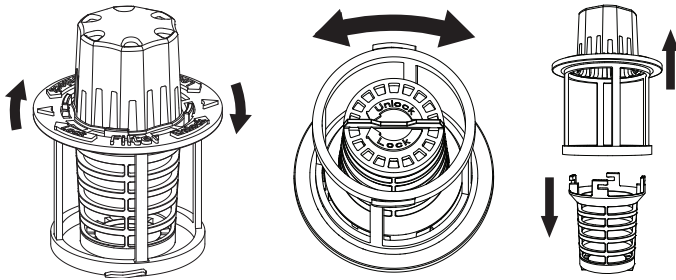
Inspeccione y limpie los filtros en forma periódica. Esto debería ser realizado cada dos meses o más, dependiendo del uso. Si hay una reducción en el rendimiento del lavado o los platos están arenosos, también hay una indicación de que es necesario lavar los filtros.

### Ensamble de Filtro Ultra Fino

Para limpiar el ensamble de Filtro Ultra Fino, retire la rejilla inferior. Gire el ensamble de Filtro Ultra Fino en sentido antihorario y levántelo para retirarlo para limpiarlo. Enjuague el filtro con agua jabonosa tibia y use una esponja para eliminar con cuidado las partículas rebeldes.

Para las unidades con un el ensamble de Filtro Ultra Fino de 2 piezas con una canasta de filtro adicional para partículas de alimentos, gire la canasta de filtro en sentido antihorario para desbloquearla del ensamble de Filtro Ultra Fino. Vea la dirección de las flechas en la parte inferior de la canasta del filtro. Tire de la canasta del filtro para retirarla del conjunto, deseche las partículas de alimentos, enjuague con agua jabonosa tibia y use una esponja para eliminar las partículas rebeldes.

El ensamble de Filtro Ultra Fino de 2 piezas con cesta de filtro adicional (en algunos modelos)

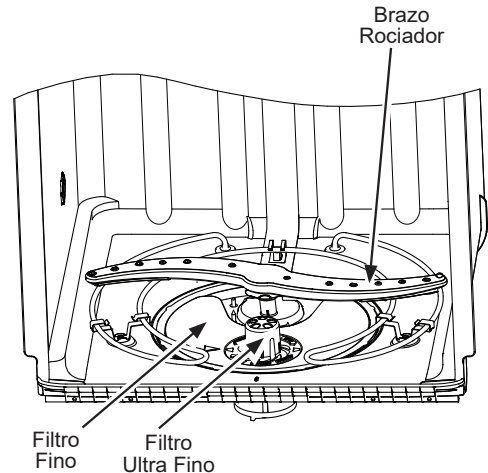


Una vez limpiada, vuelva a colocar la canasta del filtro en el ensamble de Filtro Ultra Fino y gírela en el sentido de las agujas del reloj para que encaje en su lugar.

### Filtro Fino

Para limpiar el Filtro Fino (placa de malla) retire el estante inferior. Retire el Filtro Ultra Fino.

Levante el Filtro Fino y retire el mismo de la parte inferior de las dos lengüetas traseras de retención. Enjuague el filtro con agua caliente y jabón. Los estropajos o cepillos pueden dañar la superficie del filtro, pero es posible que sea necesario usar un cepillo suave o esponja para retirar la suciedad difícil o los depósitos de calcio ocasionados por el agua dura. Una vez limpio, reemplace el Filtro Fino asegurándose de que sea colocado debajo de las dos lengüetas de retención traseras. Retire el Filtro Ultra Fino.



## Protección Contra Congelamientos

Si su lavavajillas se deja en un lugar sin calefacción durante el invierno, solicite a un técnico del servicio que:

- 1 Corte la corriente eléctrica al lavavajillas. Retire fusibles quemados o disyuntores desactivados.
- 2 Corte el suministro de agua y desconecte la línea de entrada de agua desde la válvula de agua.
- 3 Drene el agua desde la línea de entrada de agua y la válvula de agua. (Use una olla para atrapar el agua.)
- 4 Vuelva a conectar la línea de entrada de agua a la válvula de agua.

## ¿Posee su Lavavajillas un Espacio de Aire?

Un espacio de aire protege su lavavajillas contra la acumulación de agua en éste si un drenaje se atasca. El espacio de aire no es una parte del lavavajillas. No está cubierto por su garantía. No todos los códigos de plomería requieren espacios de aire; por lo tanto, es posible que usted no tenga uno.

Espacio de aire



Controle el espacio de aire en cualquier momento en que su lavavajillas no esté drenando de forma correcta.

### El espacio de aire es fácil de limpiar.

- 1 Apague el lavavajillas y levante la tapa del espacio de aire.
- 2 Retire el tapón de plástico debajo de la tapa y limpie con un palillo.
- 3 Reemplace el tapón y la tapa cuando el espacio de aire esté limpio.

# Antes de Solicitar el Servicio Técnico

| Problema   | Causas Posibles  | Qué Hacer   |
|--|--|---|
| La luz Smart Assist es de color rojo               | Se ha detectado un posible problema con su lavavajillas.   | Utilice la aplicación SmartHQ para identificar y resolver el posible problema. Si no está conectado a WiFi, compruebe si hay códigos en la pantalla y llame al servicio técnico.  |
| La luz Smart Assist es de color amarillo           | Hay una notificación disponible en la aplicación SmartHQ.  | Utilice la aplicación SmartHQ para seguir los pasos recomendados.   |
| Luz titilante del indicador del estado de Inicio   | La puerta fue abierta o el ciclo fue interrumpido.   | Presione la tecla <b>Start</b> (Iniciar) una vez y cierre la puerta dentro de los 4 segundos para iniciar el lavavajillas. Presione la tecla Start (Iniciar) una segunda vez cuando el lavavajillas esté funcionando, únicamente si desea cancelar el ciclo.  |
| El lavavajillas emite un PITIDO una vez por minuto | Esto es un recordatorio de que la puerta de su lavavajillas se dejó abierta durante el funcionamiento. Continuará emitiendo pitidos hasta que presione Start (Iniciar) y cierre la puerta. | Presione <b>Start</b> (Iniciar) y cierre la puerta.   |
| Pitidos al final del ciclo (en algunos modelos)    | Esto es normal. El lavavajillas emitirá dos pitidos al final del ciclo.  | Para apagar el indicador del doble pitido (o reactivarlo si fue apagado en forma previa), presione la tecla <b>Dry Boost</b> (Aumento del Secado) 5 veces dentro de un periodo de 3 segundos. Un triple pitido sonará para indicar que la opción del pitido de final del ciclo fue encendida o apagada.   |
| Los platos y los cubiertos no están limpios        | El filtro ultra-fino o fino está atascado  | Lea la sección de <b>Cuidado y limpieza</b> .   |
|  | Temperatura baja del agua entrante   | Asegúrese de que la temperatura del agua entrante sea la correcta (consulte la sección <b>Uso del lavavajillas</b> ). Encienda el grifo de agua caliente más cercano al lavavajillas, deje correr hasta que la temperatura del agua deje de subir. Luego inicie el lavavajillas y apague el grifo. Esto asegura que el agua entrante está caliente. Seleccione <b>Boost</b> si está disponible. |
|  | La presión del agua está temporalmente baja  | Abra el grifo. ¿Sale el agua de forma más lenta que lo normal? Si es así, espere hasta que la presión sea normal antes de usar el lavavajillas. La presión normal de agua hasta el lavavajillas debe ser de entre 20 y 120 psi.   |
|  | El espacio de aire o la salida de residuos están atascados   | Limpie el espacio de aire o despeje la salida de residuos.  |
|  | El bucle de drenaje alto o el espacio de aire no fueron instalados   | Consulte las Instrucciones de Instalación para instalar una línea de drenaje adecuada.  |
|  | Carga inadecuada del estante   | Asegúrese de que los utensilios grandes no bloqueen el dispensador de detergente o los brazos de lavado. Lea la sección de <b>Carga del lavavajillas</b> .  |
|  | Detergente de bajo rendimiento   | Utilice detergentes de alta calidad como <b>Cascade® Platinum™ ActionPacs™</b> o <b>Finish® Quantum® Automatic Dishwashing Detergent</b> .  |

## Antes de Solicitar el Servicio Técnico

| Problema  | Causas Posibles  | Qué Hacer   |
|---|--|---|
| Manchas y películas en vasos y utensilios                                       | Agua extremadamente dura   | Use agentes de enjuague de alta calidad como <b>Cascade® Platinum™ Power Dry™ Rinse Aid</b> o <b>Finish® Jet-Dry® Rinse Aid</b> para evitar manchas y evitar una nueva acumulación de películas.<br>Si sólo cuando el agua sea extremadamente dura, un ablandador puede ser necesario.  |
|   | Temperatura baja del agua entrante   | Asegúrese de que la temperatura del agua sea de por lo menos 120°F (49°C).  |
|   | Sobrecarga o carga inadecuada del lavavajillas   | Cargue el lavavajillas como se muestra en la sección <b>Carga del lavavajillas</b> .  |
|   | Detergente en polvo viejo o húmedo   | Asegúrese de que el detergente esté fresco. Utilice detergentes de alta calidad como <b>Cascade® Platinum™ ActionPacs™</b> o <b>Finish® Quantum® Automatic Dishwashing Detergent</b> .  |
|   | El dispensador del agente de enjuague está vacío   | Rellene con agentes de enjuague de alta calidad como el abrillantador <b>Cascade® Platinum™ Power Dry™ Rinse Aid</b> o <b>Finish® Jet-Dry® Rinse Aid</b> .  |
|   | Demasiado poco o bajo rendimiento del detergente   | Asegúrese de usar la cantidad correcta de detergente con alta calificación.   |
| Enturbiamiento de la cristalería  | Combinación de agua suave y demasiado detergente   | Esto se llama aguafuerte y es permanente. Para evitar que esto suceda, use menos detergente si cuenta con agua suave. Lave la cristalería en el ciclo más corto en que pueda quedar limpia.   |
|   | Detergente libre de fosfato con bajo rendimiento   | Lea sobre <b>Una película blanca sobre la cristalería, utensilios y su parte interna</b> en esta sección de <b>Solución de Problemas</b> .  |
|   | La temperatura del agua que ingresa al lavavajillas supera los 150°F (66°C)  | Esto podría ser aguafuerte. Baje la temperatura del agua caliente.  |
| Leve olor proveniente de la unidad durante la parte del secado durante el ciclo | Esto es normal cuando la opción <b>Dry Boost (Aumento del Secado)</b> es usada por primera vez. Esto es ocasionado por el calentamiento de partes nuevas y desaparecerá en un período breve. | Ninguna acción es requerida.  |
| Agua con jabón en la tina   | Detergente equivocado  | Utilice únicamente detergentes para lavavajillas automáticos de alta calidad para evitar la formación de espuma. Se probó que los <b>Cascade® Platinum™ ActionPacs™</b> o <b>Finish® Quantum® Automatic Dishwashing Detergent</b> fueron aprobados para su uso en todos los lavavajillas de GE Appliances.<br>Para eliminar el agua con jabón en la tina, abra el lavavajillas y permita que el agua con jabón se disipe. Abra la puerta, mantenga presionado <b>Start</b> (Iniciar) por 3 segundos y cierre la puerta. |
|   | El agente de enjuague se derramó   | Siempre limpie los derrames del agente de enjuague de forma inmediata.  |
| Se dejó detergente en las tazas del dispensador                                 | Los platos o utensilios están bloqueando la taza de detergente   | Reposicione los platos, de modo que el agua del brazo rociador inferior pueda despejar el detergente de la taza. Lea la sección <b>Carga del lavavajillas</b> .<br>Reposicione los utensilios o la vajilla pesada que pudiera estar impidiendo que la puerta de la taza del dispensador se abra. Lea la sección <b>Carga del lavavajillas</b> .<br>No coloque recipientes ni ollas grandes directamente debajo del dispensador de detergente.   |
| Marcas negras o grises en los platos  | Utensilios de aluminio fueron frotados contra los platos   | Retire las marcas con un limpiador suave y abrasivo.  |

# Antes de Solicitar el Servicio Técnico

| Problema  | Causas Posibles  | Qué Hacer  |
|---|--|--|
| Los platos no se secan  | Temperatura baja del agua entrante                                 | Asegúrese de que la temperatura del agua entrante sea de por lo menos 120°F.<br>Seleccione <b>Boost Dry</b> (Aumento del Secado).<br>Use la opción <b>Boost</b> .<br>Seleccione un ciclo más alto, tal como <b>Steam-Sani, Presoak-Sani, o Sanitize</b>  |
|   | El dispensador del agente de enjuague está vacío                   | Controle el dispensador del agente de enjuague y llene como se requiere.   |
|   | Es necesario tiempo de secado adicional                            | Deje la puerta cerrada cuando se encienda la luz de Clean (Limpio), para permitir que el ventilador funcione durante 90 minutos adicionales.<br><b>Nota:</b> Si abre la puerta, esta extensión del ventilador será cancelada.  |
| El panel de control respondió a las instrucciones pero el lavavajillas nunca se llenó de agua | Es posible que la puerta no esté completamente cerrada             | Asegúrese de que la puerta esté firmemente cerrada.  |
|   | Es posible que la puerta no esté agua esté cerrada                 | Asegúrese de que la válvula de agua (normalmente ubicada debajo del lavabo) esté abierta.  |
|   | Los elementos flotantes podrán quedar atascados                    | Retire el filtro Ultra Fino y suavemente golpee la pieza que se encuentra debajo del filtro ultra fino, el cual parece un salero. Reemplace el filtro.   |
| Interior de la tina   | Película blanca en la superficie interna — minerales de agua dura  | GE Appliances recomienda agentes de enjuague de alta calidad como el abrillantador <b>Cascade® Platinum™ Power Dry™ Rinse Aid</b> o <b>Finish® Jet-Dry® Rinse Aid</b> para evitar la formación de depósitos minerales de agua dura.<br>Haga funcionar el lavavajillas con ácido cítrico para eliminar los depósitos minerales. El ácido cítrico (número de pieza: <b>WD35X151</b> ) se puede ordenar a través de GE Appliances Parts (Piezas de GE Appliances). Para acceder a información sobre cómo ordenar, lea la contratapa. De forma alternativa, adquiera <b>Cascade® Platinum™ Dishwasher Cleaner</b> o <b>Finish® Dishwasher Cleaner</b> y siga las instrucciones en la etiqueta. |
| El lavavajillas no funciona   | Se quemó el fusible o el disyuntor está desactivado                | Reemplace el fusible o reinicie el disyuntor. Retire cualquier otro electrodoméstico del circuito.   |
|   | El encendido está apagado  | En algunas instalaciones, el encendido del lavavajillas es provisto a través de un interruptor de pared, con frecuencia ubicado junto al interruptor de desechos. Asegúrese de que esté encendido  |
|   | El panel de control está bloqueado                                 | Desbloquee el panel de control. Consulte la sección <b>Puesta en marcha</b> .  |
|   | Se detecta fuga  | Algunos modelos están equipados con la detección de fugas y el ciclo se cancelarán si se detecta una fuga. La pantalla mostrará "LEAK DETECTED" (FUGA DETECTADA). Contacto con Café para el servicio.  |
|   | No se siguió la secuencia de proper Start (Inicio) adecuado        | Consulte la sección Uso del lavavajillas.  |
| Las luces del panel de control se apagan cuando está los controles                            | Demasiado tiempo para presionar las teclas seleccionadas           | Cada tecla deberá ser presionada dentro de los 30 segundos con relación a las demás. Para volver a iluminarlas, presione cualquier tecla nuevamente o abra la puerta y desbloquee (control superior).  |
| Agua en el fondo de la tina   | El espacio de aire está atascado                                   | Limpie el espacio de aire. Lea la sección de <b>Cuidado y limpieza</b> .   |
|   | El bucle de drenaje alto o el espacio de aire no fueron instalados | Consulte las Instrucciones de Instalación para instalar una línea de drenaje adecuada.   |
| El agua no es bombeada fuera de la tina   | El drenaje está atascado   | Si hay un espacio de aire, limpie el mismo. Lea la sección de <b>Cuidado y limpieza</b> .<br>Si el lavavajillas drena hacia la salida de residuos, despeje esta última.<br>Controle que el lavabo de su cocina esté realizando un drenaje correcto. De no ser así, es posible que deba llamar a un plomero.  |



## Antes de Solicitar el Servicio Técnico

| Problema   | Causas Posibles   | Qué Hacer   |
|--|---|---|
| Vapor  | Esto es normal  | Aparece aire caliente y húmedo a través de la ventilación durante el secado y cuando el agua es bombeada hacia afuera. Esto es necesario para el secado.  |
| La luz de desinfección no se ilumina al finalizar el ciclo                       | La puerta fue abierta y el ciclo fue interrumpido durante el enjuague final   | No interrumpa el ciclo abriendo la puerta durante el ciclo de lavado.   |
|  | La temperatura del agua entrante era demasiado baja   | Eleve la temperatura del calentador de agua a entre 120°F y 150°F.  |
| Ruido  | Sonidos de funcionamiento normal:<br>Apertura de la taza de detergente<br>Entra agua al lavavajillas<br>El motor se detiene y activa en diferentes momentos durante el ciclo<br>Los brazos rociadores se activan y detienen en diferentes momentos<br>Sonidos de bombeo del drenaje durante el vaciado<br>El bombeo del drenaje se activa y detiene varias veces durante cada drenaje | Todos estos son normales. Ninguna acción es requerida.  |
|  | Sonido ruidoso de los platos cuando el brazo rociador gira  | Asegúrese de que los platos hayan sido cargados de forma adecuada. Lea la sección <b>Carga</b> .  |
|  | Sonido ruidoso de los utensilios contra la puerta durante el lavado   | Los utensilios altos podrán ser colocados en el estante superior a fin de evitar el bombeo contra la puerta interna durante el ciclo de lavado.   |
| Una película blanca en la cristalería, utensilios y el interior                  | Es posible que este problema sea ocasionado por un libre de fosfato de baja calidad   | A fin de eliminar la película blanca, lave los platos a través del ciclo del lavavajillas con ácido cítrico. Use el kit de ácido cítrico <b>WD35X151</b> , el cual puede encontrar a través de Internet. De lo contrario, use agentes de enjuague de alta calidad como el limpiador para lavavajillas <b>Cascade® Platinum™ Dishwasher Cleaner</b> o <b>Finish® Dishwasher Cleaner</b> , el cual puede adquirir en una tienda de compras local. Vierta el ácido cítrico en la taza de detergente y cierre la tapa. Coloque la cristalería y utensilios con la película o de otro modo limpia en el lavavajillas. Deje los utensilios de plata y otros artículos metálicos fuera del lavavajillas. Encienda el lavavajillas y haga que funcione un ciclo completo sin detergente. La cristalería, los utensilios y el lavavajillas deberían finalizar sin la película sobre éstos. De forma alternativa, se podrá usar un enjuague con vinagre. Vierta una taza de vinagre en el lavavajillas justo después de que la taza de detergente se abra y deje que el lavavajillas complete su ciclo.<br>Esto se podrá repetir varias veces al año, de ser necesario. El uso de agentes de enjuague de alta calidad como <b>Cascade® Platinum™ Power Dry™ Rinse Aid</b> o <b>Finish® Jet-Dry® Rinse Aid</b> podrá ayudar a minimizar una nueva acumulación de la película. Además, el uso de detergentes de alta calidad como <b>Cascade® Platinum™ ActionPacs™</b> o <b>Finish® Quantum® Automatic Dishwashing Detergent</b> ayudará a evitar la acumulación de la película. |
| Sienta el aire en sus piernas al pararse frente al lavavajillas durante el ciclo | Esto es normal  | No interrumpa el ciclo. Ninguna acción es requerida.  |

# Garantía limitada del lavavajillas GE Appliances

## GEAppliances.com

Todo el servicio de garantía es provisto por nuestros Centros de Servicio de Fabricación, o un técnico autorizado de Servicio al Cliente (Customer Care®). Para programar una visita del servicio técnico, visítenos a través de Internet en **GEAppliances.com/service**, o llame GE Appliances al 800.GE.CARES (800.432.2737). Cuando llame para solicitar el servicio, tenga los números de serie y modelo disponibles.

Para realizar el servicio técnico de su electrodoméstico se podrá requerir el uso de datos del puerto de abordaje para su diagnóstico. Esto da al técnico del Servicio de Fábrica de GE Appliances la habilidad de diagnosticar de forma rápida cualquier problema con su electrodoméstico, y de ayudar a GE Appliances a mejorar sus productos al brindarle a GE Appliances la información sobre su electrodoméstico. Si no desea que los datos de su electrodoméstico sean enviados a GE Appliances, solicitamos que le indique a su técnico NO entregar los datos a GE Appliances en el momento del servicio.

| Por el Período de:                                 | Se sustituirá:  |
|--|---|
| <b>Un Año</b><br>Desde la fecha de compra original | <b>Cualquier pieza</b> del lavavajillas que falle debido a un defecto de los materiales o la mano de obra. Durante esta <b>garantía limitada de un año</b> , también ofrecemos, <b>en forma gratuita</b> , toda la mano de obra y los costos de servicio para reemplazar la pieza defectuosa. |

### Lo que no está cubierto:

- Viajes del personal de servicio a su casa para enseñarle cómo usar su producto.
- Instalación, entrega o mantenimiento inapropiada.
- Fallas del producto si es maltratado, mal usado, o usado para un propósito diferente del que se creó o si es usado para usos comerciales.
- Cambio de los fusibles de su casa o reajuste del circuito de interruptores.
- Productos sin defectos o rotos, o los cuales se encuentran funcionando como se indica en el Manual del propietario.
- Daños al producto causados por accidentes, incendios, inundaciones o actos de la naturaleza.
- Daños imprevistos resultantes causados por posibles defectos con este electrodoméstico.
- Defectos o daños debido a la puesta en funcionamiento a temperaturas de congelación.
- Daño causado después de la entrega, incluido el daño causado por los objetos que cayeron en la puerta.
- Producto no accesible para facilitar el servicio requerido.
- Limpieza o servicio técnico del dispositivo de espacio de aire en la línea de drenaje.

### EXCLUSIÓN DE GARANTÍAS IMPLÍCITAS

Su única y exclusiva alternativa es la reparación del producto, como se indica en la Garantía Limitada. Las garantías implícitas, incluyendo garantías implícitas de comerciabilidad o conveniencia sobre un propósito particular, se limitan a un año o al período más corto permitido por la ley.

Esta garantía limitada se extiende al comprador original y a cualquier propietario subsecuente para productos comprados para uso doméstico dentro Estados Unidos. Si el producto está situado en un área que no dispone de servicio por parte de un proveedor de servicio autorizado de GE Appliances, podría tener que hacerse cargo de los costes de envío o bien podría solicitársele que lleve el producto a un centro de servicio de GE Appliances autorizado para realizar la reparación. En Alaska, la garantía limitada excluye el costo de envío o las visitas de servicio a su casa.

Algunos estados no permiten la exclusión o limitación de daños imprevistos. Esta garantía limitada le da sus derechos legales específicos, y es posible que usted tenga otros derechos legales que varían de estado a estado. Para informarse de cuáles son sus derechos legales, consulte a su oficina de asuntos del consumidor local o estatal o póngase en contacto con la Oficina de su Procurador General.

**Garante: GE Appliances, a Haier company**  
**Louisville, KY 40225**

**Garantías Extendidas:** Adquiera una garantía extendida de GE Appliances y conozca los descuentos especiales que están disponibles mientras su garantía aún está vigente. Puede acceder a la misma a través de Internet en cualquier momento en

[geappliances.com/extended-warranty](http://geappliances.com/extended-warranty)

o llamando al 800.626.2224 durante el horario comercial. Los Servicios para los GE Appliances aún estarán disponibles cuando su garantía caduque.

Abroche su recibo aquí. Para acceder al servicio técnico de acuerdo con la garantía deberá contar con la prueba de la fecha original de compra.

# Soporte para el Consumidor

---

## Sitio Web de GE Appliances

¿Desea realizar una consulta o necesita ayuda con su electrodoméstico? ¡Intente a través del Sitio Web de GE Appliances las 24 horas del día, cualquier día del año! Usted también puede comprar más electrodomésticos maravillosos de GE Appliances y aprovechar todos nuestros servicios de soporte a través de Internet, diseñados para su conveniencia. [GEAppliances.com](http://GEAppliances.com)

---

## Registre su Electrodoméstico

¡Registre su electrodoméstico nuevo a través de Internet, según su conveniencia! Un registro puntual de su producto permitirá una mejor comunicación y un servicio más puntual de acuerdo con los términos de su garantía, en caso de surgir la necesidad. También puede enviar una carta en la tarjeta de inscripción preimpresa que se incluye con el material embalado. [GEAppliances.com/register](http://GEAppliances.com/register)

---

## Servicio Programado

El servicio de reparación de expertos de GE Appliances está a sólo un paso de su puerta. Conéctese a través de Internet y programe su servicio a su conveniencia cualquier día del año.

[GEAppliances.com/service](http://GEAppliances.com/service)

o comuníquese al 800.432.2737 durante el horario de atención comercial.

---

## Garantías Extendidas

Adquiera una garantía extendida de GE Appliances y conozca los descuentos especiales que están disponibles mientras su garantía aún está vigente. La puede adquirir en cualquier momento a través de Internet. Los servicios de GE Appliances aún estarán allí cuando su garantía caduque.

[GEAppliances.com/extended-warranty](http://GEAppliances.com/extended-warranty)

o comuníquese al 800.626.2224 durante el horario de atención comercial.

---

## Conectividad Remota

Para solicitar asistencia para la conectividad de red inalámbrica (para modelos con acceso remoto), visite nuestro sitio web en [GEAppliances.com/connect](http://GEAppliances.com/connect) o comuníquese al 800.220.6899.

---

## Piezas y Accesorios

Aquellos individuos calificados para realizar el servicio técnico de sus propios electrodomésticos podrán solicitar el envío de piezas o accesorios directamente a sus hogares (se aceptan las tarjetas VISA, MasterCard y Discover). Ordene hoy a través de Internet durante las 24 horas, todos los días. [GEApplianceparts.com](http://GEApplianceparts.com) o de forma telefónica al 877.959.8688 durante el horario de atención comercial.

**Las instrucciones que figuran en este manual cubren los procedimientos que serán realizados por cualquier usuario. Otros servicios técnicos generalmente deben ser derivados a personal calificado del servicio. Se deberá tener cuidado, ya que una reparación indebida podrá hacer que el funcionamiento no sea seguro.**

---

## Contáctenos

Si no se encuentra satisfecho con el servicio que recibió de GE Appliances, comuníquese con nosotros a través de nuestro sitio Web con todos los detalles, incluyendo su número telefónico, o escriba a:

General Manager, Customer Relations | GE Appliances, Appliance Park | Louisville, KY 40225

[GEAppliances.com/contact](http://GEAppliances.com/contact) o comuníquese al 800.626.2000