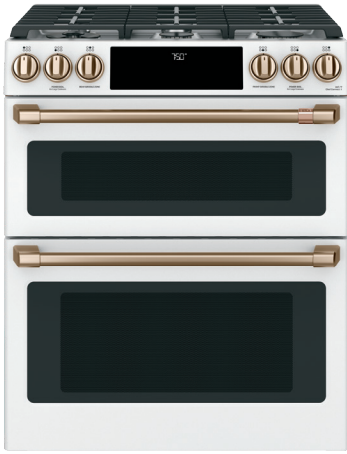


Café™ 30" Slide-In Front Control Gas Double Oven with Convection Range

CGS750P4MW2 / CGS750P3MD1 / CGS750P2MS1

CAFÉ

DISTINCT BY DESIGN™



ALSO AVAILABLE IN



CGS750P2MS1
Stainless Steel with Brushed Stainless handles and knobs



CGS750P3MD1
Matte Black with Brushed Stainless handles and knobs



FEATURES & BENEFITS

Create dinners and desserts at the exact same time - From everyday gourmet meals to large dinner parties, achieve impressive results with two independent ovens with a total capacity of 6.7 cu. ft. for true cooking flexibility, along with the accurate heat circulation of True European Convection with Precise Air in the lower oven

An attractive appearance at all times - Every detail of your kitchen is designed to delight, thanks to a sleek backlit glass touch control panel that visually disappears when not in use and wakes up when prompted

Expansive six-burner cooktop helps you entertain with ease - Entertaining for large groups is easy with the industry's first six burner, edge-to-edge cooktop that can accommodate cookware of all sizes and a cast-iron integrated griddle that provides enough room to perfectly flip crab cakes, arepas and other crowd favorites

Share favorite creations with your favorite people - Create an unforgettable dinner, using a 21K tri-ring burner to do everything from searing scallops to simmering a lemon caper white wine sauce and a 15K power boil burner to boil water quickly for al dente angel hair pasta

Create a look that matches your personal style - Select any combination of premium finishes and hardware options to create a stunning look customized to any owner's taste

Never scrub racks - Easily remove everything from heavy roasts to delicate desserts with never scrub racks that stay in the oven during the self-clean cycle

Prepare foods to perfect doneness - Get roasts and meats just right with a temperature probe that lets you monitor progress without opening the oven door

WIFI-ENABLED FEATURES

Built-In WiFi, Powered by SmartHQ App - Manage all aspects of your kitchen with the help of the SmartHQ™ App or your voice assistant

Personalized Features + Upgrades - Usher in the latest features by downloading cooking upgrades right to your oven, putting Air Fry and more in your repertoire

No-Preheat Air Fry - Cook healthier, crispier versions of your favorite foods in less time, thanks to an air fryer right in your oven that doesn't require preheating, a basket or a special tray

APPEARANCE

Cooktop Burner Grate Color	Matte Black
Oven Door Features	Big Clear View Oven Window
Handle	Professional Style Customizable Consumer Removable
Handle Design	Café

FEATURES

Configuration	Double Oven Range
Cooking System	True Convection
	Traditional Upper Convection Lower
Cooking Technology	Self-Clean with Steam Clean Option
Oven Cleaning Type	21,000 BTU Tri-ring Burner
Burner - Left Front	5,000 BTU Precise Simmer
Burner - Left Rear	15,000 BTU
Burner - Right Front	12,000 BTU
Burner - Right Rear	9,500 BTU Front / 9,500 BTU Rear
Burner - Center	Sealed
Cooktop Burner Type	Deep Recessed Stainless Steel
Cooktop Surface	Yes
Dishwasher Safe Knobs	Front controls
Control Location	Backlit Glass Touch
Control Type	270
Valves (Degree of Turn)	No-Preheat Air Fry Remote Control Remote Notifications Scan-to-Cook (Oven) Timers (App) Clock Sync Voice Assistants (Google and Alexa)
WiFi Enabled Features	Audible Preheat Signal Automatic Oven Timer (Time Bake) Auto Oven Shut-Off with Override Auto Self Clean Sabbath Mode Chef Connect Control Lock Capability Delay Bake Option (Time Bake) Delay Clean Option Digipad Numeric Entry Electronic Clock and Timer Front Controls In-Oven Broiling Temperature Probe Self-Clean Cool Down Time Display
Oven Control Features	Baked Goods - Lower Oven Convection Bake Convection Roast Frozen Pizza Single Rack - Lower Oven (No Preheat) Frozen Snacks Single Rack - Lower Oven (No Preheat) Proof - Lower Oven Warming - Both Ovens
Oven Cooking Modes	Heavy-Cast Edge-to-Edge Grates
Cooktop Burner Grate Features	Cast-Iron
Cooktop Burner Grate Material	Variable with Delay Clean Option
Cleaning Time	Automatic
Self-Clean Oven Door Lock	1 Self-Clean Flat Oven Rack (Upper) 2 Self-Clean Flat Oven Racks (Lower) 6 Rack Positions
Oven Rack Features	Natural Gas (factory set)
Fuel Type	Electronic
Ignition System	4 Leveling Legs
Leveling System	Commercial
Style	2 Oven Interior Lights Black
Oven Interior	Amazon Alexa The Google Assistant IFTTT Nest Drop Innit DiGiorno
Connected Capabilities	

CAPACITY

Total Capacity (cubic feet)	7.0 cu ft
Capacity (Cu. Ft.)	2.4 Upper / 4.3 Lower

Café™ 30" Slide-In Front Control Gas Double Oven with Convection Range

CGS750P4MW2 / CGS750P3MD1 / CGS750P2MS1

CAFÉ

DISTINCT BY DESIGN™

ACCESSORIES

Grates	Included Center Grate
Grill	Optional Integrated Cast Iron JXCGRILL1
LP Conversion Kit	Included
Trim Kit	Optional JXFILLR1SS, JXFILLR1DD
Griddle	Included Integrated Cast Iron

WEIGHTS & DIMENSIONS

Depth with Door Open	43-7/8 in
Approximate Shipping Weight	291 lb
Net Weight	271 lb
Height to Top of Rear Vent Trim	37-3/8 in
Overall Height	37-3/8 in
Height to Cooking Surface (in.)	36-1/4 +/- 1/4
Overall Width	29-7/8 in
Cabinet Width	30 in
Overall Depth	29-1/2 in
Depth Without Handle	26-7/8 in
Oven Interior Dimensions (W x H x D) (in.)	24 x 9-1/8 x 19-1/8 - Upper 24 x 15 x 20-5/8 - Lower

POWER / RATINGS

Convection Wattage	1200W
Top Burner BTU Rating - LP (000's BTU's)	(1) 18.0 Tri-Ring; (1) 15.0(1) 12.0 (2) 9.5; (1) 5.0
Top Burner BTU Rating - Nat. Gas (000's BTU's)	(1) 21.0 Tri-Ring; (1) 15.0; (1) 12.0 (2) 9.5; (1) 5.0
Volts/Hertz/Amps	120v; 60Hz; 15A
Bake/Broiler BTU Rating - LP (000's BTU's)	7.0 / 120V - Upper 13.5 / 13.5 - Lower
Bake/Broiler BTU Rating - Nat. Gas (000's BTU's)	7.0 / 120V - Upper 14.0 / 16.5 - Lower

WARRANTY

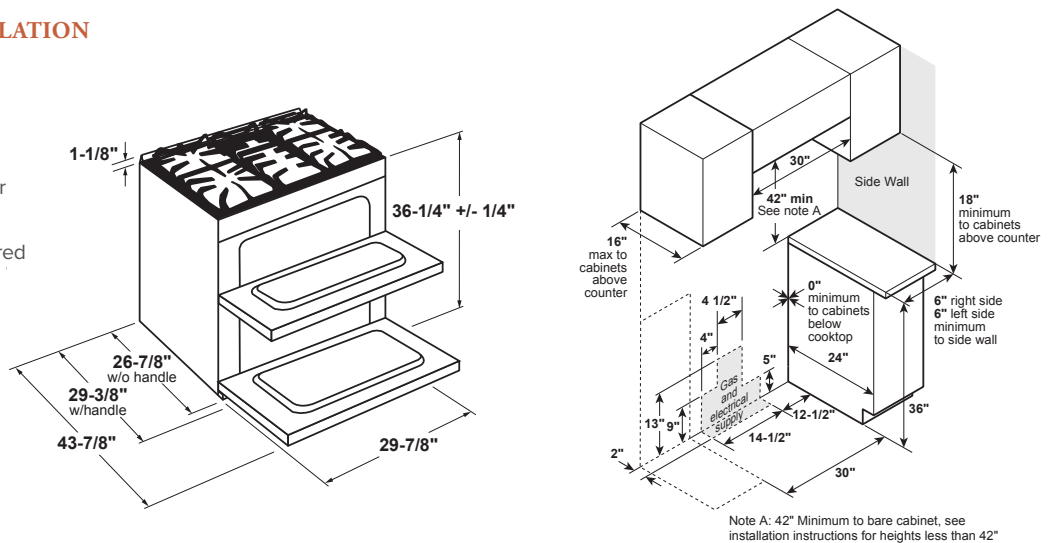
Parts warranty	Limited 1-year entire appliance
Labor warranty	Limited 1-year entire appliance

DIMENSIONS AND INSTALLATION

Electrical Requirements: 120v
60Hz, 15A

Installation information: Before installing, consult installation instructions packed with product for current dimensional data.

For all installations, install the required rear trim to back of range with 4 screws provided.



ADDITIONAL ACCESSORIES



CXFCGHKPMBZ
Brushed Bronze
2 handles
6 knobs

(Standard on Matte White)



CXFCGHKPMSS
Brushed Stainless
2 handles
6 knobs

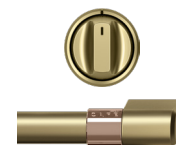
(Standard on Matte Black)



CXFCGHKPMBT
Brushed Black
2 handles
6 knobs



CXFCGHKPMCU
Brushed Copper
2 handles
6 knobs



CXFCGHKPMCG
Brushed Brass
2 handles
6 knobs



CXFCGHKPMFB
Flat Black
2 handles
6 knobs