

EBS31SS1

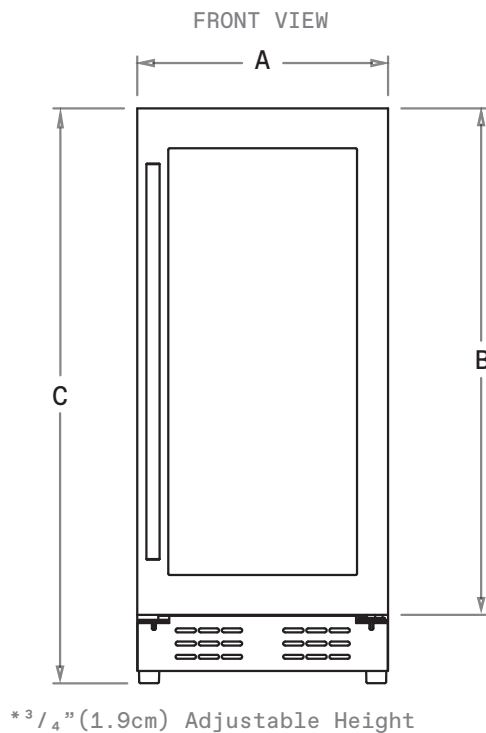
Specification sheet

Beverage center | Single door, Single zone



Learn more

MEASUREMENTS



	EBS31SS1
A	15" (38.1 cm)
B	30 3/16" (76.6 cm)
C	34 1/4" (86.9 cm)

DESCRIPTION

A smart and compact solution for any space, the 15" model fits perfectly in kitchens, bars, or small living areas, without sacrificing performance. Ideal for tight spaces, it offers flexible installation options while maintaining top functionality. It keeps your wines and beverages at their ideal temperatures. The sleek design and advanced technology ensures that even in the smallest spaces, your drinks are preserved at their best.



FEATURES

- Open door alarm
- Concealed hinge
- High efficiency carbon filters
- EPC technology
- Quiet operation
- Eco-mode



GENERAL PROPERTIES

Standard Width	15"
Model	EBS31SS1
Dimensions	15"W x 22 5/16"D x 34 1/4"H
Product Weight	99 lbs
Installation type	Built-In & free standing
Refrigeration type	R600a
Volume	2.9 cu ft(83L)
Sound level	39 dBA
Door finish	304 Stainless Steel + Tempered Glass
Cabinet finish	Black
Interior finish	Black
Hinge design	Concealed
Lighting	3 level white LED
Controls	Capacitive Touch Display with white numbers

COOLING ZONE - BEVERAGES

Total Capacity	77 cans (12 oz) 4 bottles of wine (25 oz)
Temperature Ranges	34 to 65°F
Shelving	1 Full extension rack of beechwood with metal front 2 Adjustable tempered glass shelves with metal front trim

DOOR

Door handle	Tubular
Door tempered glass	Tinted dual panel, Low-e argon-filled
Reversible Door	Yes

ELECTRICAL SPECIFICATIONS

Compressor Brand	Embraco
Min. Circuit Required	15 A
AC Power	110-120V / 60HZ
Amperage	1.25A
Plug type	B

OTHER FEATURES

Sabbath mode
Premium full extension beechwood wine rack
White LED lights with 3 level Kelvin shade adjustment
Anti Vibration technology & Anti Damping system
Double panel tempered glass door, UV coated
Stylish look with tubular handle

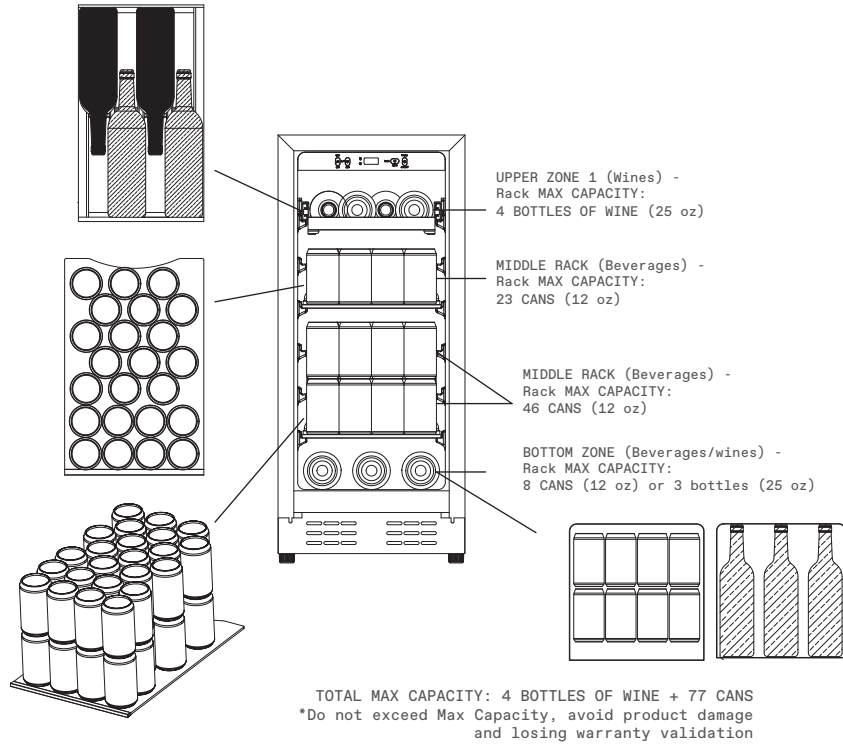
KITS

Carbon filter Replacement	L00114-1
PRO handle	KIT0175505

WARRANTY:* Two (2) Years Parts & In-Home Labor. Earn an additional One (1) Year of Parts & In-Home Labor by registering on elica.com**

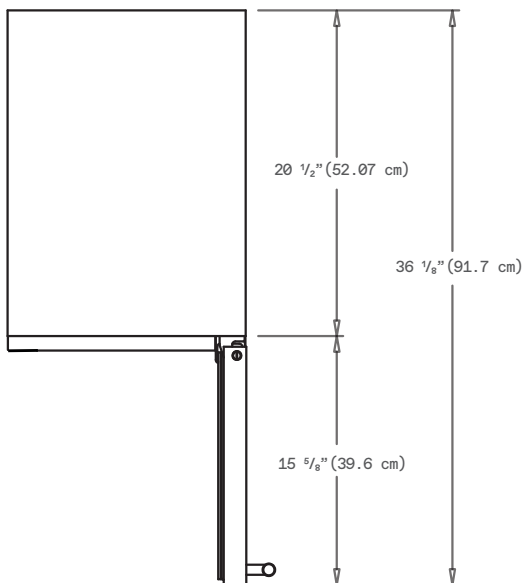
* The product images shown are for illustration purposes only and may not be an exact representation of the product.
** For valid warranty extension, register within 3 months from purchase. For USA & Canada Users Only.

STORAGE CAPACITY

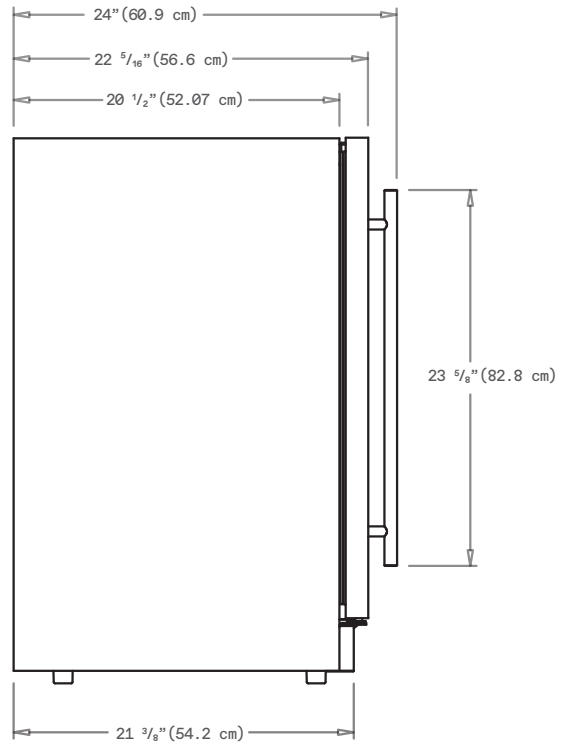


LINE DRAWINGS

TOP VIEW



SIDE VIEW



Domestic use only.
Refrigeration, no freezing capability.
Compressor included.

