

CLASSIC RANGE SERIES (CGR)

30 in. 4.2 cu. ft. Range with 4 Burner Cooktop and Convection Gas Oven

ZLINE
ATTAINABLE LUXURY®

CGR30 Stainless Steel

All 30" models come standard with 1 brass dual burner



Black Stainless Steel



Satin Stainless Steel



FEATURES AND BENEFITS

Italian-Made Auto Re-ignition Burners: 4 Italian-made gas burners utilize automatic re-ignition innovation for improved temperature control and cooktop safety.

Landscape Oven Window: The Classic Series ranges feature a sleek Landscape oven door design that provides ample viewing space to ensure dishes inside are perfectly cooked.

Stainless Steel Oven Burners: Tubular bake and broil burners are designed for optimal gas combustion that allows for even heat distribution for an ideal baking experience.

Dual Function Burner: Expand your cooking capabilities with a single Dual Function Burner that allows you to simmer at 800 BTU or perfectly sear at 20,000 BTU.

Convection Gas Oven: Elevate your culinary endeavors with standard bake, broil, and convection bake modes with a maximum BTU output of 22,000.

Large Oven Capacity: Large oven capacity of 4.2 cu. ft. fits pans up to 20 in. wide for maximum space and convenience.

StayPut Oven Door Hinges: Designed to support the full weight of the oven door, offering additional convenience and safety.

Premium Oven Insulation: A 3-layered glass oven door with a large viewing window and aluminum mesh seal offers superior heat retention and consistent temperatures.

Smooth Glide Ball-Bearing Oven Racks: 2 durable ball bearing oven racks provide extra convenience and ease when working with larger dishes.

LP Conversion Kit: Comes equipped with an LP conversion kit to convert from natural gas to liquid propane (must be done by a professional), offering versatility with your cooking preference.

OVEN FEATURES

Interior Dimensions	24 7/8" W x 17 3/4" D x 16" H
Self-Clean	No
Oven Lighting	(2) Halogen
Oven Features	Bake, Broil, Convection Bake
Convection Fan	Yes
Number of Racks	2
Child Lock	No

OVEN BTU

Broil BTU Output	10,000 BTU
Bake BTU Output	22,000 BTU

ELECTRICAL REQUIREMENTS

120 V / 60 Hz / 15 A Dedicated Circuit

LIMITED WARRANTY

Manufacturing Warranty: 1-year parts and labor.

Italian Burners and Spark Tips: Limited Lifetime Warranty.

Limited Lifetime includes: parts replacements for burners, burner caps, and parts and labor for the spark tip if parts prove to be defective in materials or workmanship.

**Appliance protection plans sold separately, contact for more information.*

GENERAL PROPERTIES

SKUs	CGR30, CGRS-30, CGRB-30
Base Finishes	Stainless Steel, Black Stainless Steel, Satin Stainless Steel
Fuel Type	Gas (Propane or Natural Gas)
Burners	4
Mount Type	Free Standing
Timer	No
Material	430 Grade Stainless Steel
Grates	Professional
Certification	ETL Certified

DIMENSIONS AND WEIGHT

Product Dimensions	30" W x 27 3/4" D x 36" H
Cutout Dimensions	30 1/4" W x 24 3/4" D x 36" H
Product Weight	218 lb (98.8 kg)

COOKTOP FEATURES

Burners	(3) Aluminum Burners and (1) Brass Burner
Cooktop	Porcelain With Electronic Spark Ignition For All Burners

COOKTOP BTU (Electronic Ignition and Auto Re-ignition)

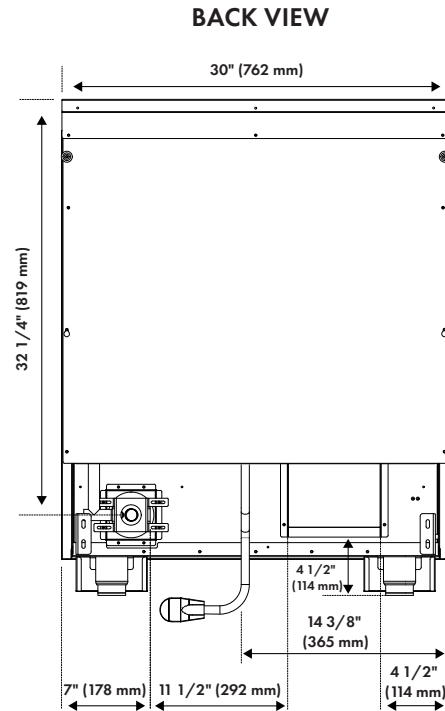
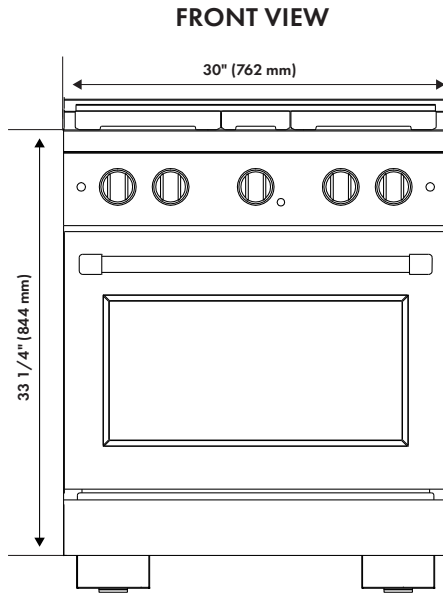
Back Left (Semi-Rapid)	9,000 BTU
Front Left (Rapid)	15,000 BTU
Back Right (Semi-Rapid)	9,000 BTU
Front Right (Dual)	20,000 BTU

Not the right fit? [Click here](#) to view our range collections.

CLASSIC RANGE SERIES (CGR)

30 in. 4.2 cu. ft. Range with 4 Burner Cooktop and Convection Gas Oven

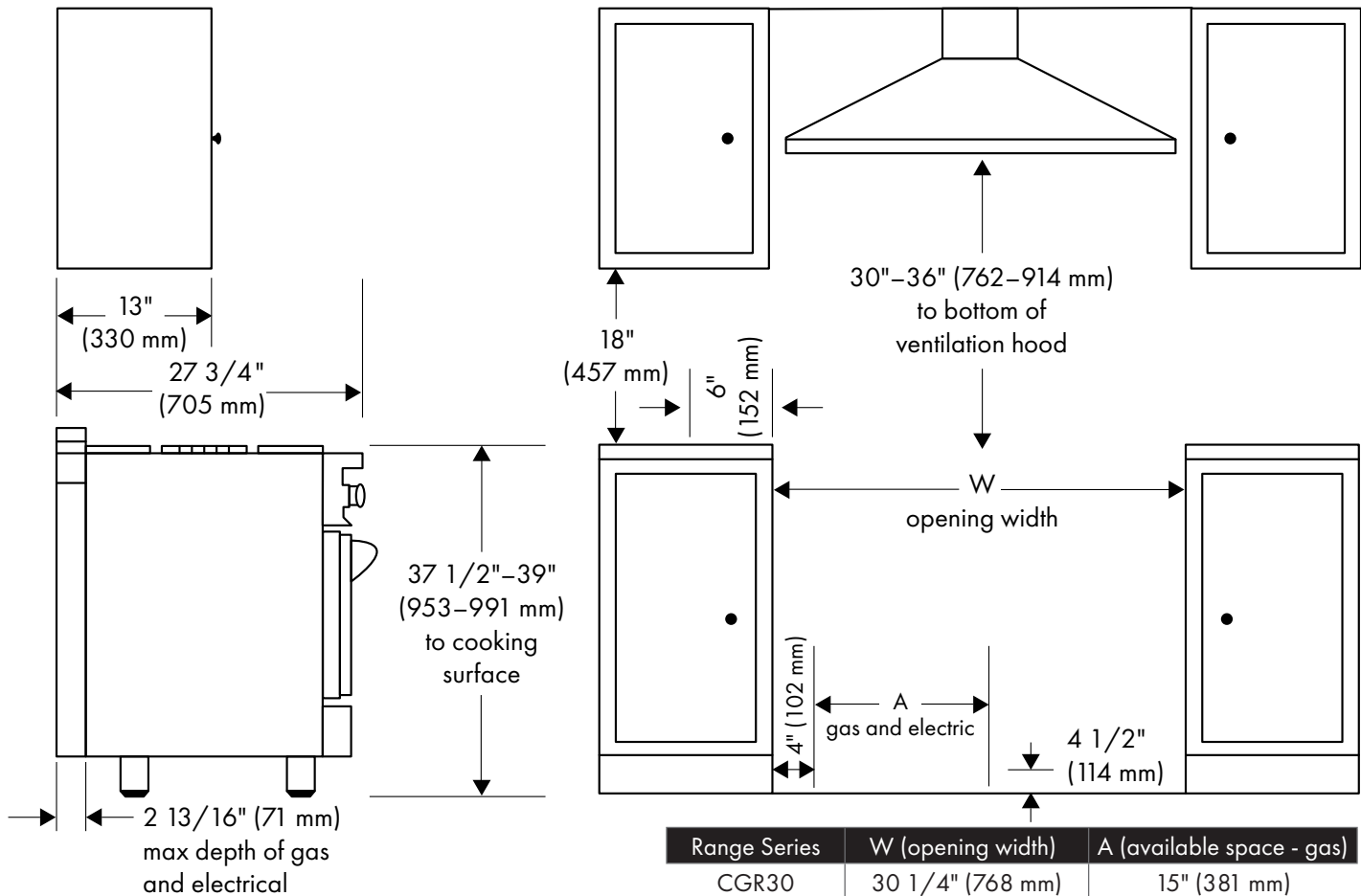
ZLINE
ATTAINABLE LUXURY®



INSTALLATION RESOURCES

Installation / User Manual

[Click Here](#)



AUTOGRAPH EDITION

Andrew Ferro

Satin Stainless Steel With
Matte Black Accents



SATIN STAINLESS STEEL

Polished Gold	CGRSZ-30-G
Champagne Bronze	CGRSZ-30-CB
Matte Black	CGRSZ-30-MB

Stainless Steel With
Champagne Bronze Accents



STAINLESS STEEL

Polished Gold	CGRZ-30-G
Champagne Bronze	CGRZ-30-CB
Matte Black	CGRZ-30-MB

Black Stainless Steel With
Polished Gold Accents



BLACK STAINLESS STEEL

Polished Gold	CGRBZ-30-G
Champagne Bronze	CGRBZ-30-CB

AUTOGRAPH EDITION + COLORED DOOR

Stainless Steel White Matte Door
With Polished Gold Accents



STAINLESS STEEL WITH WHITE MATTE DOOR

Polished Gold	CGRZ-WM-30-G
Champagne Bronze	CGRZ-WM-30-CB
Matte Black	CGRZ-WM-30-MB

AUTOGRAPH ACCENT COLORS

Autograph Edition Includes:
Brass Burners, Autograph Edition Knobs, Knob Rings, Handle and 2 Feet Covers.

POLISHED GOLD

CHAMPAGNE BRONZE

MATTE BLACK

BASE FINISHES

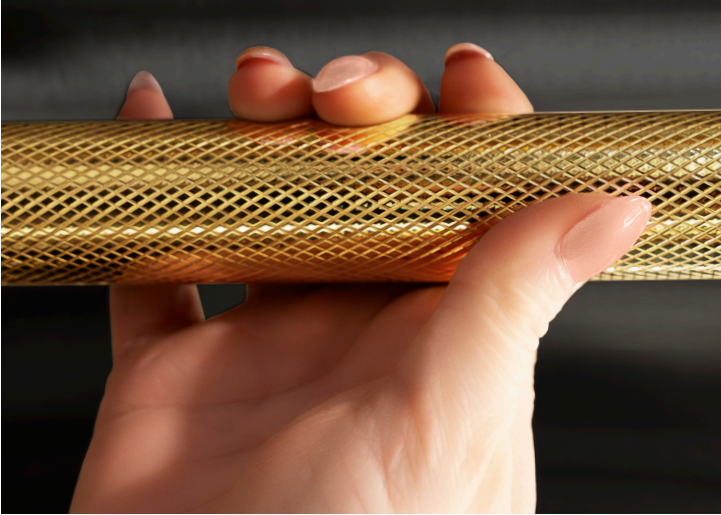
SATIN STAINLESS
STEEL

BLACK STAINLESS
STEEL

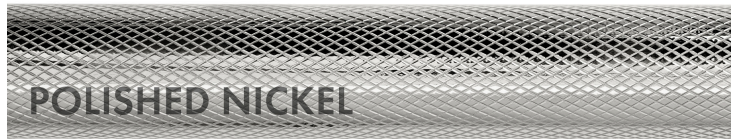
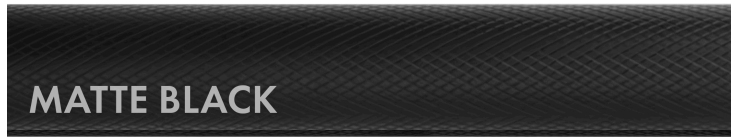
STAINLESS STEEL

AUTOGRAPH EDITION

Andrew Ferro

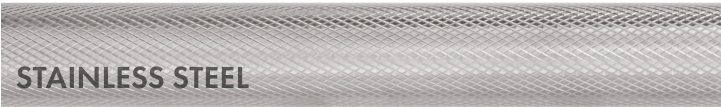
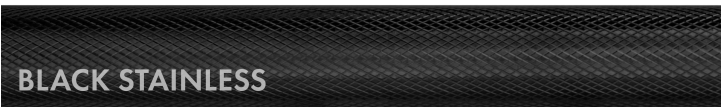


Helix Handles:
Not offered as a range bundle SKU. Handle must be purchased separately.



STANDARD HELIX HANDLE SET (SET OF 1)

Black Stainless Steel Helix Handle	SGZ-054B-K-BS
Stainless Steel Helix Handle	SGZ-054B-K-ST



AUTOGRAPH HELIX HANDLE (SET OF 1)

Polished Gold Helix Handle	SGZ-054B-K-G
Champagne Bronze Helix Handle	SGZ-054B-K-CB
Matte Black Helix Handle	SGZ-054B-K-MB
Polished Nickel Helix Handle	SGZ-054B-K-PN

RANGE + COLORED DOOR

Stainless Steel
With White Matte Doors



STAINLESS STEEL

Black Matte Door	CGR-BLM-30
White Matte Door	CGR-WM-30

Satin Stainless Steel
With Black Matte Doors



SATIN STAINLESS STEEL

Black Matte Door	CGRS-BLM-30
White Matte Door	CGRS-WM-30

BRASS BURNER BUNDLE

Stainless Steel
With Brass Burners



STAINLESS STEEL

Stainless Steel	CGR-BR-30
Black Stainless Steel	CGRB-BR-30

Set of 4 Italian
Brass Burners



SATIN STAINLESS STEEL

Satin Stainless Steel	CGRS-BR-30
-----------------------	------------

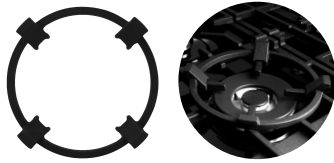
*Assembly Required: Colored doors will ship separately

*Assembly Required: Brass burners will ship separately

ZLINE KITCHEN ACCESSORIES

Range + Kitchen Compatible Accessories

ZLINE
ATTAINABLE LUXURY®



Cooktop Wok Ring | RA-005A



Cleaner/Polish | STCLT-8



Reversible Cast Iron Griddle | SR-GRNS



German Steel
15 Piece Knife Set | KSETT-GS-15



German Steel
3 Piece Knife Set | KSETT-GS-3



Japanese Damascus
3 Piece Knife Set | KSETT-JD-3



10-Piece
Stainless Steel
Cookware Set | CWSETL-ST-10



10-Piece Stainless
Steel and Ceramic
Cookware Set | CWSETL-NS-10



5-Piece Black
Matte Enameled
Cast Iron Set | CWSETS-BLM-5



5-Piece White
Matte Enameled
Cast Iron Set | CWSETS-WM-5

CONTACT INFORMATION



PHONE

Customer Service
1-614-777-5004

Dealer Assistance
1-833-597-2461



HOURS OF OPERATION

Customer Service
Monday–Friday 6:00am–4:30pm CST

Dealer Assistance
Monday–Friday 7:00am–4:00pm CST



EMAIL

Customer Service
contact@zlinekitchen.com

Dealer Assistance
dealer@zlinekitchen.com