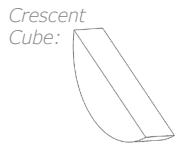




Stainless Solid  
(No Flange)



### Key Features

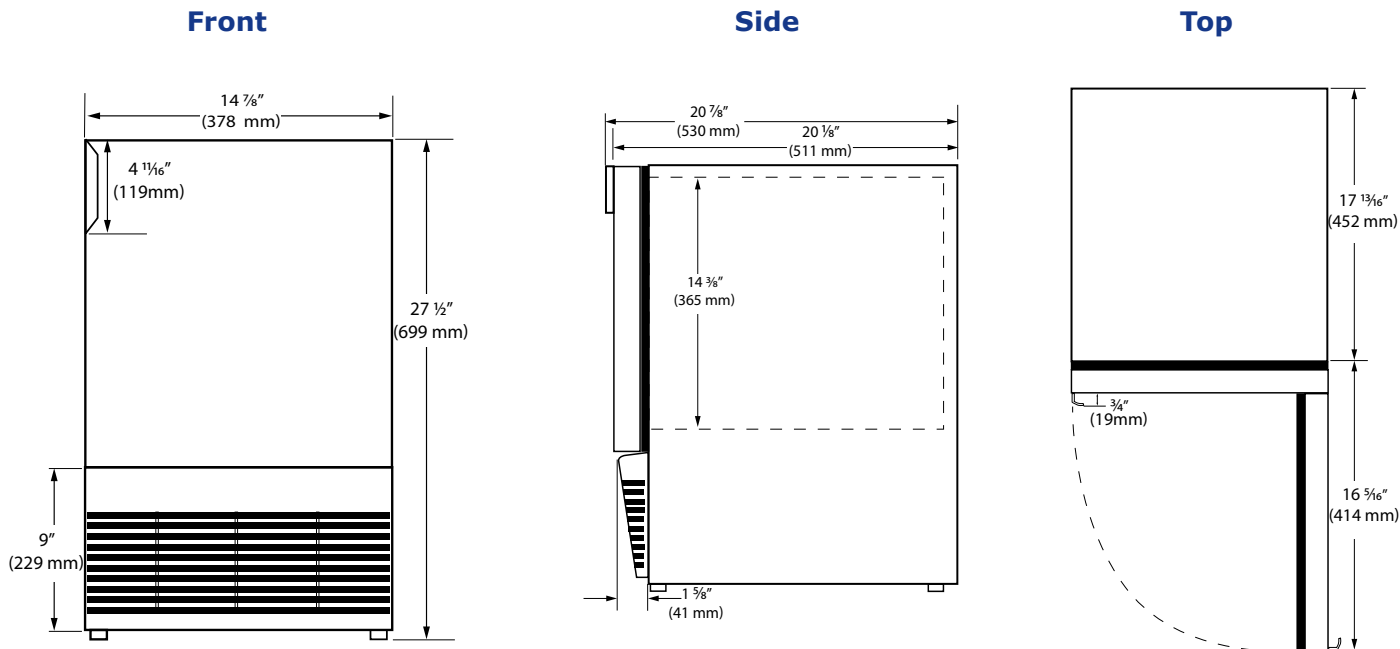
- Makes crescent shaped cubes approx. 1/2" W x 3/4" H x 2 1/4" L
- Produces up to 25 lb of ice per day
- Stores 25 lb of ice
- On / off switch
- Stainless steel handle ( 1/2" diameter)
- Field reversible door is shipped right-hand hinged
- Built-in or freestanding
- No drain required

### Model Details

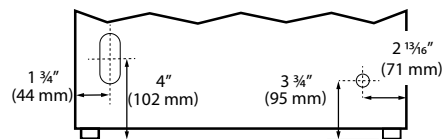
Model	Voltage/Hz	Door Swing	Finish	Shipping Weight
UMCR015-SS02A	230 / 50	Field Reversible	Stainless Solid	73 lb (33 kg)

### Accessories

Model	Description	Finish	Shipping Weight
ULAWATERHOOKUP	Braided water supply line kit	N/A	2 lb
U-POWERCORD-2056	Power Cord 230 V Great Britain/Ireland	N/A	N/A
U-POWERCORD-2256	Power Cord 230 V Australia/New Zealand	N/A	N/A
U-POWERCORD-2667	Power Cord 230 V Continental Europe	N/A	N/A
U-POWERCORD-3071	Power Cord 230 V China	N/A	N/A
U-POWERCORD-3111	Power Cord 230 V India	N/A	N/A



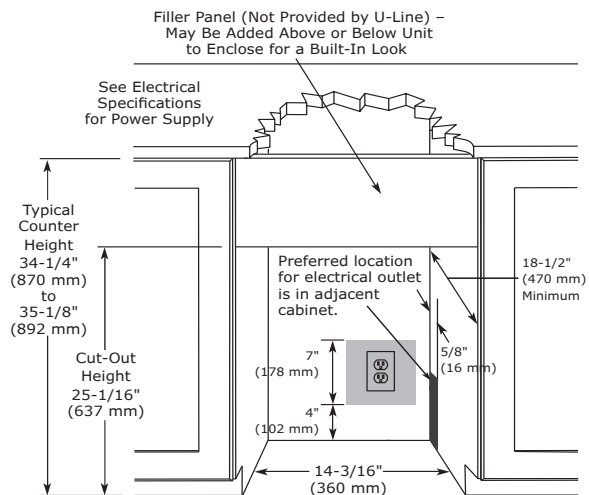
**Back**



**Specifications**

Model	MCR015
Amps: Running	1.2 amps
Amps: Max Start Up	6 amps
Ice Production Per Day	25 lb (11,3 kg)
Dimensions: Product Depth	20 1/8" (511 mm)
Dimensions: Product Height	27 1/2" (699 mm)
Dimensions: Product Width	14 7/8" (378 mm)
Energy Consumption: Avg. Per Year	TBD
Refrigerant Type	R600a
Energy Efficiency Class	TBD
Climate Class	TBD
Noise Emissions	TBD
Foam Blowing Agent	TBD

**Cabinet Cut-Out**



**Installation Notes**

- No additional clearance is needed for ventilation
- Do not obstruct front grille air flow

**Warranty**

- 1 Year (parts & labor) / 5 year sealed system (parts)
- + **Additional 1 Year (parts & labor) warranty at no cost with product registration**

See complete warranty for details

