

# UCC15NPRII

## 15" Built-In Gourmet Clear Ice Maker

### DIMENSIONS AND INSTALLATION INFORMATION (IN INCHES)

#### DIMENSIONS

H 34-1/8" to 34-7/8"

W 14-7/8"

D 22-3/4"

Depth including handle is approximately 25 1/2".

#### NOTE:

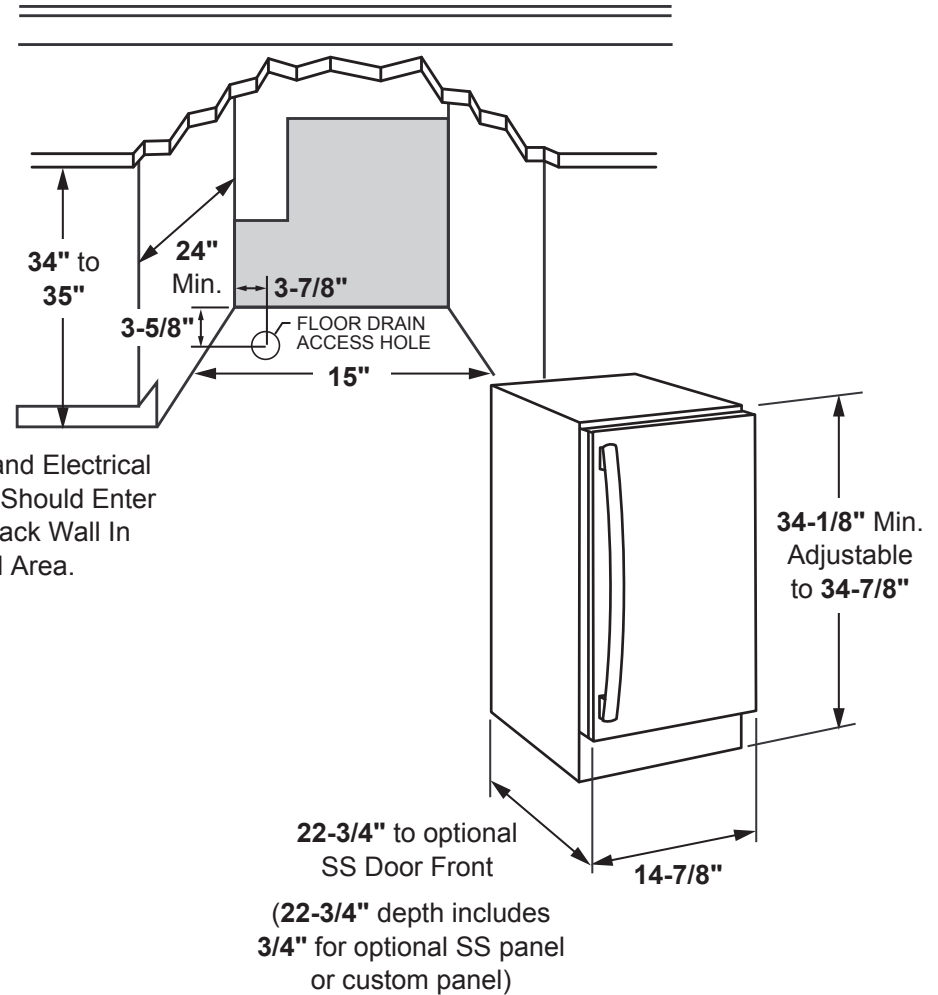
The finished cut-out is determined by the type of installation. Before installing, consult installation instructions packed with product for current dimensional data.

#### WARRANTY INFORMATION:

Limited one-year warranty, in-home service, parts and labor.\*

Limited five-year warranty, parts and labor on the compressor, evaporator and all connecting tubing.\*

\*See written warranty for complete details.



For answers to your Monogram, GE Café™, GE Profile™ or GE Appliances product questions, visit our website at [geappliances.com](http://geappliances.com) or call GE Answer Center® Service, 800.626.2000.

# UCC15NPR11

## *15" Built-In Gourmet Clear Ice Maker*

### INSTALLATION INFORMATION

The ice machine can be used free-standing or as a built-in, under the countertop.

The ice machine requires a 115 Volt or 110 Volt, 60 Hz., AC only power supply, with an individual, properly grounded branch circuit, protected by a 15 amp fuse or circuit breaker.

**Pump Kit UPK4 can be installed, which can force drain water up to a maximum of 10 feet, allowing it to be located where a gravity drain isn't available.**

To achieve a custom appearance, the ice machine door accepts 3/4" custom panels to coordinate or contrast with cabinetry. Optional door panels and handle kits are available. Order PKIUG150RSS for stainless steel door panel kit with Profile handle. CKIUPI150RS1/D1/W2 for stainless steel, matte black and matte white door panel kits with Café handle. ZKIUNI150RS for stainless steel door panel kit with Monogram Statement handle. (Monogram handles sold separately - see list of model numbers below).

### PANEL AND HANDLE KITS BELOW

#### Panel Kits:

PKIUG150RSS (Profile)  
CKIUPI150RS1/D1/W2 (Café)  
ZKIUNI150RS (Monogram)

#### Handle Kits:

Brushed Stainless Handle Kit CXQW1H1PPSS  
Brushed Black Handle Kit CXQW1H1PPBT  
Brushed Bronze Handle Kit CXQW1H1PPBZ  
Brushed Copper Handle Kit CXQW1H1PPCU  
Minimalist - Brushed SS Handle Kit Monogram ZXGPIH1CPSS  
Statement - Brushed SS Handle Kit Monogram ZXGPIH1PPSS



*For answers to your Monogram, GE Café™, GE Profile™ or GE Appliances product questions, visit our website at [geappliances.com](http://geappliances.com) or call GE Answer Center® Service, 800.626.2000.*

# UCC15NPRII

## 15" Built-In Gourmet Clear Ice Maker

### FEATURES AND BENEFITS

Produces Up To 65 Pounds of Ice Per Day\*

Ice Storage Capacity: 26 lbs.

ADA Compliant: No

Energy Star: No

Panel Kit: PKIUG150RSS (Profile), CKIUP150RS1/D1/W2 (Café), ZKIUN150RS (Monogram)

Handle Kits: CXQW1H1PPSS, CXQW1H1PPBT, CXQW1H1PPBZ, CXQW1H1PPCU,  
ZXGPIH1CPSS, ZXGPIH1PPSS

Drain Pump Kit: Yes

Water Filtration: Inline (GSWF)

Ice Type: Clear

Clean indicator: Light on unit/app notification alerts when it's time to change water filter

Filter indicator: Light on unit/app notification alerts when it's time to change water filter

F/S or BI Capable: Yes

Indoor/Outdoor Capable: Indoor

Smart Capable: Yes

Control Type: Cap Touch Electronic Control

Soft Touch Ice Scoop: Yes

Internal Lighting: LED light

Optional drain pump kit UPK4 is available

Optional door and handle kits available

Model UCC15NPRII – Panel ready



*\*In a 24 hour period, the icemaker produces up to 65 pounds of ice in a 70 degree ambient/50 degree water temperature, or up to 48 pounds in a 90 degree ambient/70 degree water temperature.*